



US00D801345S

(12) **United States Design Patent** (10) **Patent No.:** **US D801,345 S**  
**Kujawski et al.** (45) **Date of Patent:** **\*\* Oct. 31, 2017**

(54) **CONTROLLER SUPPORT STAND**

(71) Applicant: **Microsoft Corporation**, Redmond, WA (US)

(72) Inventors: **Christopher Kujawski**, Seattle, WA (US); **Carl J. Ledbetter**, Mercer Island, WA (US); **Navin Kumar**, Seattle, WA (US)

(73) Assignee: **Microsoft Corporation**, Redmond, WA (US)

(\*\*) Term: **15 Years**

(21) Appl. No.: **29/567,657**

(22) Filed: **Jun. 10, 2016**

(51) **LOC (10) Cl.** ..... **14-02**

(52) **U.S. Cl.**  
USPC ..... **D14/447**

(58) **Field of Classification Search**  
USPC ..... D14/138, 247, 341-346, 391-399, 434, D14/451, 455-457, 447; D18/1, 2, 7, 11, D18/4.1-4.6, 24-28; 178/17 A, 17 C; 200/5 A, 5 R, 6 A, 6 R, 341; 235/145 A, 235/145 R; 341/22, 23; 345/160, 168, 345/169; 361/679.08, 679.09, 679.11, 361/679.12; 400/484-489, 492, 682; 455/418, 550.1, 556.2, 575.1, 575.3, 455/575.4; D21/500, 503, 505; D25/113  
CPC ..... H03M 11/00; H01H 13/14; H01H 13/84; B41J 5/00; B41J 5/12; B41J 5/10; H03K 17/94; G06F 1/1626; G06F 1/1632; G06F 1/1616; G06F 3/0221; A47B 23/043; A47B 23/001; A47B 2023/049; A47B 97/08; A47B 23/002; A47B 23/00; A47B 83/02; A47C 7/70; B44D 3/02; A63H 33/08; A63H 33/10; A63H 33/105

See application file for complete search history.

(56) **References Cited**

U.S. PATENT DOCUMENTS

D220,400 S *	4/1971	Essman .....	D21/503
6,854,220 B2 *	2/2005	Dueck .....	E02D 29/025
			405/286
D515,709 S *	2/2006	Charon .....	D25/113
D647,525 S *	10/2011	Seto .....	D14/434
D657,741 S *	4/2012	Fahrendorff .....	D13/108
D661,309 S *	6/2012	Murrer .....	D14/447
D668,662 S *	10/2012	Suiter .....	D14/447
D672,350 S *	12/2012	Gioscia .....	D14/434
D700,614 S *	3/2014	Hamblet .....	D14/447
D709,075 S *	7/2014	Miniard .....	D14/447
D741,336 S *	10/2015	Miniard .....	D14/447
2015/0373440 A1 *	12/2015	Fontana .....	H04R 1/025
			381/388

\* cited by examiner

*Primary Examiner* — Freda S Nunn

(74) *Attorney, Agent, or Firm* — Banner & Witcoff, Ltd.

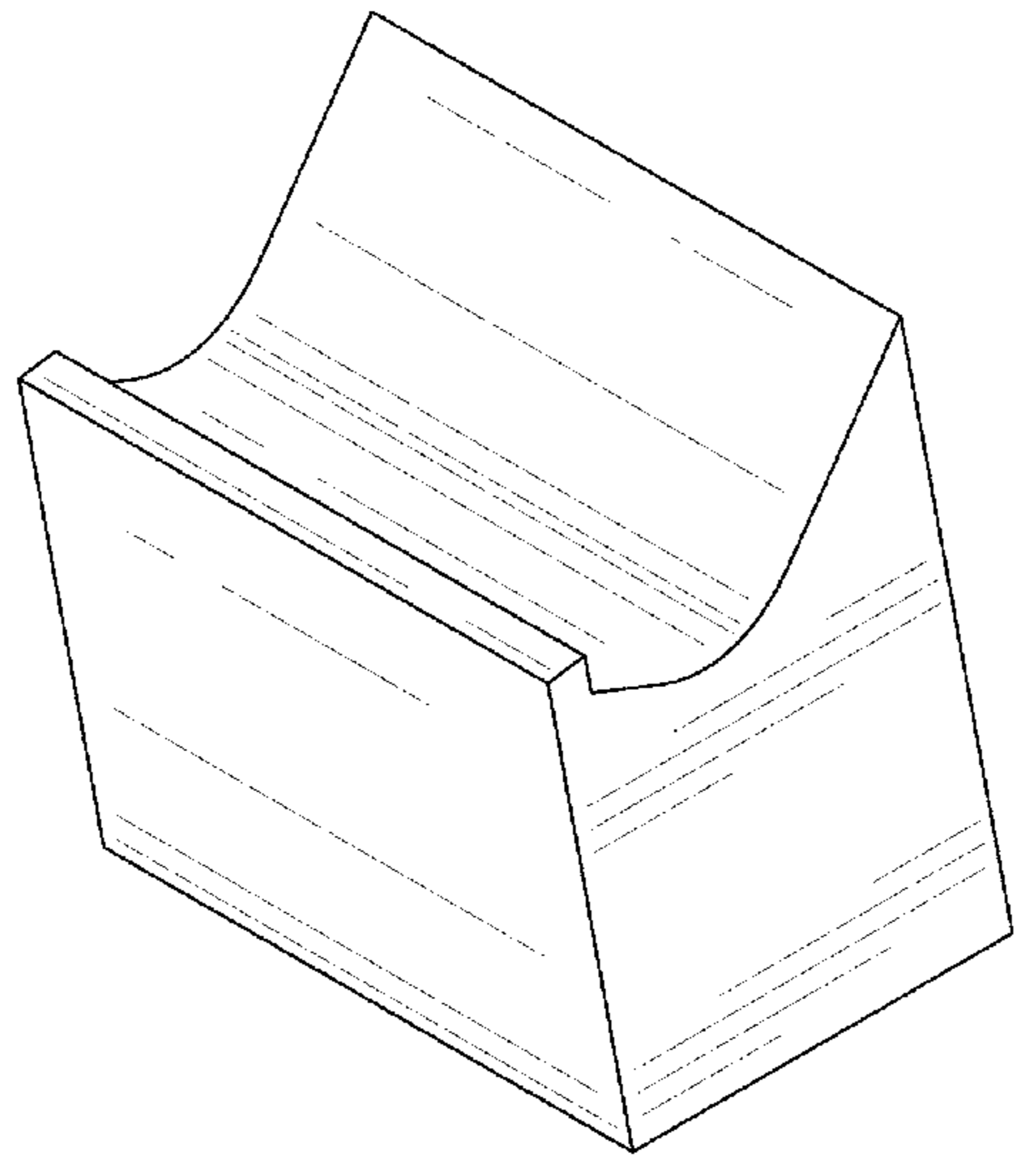
(57) **CLAIM**

The ornamental design for a controller support stand, as shown and described.

**DESCRIPTION**

FIG. 1 is a front perspective view of a controller support stand showing our new design;  
 FIG. 2 is a front view thereof;  
 FIG. 3 is a rear view thereof;  
 FIG. 4 is a right side view thereof;  
 FIG. 5 is a left side view thereof;  
 FIG. 6 is a top view thereof; and,  
 FIG. 7 is a bottom view thereof.

**1 Claim, 4 Drawing Sheets**



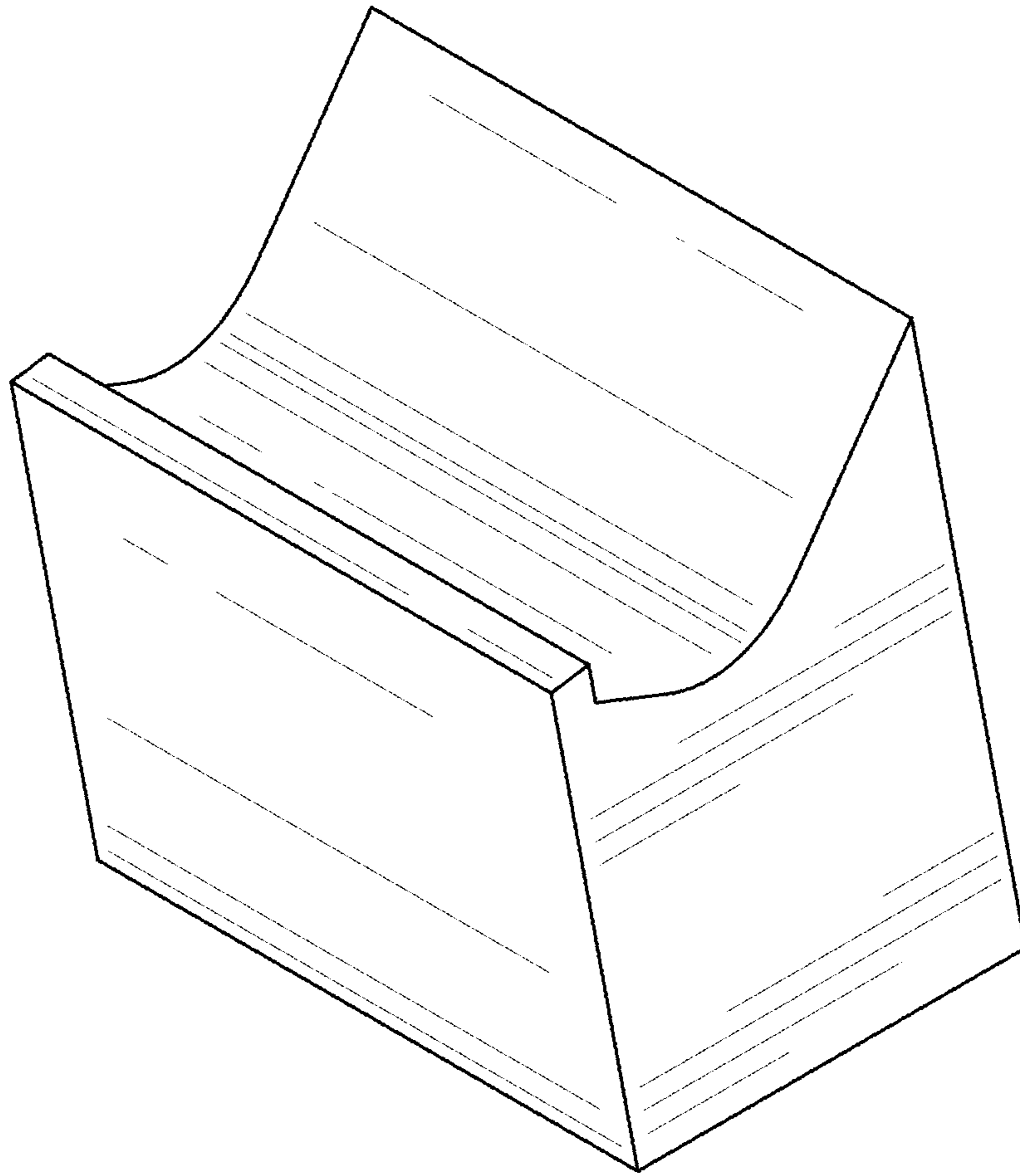


FIG. 1

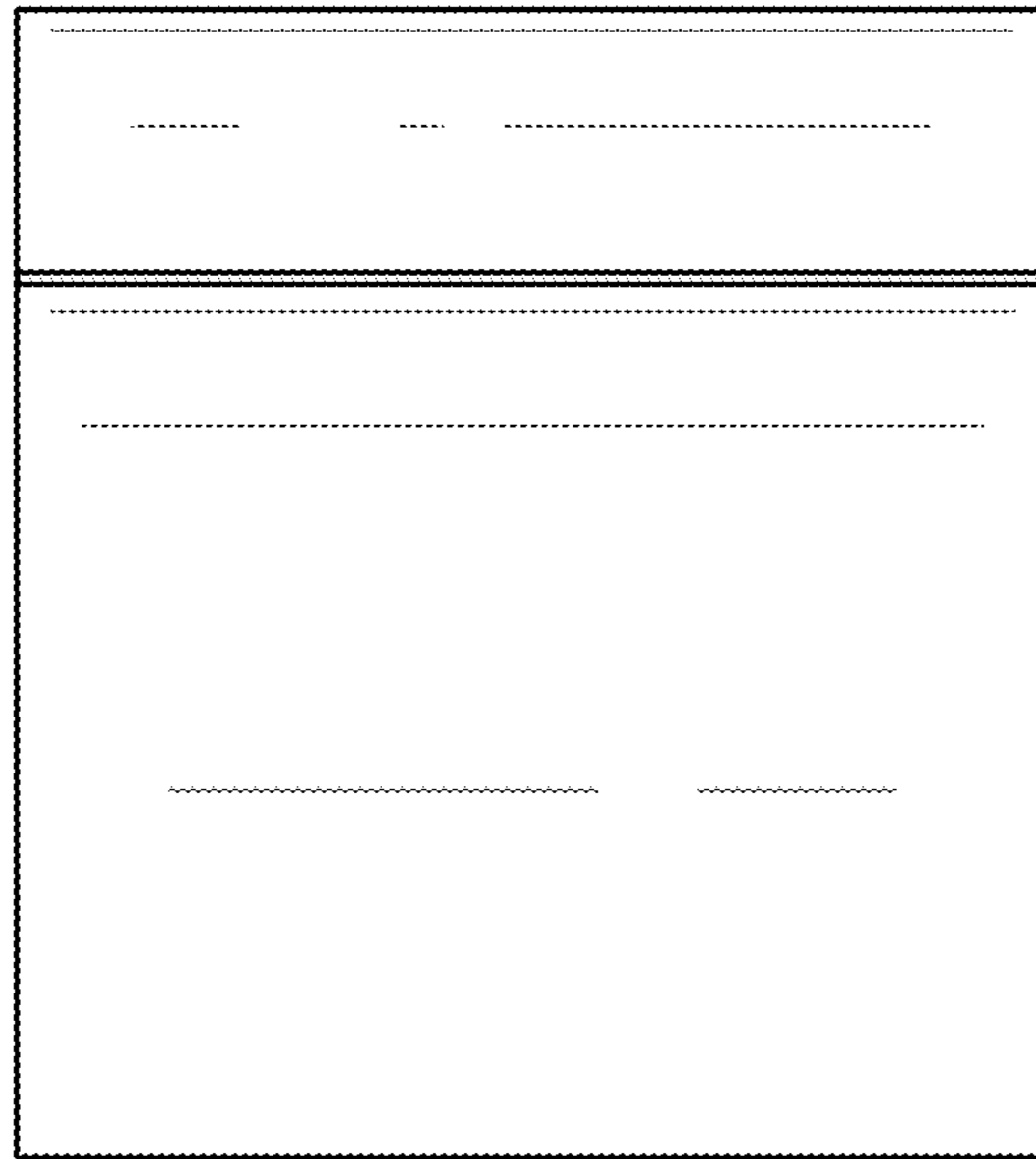


FIG. 2

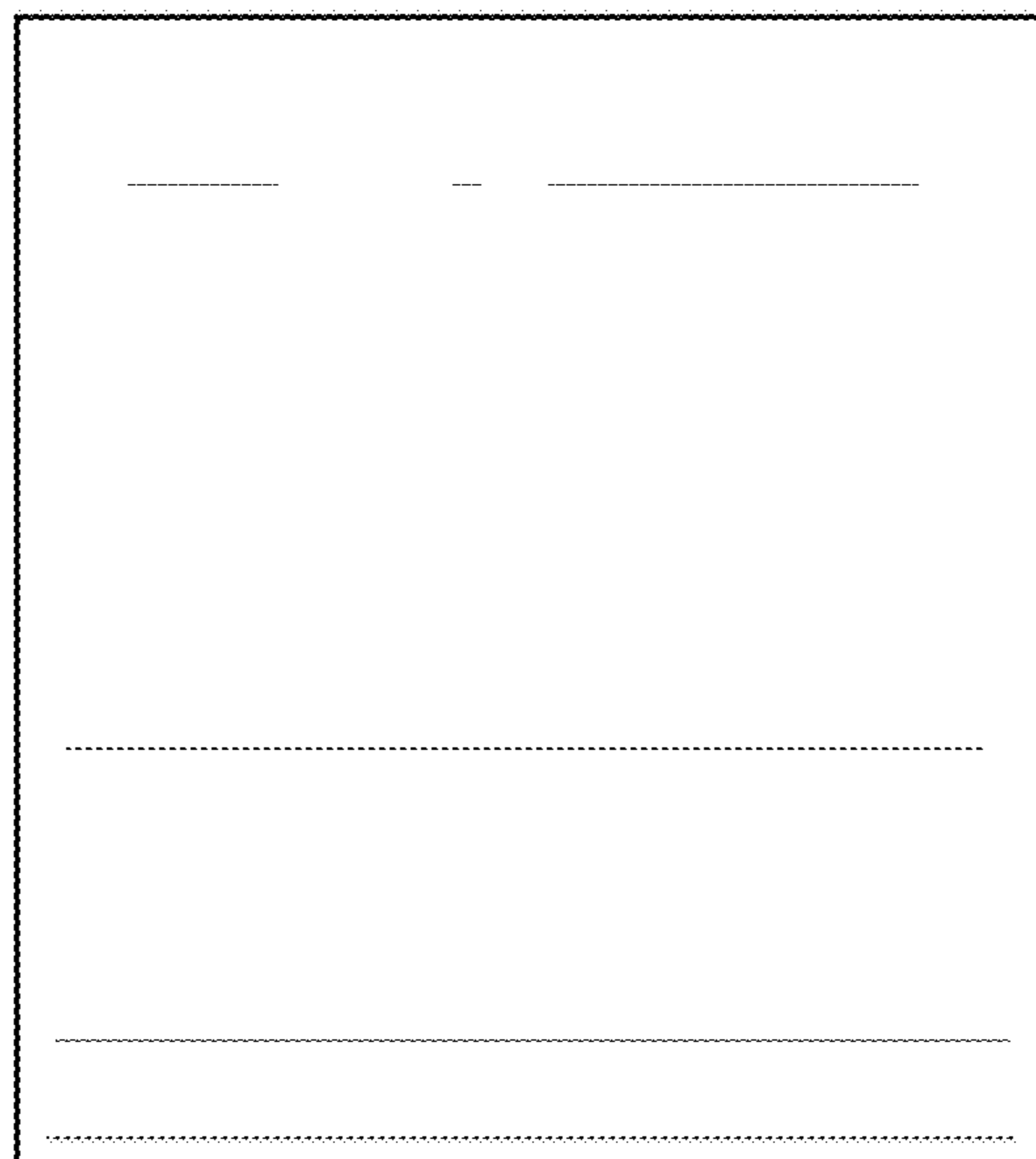


FIG. 3

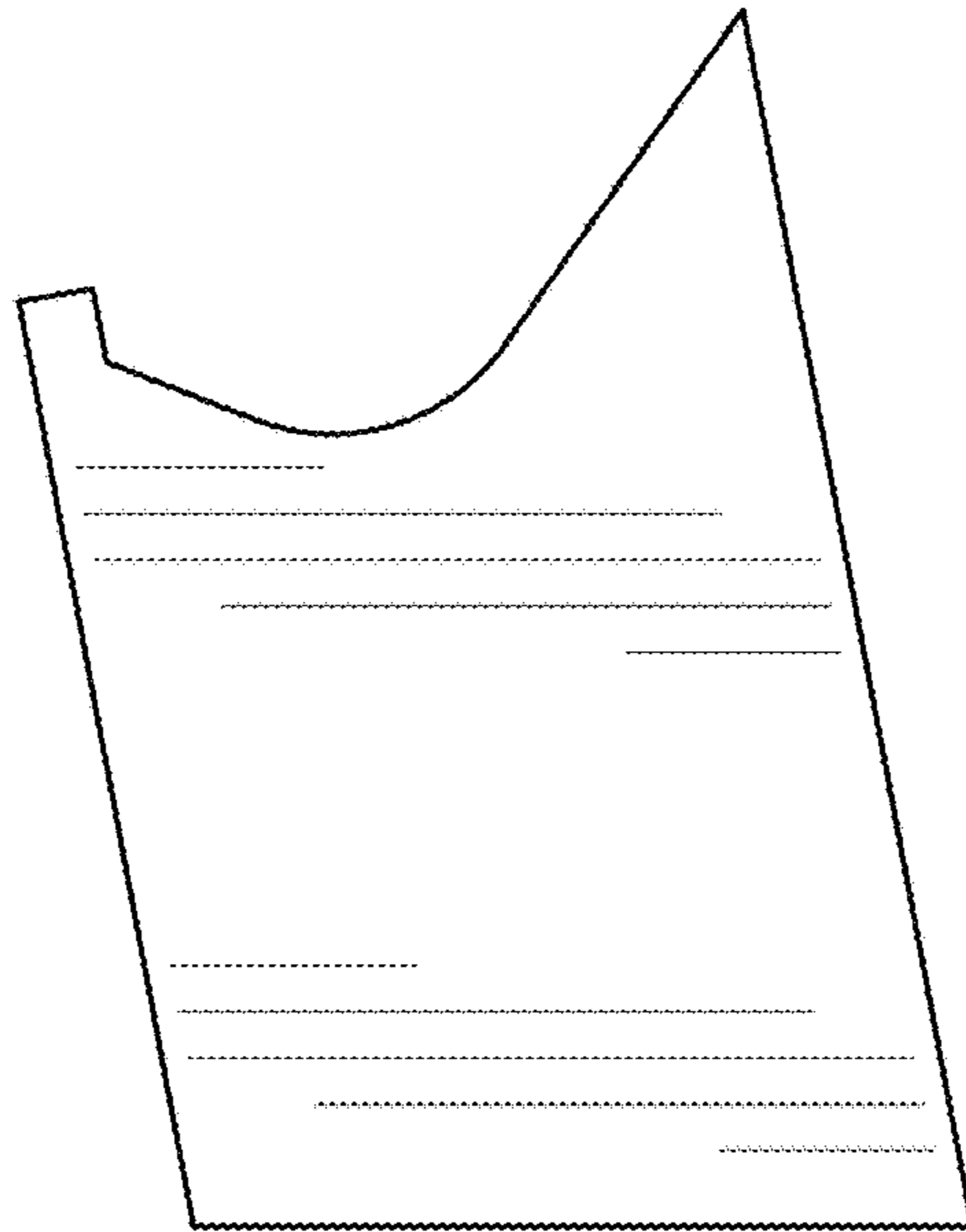


FIG. 4

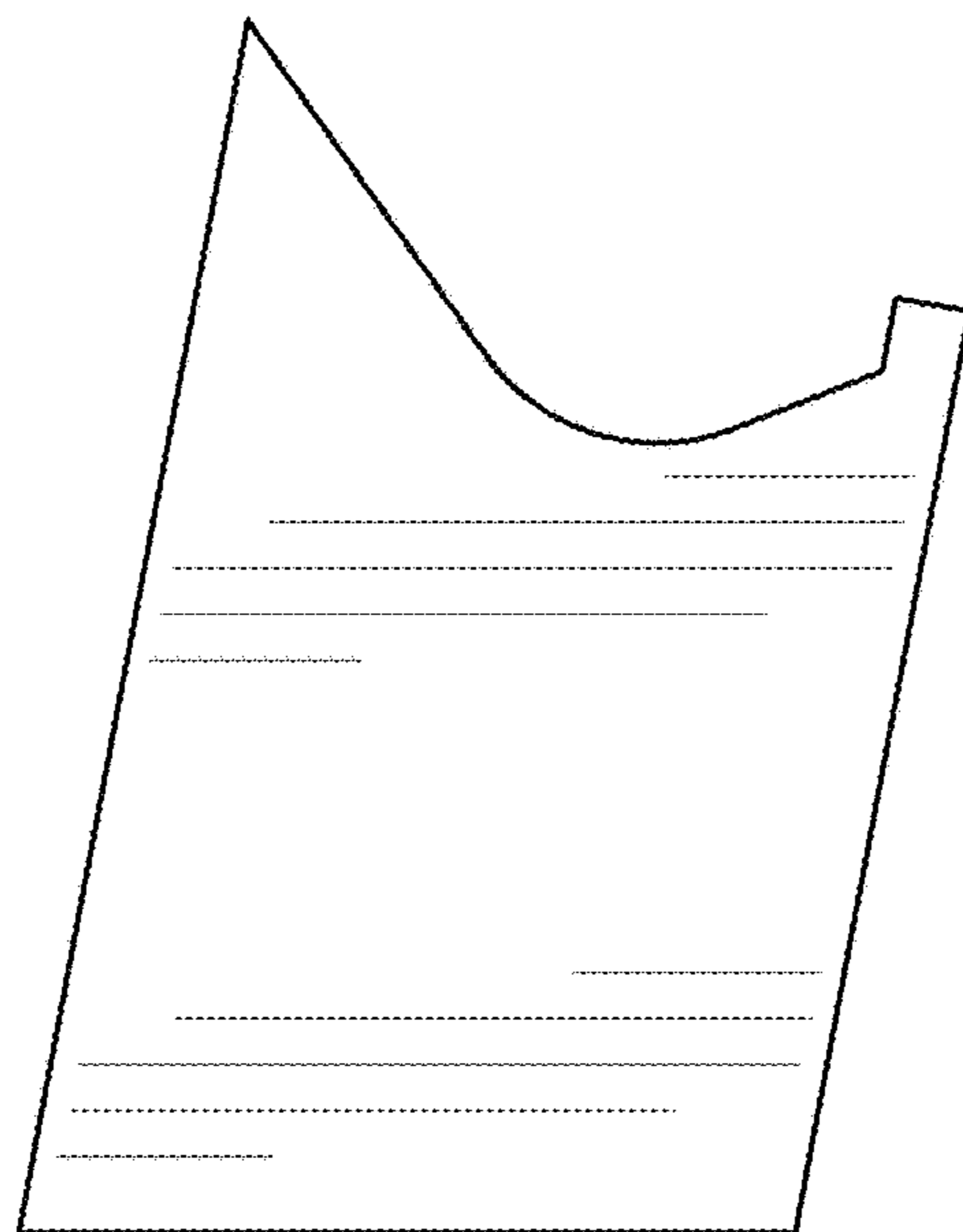


FIG. 5

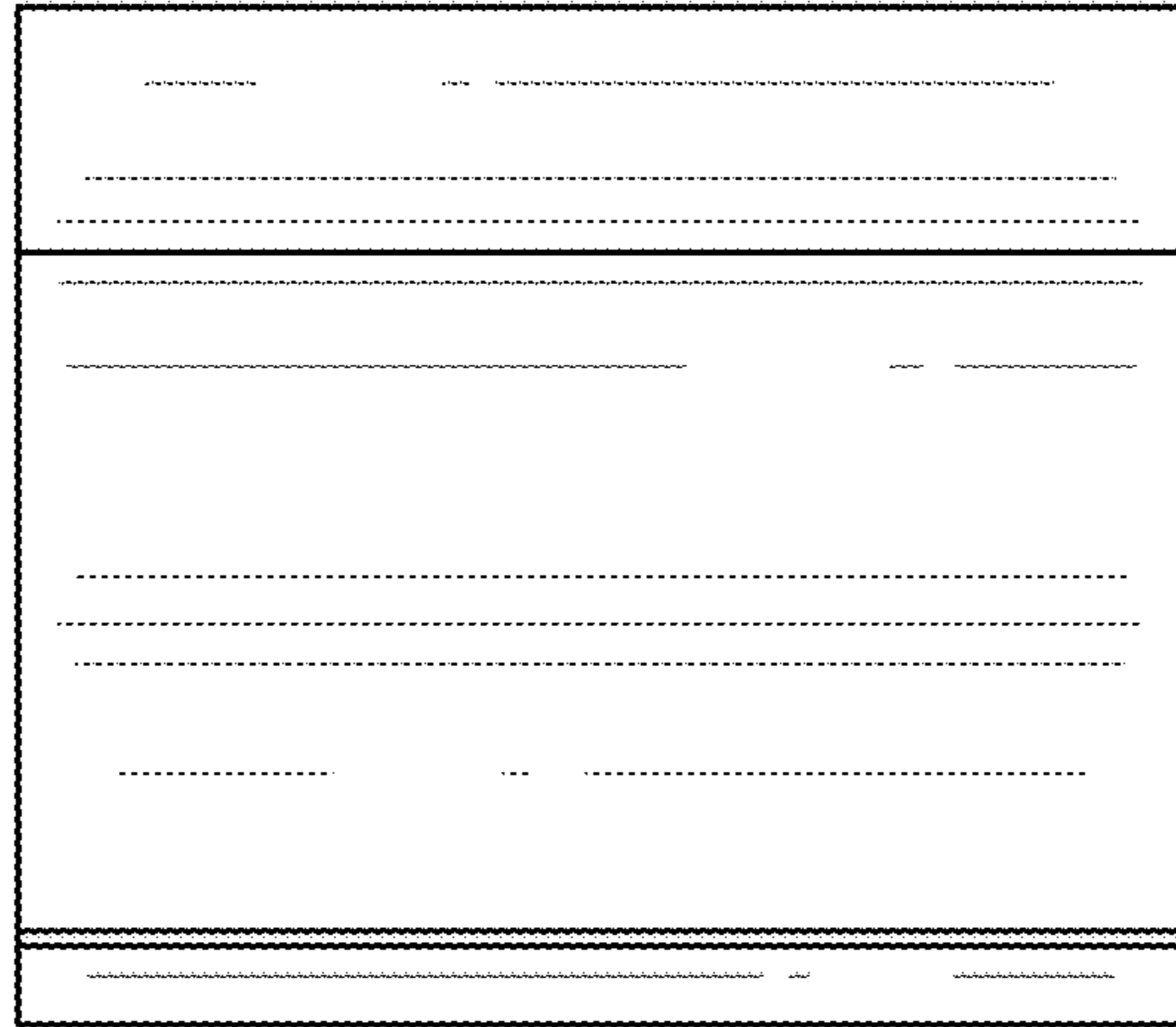


FIG. 6

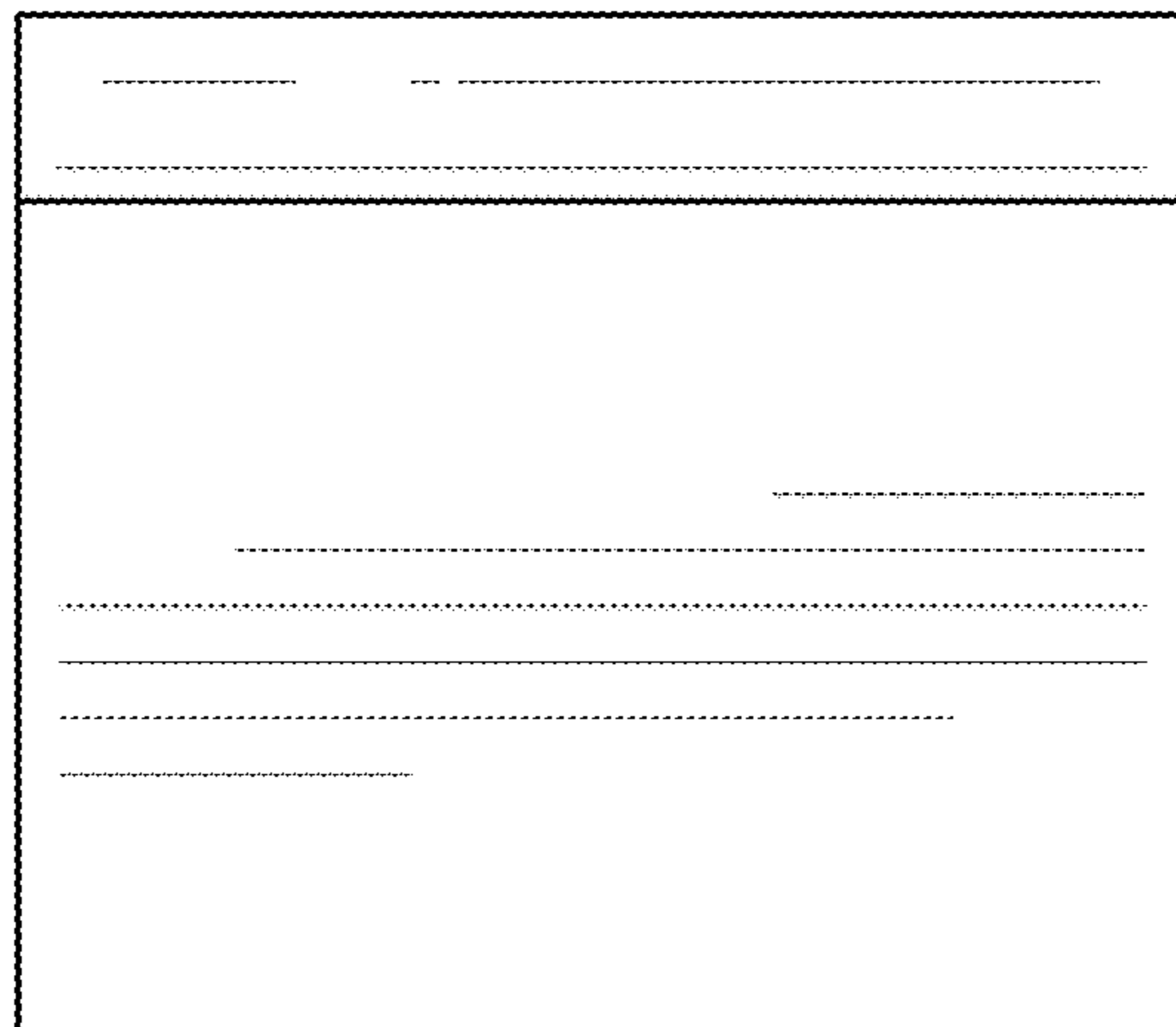


FIG. 7