



US00D801344S

(12) **United States Design Patent** (10) **Patent No.:** **US D801,344 S**
Zurschmiede et al. (45) **Date of Patent:** **** Oct. 31, 2017**

(54) **COMPUTER SUPPORT**

(71) Applicant: **Colebrook Bosson Saunders (Products) Limited**, London (GB)

(72) Inventors: **Silas Zurschmiede**, London (GB); **Simon Bibby**, London (GB)

(73) Assignee: **Colebrook Bosson Saunders (Products) Limited**, London (GB)

(**) Term: **15 Years**

(21) Appl. No.: **29/561,414**

(22) Filed: **Apr. 15, 2016**

(30) **Foreign Application Priority Data**

Oct. 15, 2015 (EM) 002823351-001

Oct. 15, 2015 (EM) 002823351-002

(51) **LOC (10) Cl.** **08-07**

(52) **U.S. Cl.**
USPC **D14/447**

(58) **Field of Classification Search**
USPC D14/447, 432, 434, 439, 440, 451, 452, D14/457, 239; D8/363, 373, 380; D6/406.3, 406.4, 406.5, 406.6; D12/415
CPC A47B 21/04; A47B 2097/006; A47B 2097/005; A47B 2023/049; A45C 2011/002; A45C 2011/003; F16M 2200/00; F16M 13/00

See application file for complete search history.

(56) **References Cited**

U.S. PATENT DOCUMENTS

| | | | | |
|--------------|---------|-----------|-------|---------|
| D604,737 S * | 11/2009 | Symons | | D14/434 |
| D621,406 S * | 8/2010 | Hoehn | | D14/447 |
| D641,367 S * | 7/2011 | Morabito | | D14/434 |
| D641,368 S * | 7/2011 | Mcparland | | D14/434 |
| D693,820 S * | 11/2013 | Eastwood | | D14/432 |
| D712,350 S * | 9/2014 | Smith | | D13/108 |
| D726,187 S * | 4/2015 | Young | | D14/434 |
| D733,143 S * | 6/2015 | Yun | | D14/434 |
| D733,548 S * | 7/2015 | Brown | | D14/447 |
| D743,409 S * | 11/2015 | Chen | | D14/447 |
| D745,014 S * | 12/2015 | Vales | | D14/447 |
| D756,366 S * | 5/2016 | Floersch | | D14/447 |
| D769,861 S * | 10/2016 | Sun | | D14/253 |

* cited by examiner

Primary Examiner — Angela J Lee

(74) *Attorney, Agent, or Firm* — Michael Best & Friedrich LLP

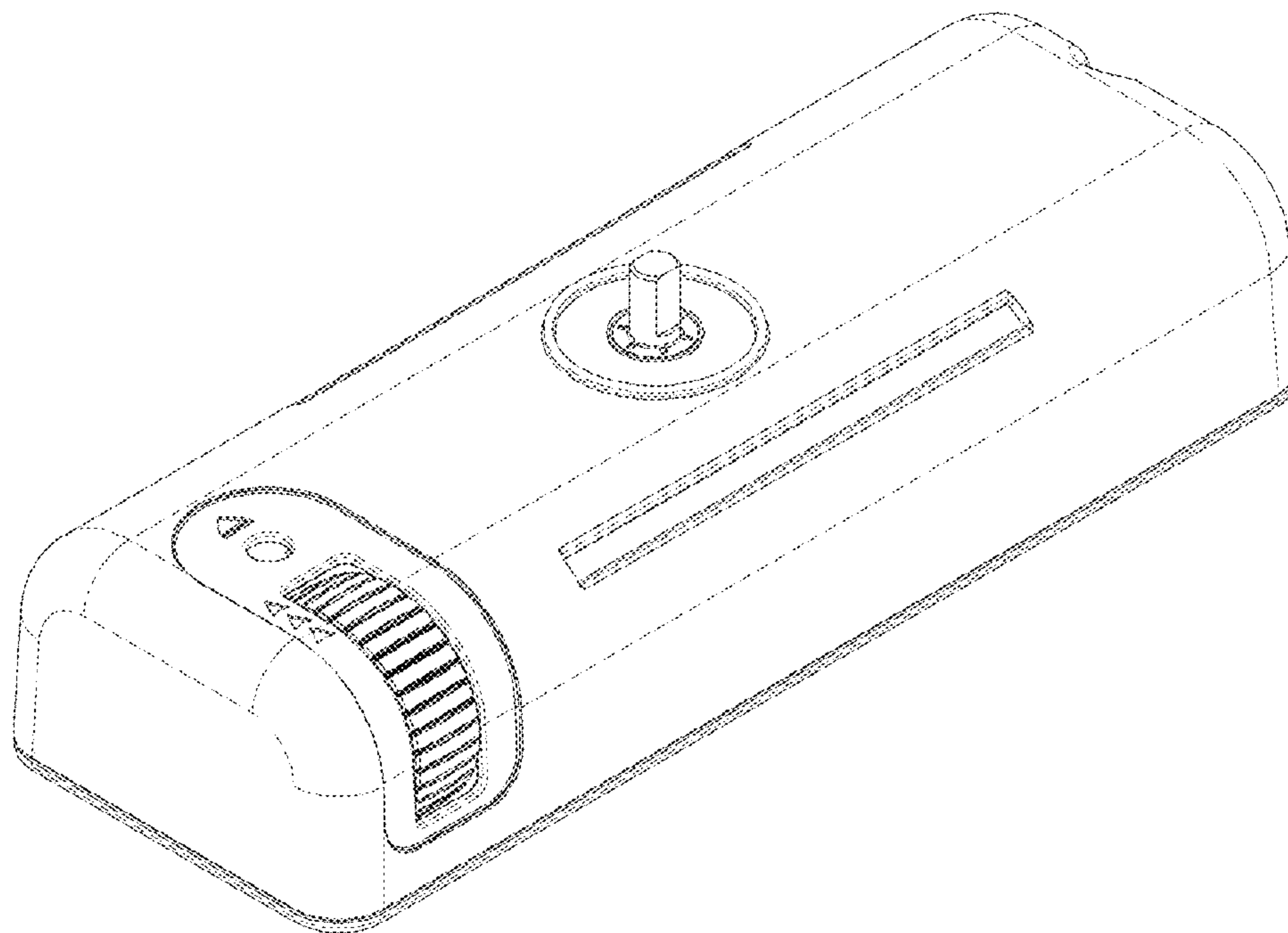
(57) **CLAIM**

The ornamental design for a computer support, as shown and described.

DESCRIPTION

FIG. 1 is a perspective view of an embodiment of the design; FIG. 2 is another perspective view of FIG. 1; FIG. 3 is a front view of FIG. 1; FIG. 4 is a bottom side view of FIG. 1; FIG. 5 is a top view of FIG. 1; FIG. 6 is a left side view of FIG. 1; and, FIG. 7 is a right side view of FIG. 1.

1 Claim, 4 Drawing Sheets



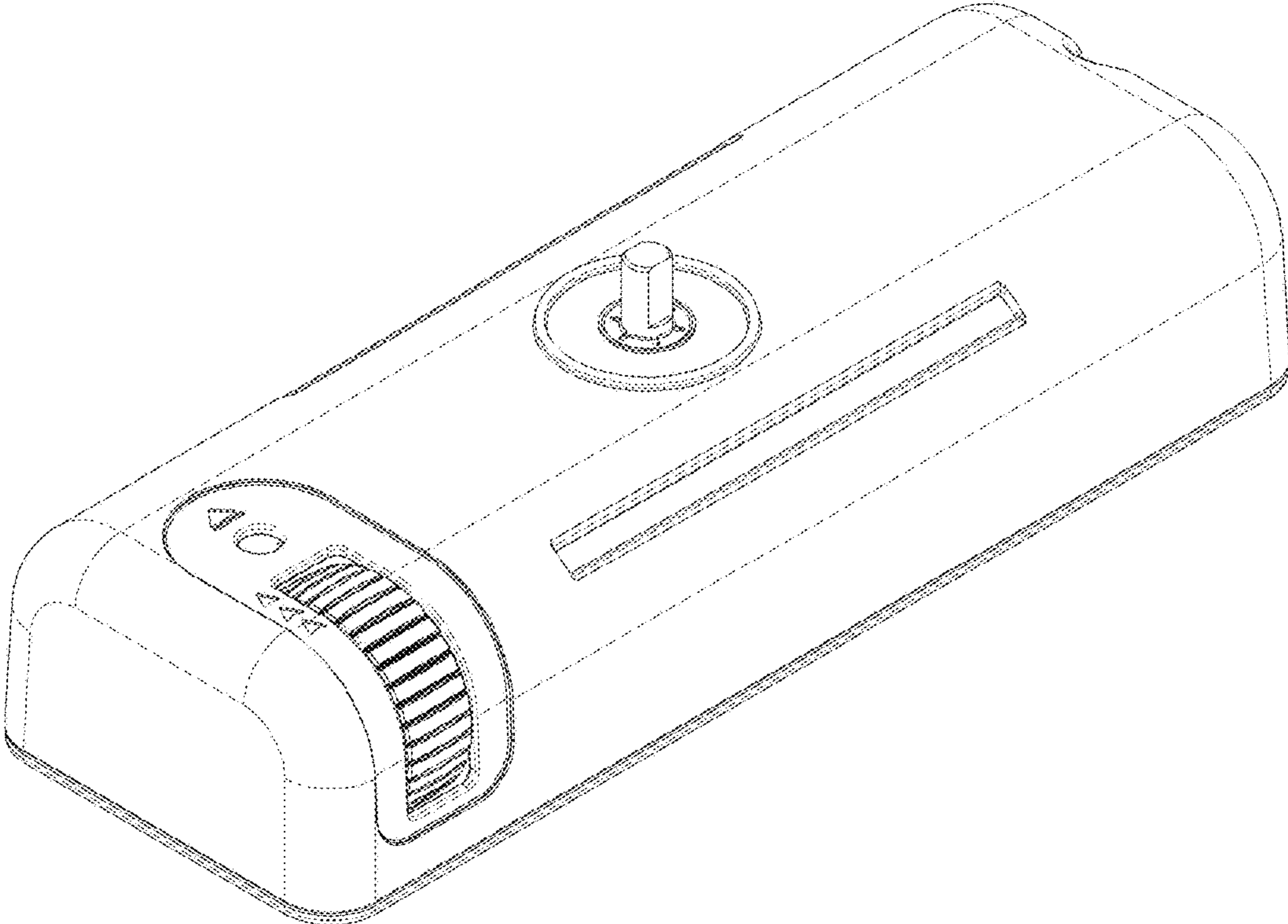


FIG. 1

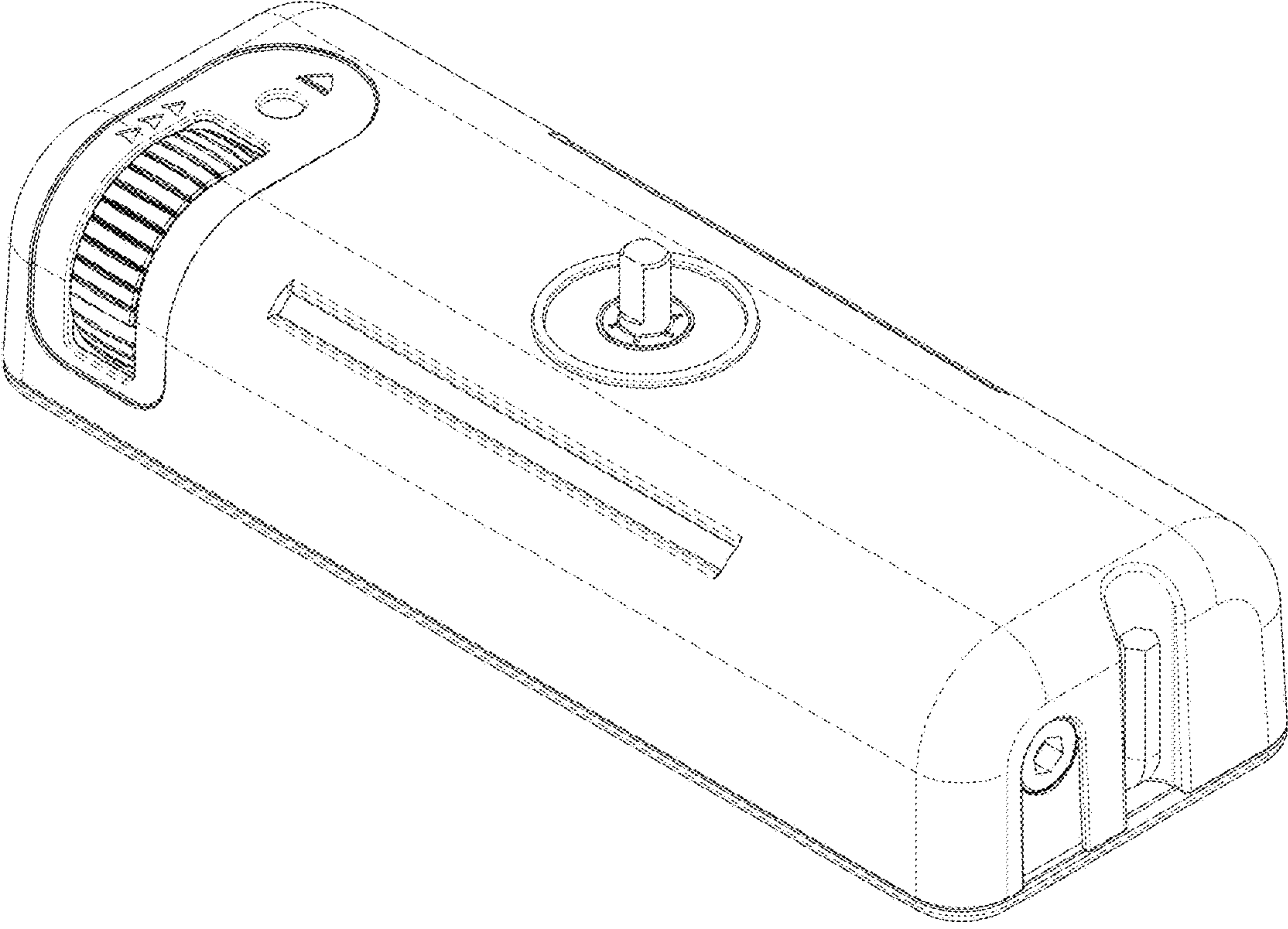


FIG. 2

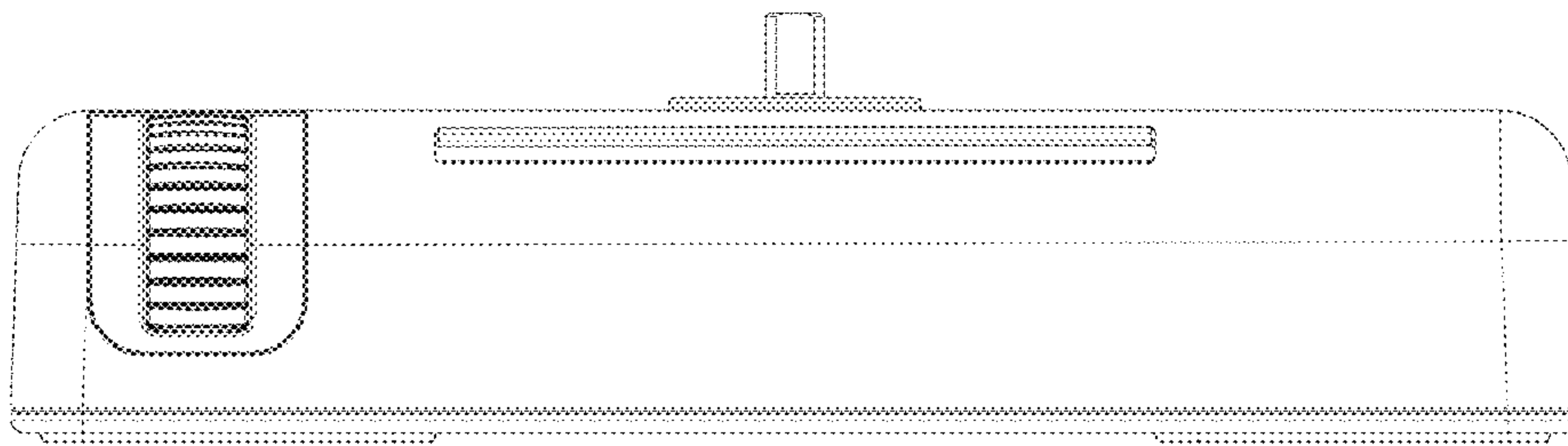


FIG. 3



FIG. 4

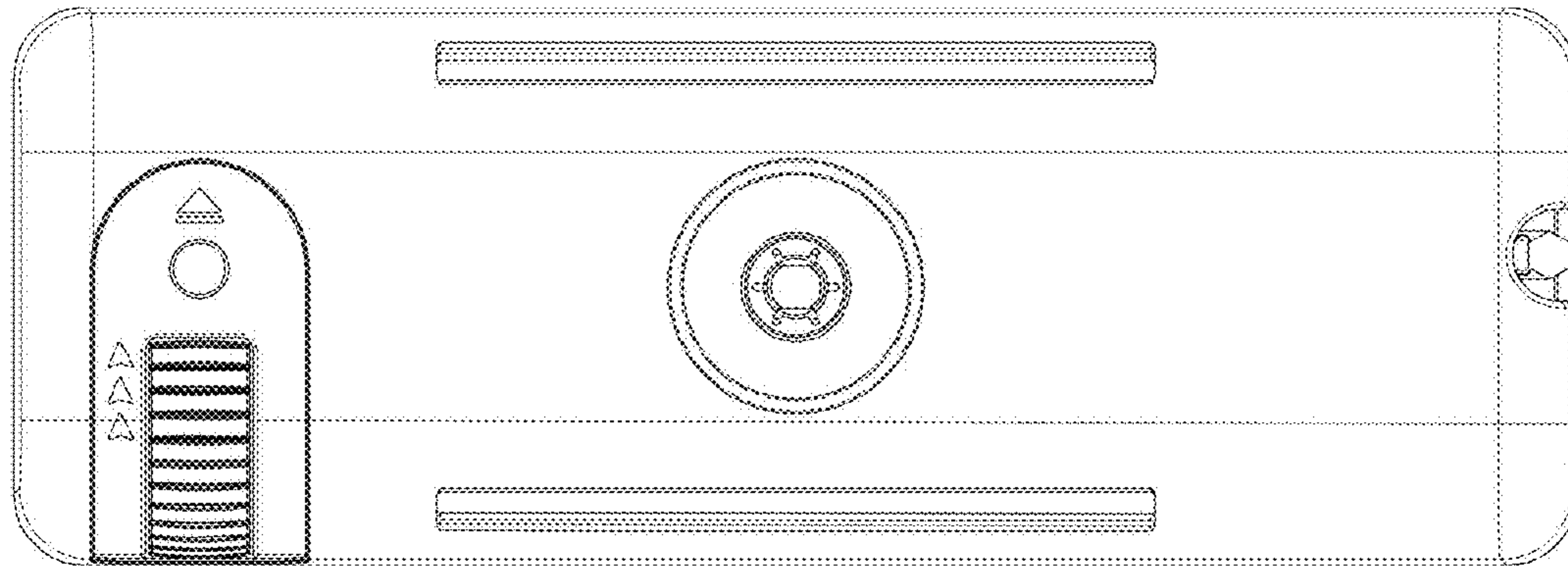


FIG. 5

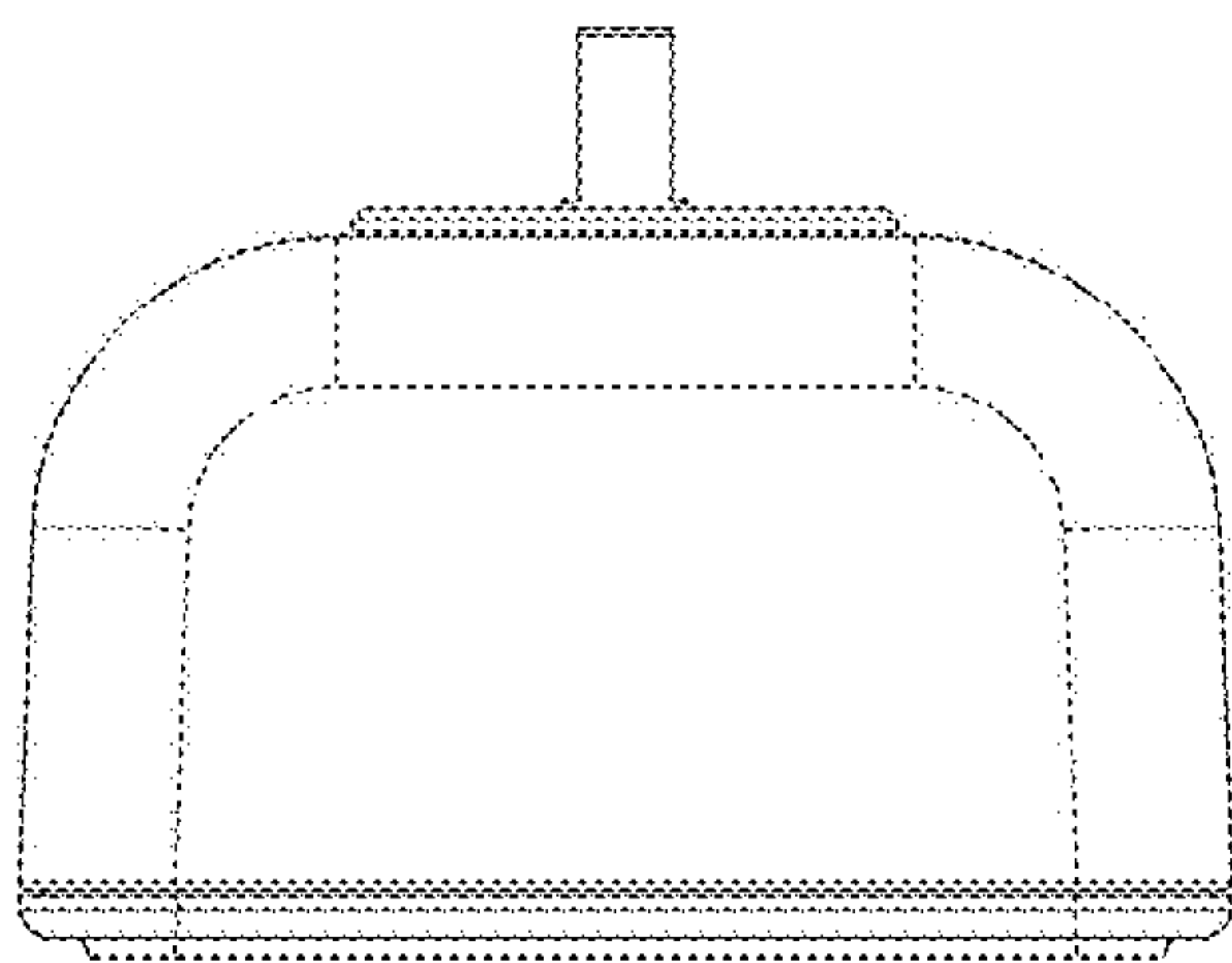


FIG. 6

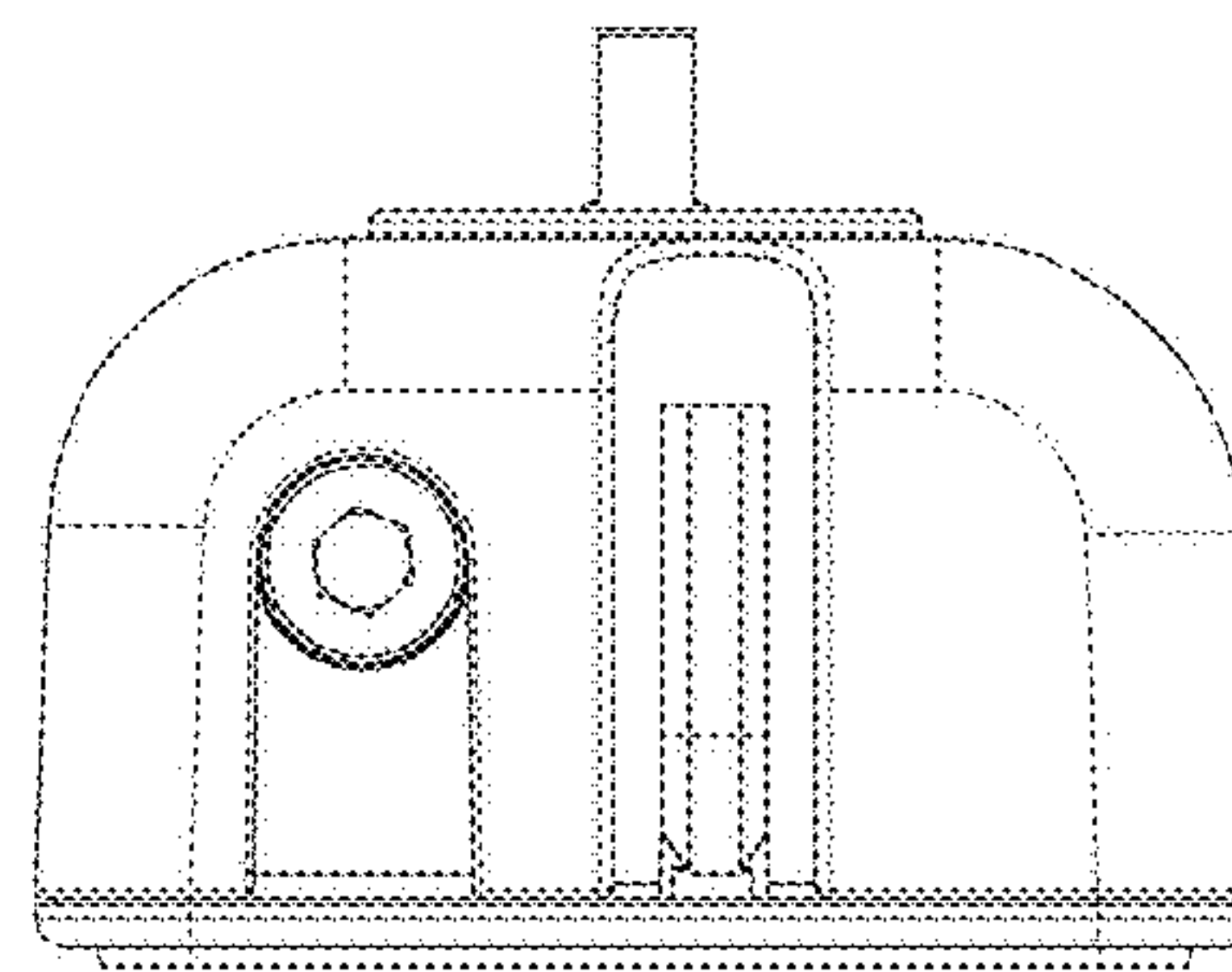


FIG. 7