



US00D801340S

(12) **United States Design Patent**
Kim

(10) **Patent No.:** **US D801,340 S**
(45) **Date of Patent:** **** Oct. 31, 2017**

(54) **USB TYPE WIRELESS COMMUNICATION DEVICE**

(71) Applicant: **Hello Factory Co., Ltd.**, Seoul (KR)

(72) Inventor: **Kyung Min Kim**, Seoul (KR)

(73) Assignee: **HELLO FACTORY CO., LTD.** (KR)

(**) Term: **15 Years**

(21) Appl. No.: **29/581,687**

(22) Filed: **Oct. 20, 2016**

(51) **LOC (10) Cl.** **14-02**

(52) **U.S. Cl.**
USPC **D14/435.1**

(58) **Field of Classification Search**
USPC D14/480.1–480.7, 435.1, 411, 433, 436,
D14/484.1, 137, 155, 203.1–203.8, 240,
D14/242; D13/133, 154
CPC H05K 5/0278; G06K 19/07732
See application file for complete search history.

(56) **References Cited**

U.S. PATENT DOCUMENTS

D444,788 S * 7/2001 Do H05K 5/0278
D14/480.6
D505,957 S * 6/2005 Liu D14/480.5

D508,493 S * 8/2005 Liu D14/480.5
D532,776 S * 11/2006 Griffin D14/435.1
D566,114 S * 4/2008 Chu D14/480.6
D580,436 S * 11/2008 Kiyomiya D14/435.1
D624,924 S * 10/2010 Lee D14/480.5
D626,098 S * 10/2010 Jayaram D14/125
D627,356 S * 11/2010 Kao D14/435.1
D672,351 S * 12/2012 Camacho D14/435.1
D708,190 S * 7/2014 An D13/108
D708,191 S * 7/2014 An D13/144
D743,401 S * 11/2015 Shimano D14/435.1

* cited by examiner

Primary Examiner — Angela J Lee

(74) *Attorney, Agent, or Firm* — Renaissance IP Law Group LLP

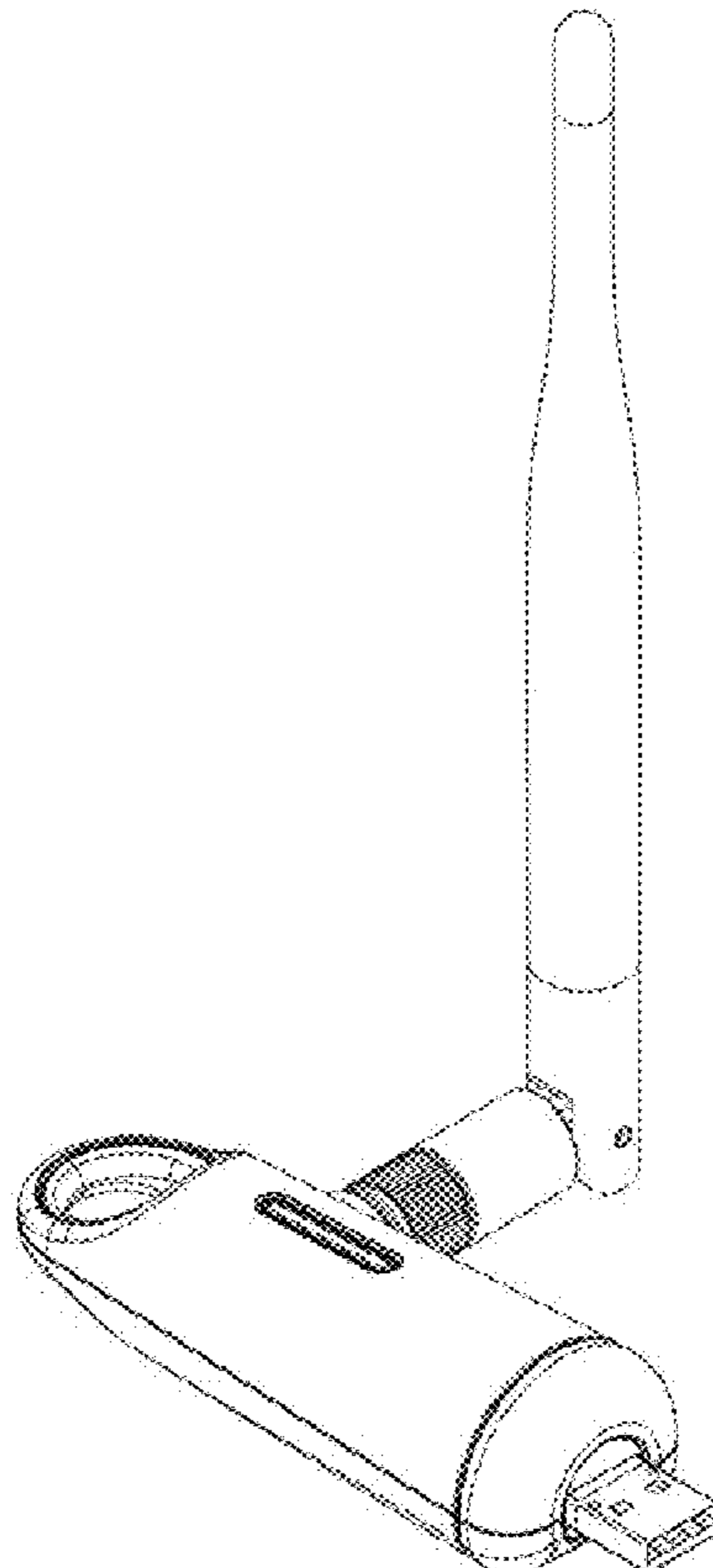
(57) **CLAIM**

The ornamental design for a USB type wireless communication device, as shown and described.

DESCRIPTION

FIG. 1 is a perspective view illustrating a three-dimensional appearance of my new design;
FIG. 2 is a front view thereof;
FIG. 3 is a rear view thereof;
FIG. 4 is a left side view thereof;
FIG. 5 is a right side view thereof;
FIG. 6 is a top view thereof; and,
FIG. 7 is a bottom view thereof.

1 Claim, 7 Drawing Sheets



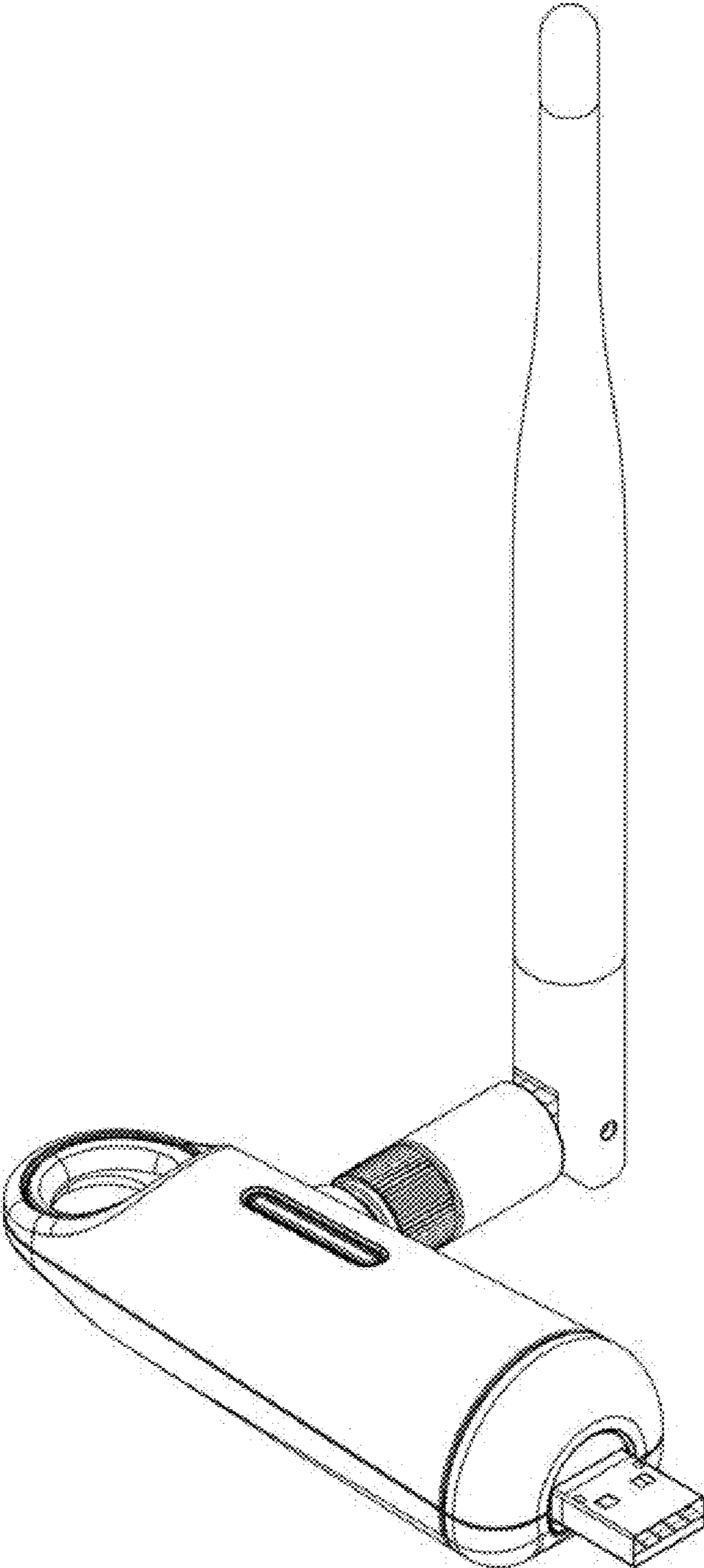


FIG. 1

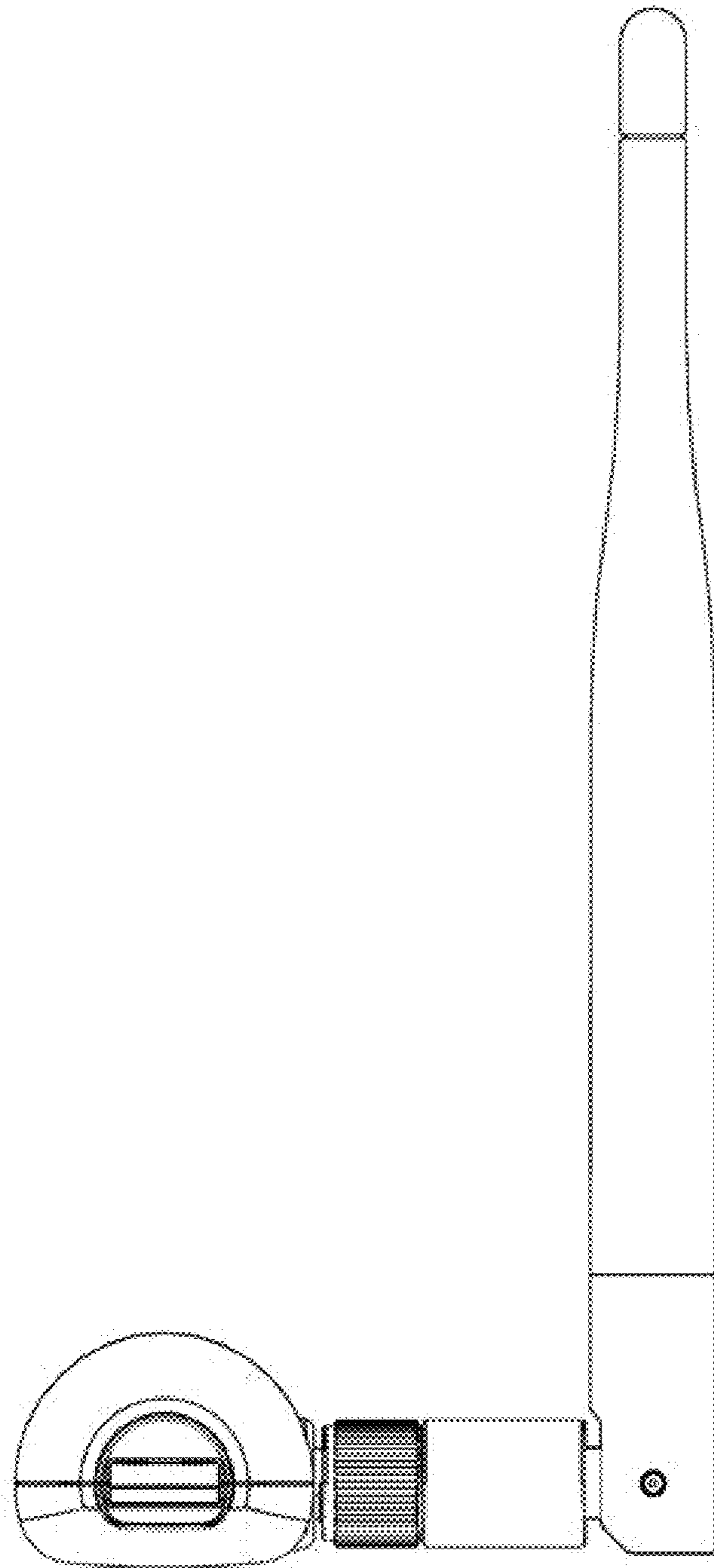


FIG. 2

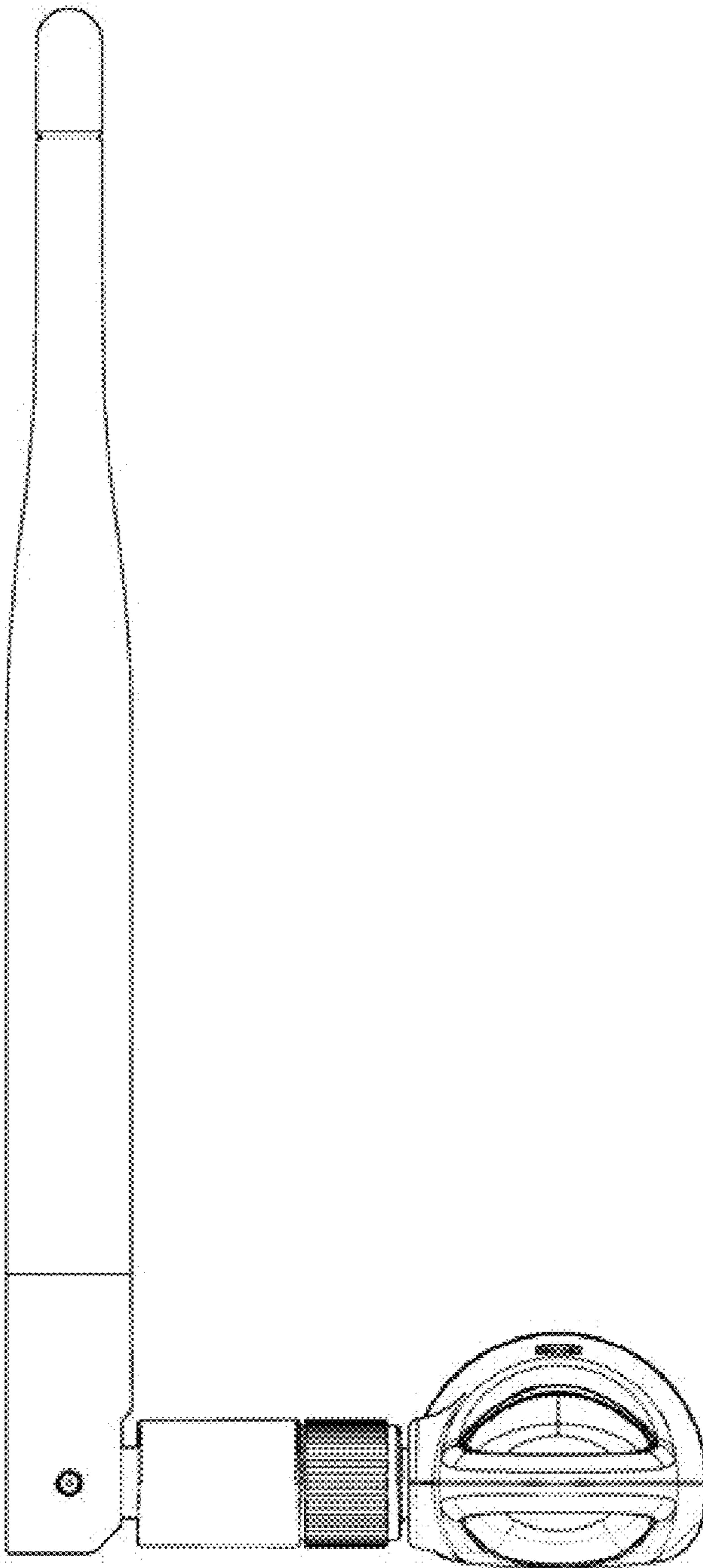


FIG. 3

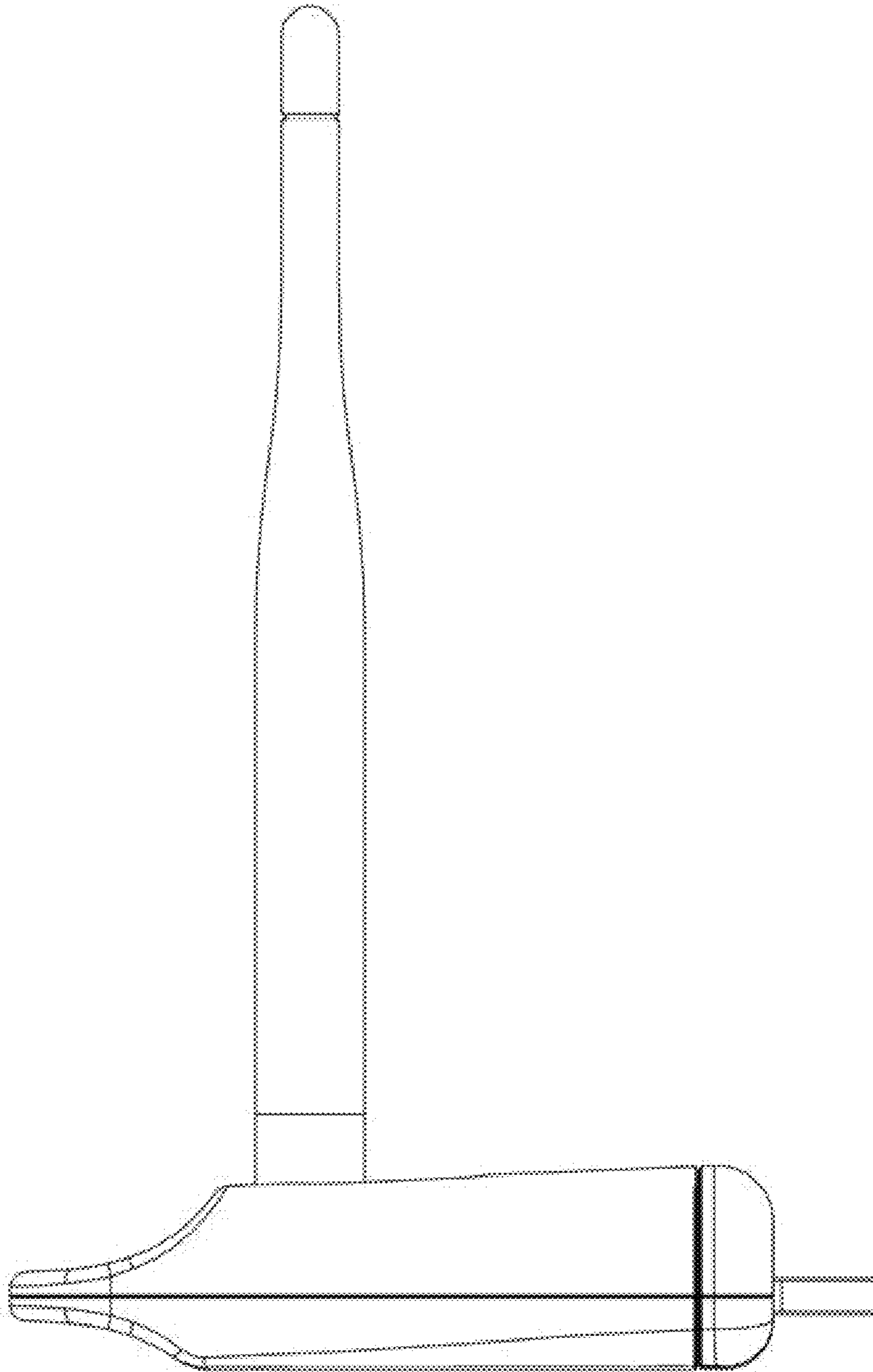


FIG. 4

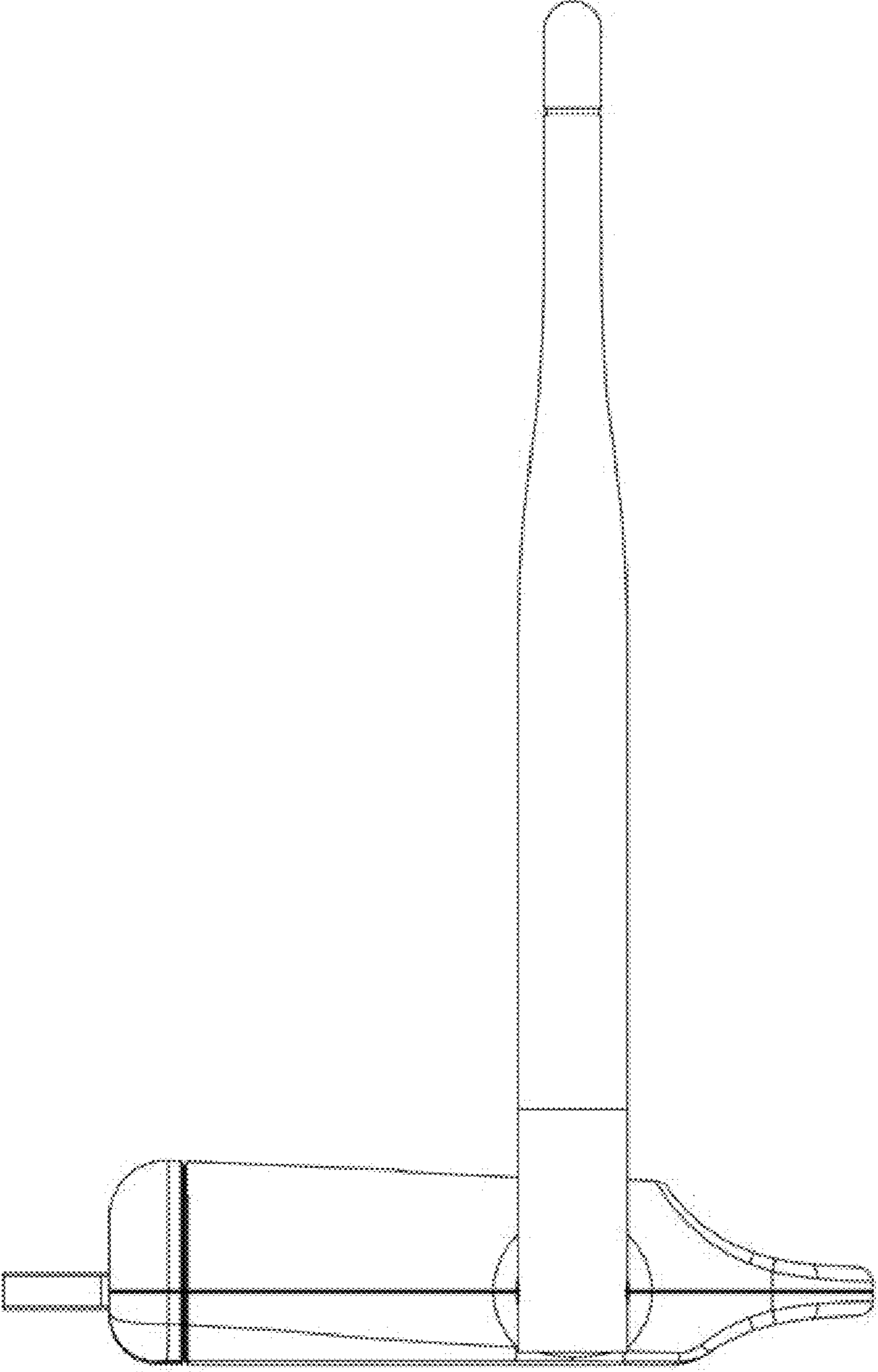


FIG. 5

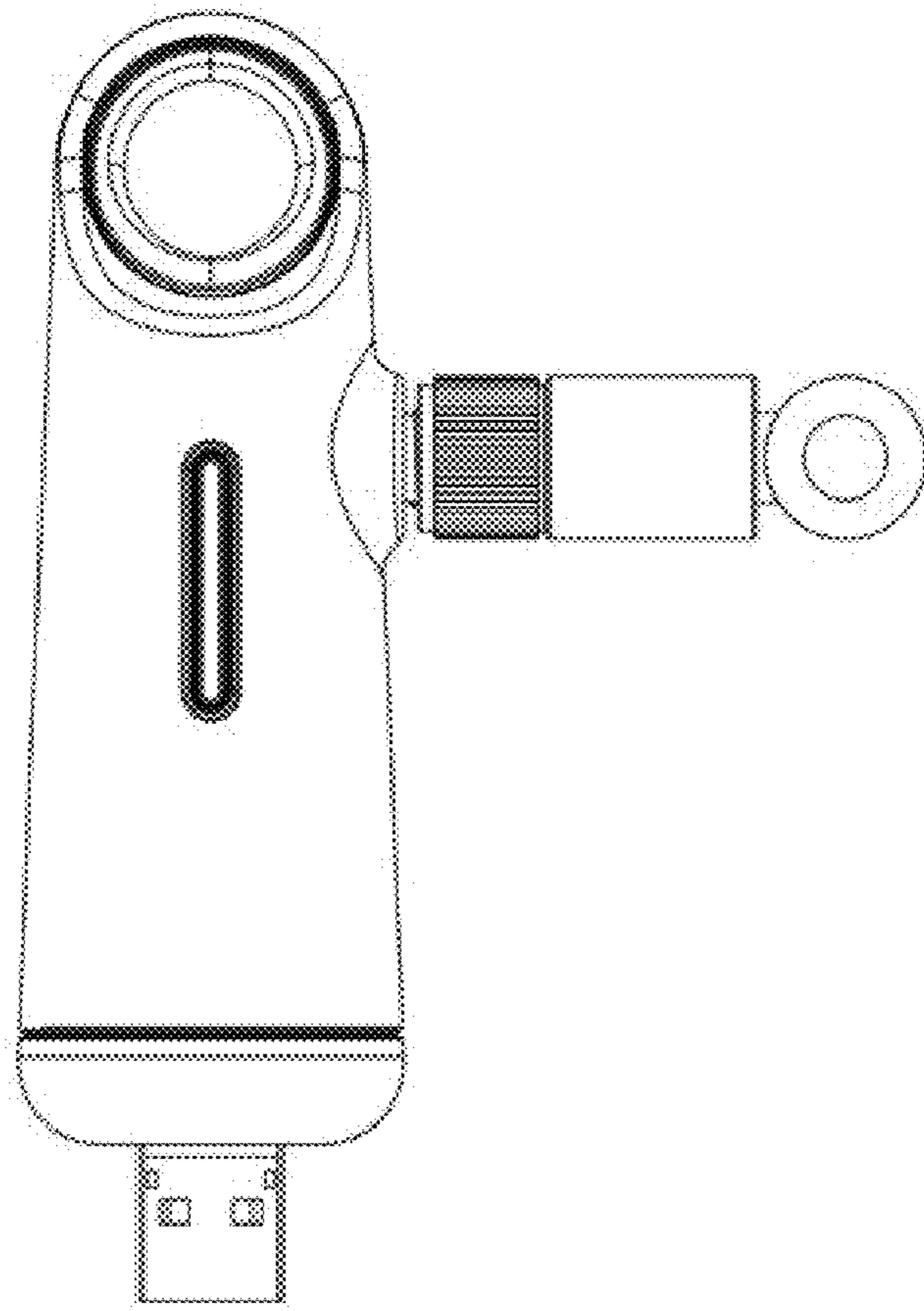


FIG. 6

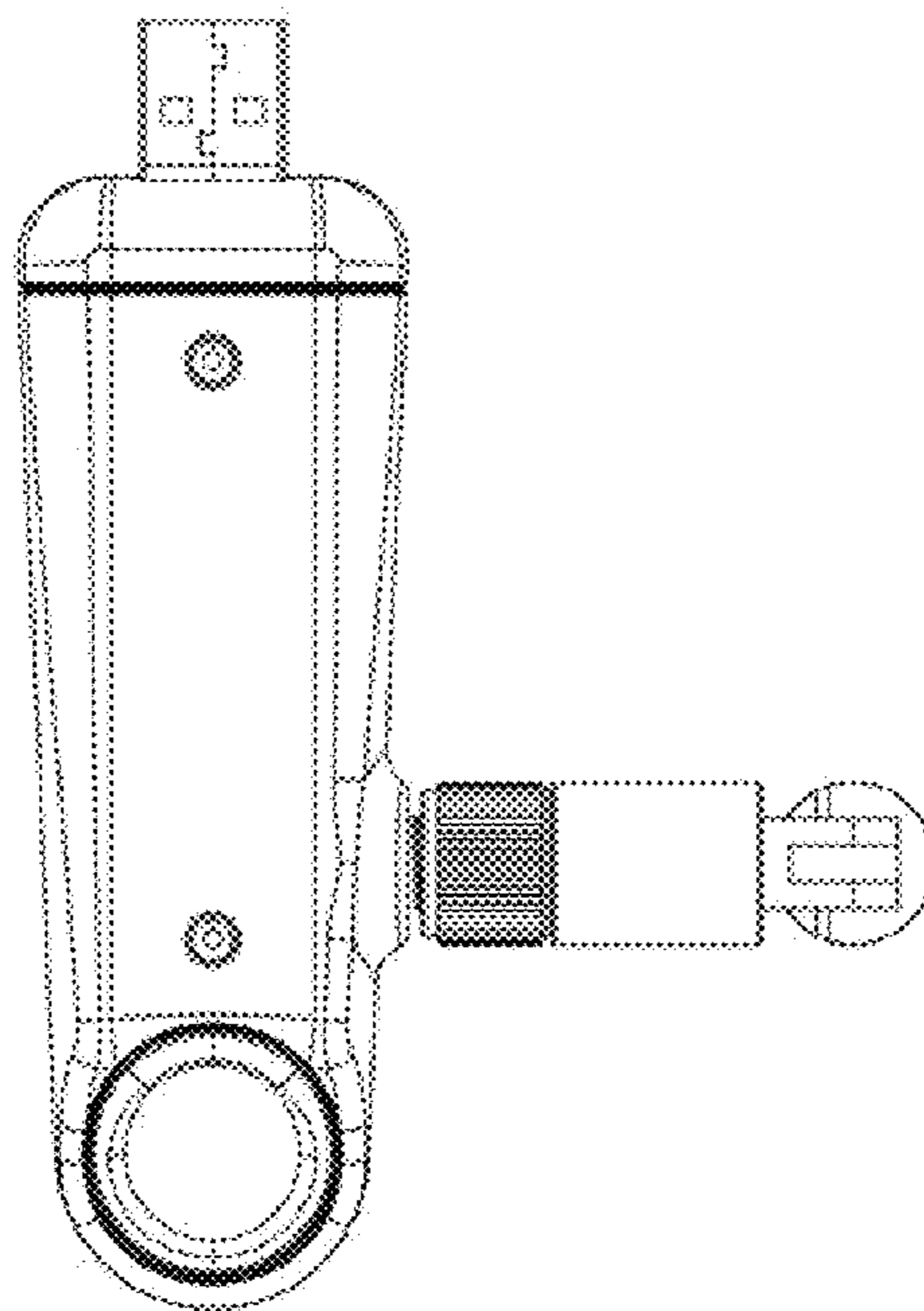


FIG. 7