



US00D801337S

(12) **United States Design Patent** (10) **Patent No.:** **US D801,337 S**  
**Lee et al.** (45) **Date of Patent:** **\*\* Oct. 31, 2017**

(54) **TELEVISION RECEIVER**

11/041; F16M 11/126; F16M 11/04;  
F16M 13/02; F16M 11/24; A47F 5/00

See application file for complete search history.

(71) Applicant: **Samsung Electronics Co., Ltd.**,  
Suwon-si (KR)

(56) **References Cited**

(72) Inventors: **Sang-Young Lee**, Gwangmyung-si  
(KR); **Hee-Bong Kim**, Gimpo-si (KR);  
**Won-Jun Lee**, Seoul (KR)

U.S. PATENT DOCUMENTS

D725,062 S \* 3/2015 Cho ..... D14/126  
D725,616 S \* 3/2015 Oh ..... D14/126  
D728,498 S \* 5/2015 Park ..... D14/126  
D742,378 S \* 11/2015 Jung ..... D14/374

(73) Assignee: **Samsung Electronics Co., Ltd.**,  
Suwon-si (KR)

FOREIGN PATENT DOCUMENTS

CN 201530049871.8 8/2015  
CN 201530164293.2 10/2015  
CN 201530160222.5 12/2015  
KR 30-2013-0008764 5/2014  
KR 30-2014-0000234 10/2014

(\*\*) Term: **15 Years**

\* cited by examiner

(21) Appl. No.: **29/569,196**

*Primary Examiner* — Freda S Nunn

(22) Filed: **Jun. 24, 2016**

(74) *Attorney, Agent, or Firm* — NSIP Law

(30) **Foreign Application Priority Data**

(57) **CLAIM**

Dec. 24, 2015 (KR) ..... 30-2015-0066215

We claim the ornamental design for a television receiver, as shown and described.

(51) **LOC (10) Cl.** ..... **14-02**

**DESCRIPTION**

(52) **U.S. Cl.**

USPC ..... **D14/374**

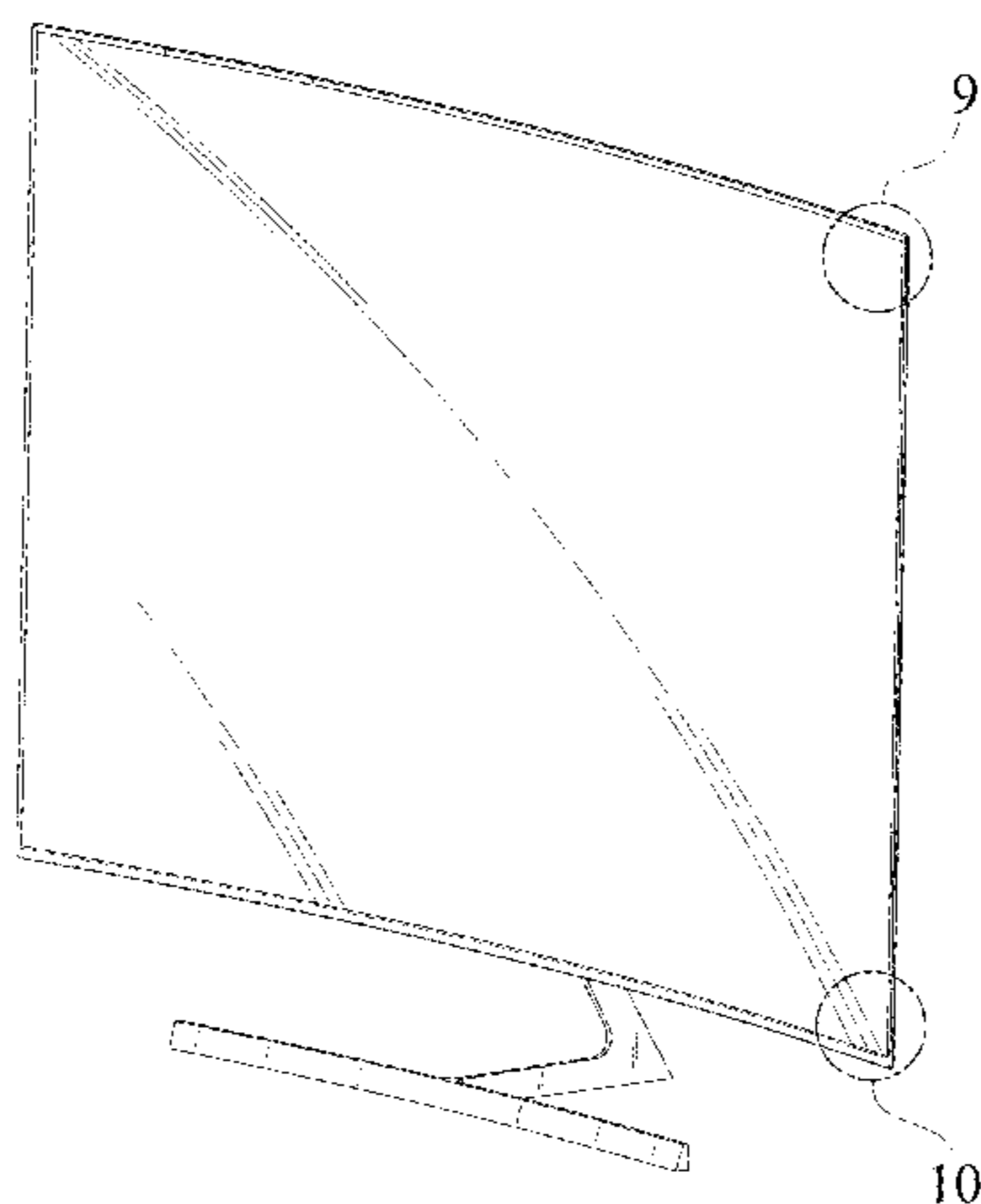
(58) **Field of Classification Search**

USPC ..... D14/371-375, 125-129, 336, 337, 341,  
D14/239; 341/12; 345/104, 156, 168,  
345/173; 348/180, 184, 325, 739; 349/1,  
349/2, 11, 62; 361/679.05-679.07,  
361/679.21; D6/300, 308

CPC ..... G06F 1/16; G06F 1/1601; G06F 3/037;  
G06F 1/162; G06F 1/1613; G06F  
1/133308; F16M 11/02; F16M 11/10;  
F16M 11/00; F16M 11/06; F16M 11/18;  
F16M 11/045; F16M 11/105; F16M

FIG. 1 is a front perspective view of a television receiver showing our new design;  
FIG. 2 is a front view thereof;  
FIG. 3 is a rear view thereof;  
FIG. 4 is a left-side view thereof;  
FIG. 5 is a right-side view thereof;  
FIG. 6 is a top view thereof;  
FIG. 7 is a bottom view thereof;  
FIG. 8 is a rear perspective view thereof;  
FIG. 9 is an enlarged view of the encircled portion in FIG. 1;  
FIG. 10 is an enlarged view of the encircled portion in FIG. 1; and,  
FIG. 11 is an enlarged view of the encircled portion in FIG. 4.

(Continued)



The broken lines in the figures depict environmental subject matter and form no part of the claimed design.

The dot-dash broken lines encircling portions of the claimed design that are illustrated in enlargements form no part of the claimed design.

**1 Claim, 9 Drawing Sheets**

FIG. 1

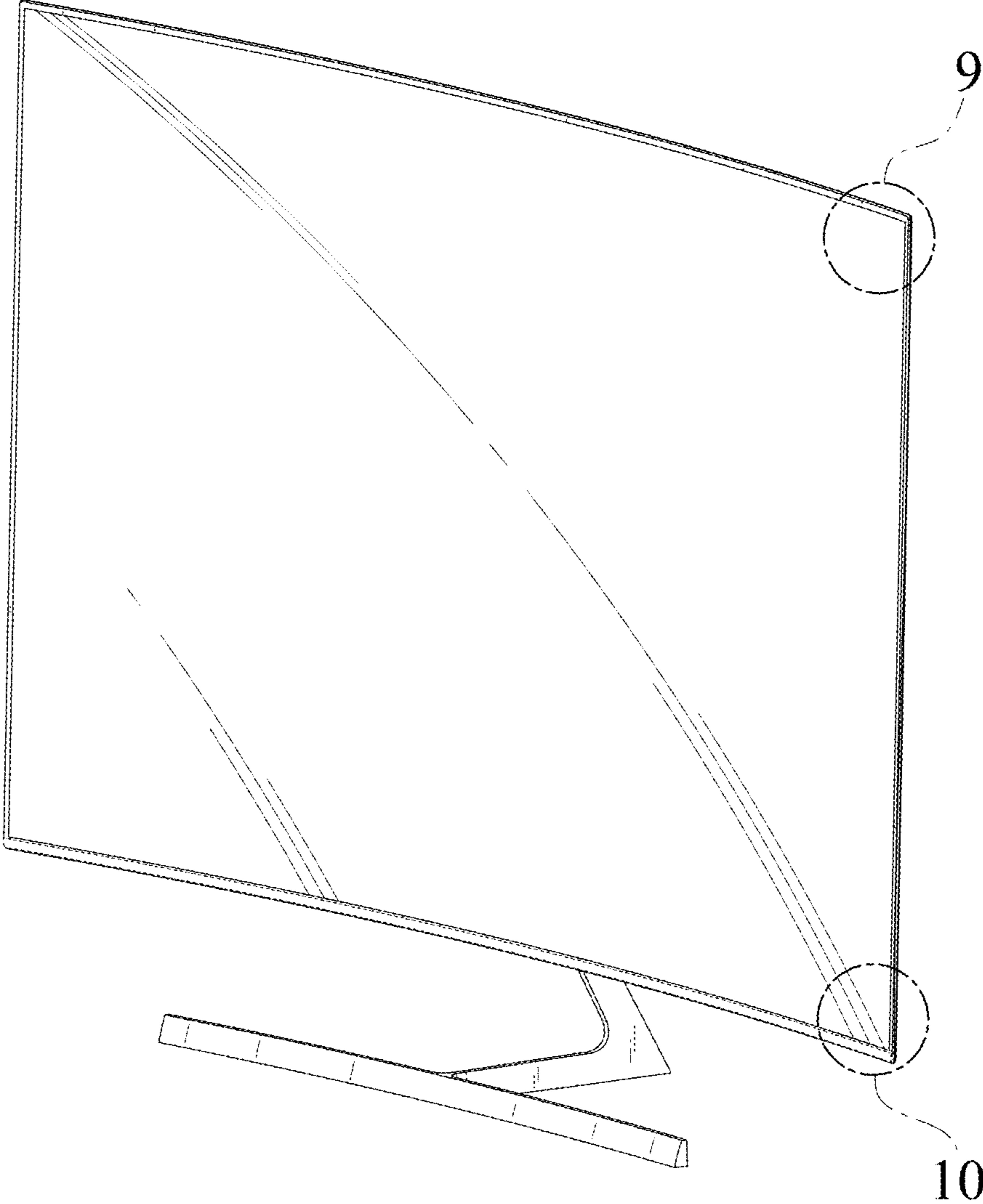


FIG. 2

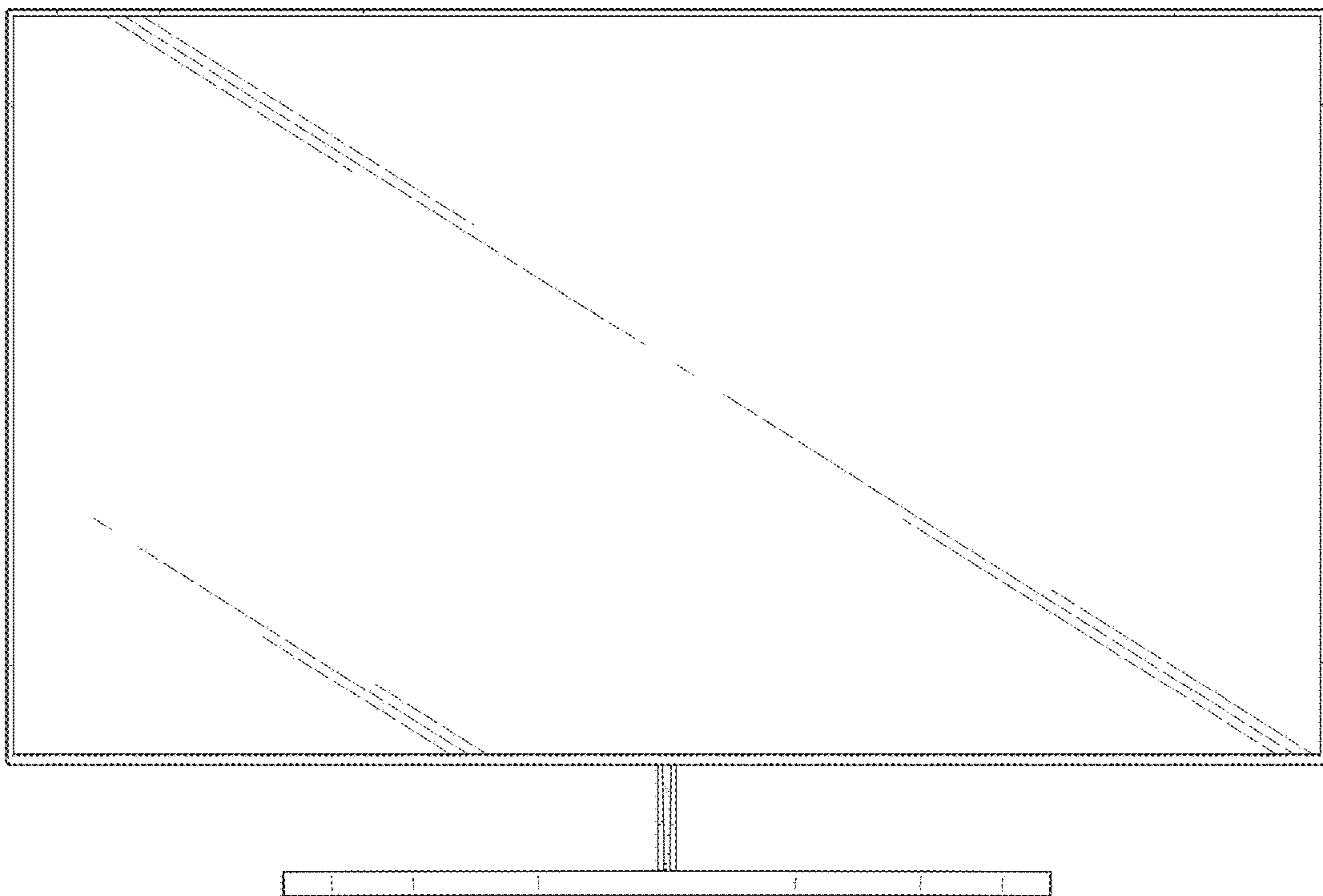


FIG. 3

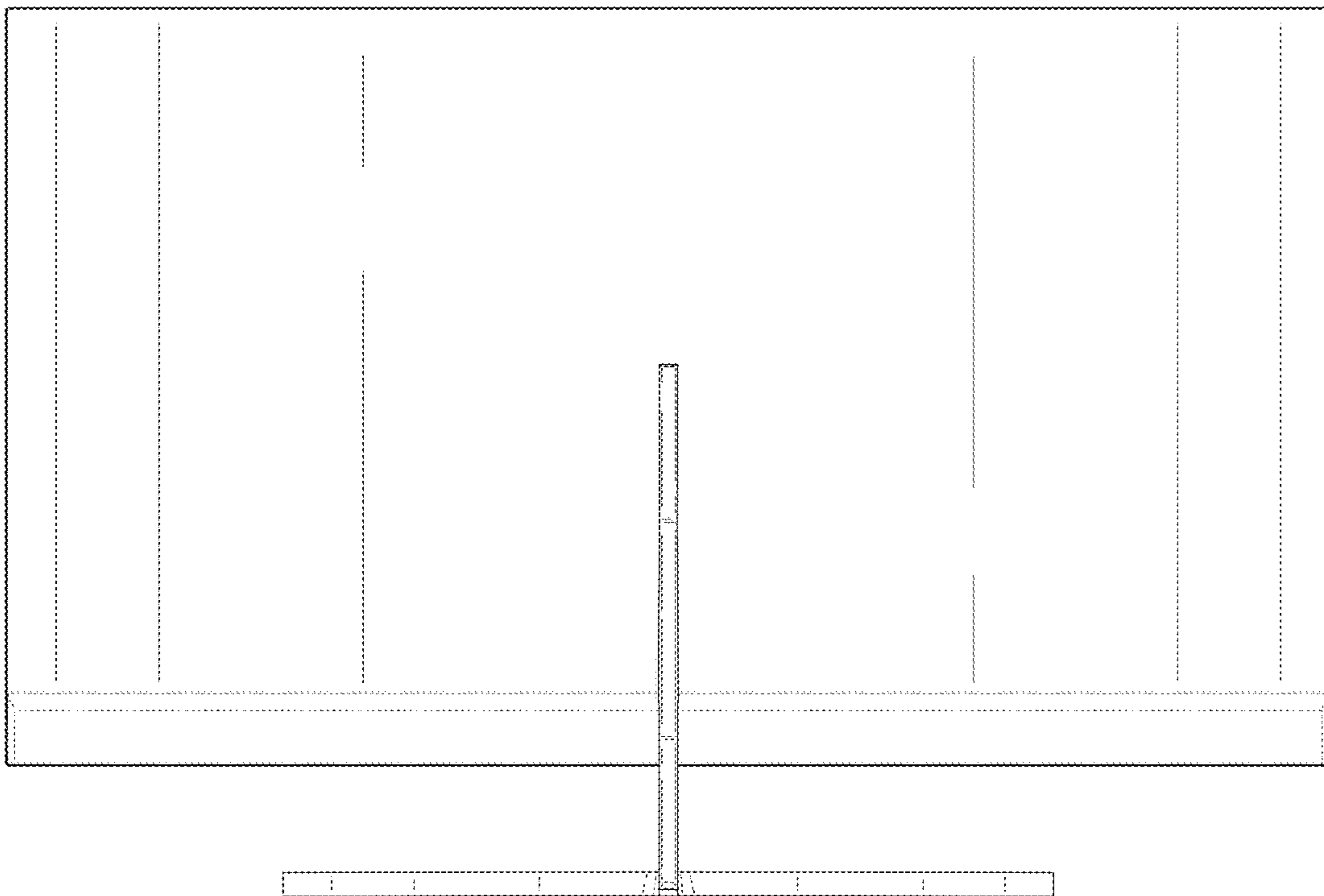


FIG. 4

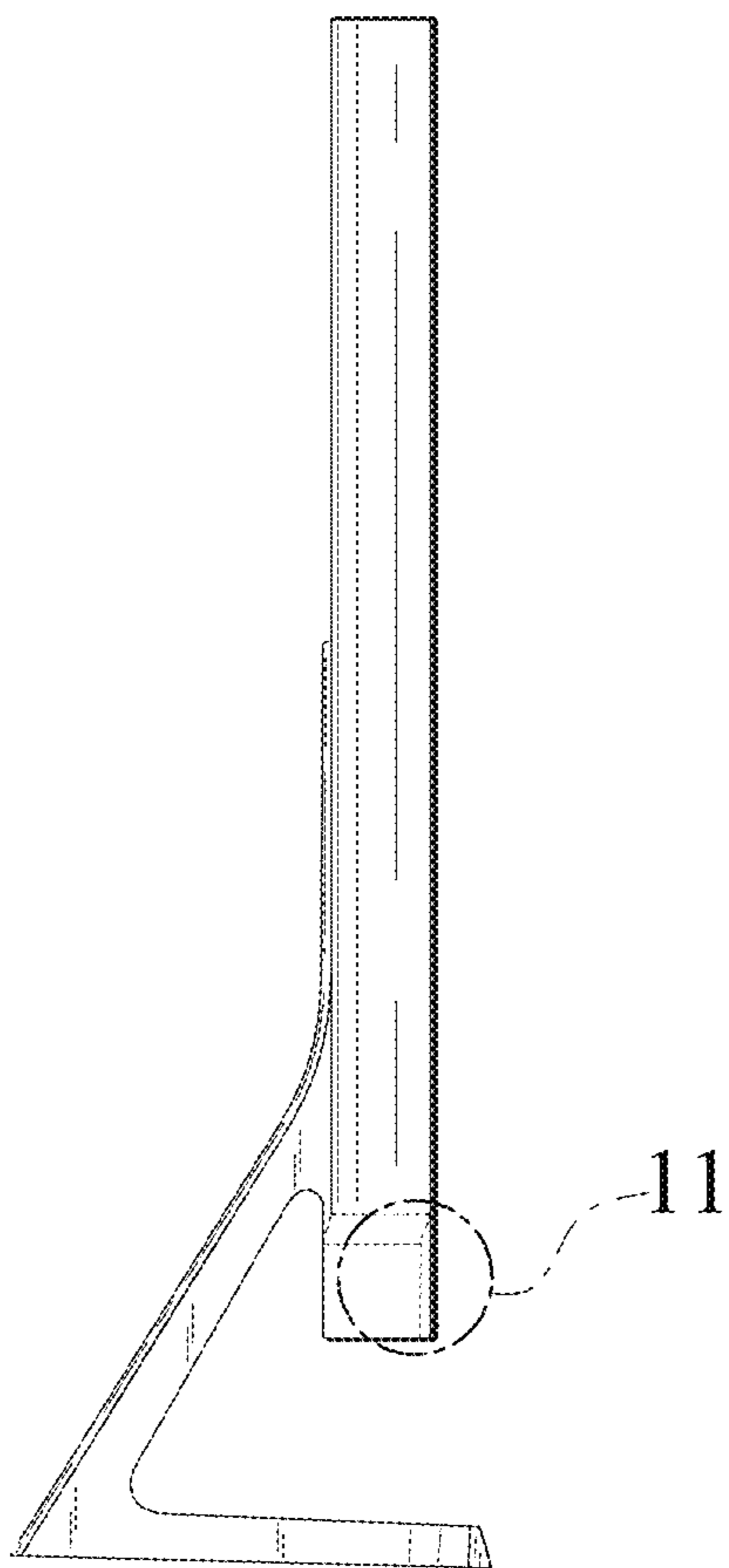


FIG. 5

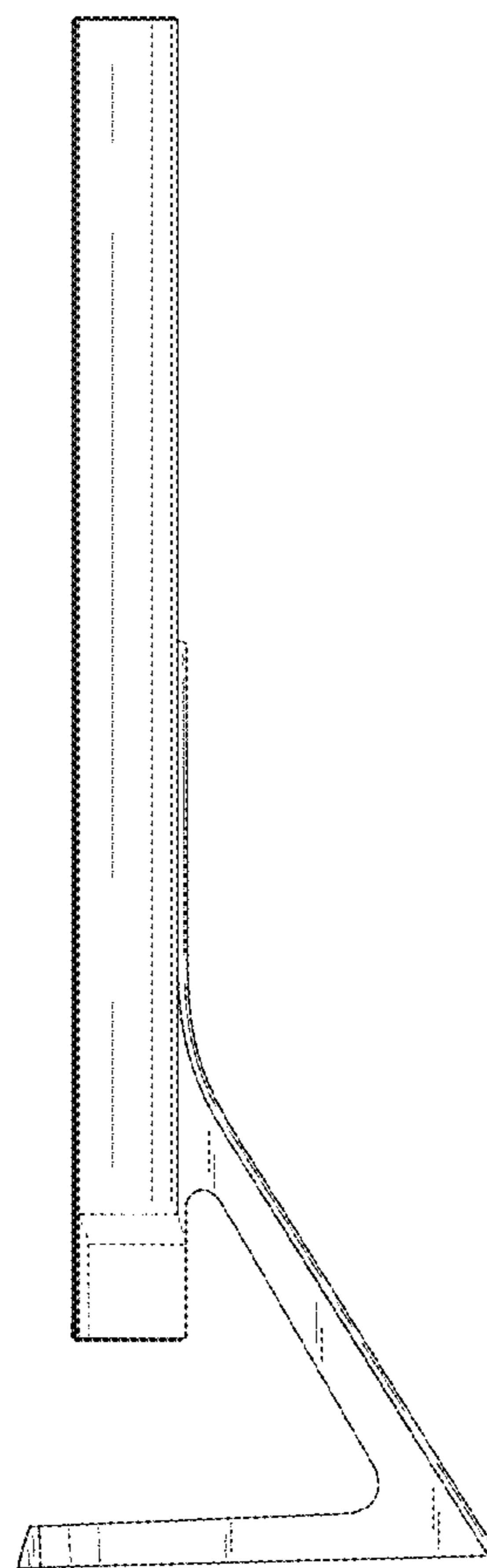


FIG. 6

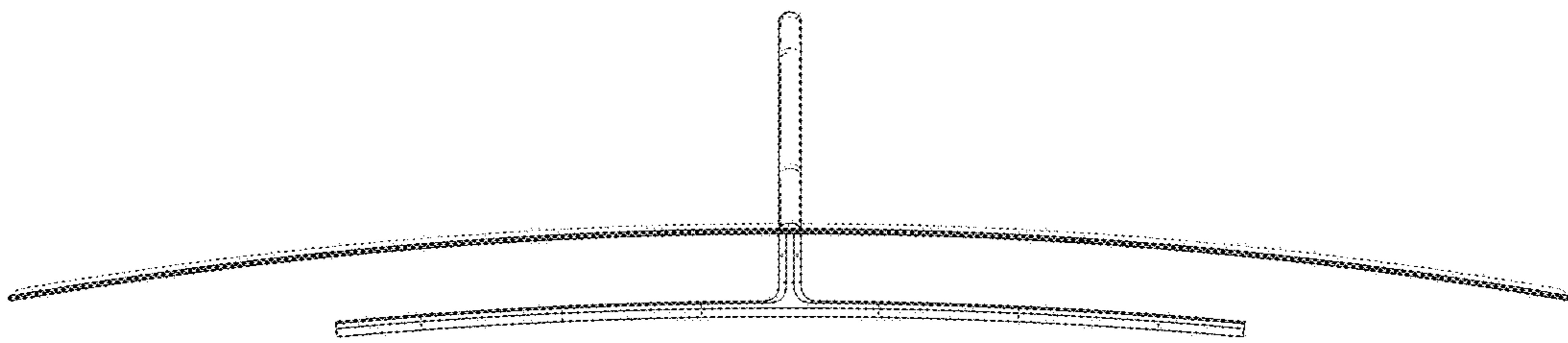


FIG. 7

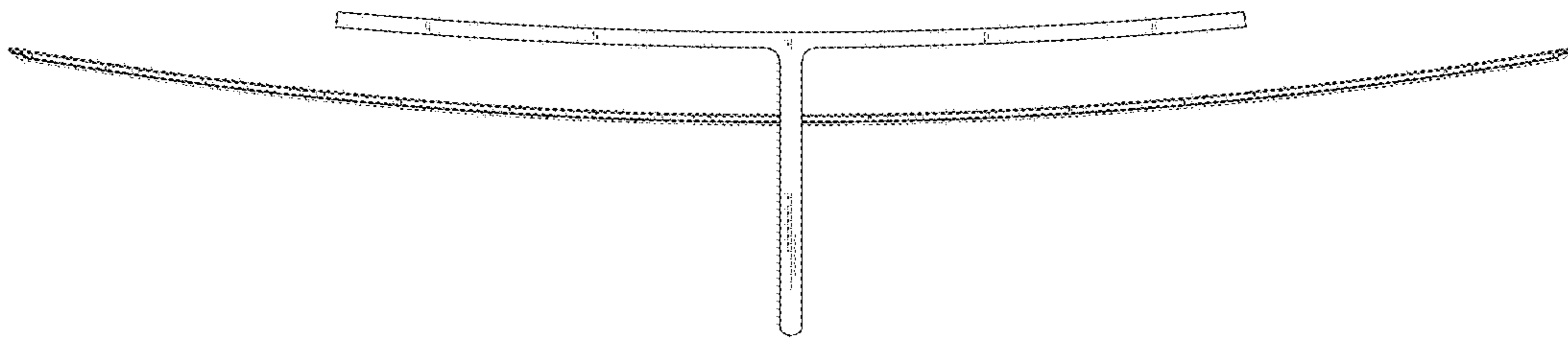


FIG. 8

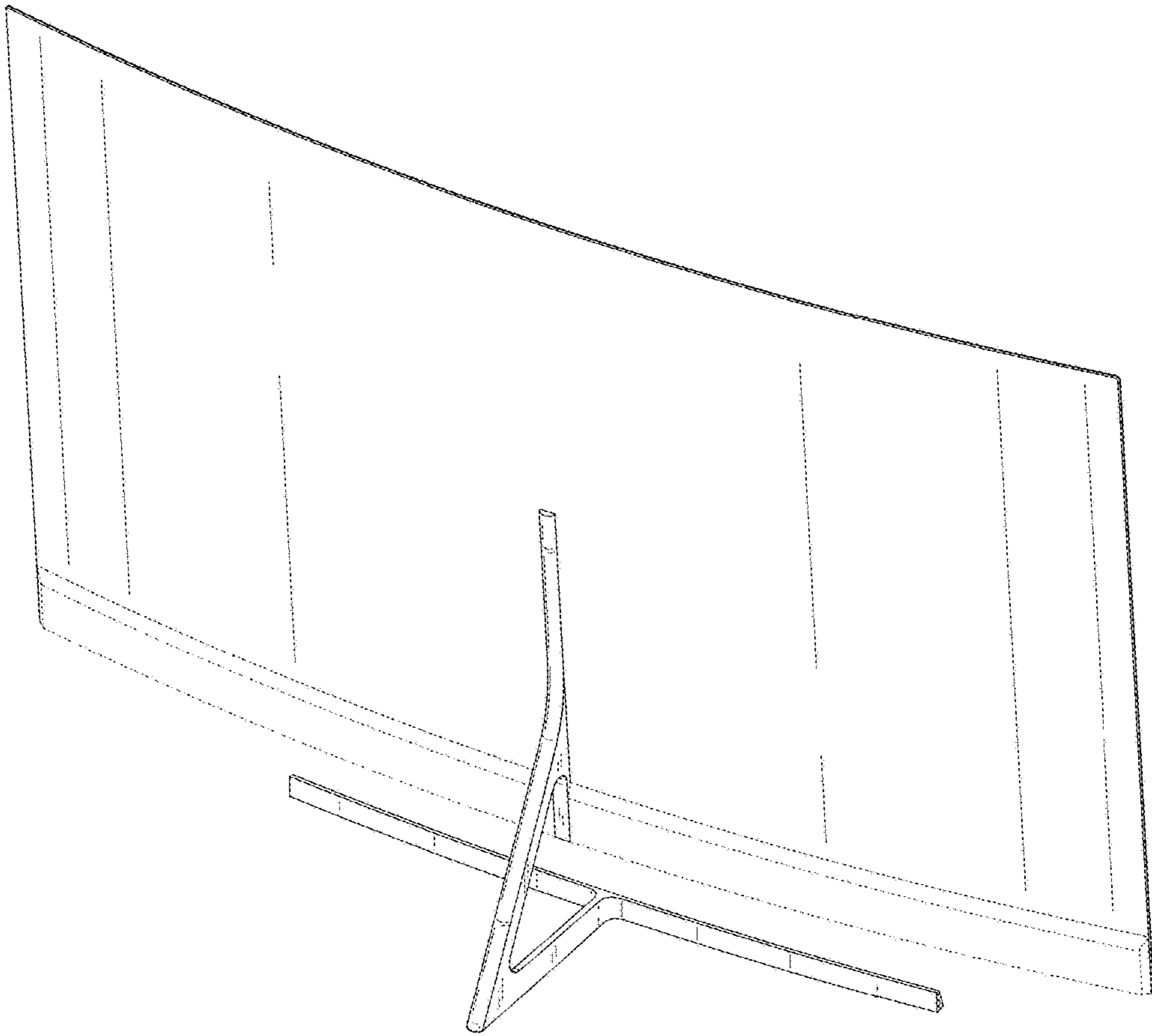




FIG. 9

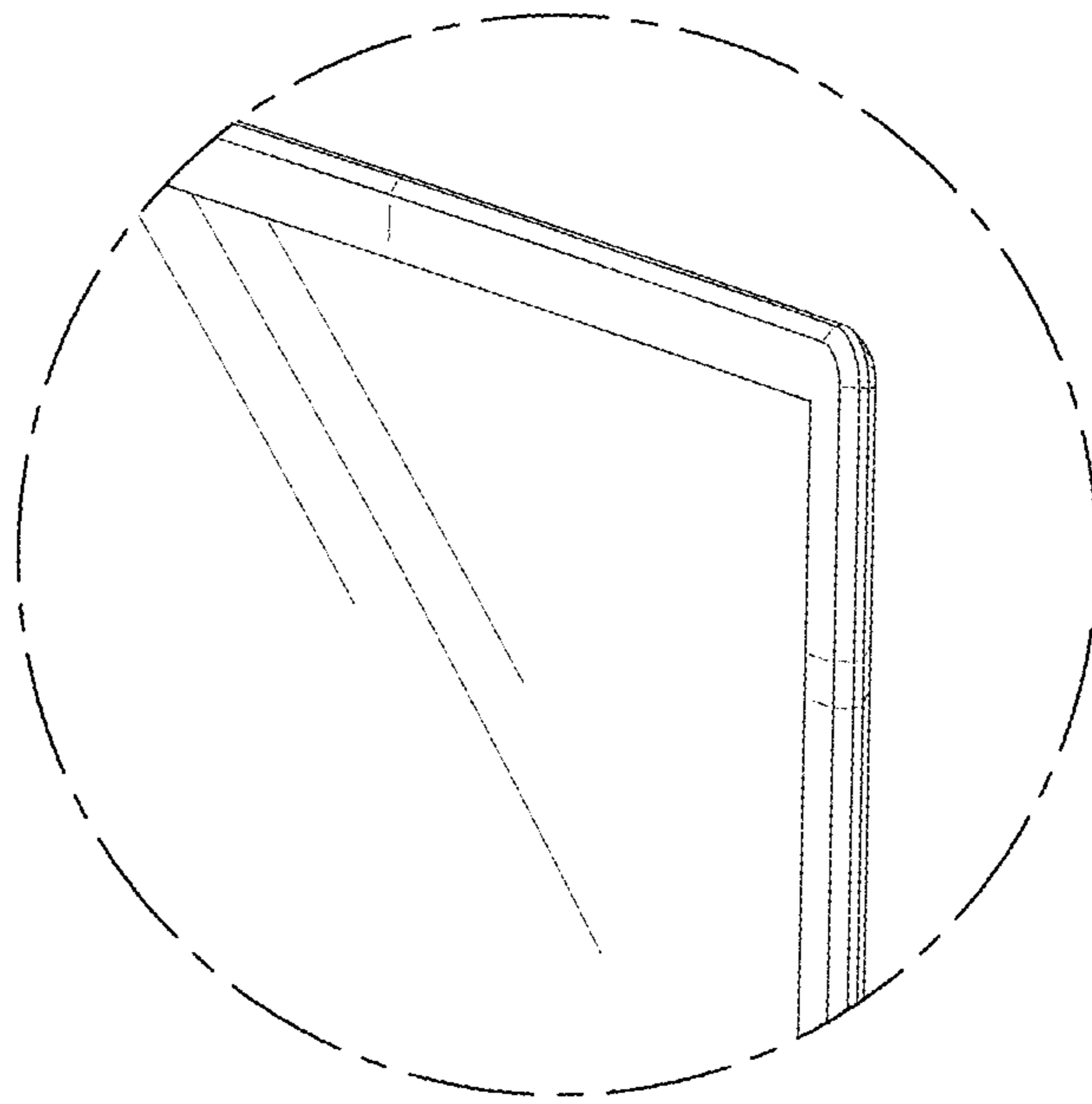


FIG. 10

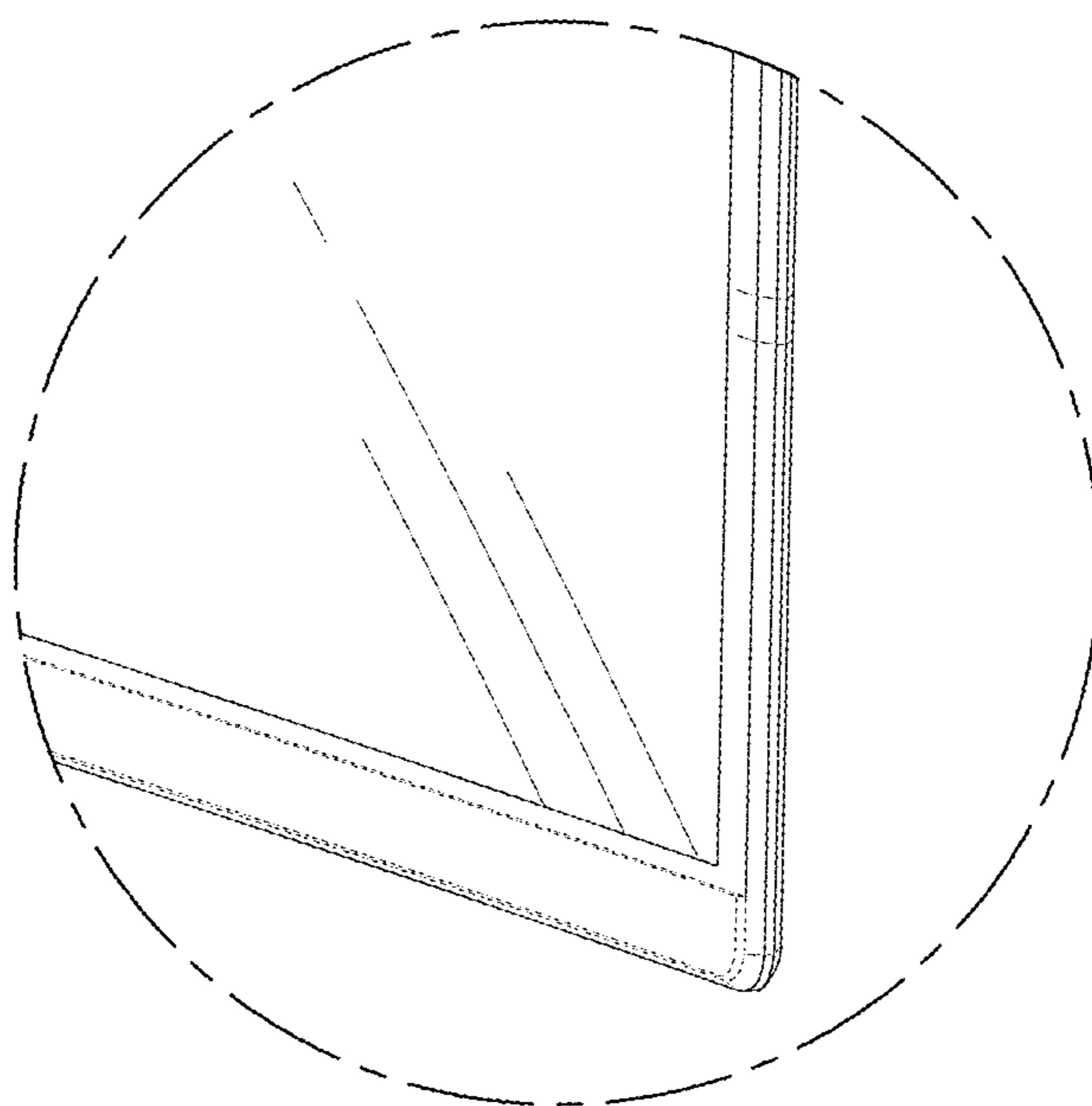


FIG. 11

