



US00D801336S

(12) **United States Design Patent**
Lee

(10) **Patent No.:** **US D801,336 S**
(45) **Date of Patent:** **** Oct. 31, 2017**

(54) **DISPLAY**

(71) Applicants: **BOE TECHNOLOGY GROUP CO., LTD.**, Beijing (CN); **K-Tronics (SuZhou) Technology Co., Ltd.**, Suzhou, Jiangsu Province (CN)

(72) Inventor: **Chenghsiung Lee**, Beijing (CN)

(73) Assignees: **BOE TECHNOLOGY GROUP CO., LTD.**, Beijing (CN); **K-TRONICS (SUZHOU) TECHNOLOGY CO., LTD.**, Suzhou, Jiangsu Province (CN)

(**) Term: **15 Years**

(21) Appl. No.: **29/561,953**

(22) Filed: **Apr. 21, 2016**

(30) **Foreign Application Priority Data**

Feb. 26, 2016 (CN) 2016 3 0053617

(51) **LOC (10) Cl.** **14-02**

(52) **U.S. Cl.**
USPC **D14/374**

(58) **Field of Classification Search**

USPC D14/371-375, 125-129, 336, 337, 341, D14/239; 341/12; 345/104, 156, 168, 345/173; 348/180, 184, 325, 739; 349/1, 349/2, 11, 62; 361/679.05-679.07, 361/679.21; D6/300, 308
CPC G06F 1/16; G06F 1/1601; G06F 3/037; G06F 1/162; G06F 1/1613; G06F 1/133308; F16M 11/02; F16M 11/10; F16M 11/00; F16M 11/06; F16M 11/18; F16M 11/045; F16M 11/105; F16M 11/126; F16M 11/041

See application file for complete search history.

(56) **References Cited**

U.S. PATENT DOCUMENTS

6,837,469	B2 *	1/2005	Wu	F16M 11/126
					248/278.1
D599,755	S *	9/2009	Jin	D14/126
D601,147	S *	9/2009	Ding	D14/375
D632,291	S *	2/2011	Park	D14/374
D682,270	S *	5/2013	Lee	D14/374
D691,605	S *	10/2013	Won	D14/374
D697,880	S *	1/2014	Lee	D14/126
8,628,052	B2 *	1/2014	Lee	F16M 11/08
					248/122.1
D752,586	S *	3/2016	Lee	D14/374
2006/0076463	A1 *	4/2006	Drew	F16M 11/041
					248/121
2011/0096486	A1 *	4/2011	Oh	F16M 11/10
					361/679.21

* cited by examiner

Primary Examiner — Freda S Nunn

(74) *Attorney, Agent, or Firm* — Nath, Goldberg & Meyer; Joshua B. Goldberg

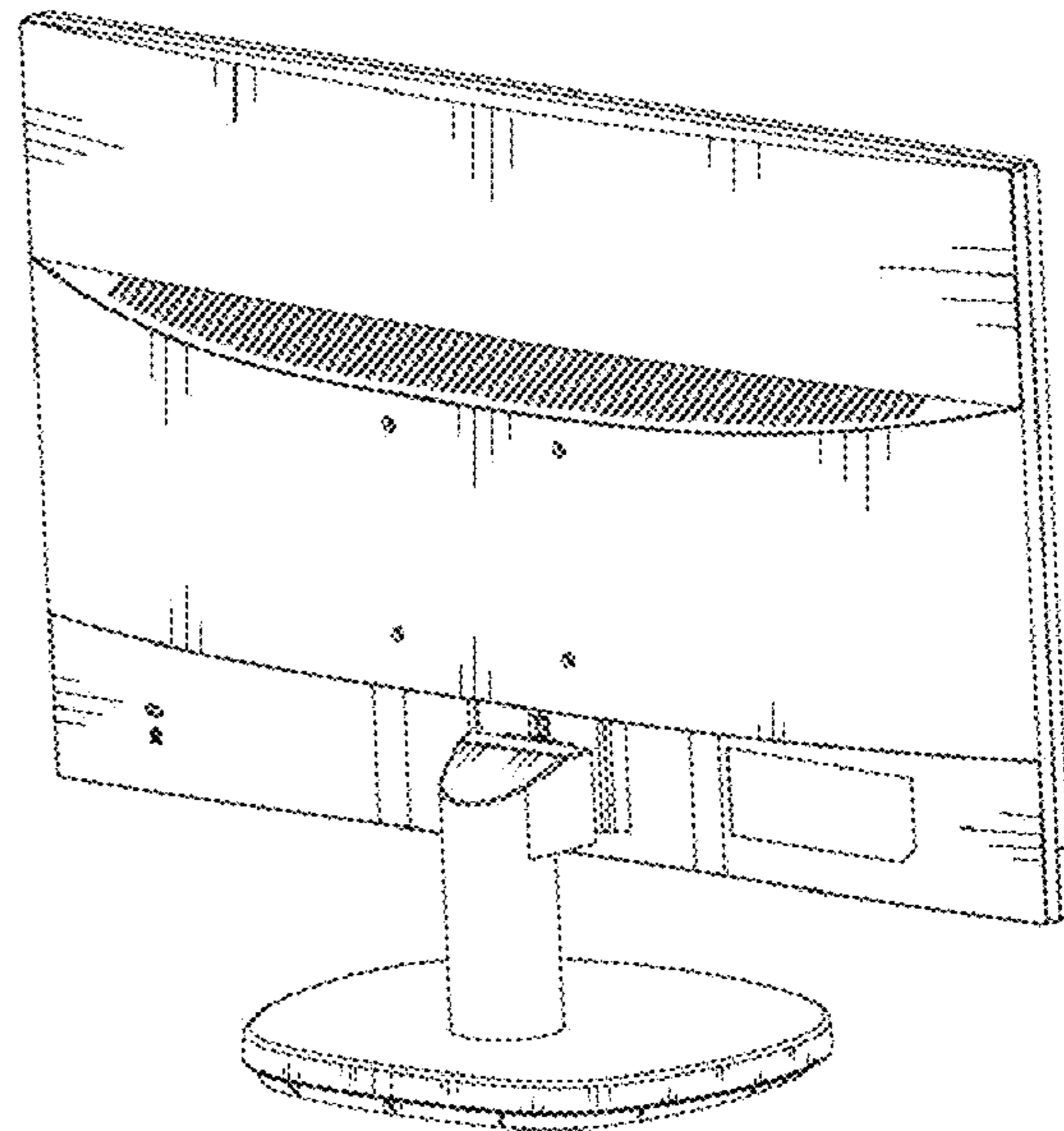
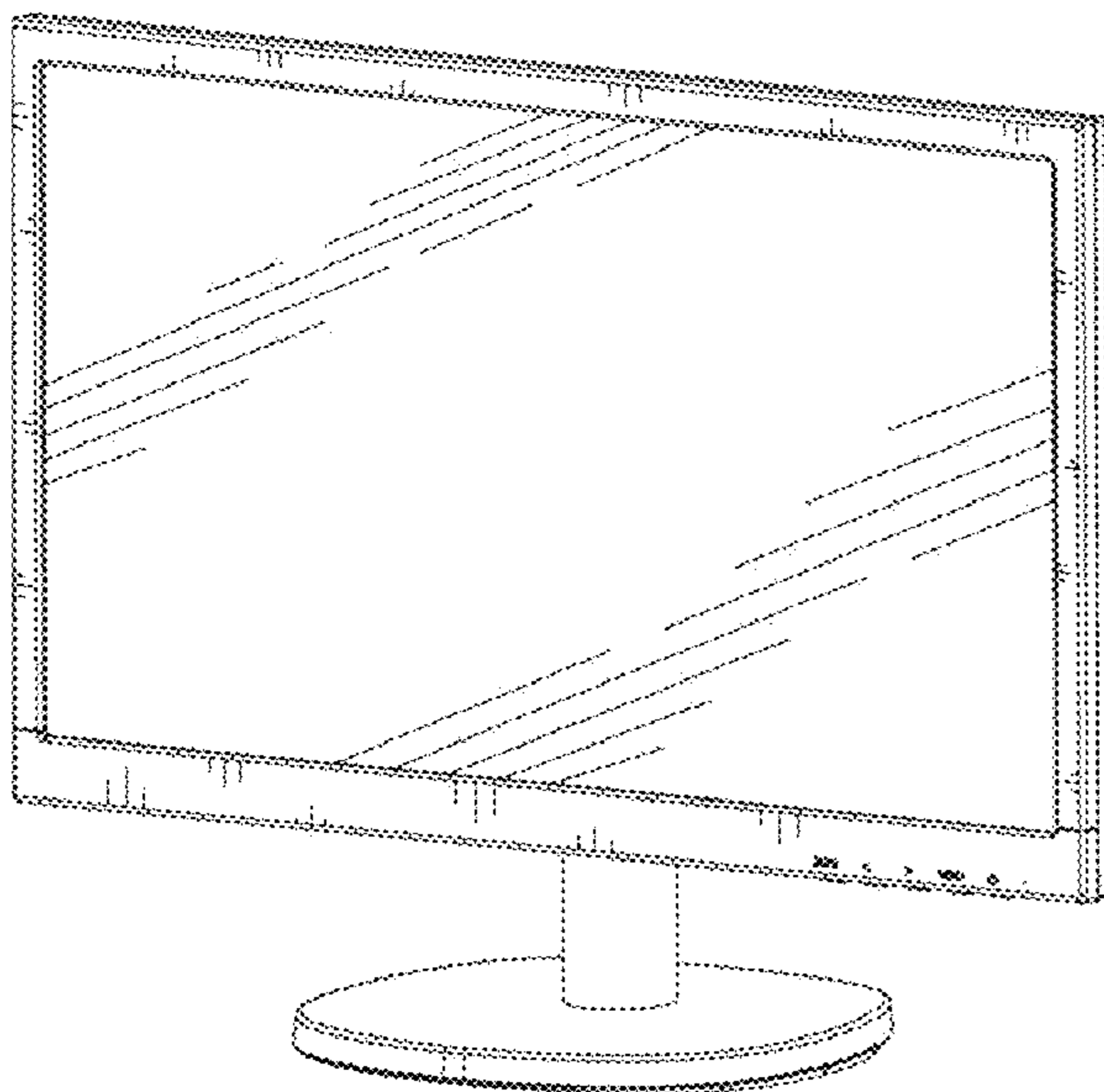
(57) **CLAIM**

The ornamental design for a display, as shown.

DESCRIPTION

FIG. 1 is a front view of a display showing my new design; FIG. 2 is a rear view thereof; FIG. 3 is a left view thereof; FIG. 4 is a right view thereof; FIG. 5 is a top view thereof; FIG. 6 is a bottom view thereof; FIG. 7 is a front perspective view thereof; and, FIG. 8 is a rear perspective view thereof.

1 Claim, 4 Drawing Sheets



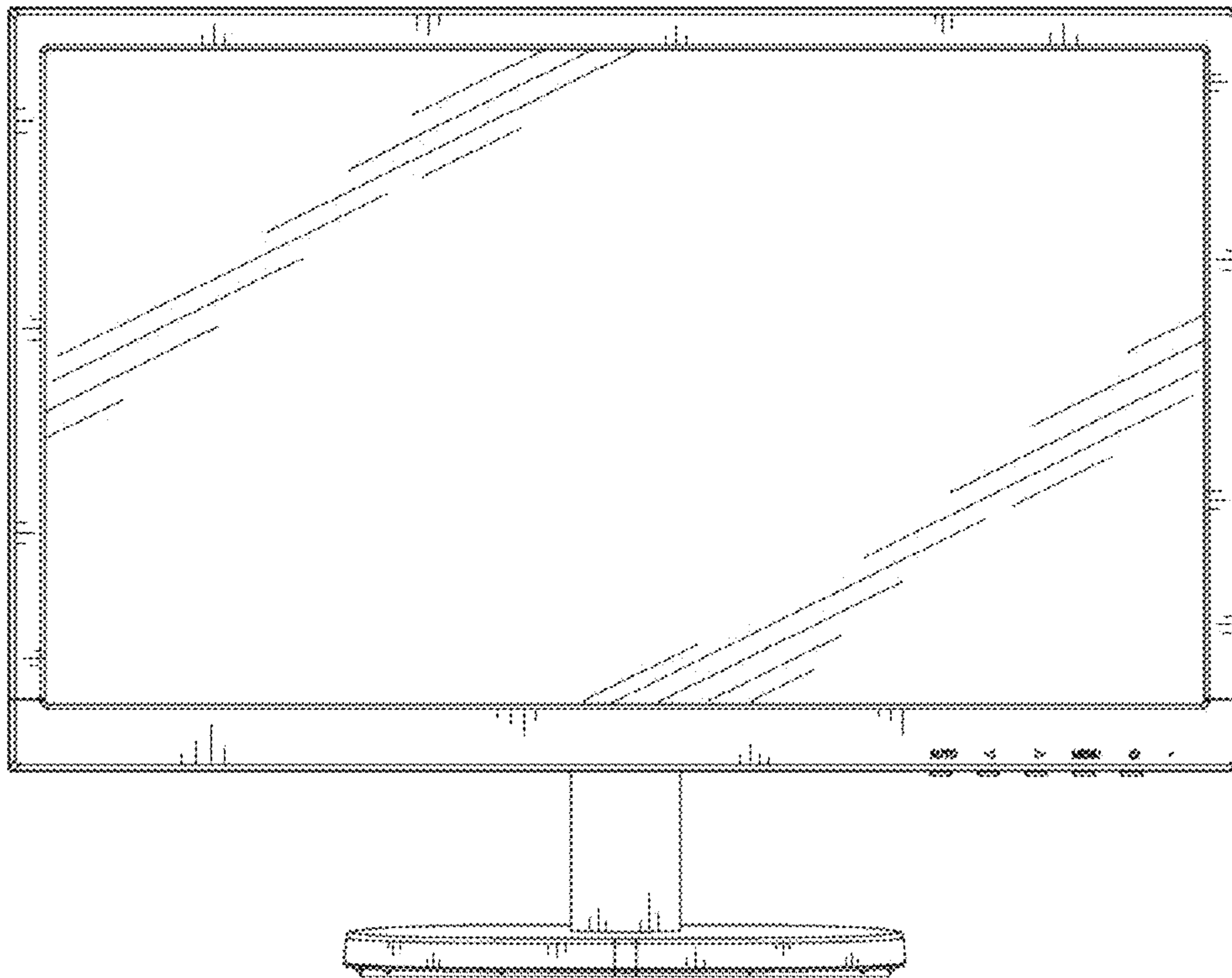


Fig. 1

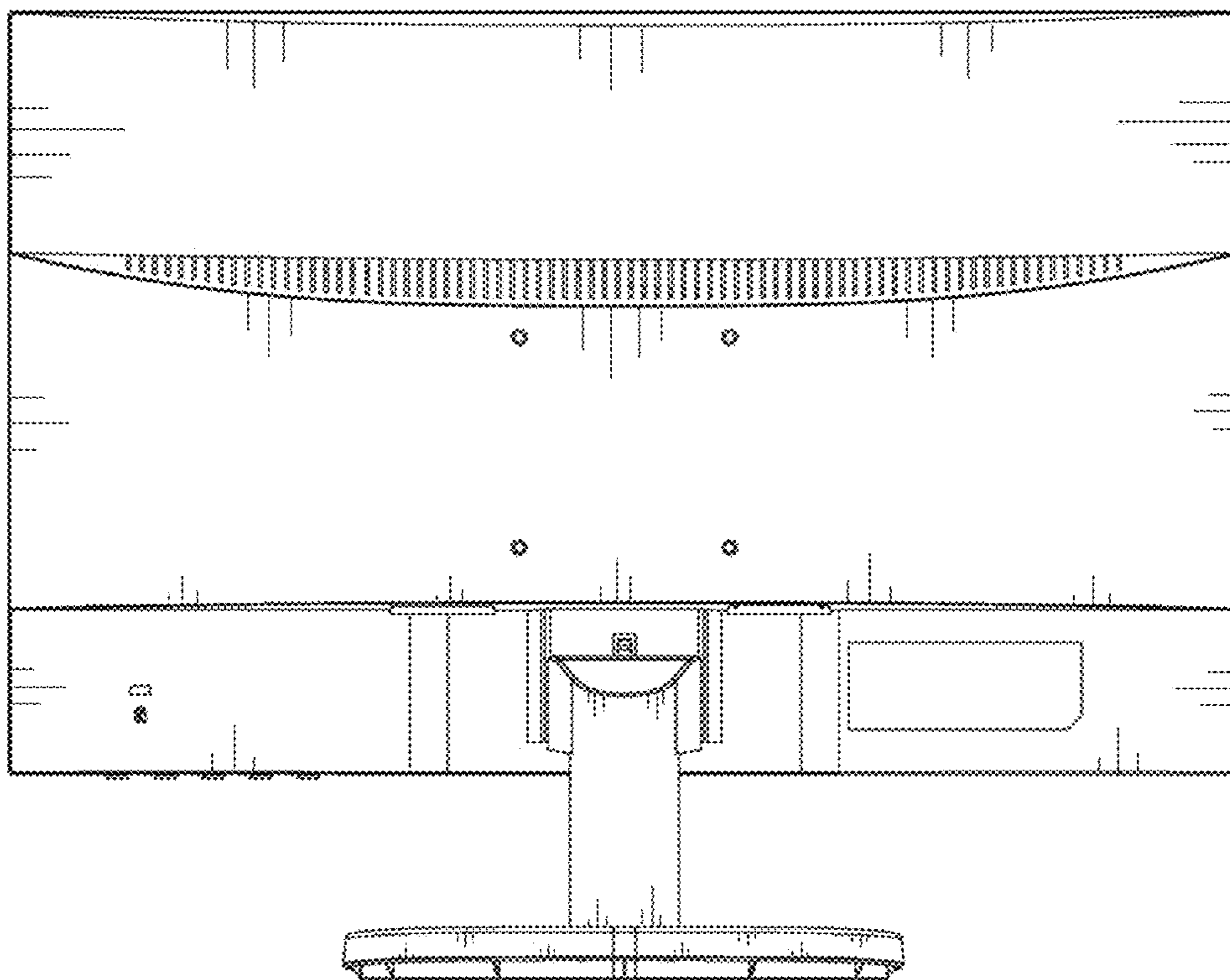


Fig. 2

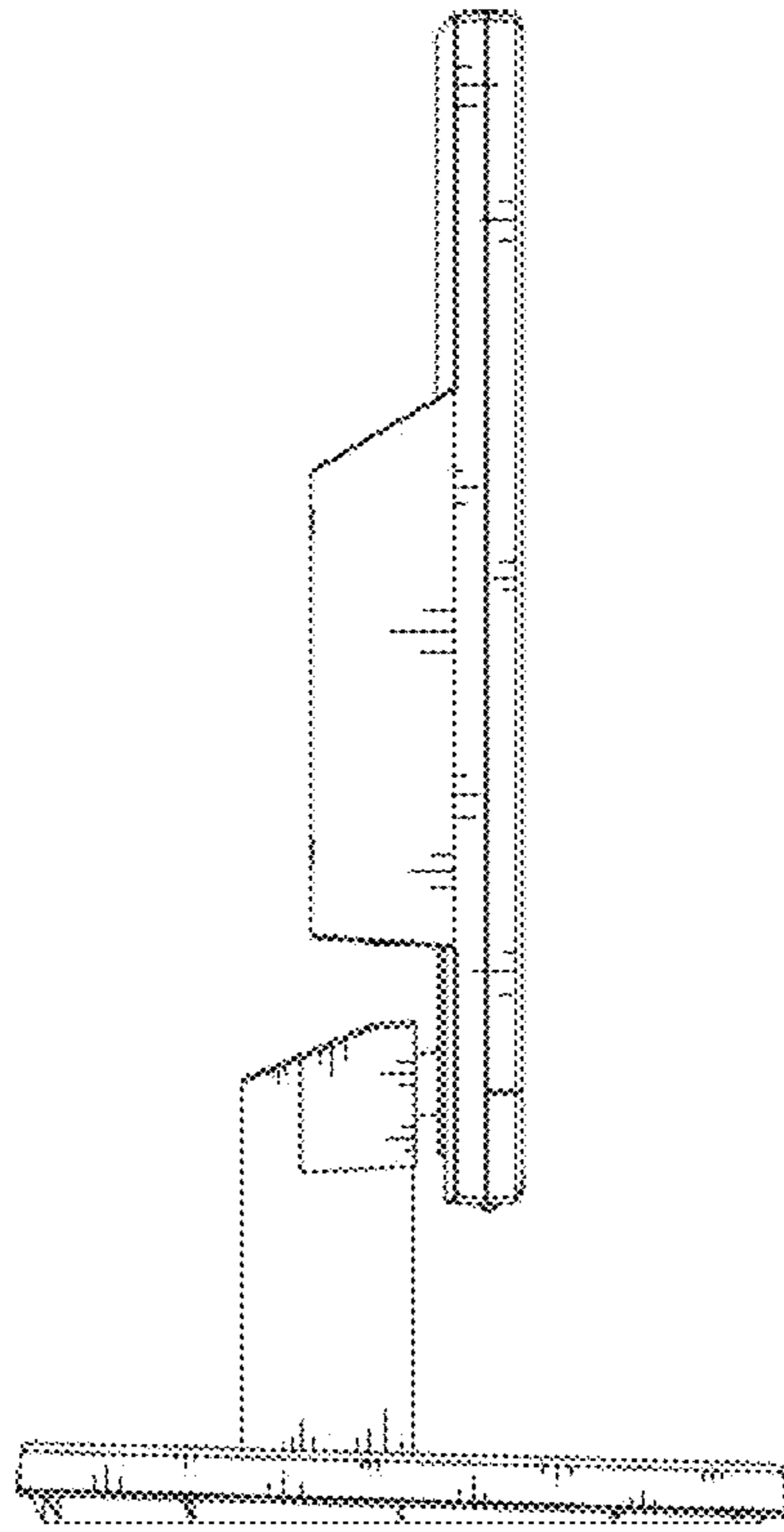


Fig.3

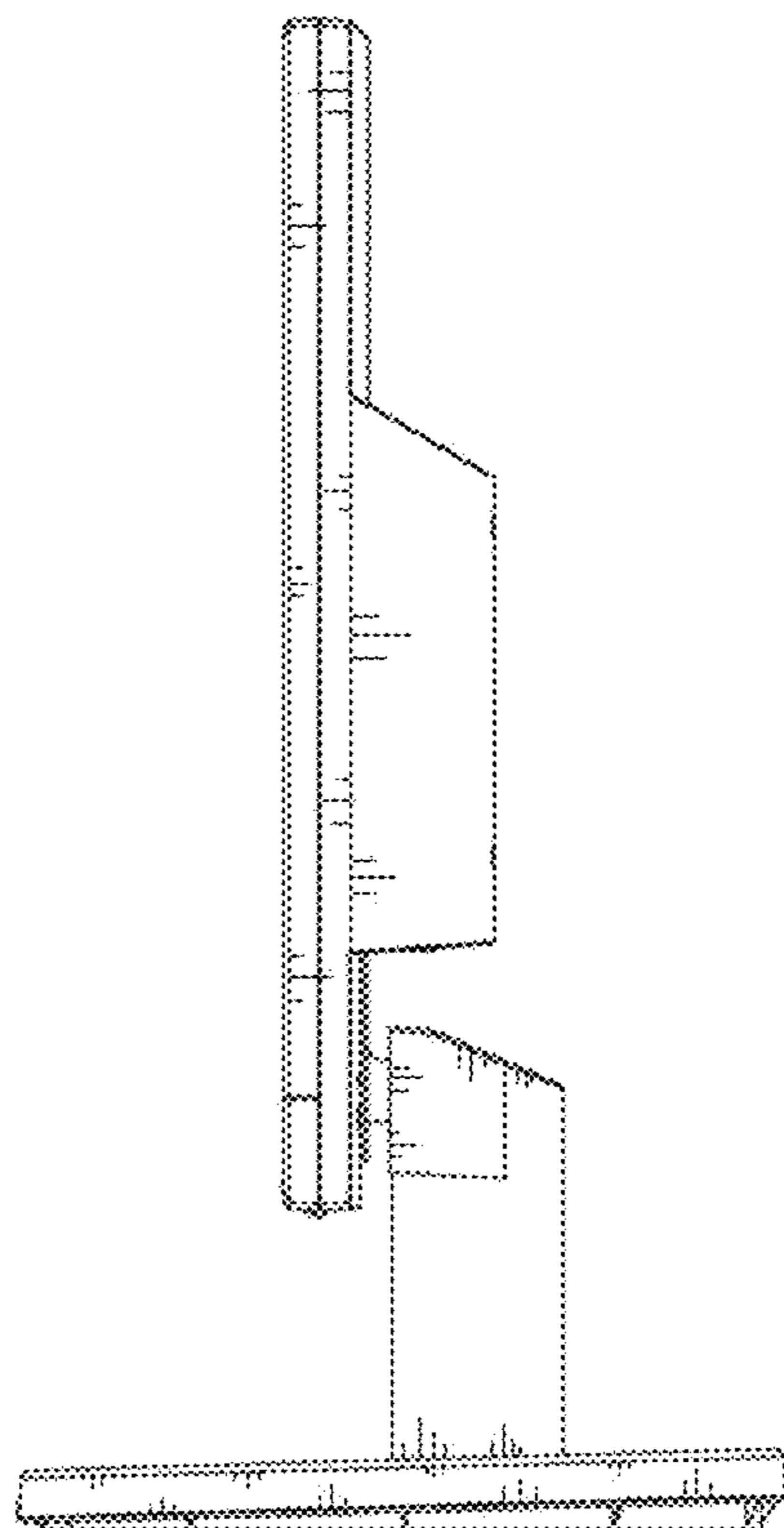


Fig.4

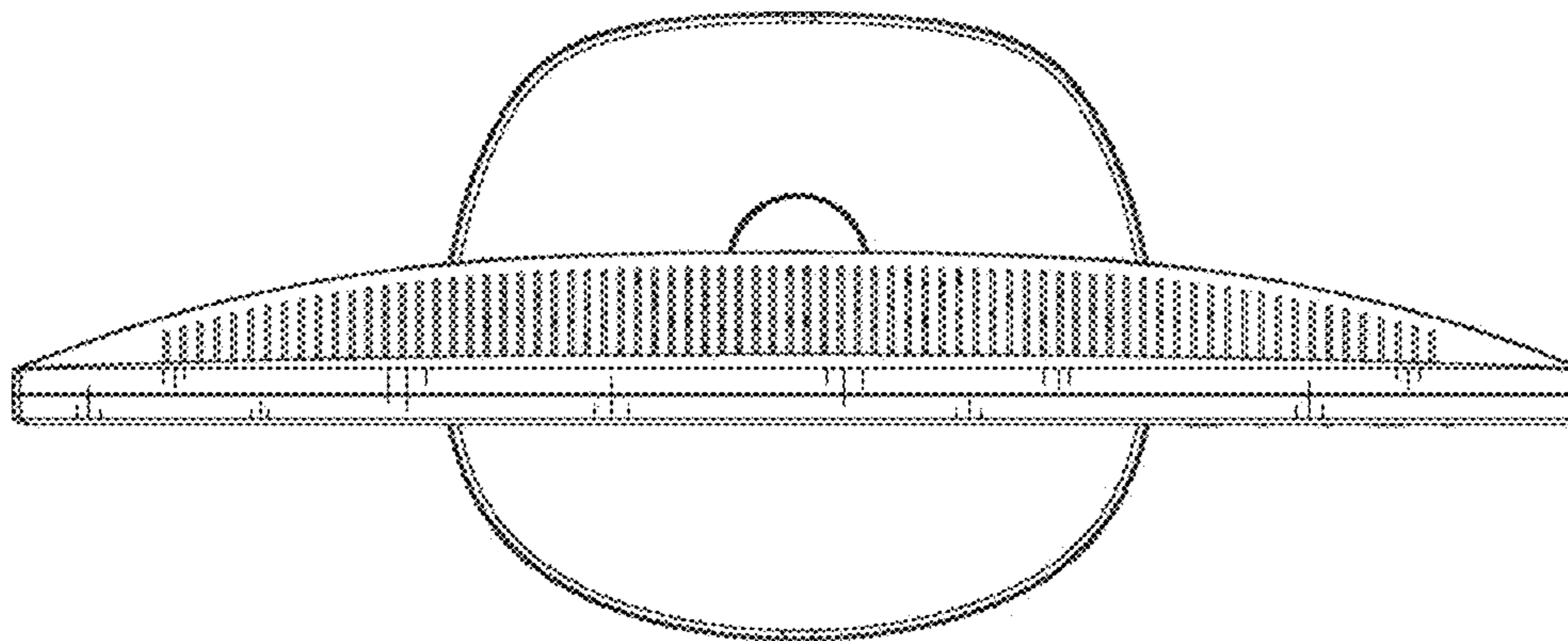


Fig. 5

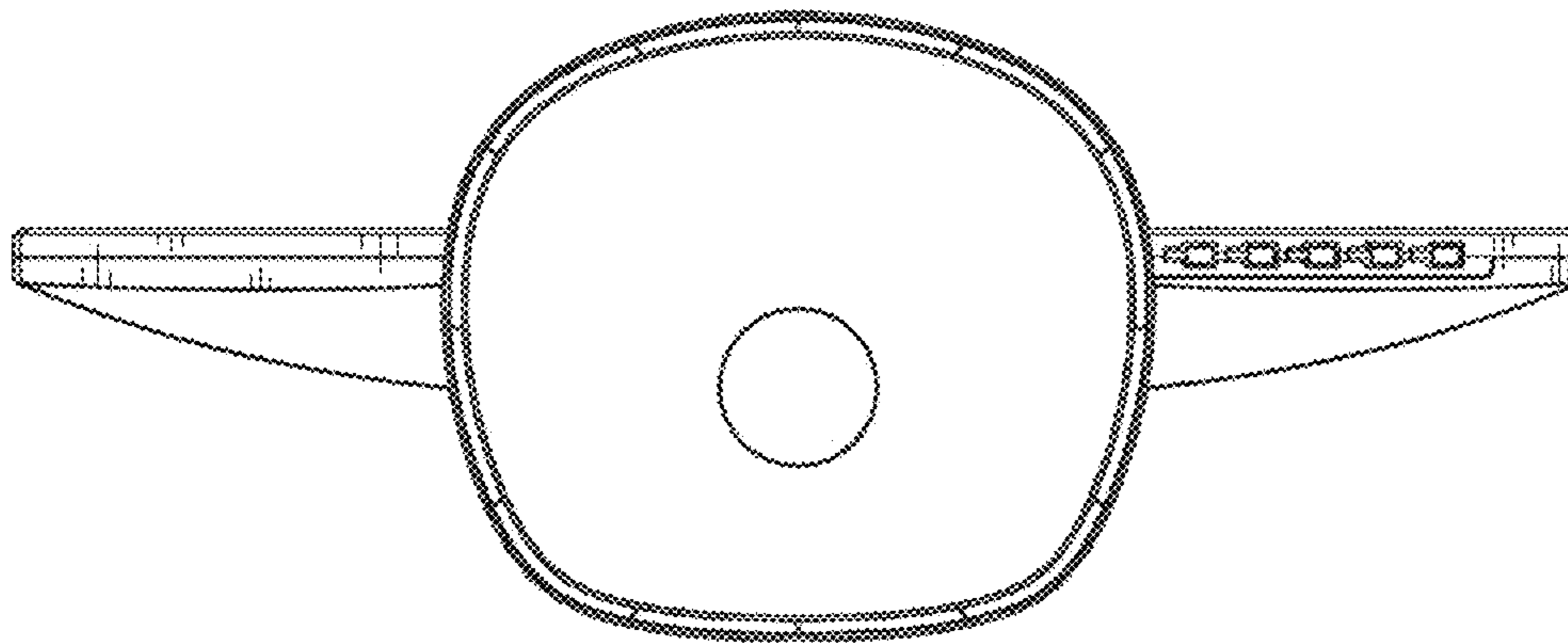


Fig. 6

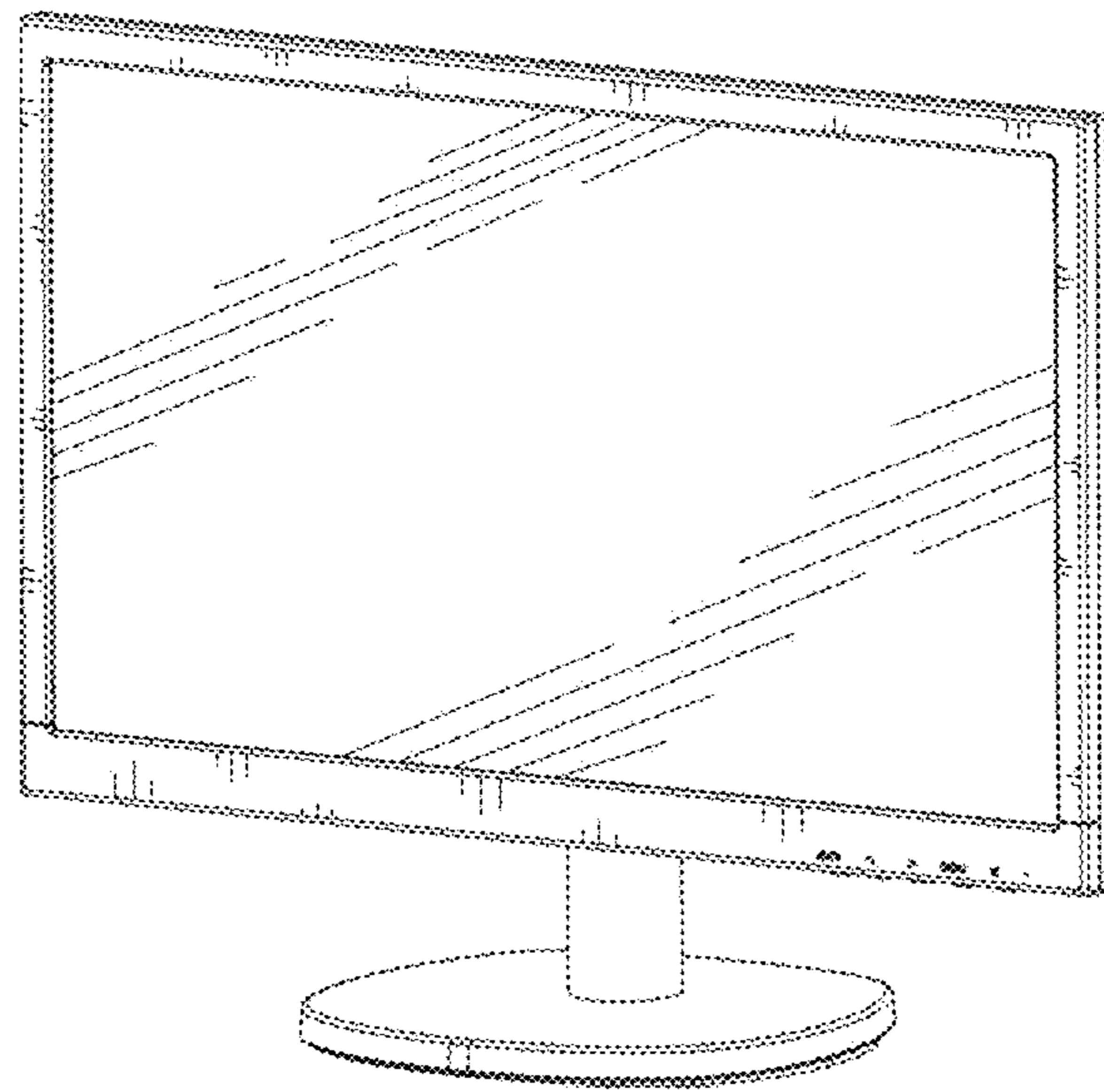


Fig. 7

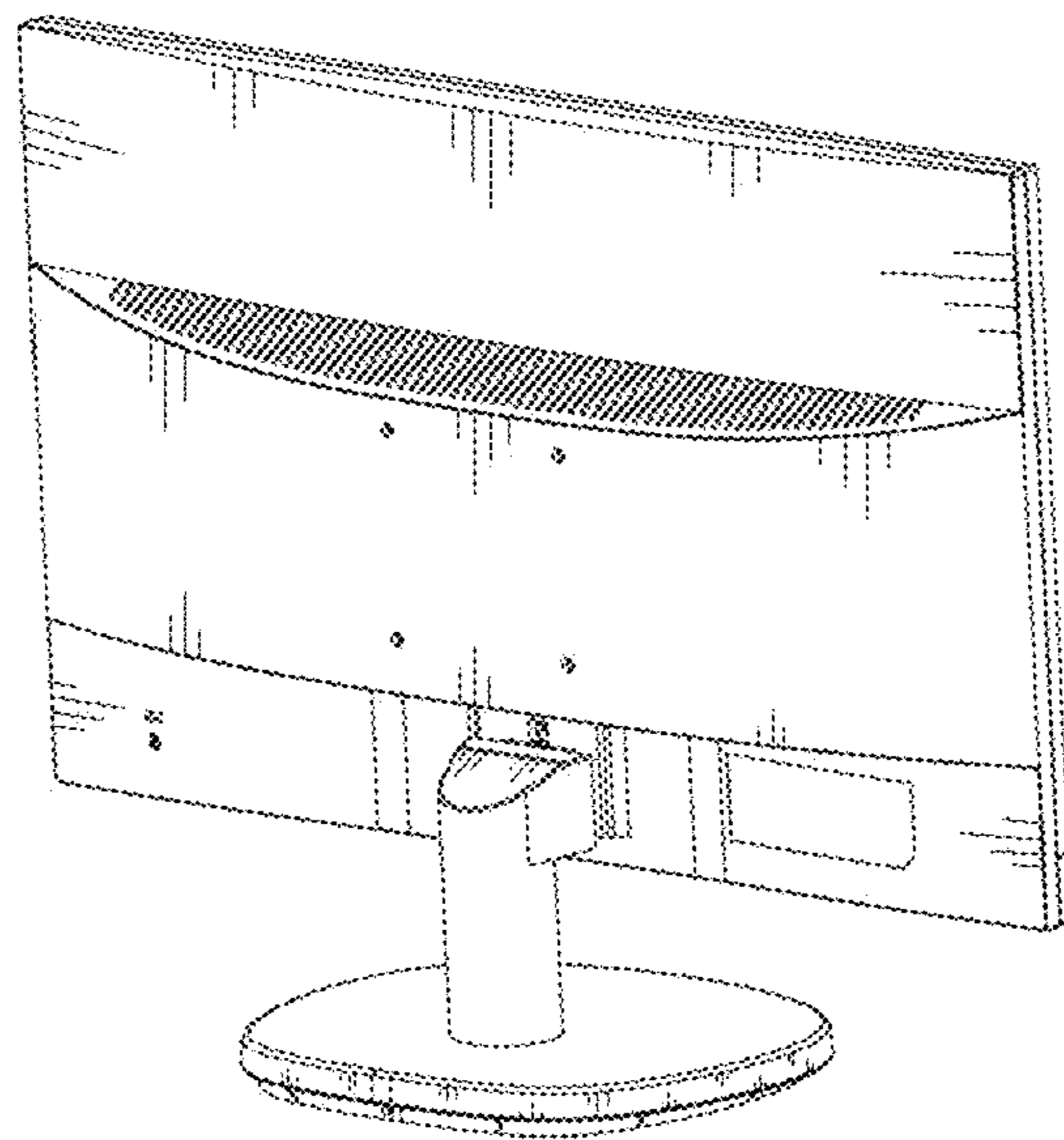


Fig. 8