



US00D801335S

(12) **United States Design Patent**
Klingebiel

(10) **Patent No.:** **US D801,335 S**

(45) **Date of Patent:** **** Oct. 31, 2017**

(54) **DATA TRANSMISSION DEVICE**

(71) Applicant: **Siemens Aktiengesellschaft**, Munich
(DE)

(72) Inventor: **Sven Klingebiel**, Braunschweig (DE)

(73) Assignee: **Siemens Aktiengesellschaft**, Munich
(DE)

(**) Term: **15 Years**

(21) Appl. No.: **29/543,382**

(22) Filed: **Oct. 23, 2015**

(30) **Foreign Application Priority Data**

May 4, 2015 (EM) 001434773

(51) **LOC (10) Cl.** **14-02**

(52) **U.S. Cl.**
USPC **D14/358**; D13/184

(58) **Field of Classification Search**
USPC D14/356-358, 314, 328, 348, 349, 353,
D14/354, 388, 496, 125, 137, 155, 230,
D14/240, 242, 243, 299, 300, 301, 302,
D14/140, 140.2, 308, 309; D13/101, 123,
D13/152, 158, 159, 162, 162.1, 163, 184,
D13/199; D6/663, 667, 668
CPC H04B 1/03; H04L 49/40; H04L 49/405;
H04L 25/00; H04L 25/02; H05K 5/00;
H05K 5/0217; G02B 6/4446; G02B
6/4448; G02B 6/4452

See application file for complete search history.

(56) **References Cited**

U.S. PATENT DOCUMENTS

D272,304 S * 1/1984 Palermo D13/184
D284,959 S * 8/1986 Berg D13/184
D297,737 S * 9/1988 Vosburgh D14/155
D314,182 S * 1/1991 Moerman D13/152
D336,303 S * 6/1993 Teitzman D13/184

D340,700 S * 10/1993 Shukur D13/184
D341,961 S * 12/1993 Howden D13/184
D360,620 S * 7/1995 Gehrs D13/152
D366,247 S * 1/1996 Mazura D13/184
D376,138 S * 12/1996 Moon D14/140.2
D390,835 S * 2/1998 Mayfield, III D13/184

(Continued)

OTHER PUBLICATIONS

Transmission Devices. (Design -© Questel). orbit.com. [online PDF] 14 pgs. Print Dates range Mar. 11, 2003—Jun. 4, 2015. [retrieved on Feb. 13, 2017] <https://sobjprd.questel.fr/export/QPTUJ214/pdf2/93da9037-fe56-4333-b3b7-05ce6c1921b9-150439.pdf>.*

Primary Examiner — Susan Bennett Hattan

Assistant Examiner — Marie Fast Horse

(74) *Attorney, Agent, or Firm* — Schiff Hardin LLP

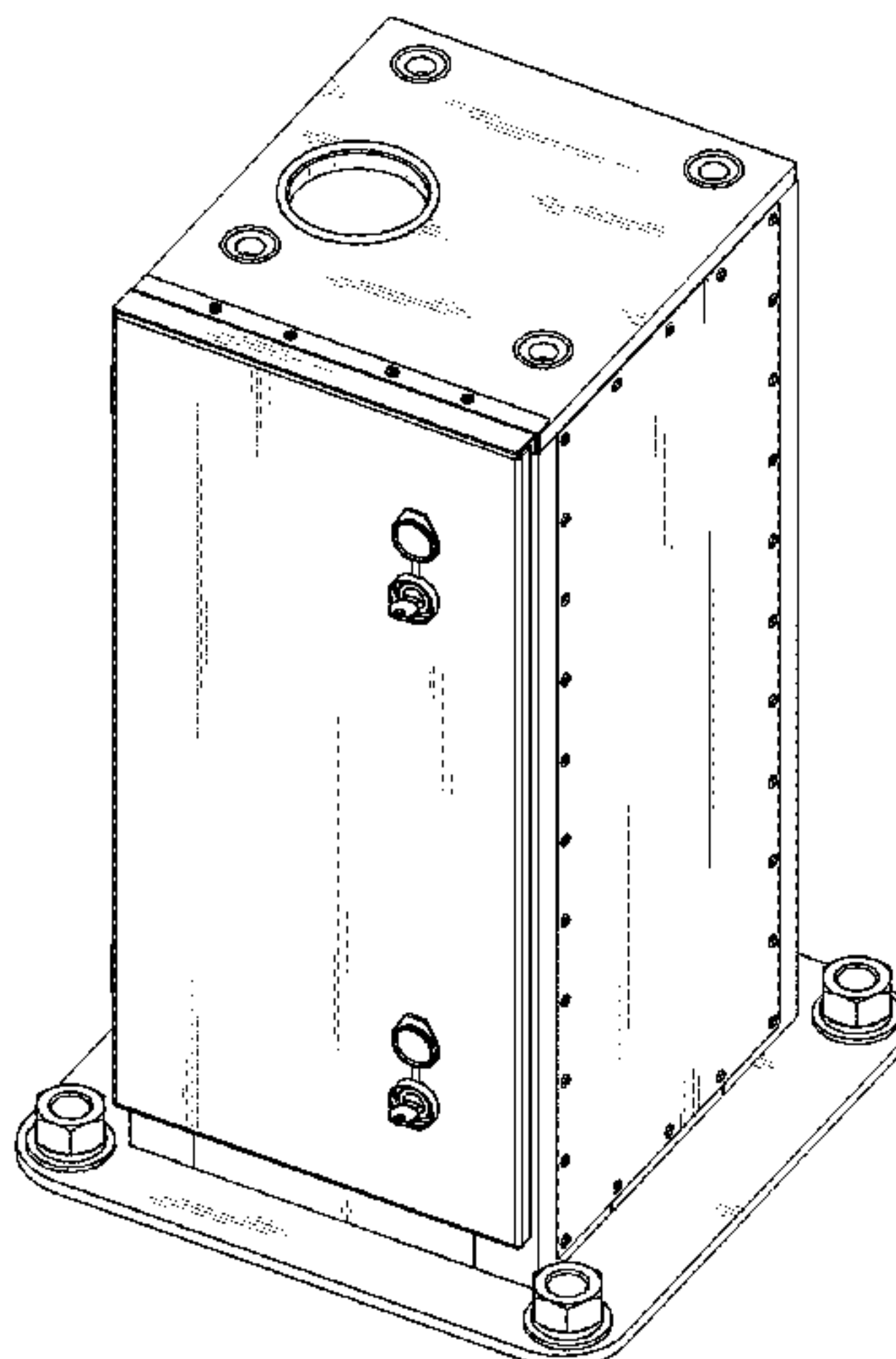
(57) **CLAIM**

The ornamental design for a data transmission device, as shown and described.

DESCRIPTION

FIG. 1 is a front elevational view of a data transmission device showing my new design;
FIG. 2 is a rear elevational view of the data transmission device of FIG. 1;
FIG. 3 is a top view of the data transmission device of FIG. 1;
FIG. 4 is a bottom view of the data transmission device of FIG. 1;
FIG. 5 is a right side view of the data transmission device of FIG. 1;
FIG. 6 is a left side view of the data transmission device of FIG. 1; and,
FIG. 7 is a perspective view between a front and a right side of the data transmission device of FIG. 1.
The broken lines in FIGS. 3 and 4 depict parts of the data transmission device that form no part of the claimed design.

1 Claim, 7 Drawing Sheets



(56)

References Cited

U.S. PATENT DOCUMENTS

D407,385 S *	3/1999	Belanger	D14/308	D666,560 S *	9/2012	Naumann	D13/160
D423,465 S *	4/2000	Runnalls	D14/140.2	D702,198 S *	4/2014	Gretz	D13/152
D425,493 S *	5/2000	Cutright	D13/184	D713,405 S *	9/2014	Akana	D14/349
D427,454 S *	7/2000	Munch	D13/184	D730,305 S *	5/2015	Brunn	D13/184
D466,087 S *	11/2002	Cuny	D13/152	D737,705 S *	9/2015	Moiraghi	D10/86
D468,555 S *	1/2003	Romaen	D6/667	D743,358 S *	11/2015	Cagliani	D13/184
D485,537 S *	1/2004	Hindle	D13/184	D772,221 S *	11/2016	Kacin	D14/308
D514,563 S *	2/2006	Kuramashi	D14/349	D772,222 S *	11/2016	Kacin	D14/308
D522,269 S *	6/2006	Walker	D6/663	D772,223 S *	11/2016	Kacin	D14/308
D524,740 S *	7/2006	Witte	D13/134	D772,224 S *	11/2016	Kacin	D14/308
D553,876 S *	10/2007	Walker	D6/663	2007/0210681 A1 *	9/2007	Adducci	E05C 9/043 312/7.2
D584,251 S *	1/2009	Lewis, II	D13/184	2007/0278915 A1 *	12/2007	Conrardy	H01M 2/1077 312/257.1
D598,906 S *	8/2009	Chiba	D14/240	2015/0359117 A1 *	12/2015	Turati	H02B 1/014 312/223.1
D606,543 S *	12/2009	Wong	D14/358	2016/0066314 A1 *	3/2016	Notargiacomo	H04B 1/03 455/509
D638,367 S *	5/2011	Isaacks	D13/139.4	2017/0027068 A1 *	1/2017	Dane	H05K 5/0026
D643,376 S *	8/2011	Naumann	D13/160				
D658,638 S *	5/2012	Poddaturi	D14/230				

* cited by examiner

FIG 1

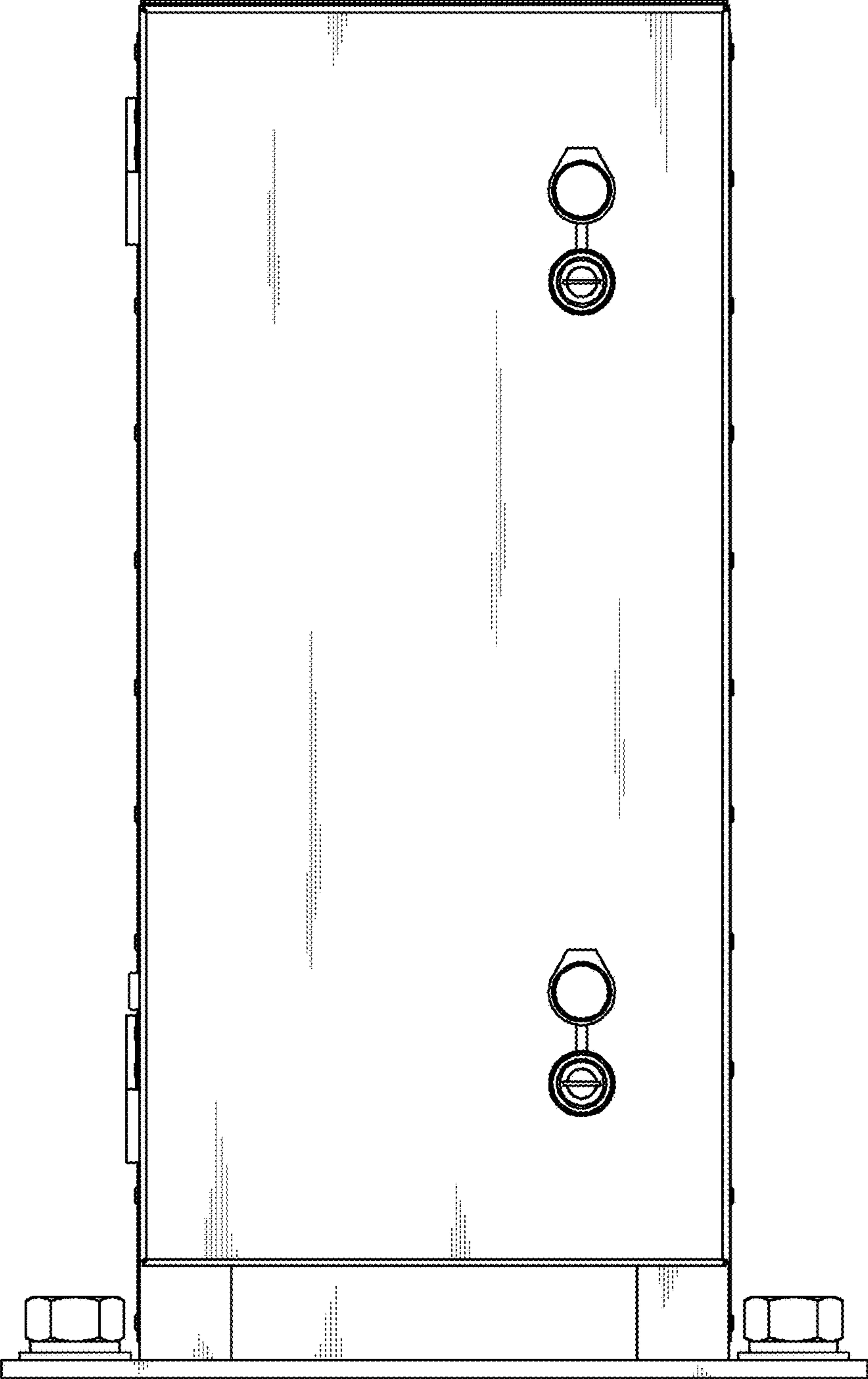


FIG 2

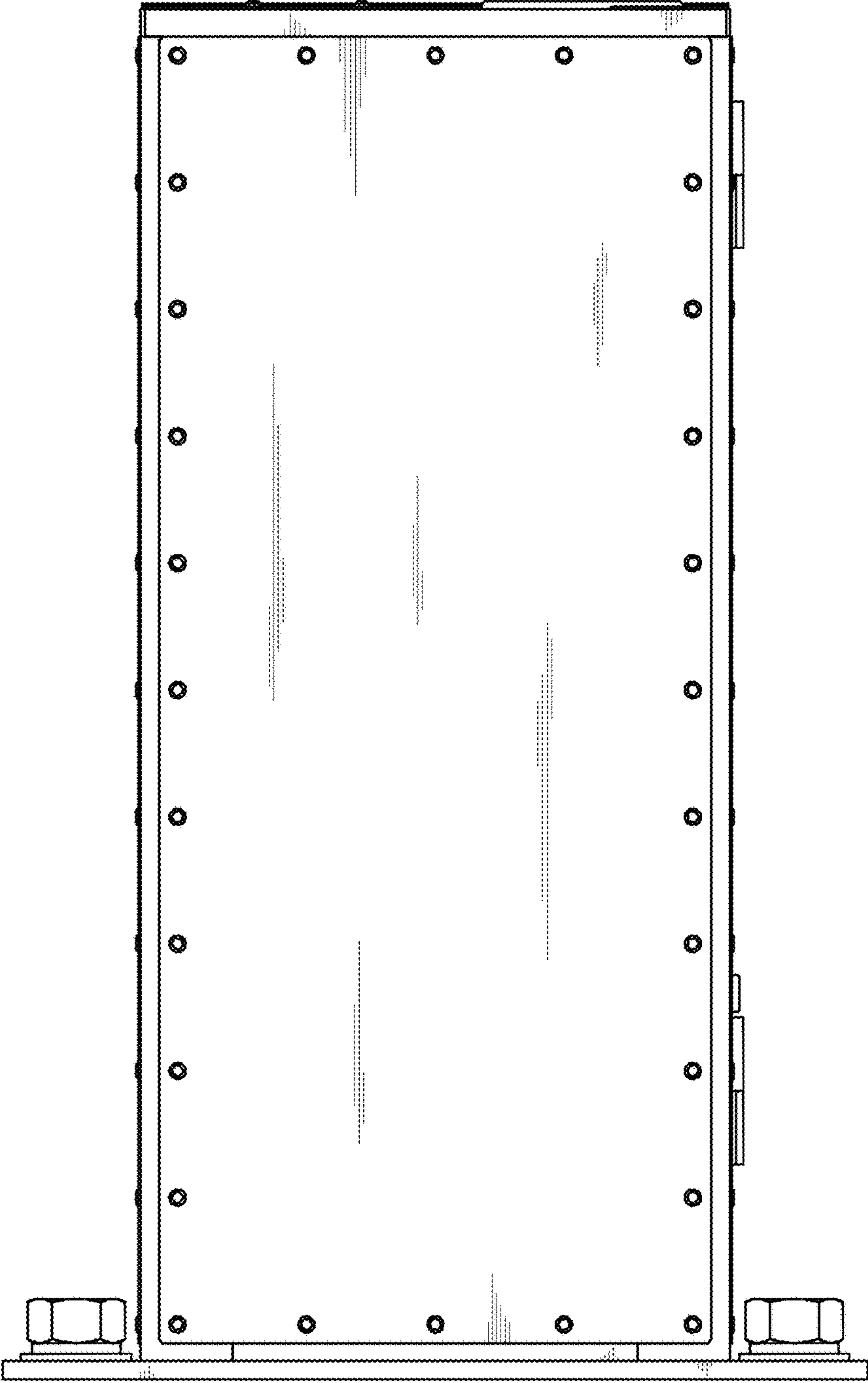


FIG 3

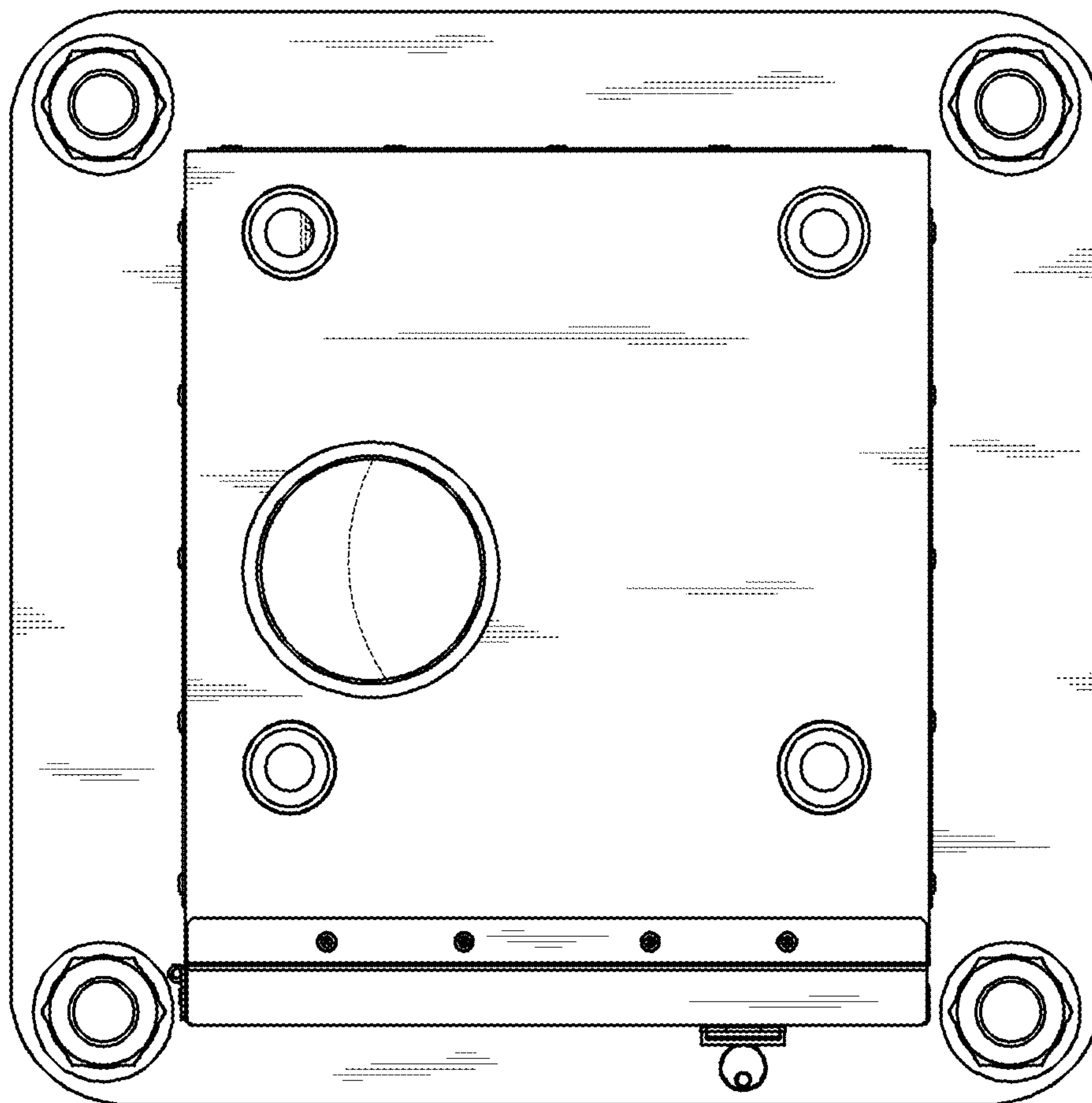


FIG 4

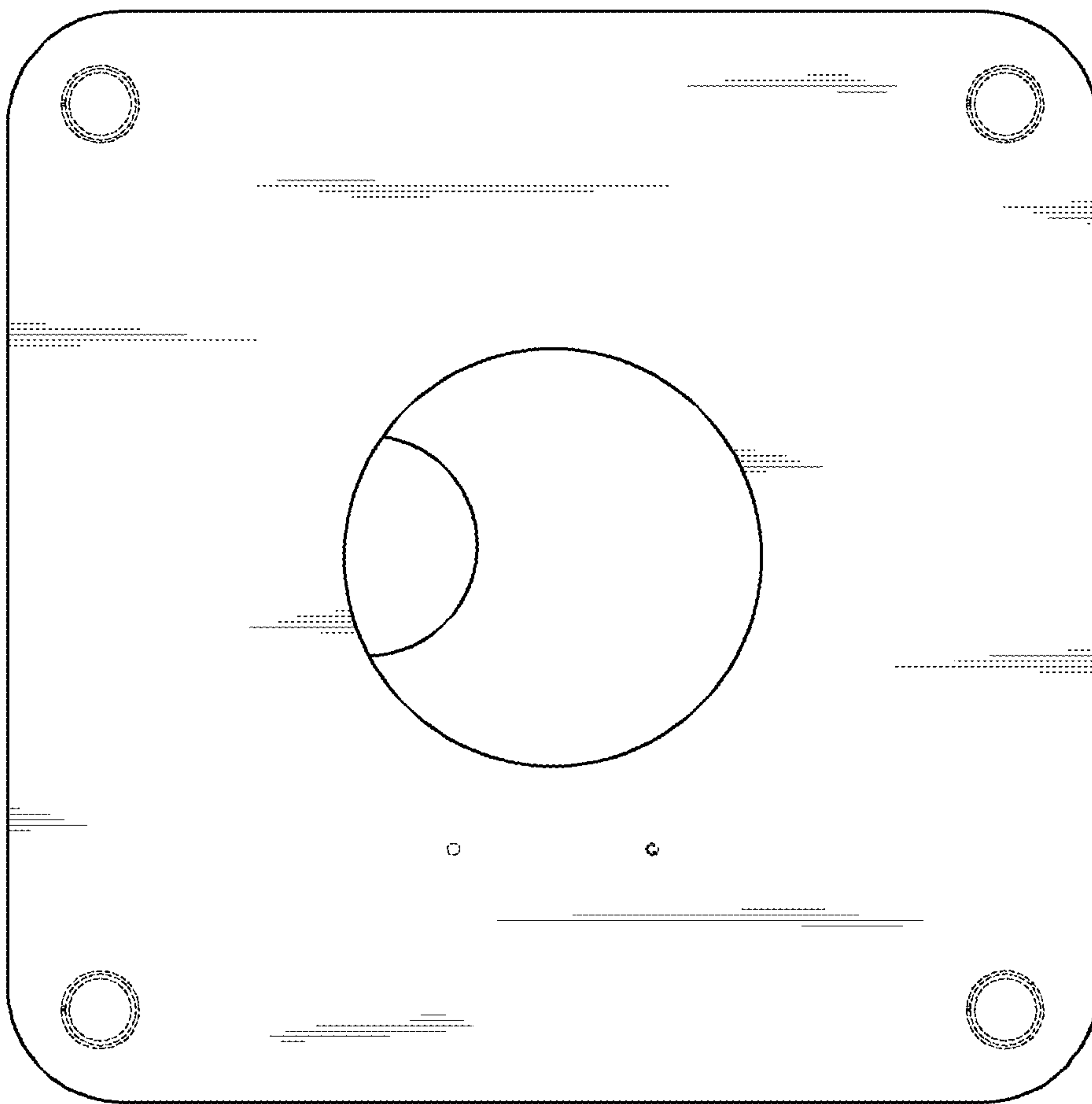


FIG 5

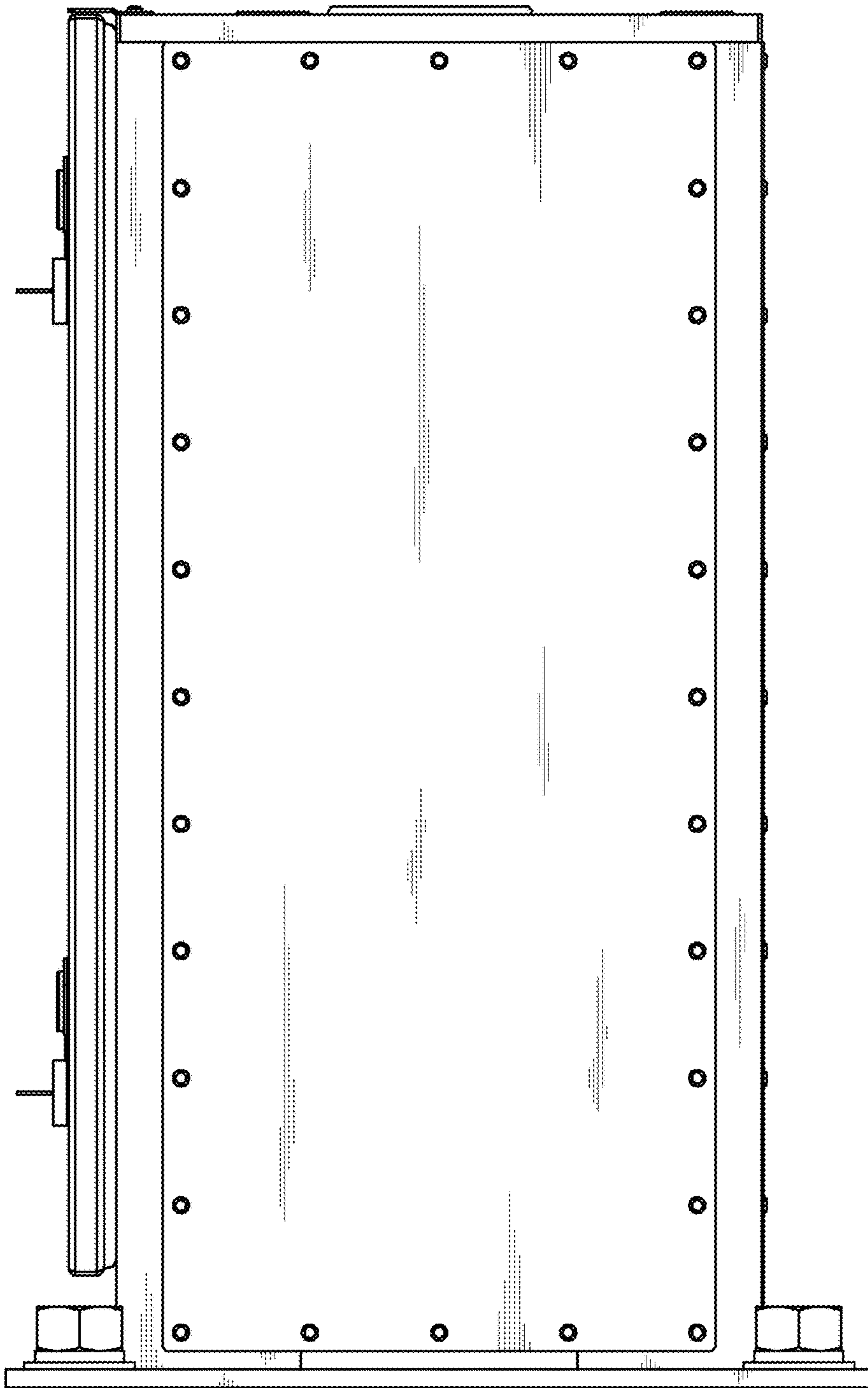


FIG 6

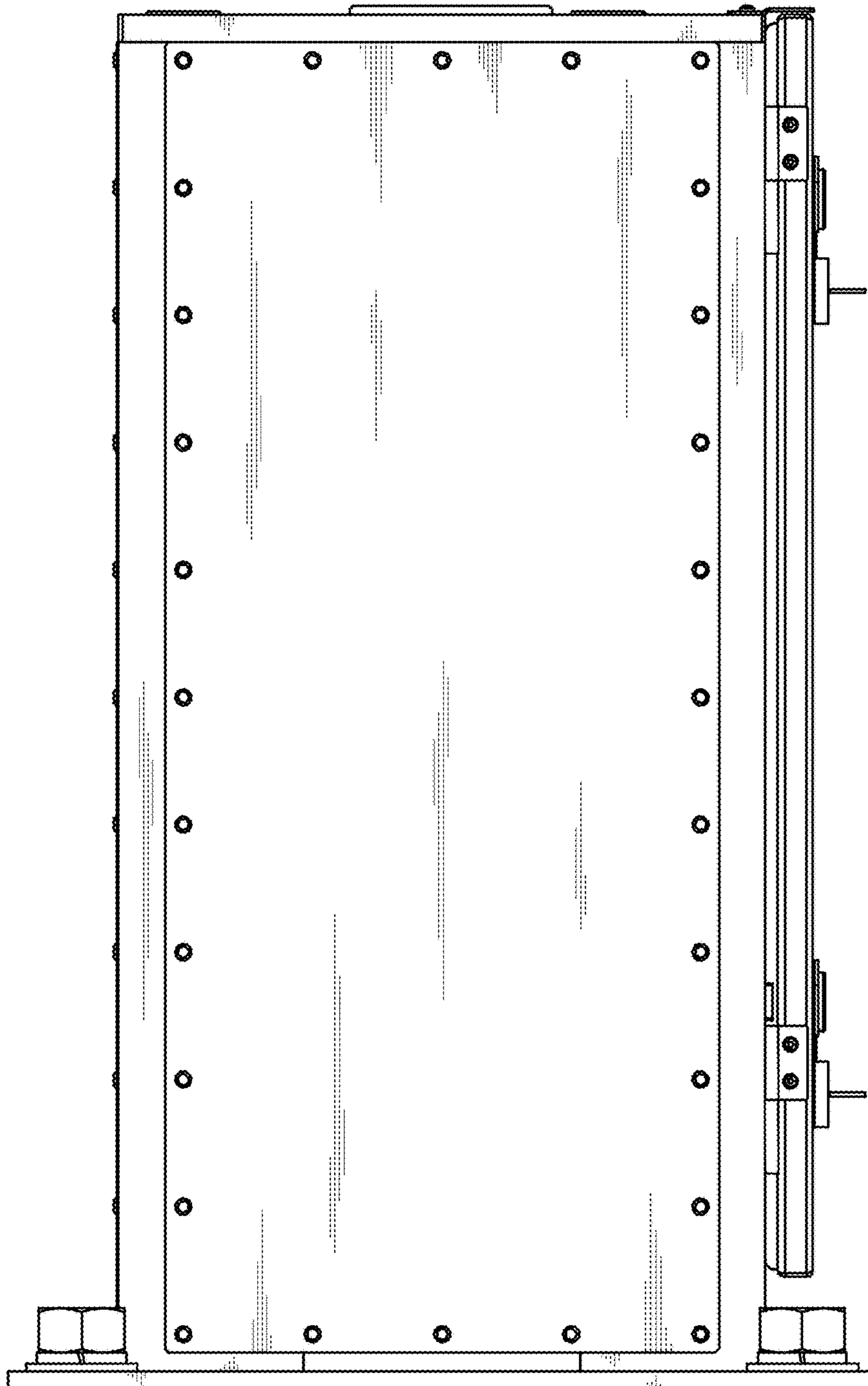


FIG 7

