



US00D801333S

(12) **United States Design Patent**
Hong et al.

(10) **Patent No.:** **US D801,333 S**
(45) **Date of Patent:** **** Oct. 31, 2017**

(54) **ELECTRONIC DEVICE**

(71) Applicant: **Samsung Electronics Co., Ltd.**,
Suwon-si (KR)

(72) Inventors: **Kwaneui Hong**, Yongin-si (KR);
Sungkwon Kim, Seoul (KR); **Chungha Kim**, Seoul (KR)

(73) Assignee: **SAMSUNG ELECTRONICS CO., LTD.**,
Suwon-si (KR)

(**) Term: **15 Years**

(21) Appl. No.: **29/548,486**

(22) Filed: **Dec. 14, 2015**

(30) **Foreign Application Priority Data**

Jun. 24, 2015 (KR) 30-2015-0031952

(51) **LOC (10) Cl.** **14-02**

(52) **U.S. Cl.**
USPC **D14/345**

(58) **Field of Classification Search**
USPC D14/315, 341-345, 320, 392
CPC G06F 1/16; G06F 3/00; G06F 3/14; H04B
1/38; H05K 7/00
See application file for complete search history.

(56) **References Cited**

U.S. PATENT DOCUMENTS

- D639,296 S * 6/2011 Tseng D14/345
- D678,272 S * 3/2013 Groene D14/341
- D683,731 S * 6/2013 Chiu D14/345
- D688,237 S * 8/2013 Paulhac D14/315
- D690,302 S * 9/2013 Park D14/392
- D696,254 S * 12/2013 Groene D14/341
- D709,490 S * 7/2014 Lee D14/315
- 8,913,376 B2 * 12/2014 Wu G06F 1/1626
248/917
- D753,648 S * 4/2016 Shyu D14/315

- D779,485 S * 2/2017 Akana D14/345
- D780,174 S * 2/2017 Park D14/341
- D789,355 S * 6/2017 Cebe D14/315
- D789,369 S * 6/2017 Kim D14/391
- 2012/0140396 A1 * 6/2012 Zelif G06F 1/1628
361/679.09

(Continued)

FOREIGN PATENT DOCUMENTS

- EM 001427058-0003 1/2015
- KR 30-0783066 2/2015

Primary Examiner — Barbara Fox

(74) *Attorney, Agent, or Firm* — McAndrews Held & Malloy, Ltd.

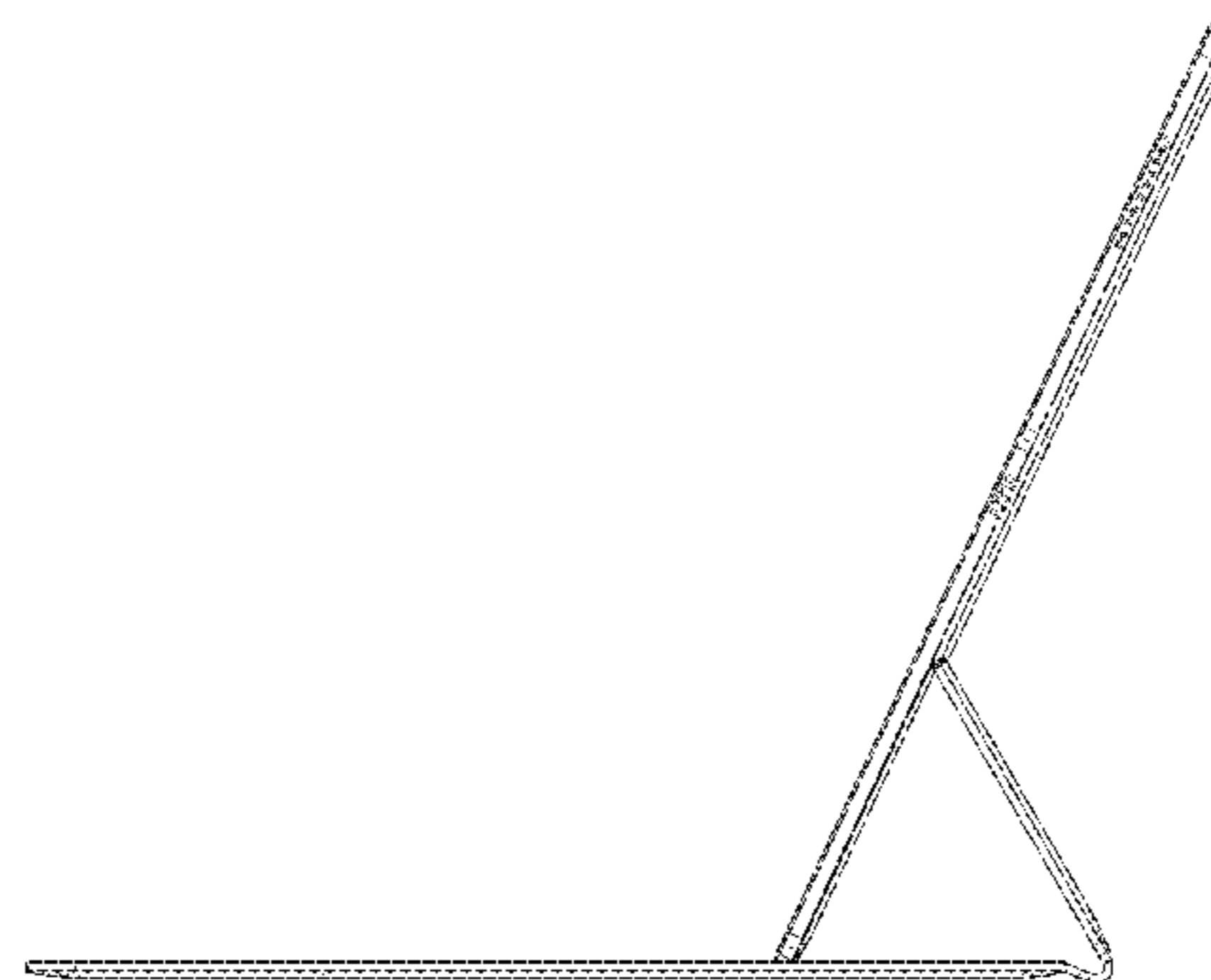
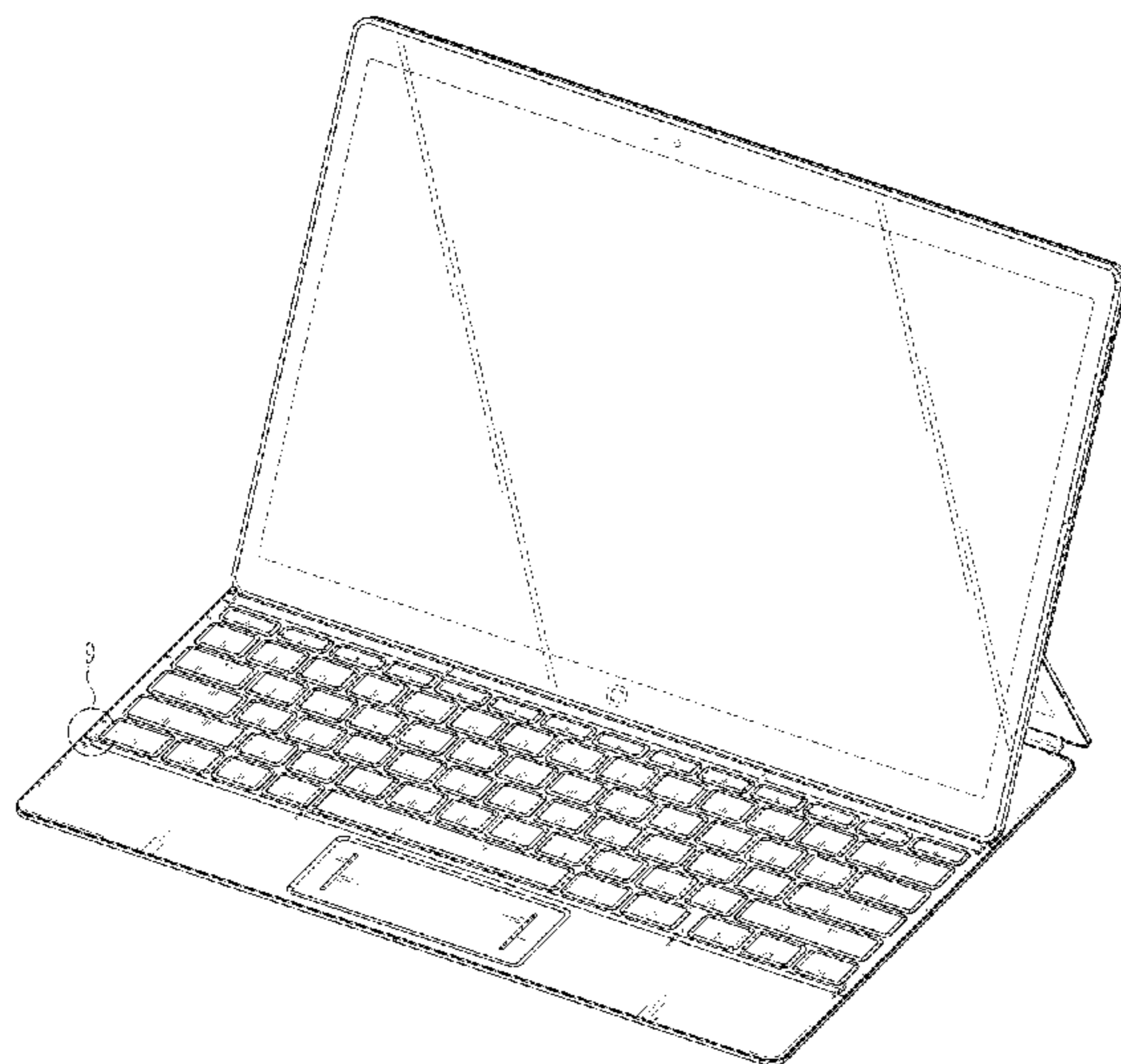
(57) **CLAIM**

The ornamental design for an electronic device, as shown and described.

DESCRIPTION

FIG. 1 is a front perspective view of an electronic device showing our new design;
 FIG. 2 is a front elevation view thereof;
 FIG. 3 is a rear elevation view thereof;
 FIG. 4 is a left-side elevation view thereof;
 FIG. 5 is a right-side elevation view thereof;
 FIG. 6 is a top plan view thereof;
 FIG. 7 is a bottom plan view thereof;
 FIG. 8 is a rear perspective view thereof;
 FIG. 9 is an enlarged view of the encircled portion of FIG. 1; and,
 FIG. 10 is an enlarged view of the encircled portion of FIG. 4.
 The dashed broken lines depict portions of the electronic device that form no part of the claimed design.
 The dot-dash broken lines encircle portions of the claimed design that are illustrated in enlargements and form no part of the claimed design.

1 Claim, 9 Drawing Sheets



(56)

References Cited

U.S. PATENT DOCUMENTS

2012/0293953 A1* 11/2012 Wu F16M 11/10
361/679.56
2013/0271373 A1* 10/2013 Milhe G06F 1/1671
345/168
2014/0071654 A1* 3/2014 Chien H01H 13/704
362/23.03
2014/0262715 A1* 9/2014 Lee H01H 13/85
200/5 A

* cited by examiner

FIG. 1

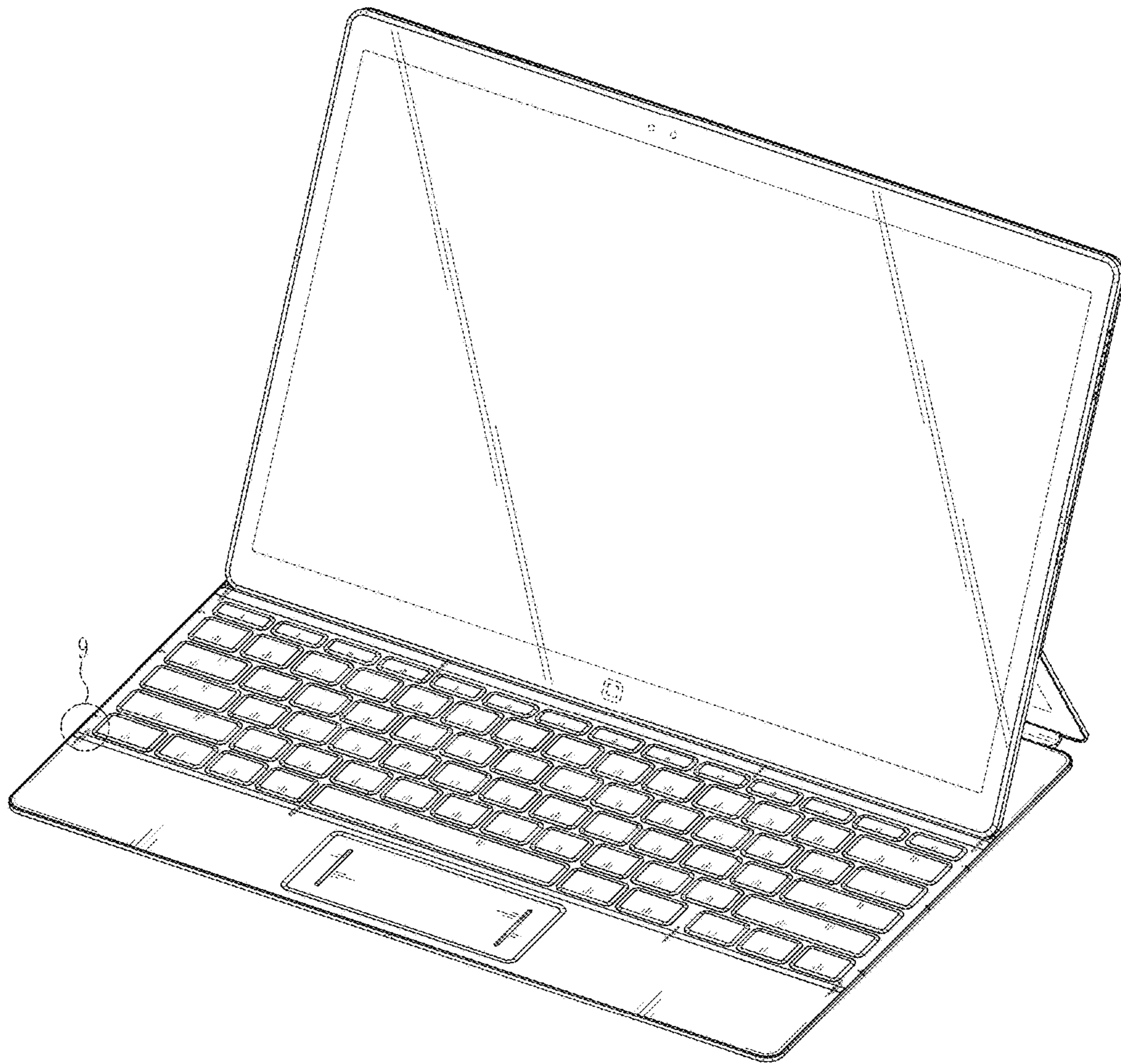


FIG. 2

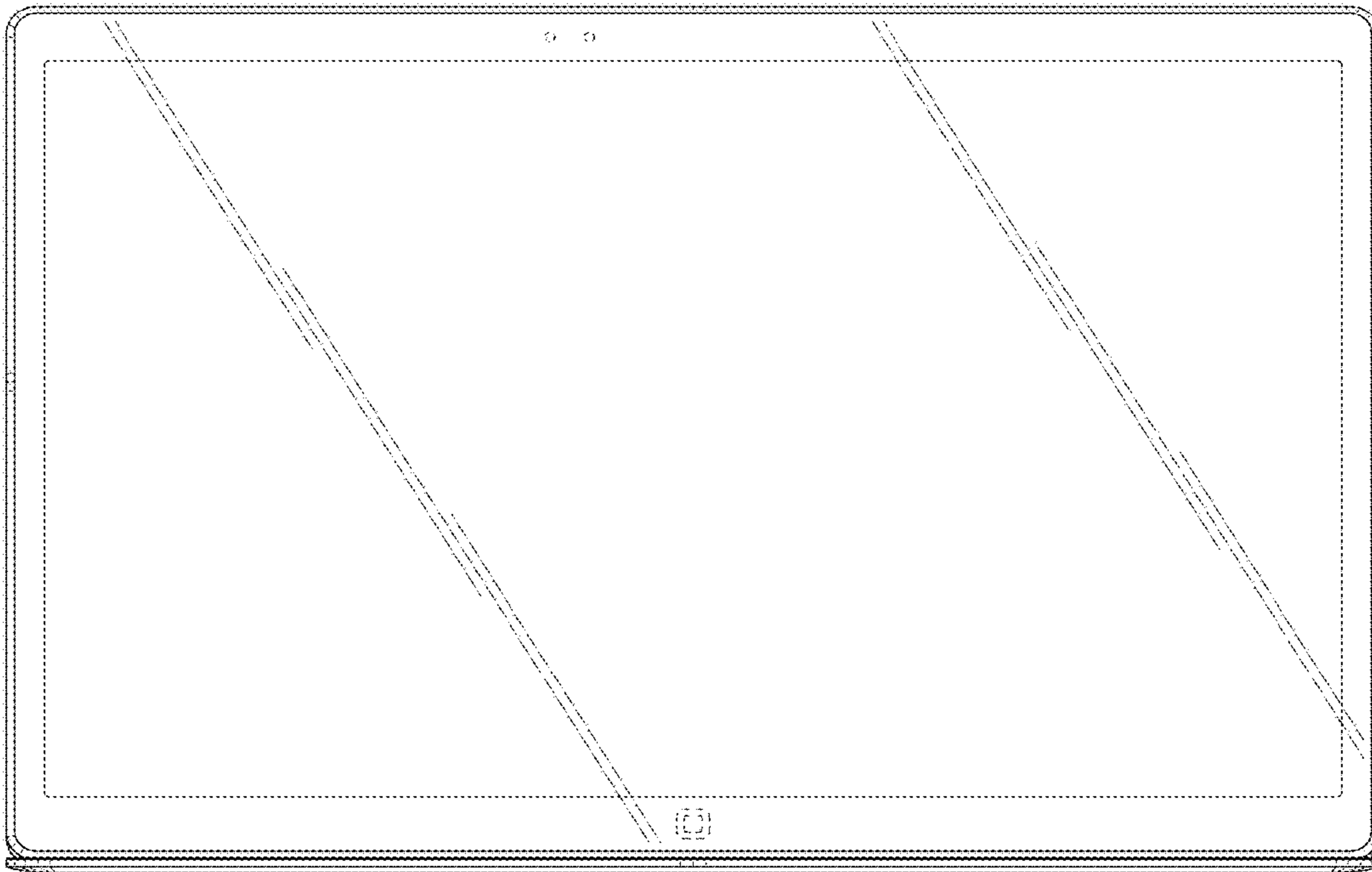


FIG. 3

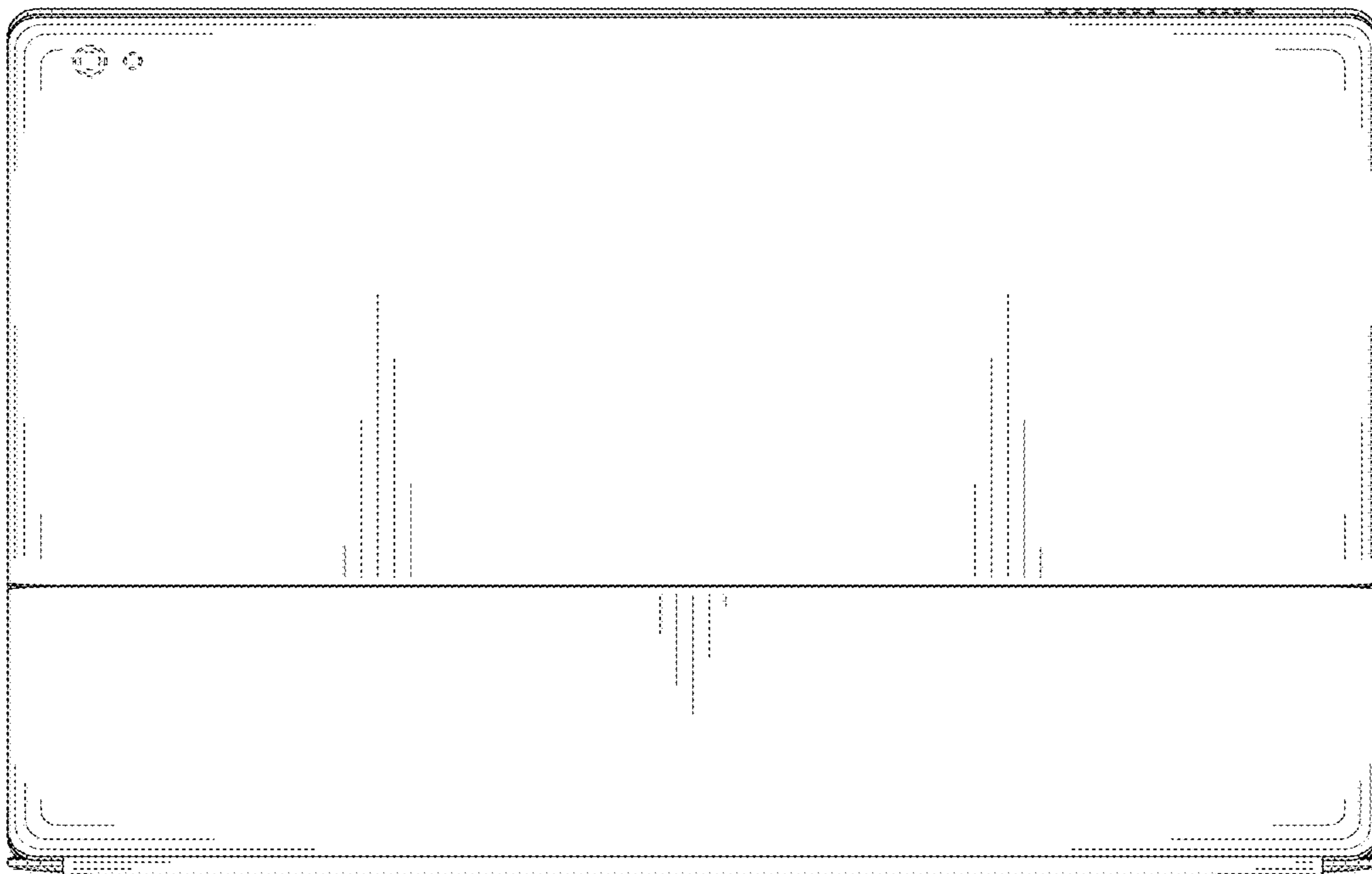


FIG. 4

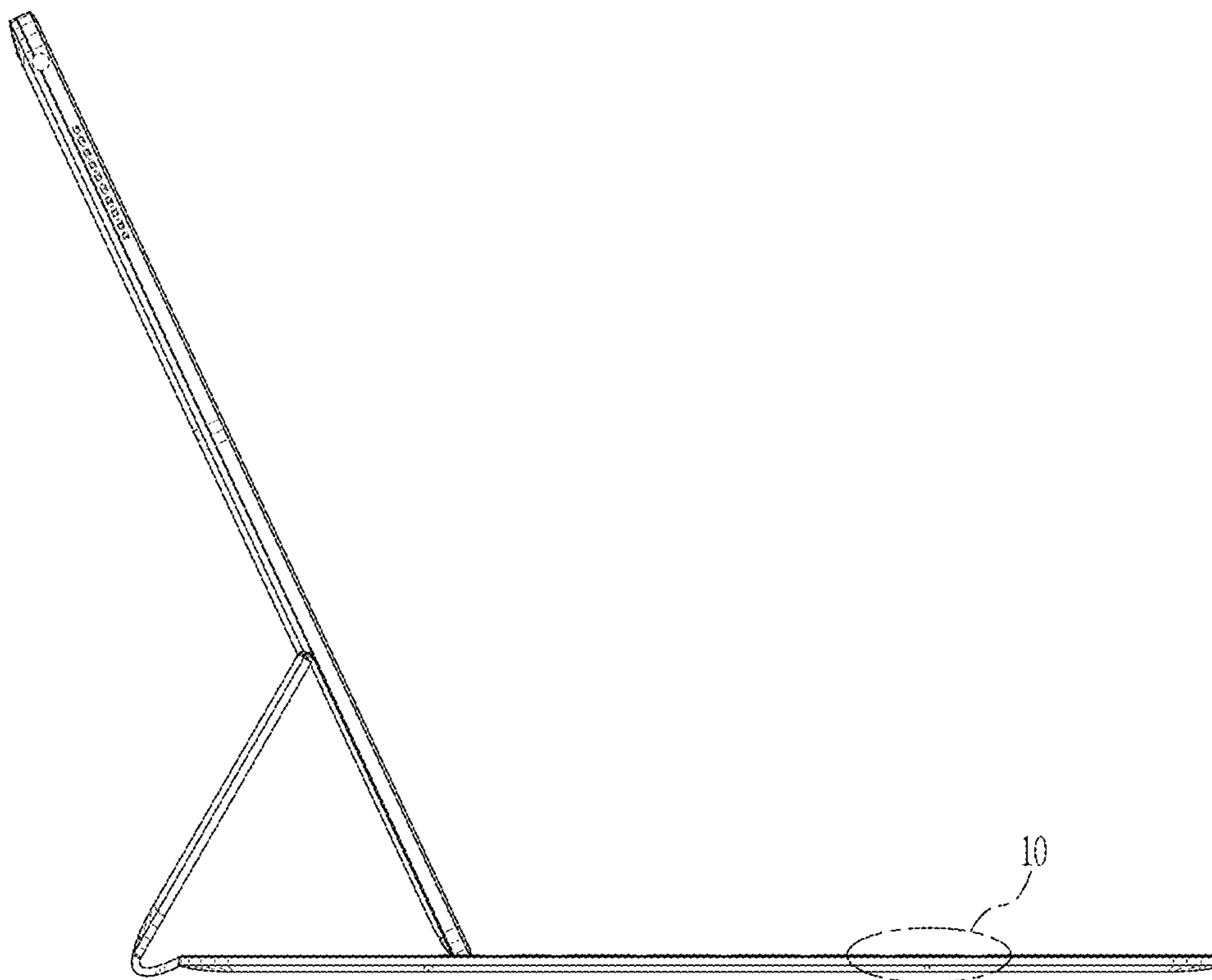


FIG. 5

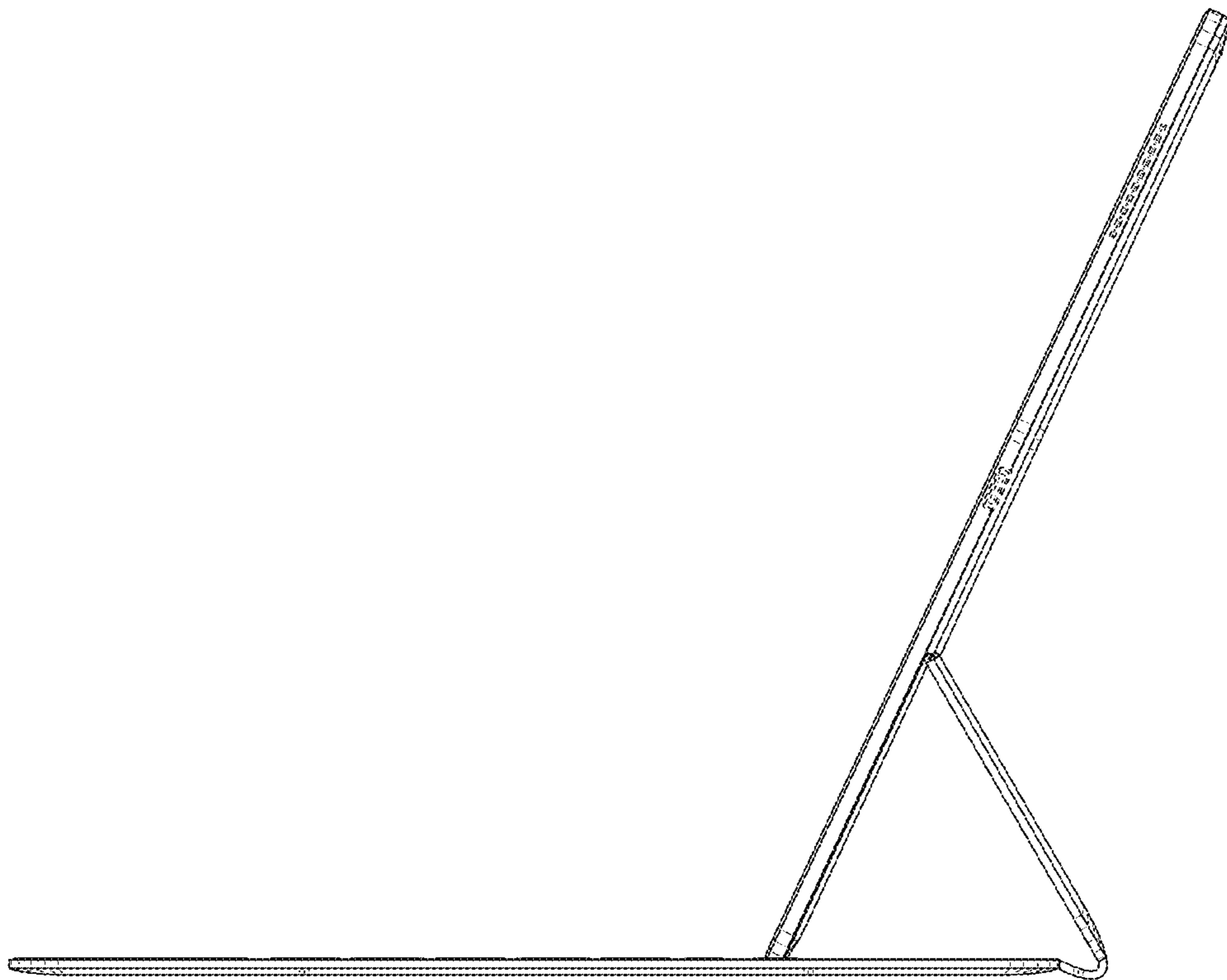


FIG. 6

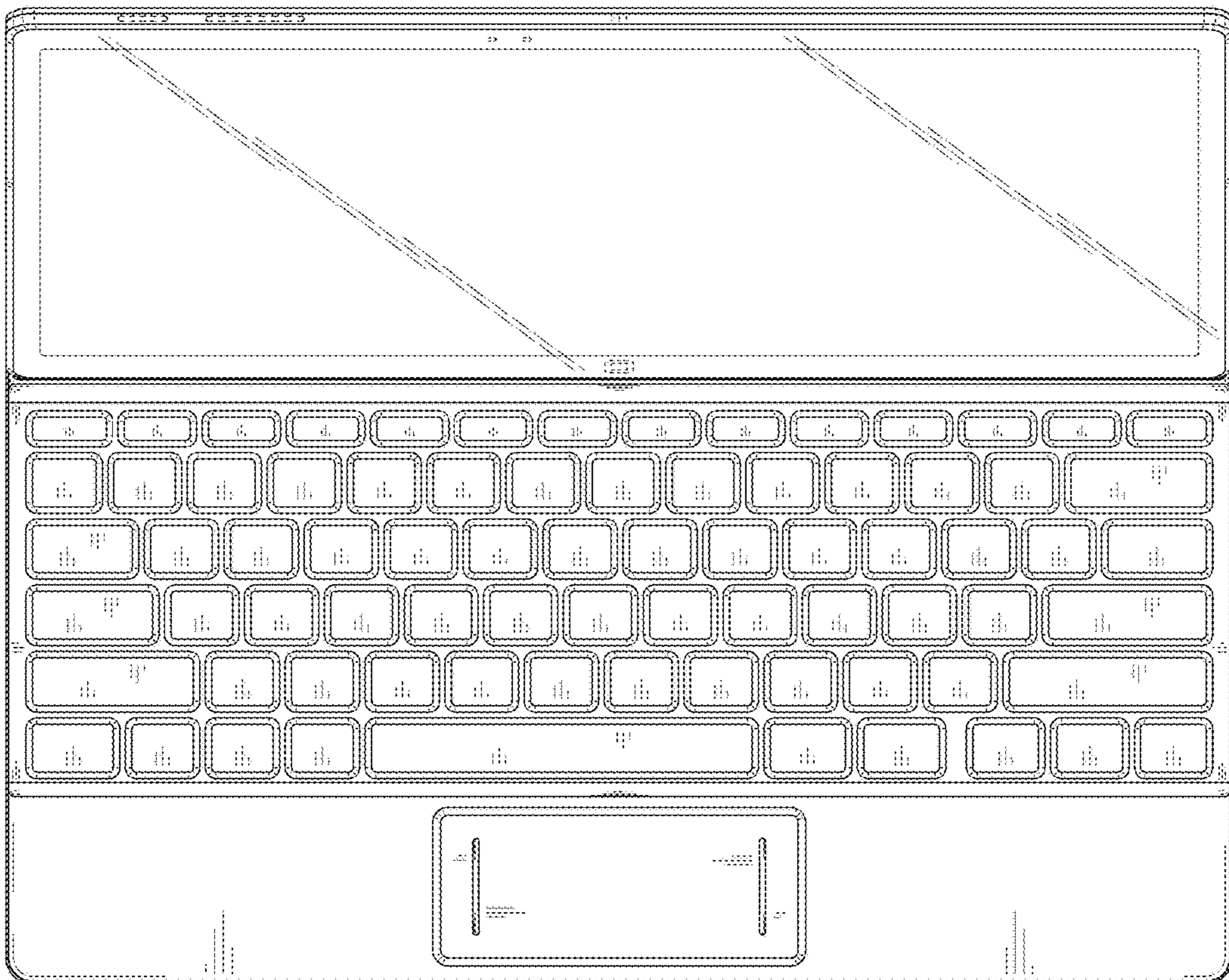


FIG. 7

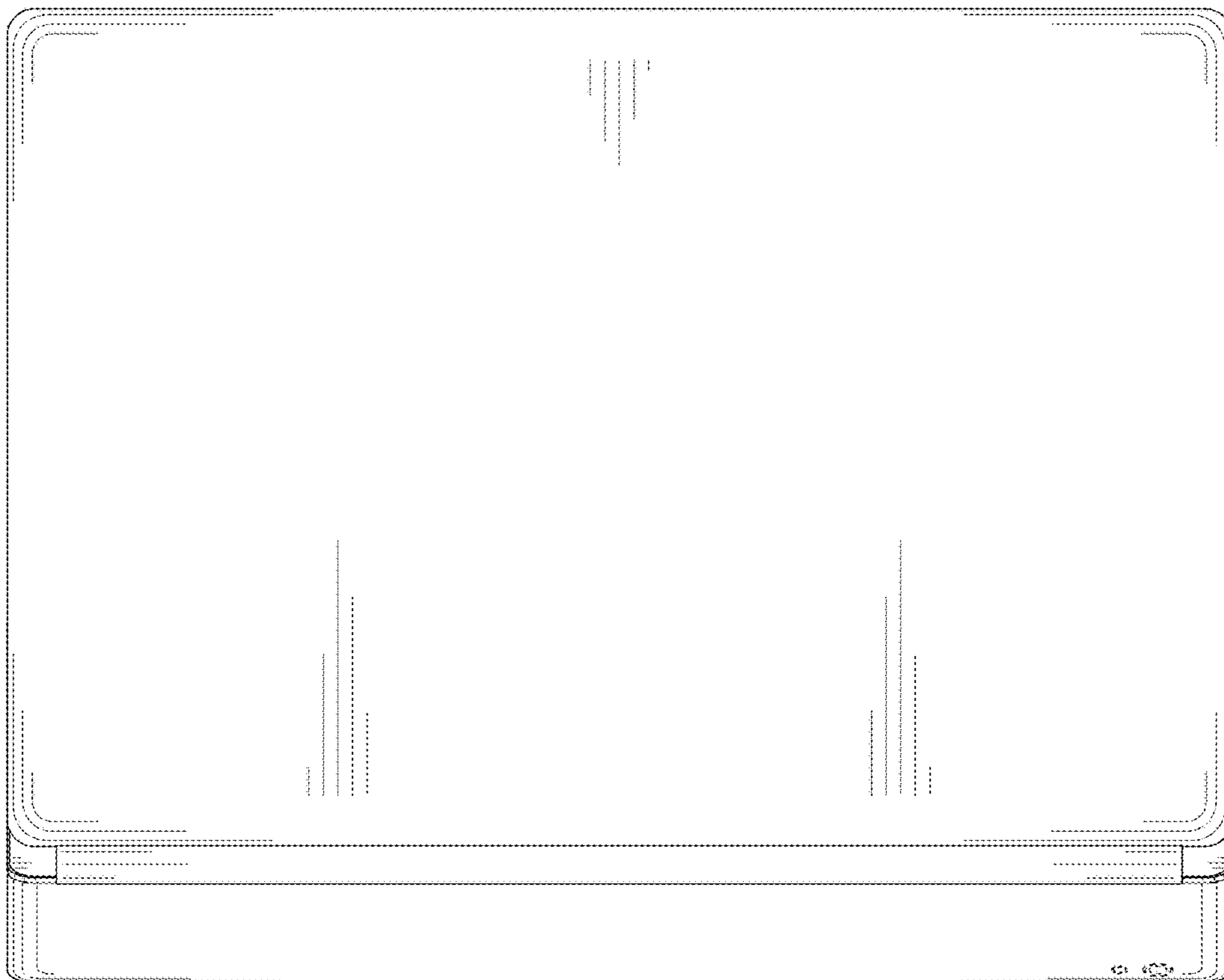


FIG. 8

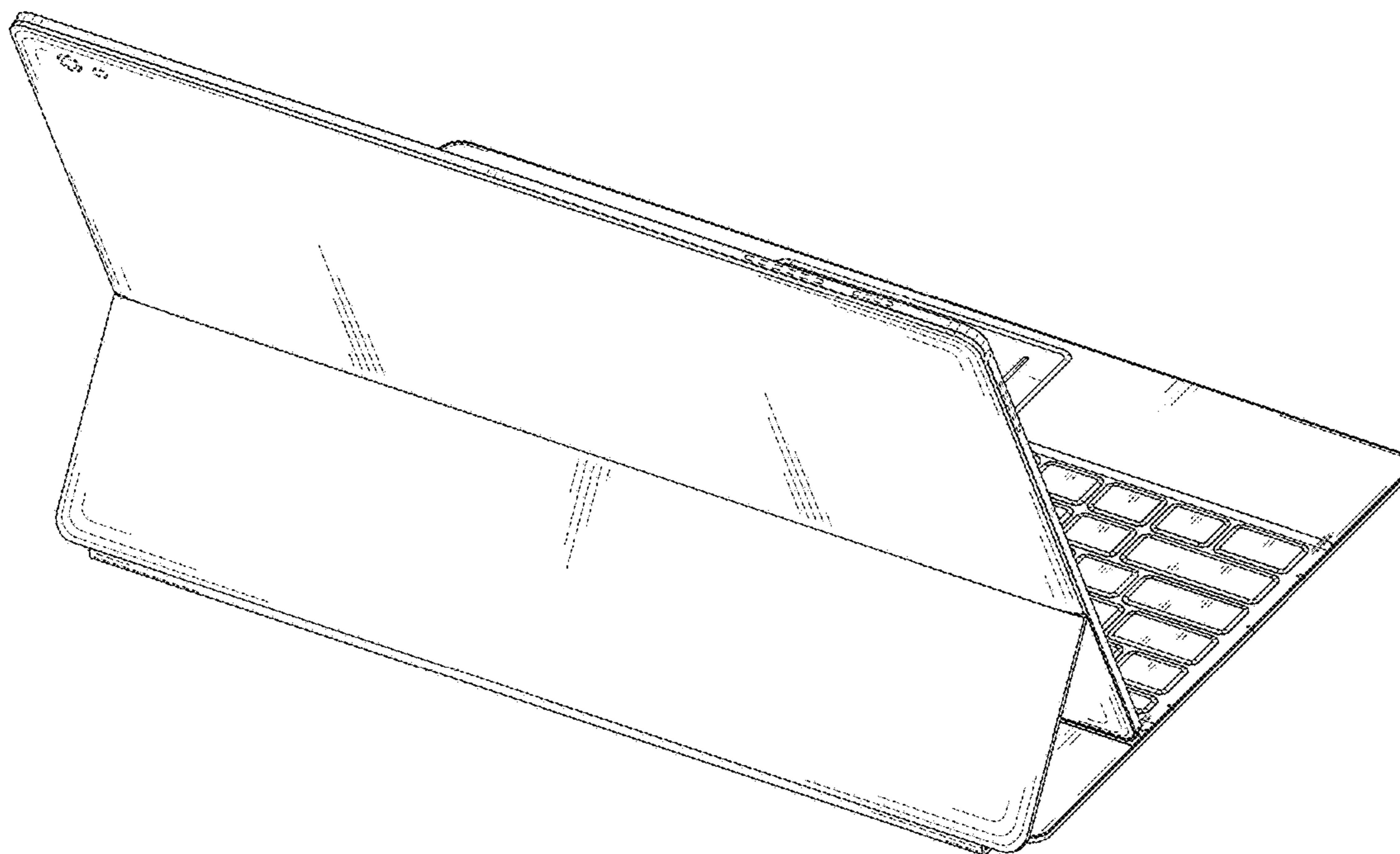


FIG. 9

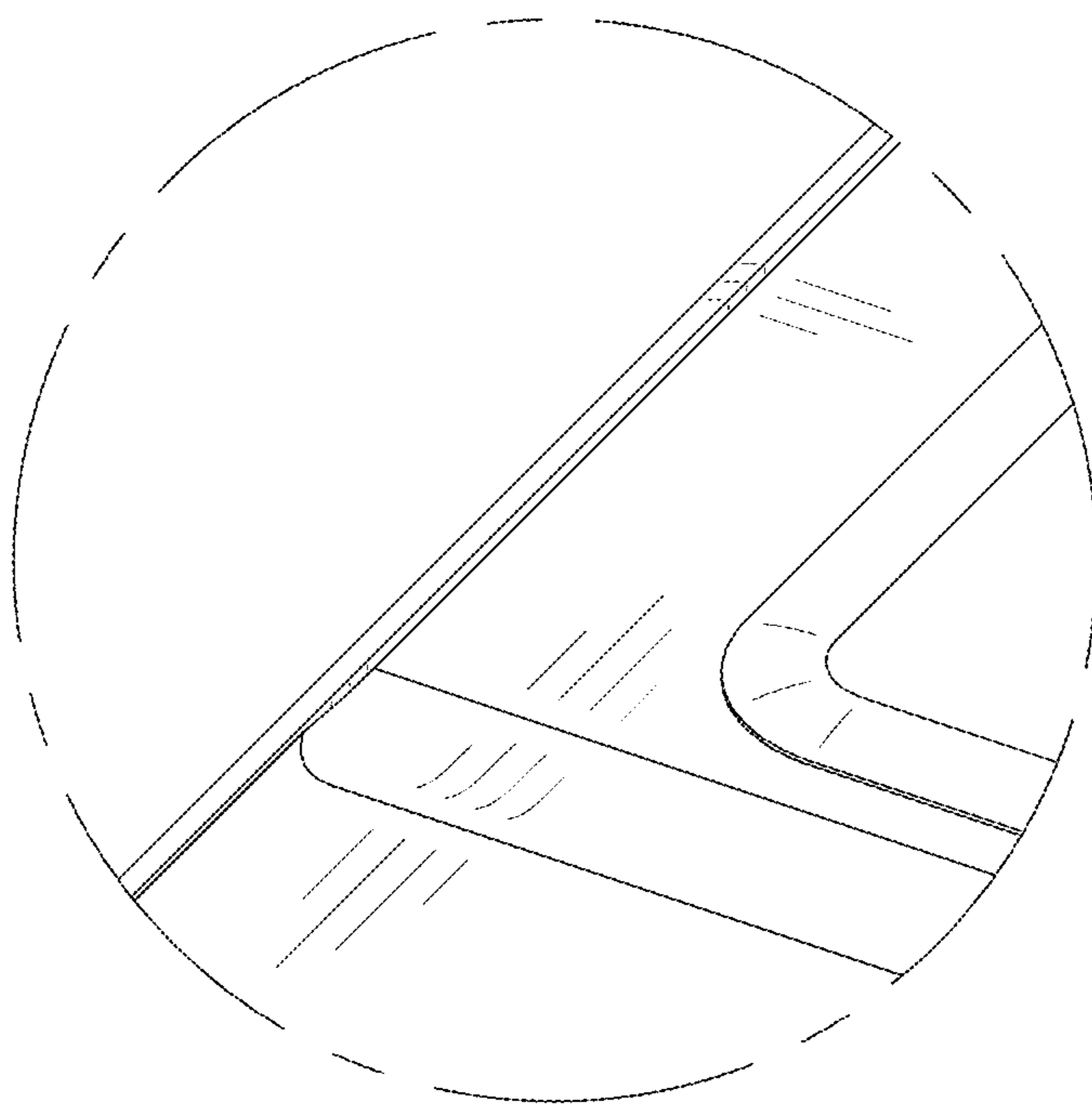


FIG. 10

