



US00D801332S

(12) **United States Design Patent**
Jin

(10) **Patent No.:** **US D801,332 S**
(45) **Date of Patent:** **** Oct. 31, 2017**

(54) **WRIST-WORN SMART ELECTRONIC DEVICE**

(71) Applicant: **Lenovo (Beijing) Co., Ltd.**, Beijing (CN)

(72) Inventor: **Lingsong Jin**, Beijing (CN)

(73) Assignee: **LENOVO (BEIJING) CO., LTD.**, Beijing (CN)

(**) Term: **15 Years**

(21) Appl. No.: **29/535,232**

(22) Filed: **Aug. 5, 2015**

(30) **Foreign Application Priority Data**

Feb. 13, 2015 (CN) 2015 3 0045702

(51) **LOC (10) Cl.** **14-02**

(52) **U.S. Cl.**
USPC **D14/344**

(58) **Field of Classification Search**

USPC D2/623, 626, 639, 878; D8/88, 356; D10/30-39, 70, 98; D11/3, 87, 93-94, D11/200, 201, 210, 216, 218, 221, D11/230-231; D14/344, 138 R, 144, D14/358; D24/167, 169, 186-187
CPC G06F 1/163; G06F 1/1628; G06F 1/1626; G06F 1/1635; G06F 1/08; G06F 1/10; G06F 1/04; G06F 1/14; G06F 1/3203; A41D 1/002; H04M 1/02; H04M 1/03; H04M 1/04; H04M 1/05; H04M 1/667; Y02B 60/1217; H04B 1/385; H04B 1/3888; G06Q 20/10; G06Q 20/108; G06Q 20/12; G06Q 20/145

See application file for complete search history.

(56) **References Cited**

U.S. PATENT DOCUMENTS

D236,592 S * 9/1975 Portmann D10/32
D279,671 S * 7/1985 Stanton D10/32

D296,675 S * 7/1988 Jones D10/30
D297,312 S * 8/1988 Ishizaka D10/32
D299,028 S * 12/1988 Hermann D10/31
D549,602 S * 8/2007 Oberrieder D10/65
D550,105 S * 9/2007 Oberrieder D10/65
D560,520 S * 1/2008 Oberrieder D10/65

(Continued)

OTHER PUBLICATIONS

Garmin Forerunner 305 Wrist-Worn GPS Personal Training Device with Heart Rate Monitor (discontinued by manufacturer), posted May 5, 2006, [retrieved Jan. 10, 2017]. Retrieved from Internet, <URL: <https://www.amazon.co.uk/Garmin-Forerunner-305-discontinued-discontinued/dp/B000FMQ296> >.*

Primary Examiner — Barbara Fox

Assistant Examiner — Kristin E Reed

(74) *Attorney, Agent, or Firm* — Oppedahl Patent Law Firm LLC

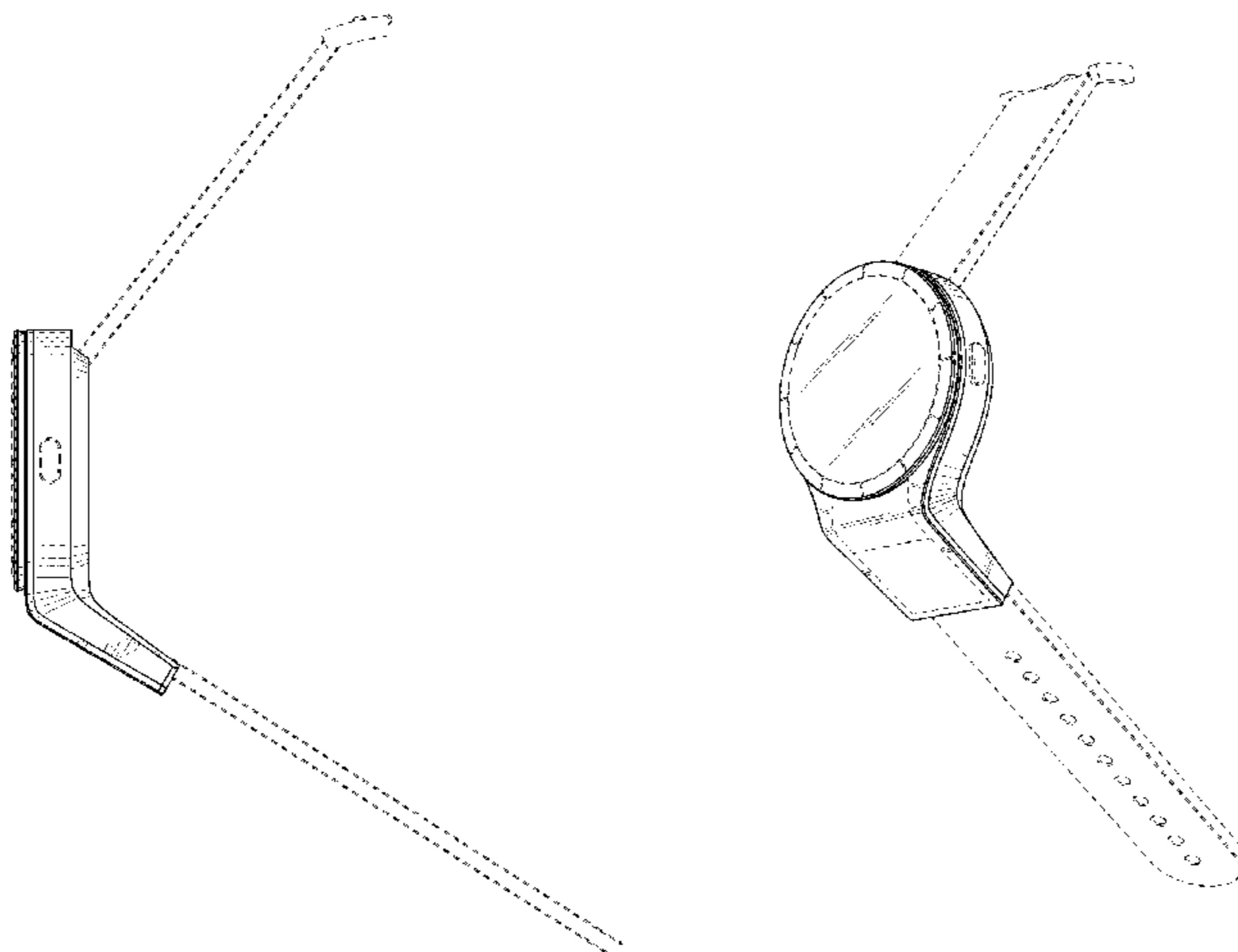
(57) **CLAIM**

The ornamental design for a wrist-worn smart electronic device, as shown and described.

DESCRIPTION

FIG. 1 is a front view of a wrist-worn smart electronic device showing our new design;
FIG. 2 is a rear view thereof;
FIG. 3 is a left view thereof;
FIG. 4 is a right view thereof;
FIG. 5 is a top view thereof;
FIG. 6 is a bottom view thereof; and,
FIG. 7 is a perspective view thereof.
The broken lines shown of a band illustrate the environment. The remainder of the broken lines illustrate portions of the wrist-worn smart electronic device. The broken lines form no part of the claimed design.

1 Claim, 7 Drawing Sheets



(56)

References Cited

U.S. PATENT DOCUMENTS

7,828,697 B1 * 11/2010 Oberrieder A63B 24/0062
482/1
D725,072 S * 3/2015 Kim D10/38
D727,195 S * 4/2015 Wanliss-Orlebar D11/3
D729,654 S * 5/2015 Nuovo D10/103
D730,198 S * 5/2015 Perko D10/31
D742,373 S * 11/2015 Ji D10/38
D754,548 S * 4/2016 Block D10/32
2009/0298605 A1 * 12/2009 Wiegers A63B 57/00
473/199

* cited by examiner

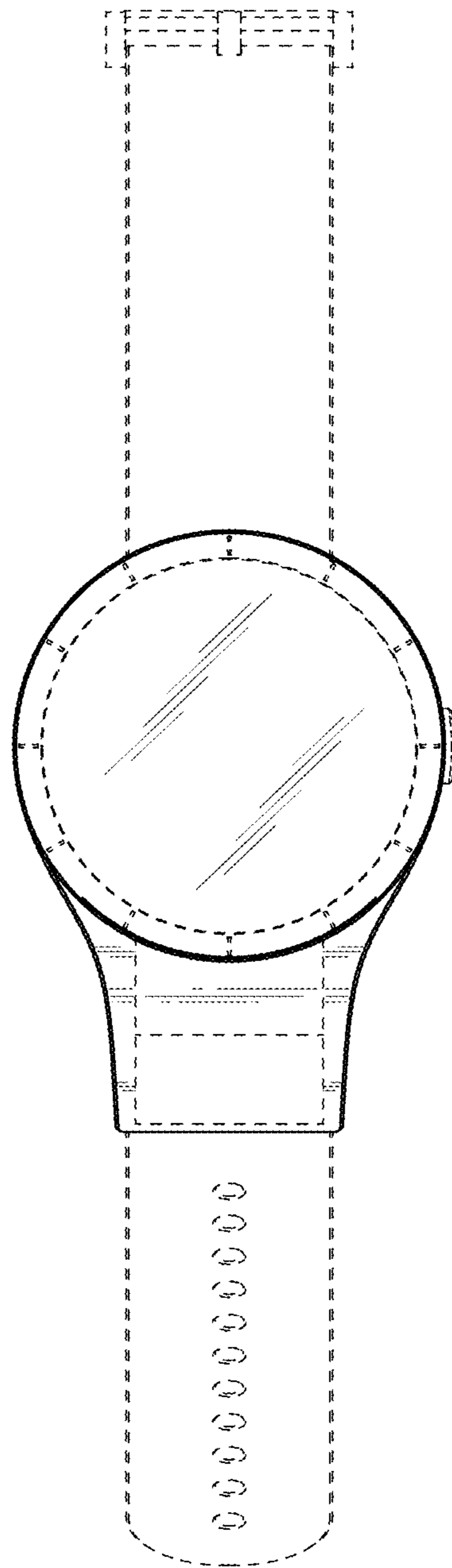


Fig. 1

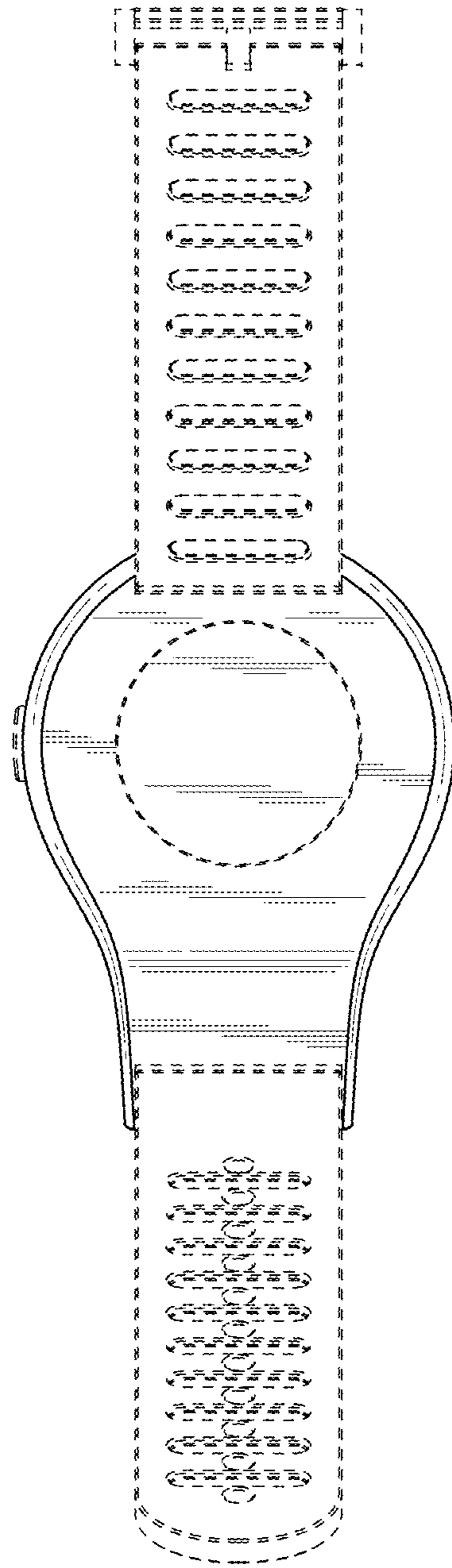


Fig. 2

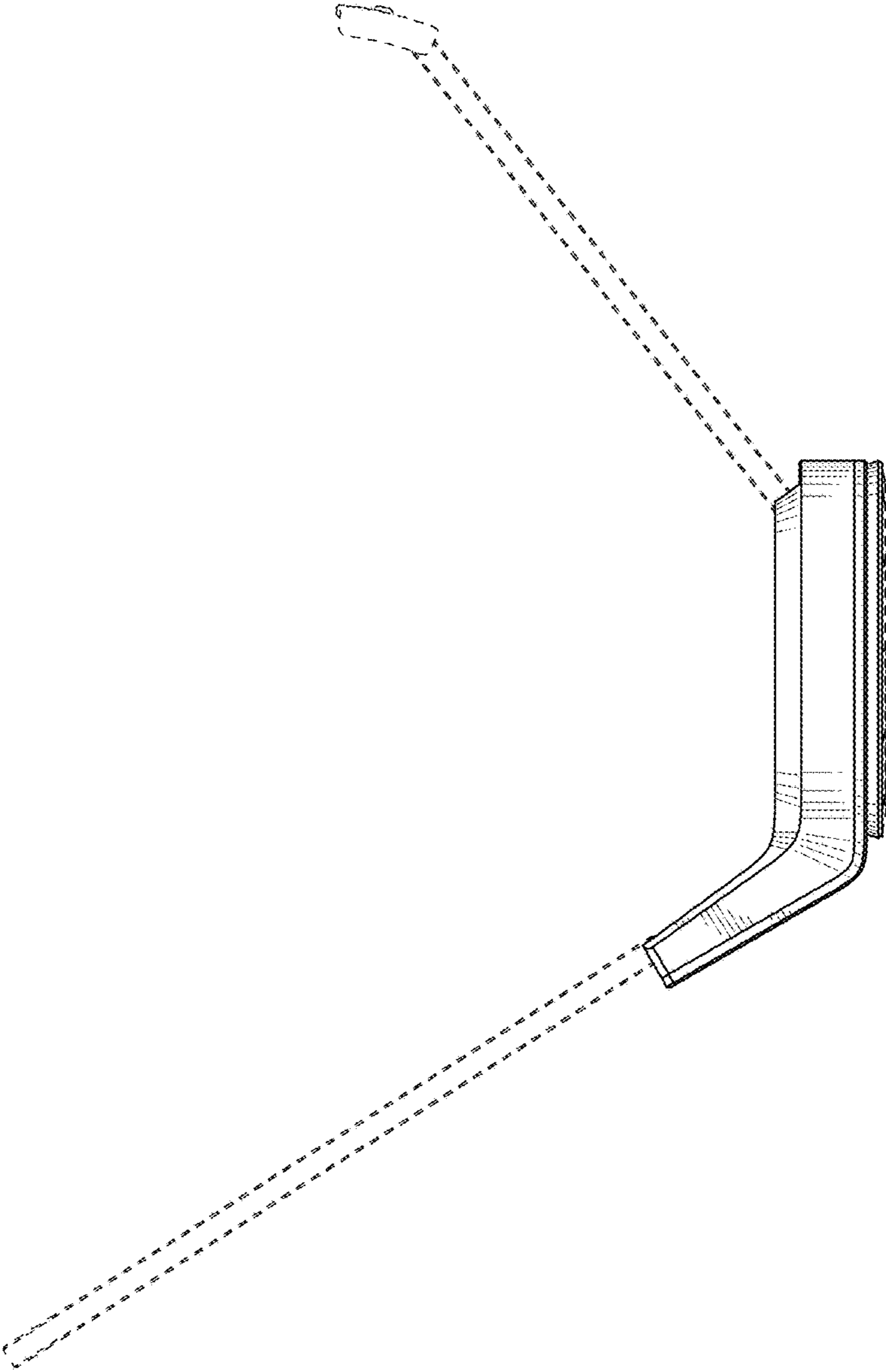


Fig. 3

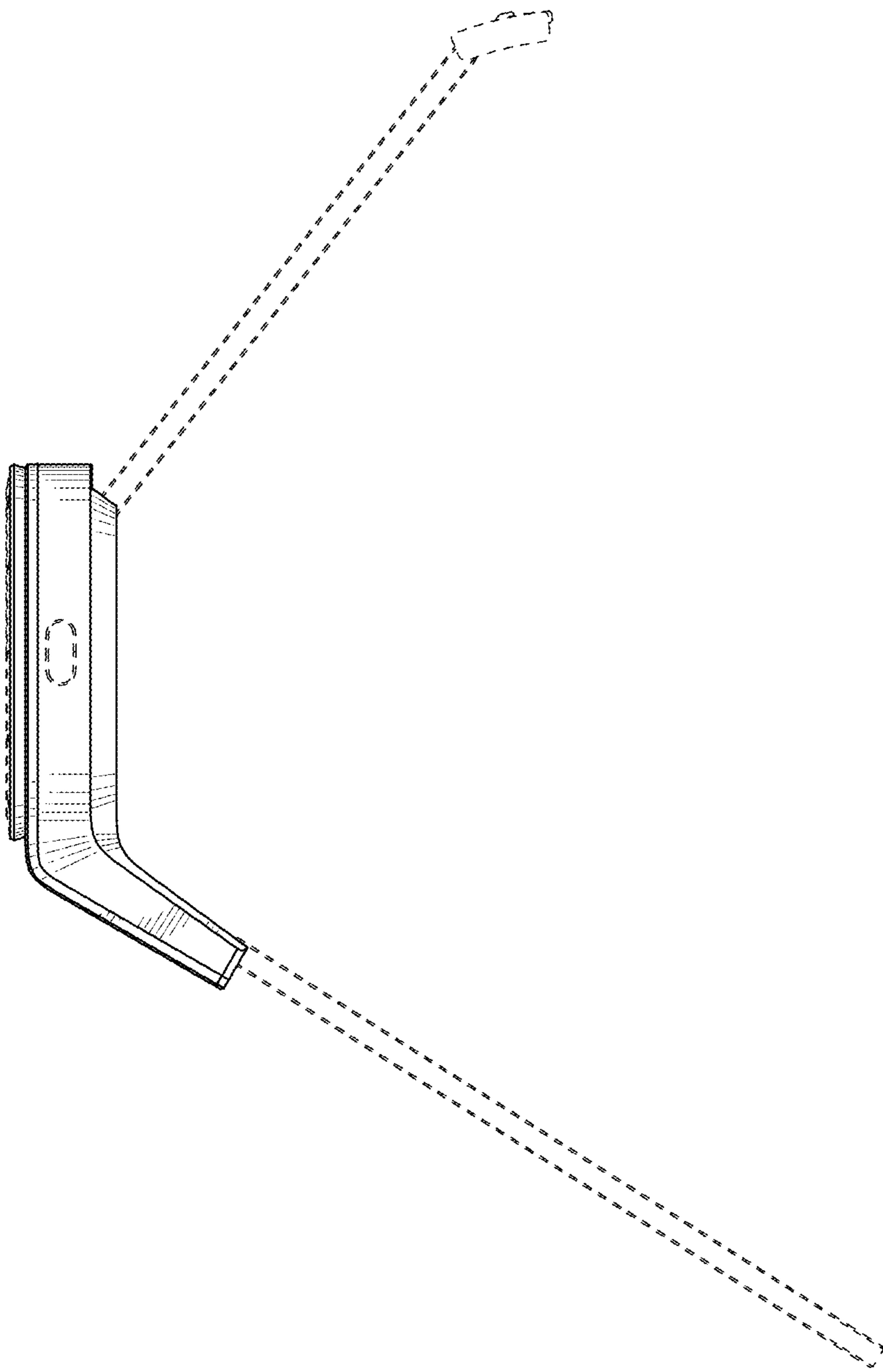


Fig. 4

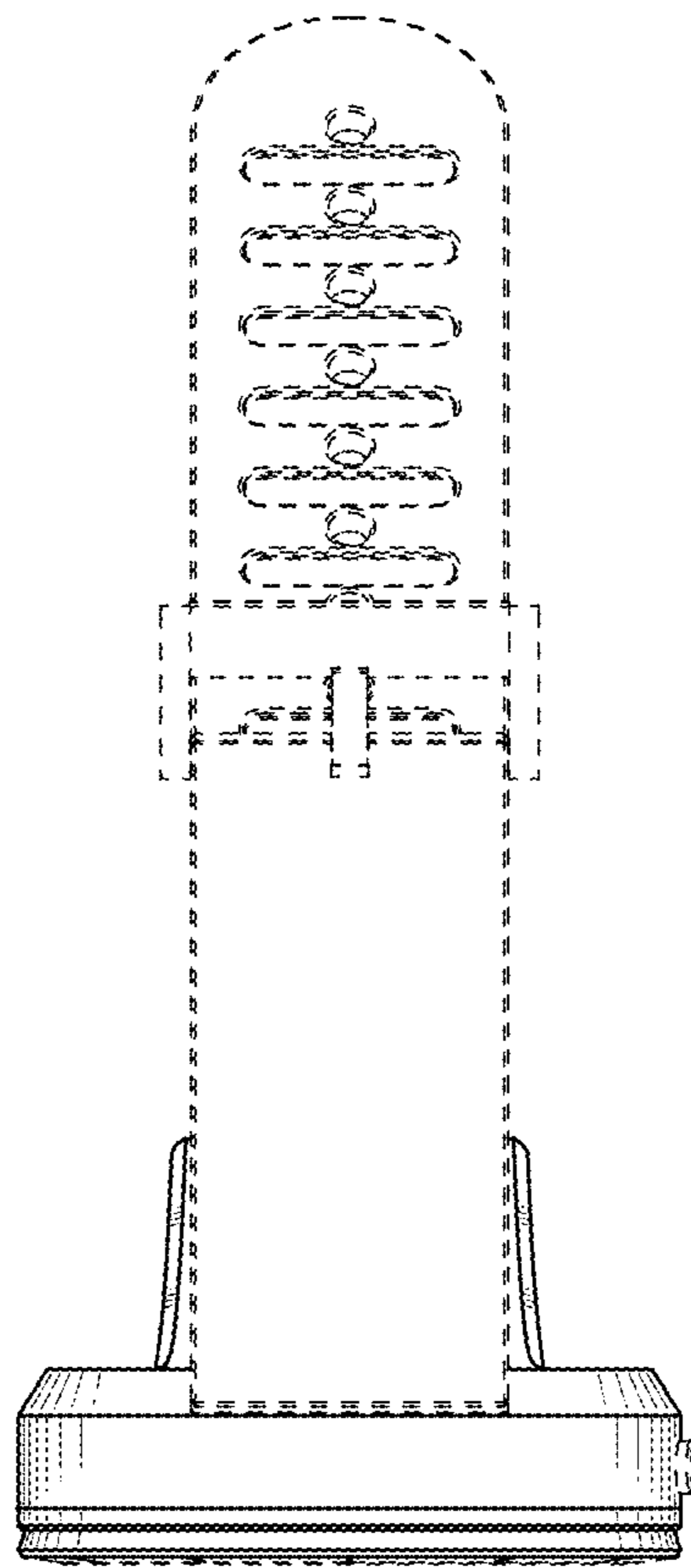


Fig. 5

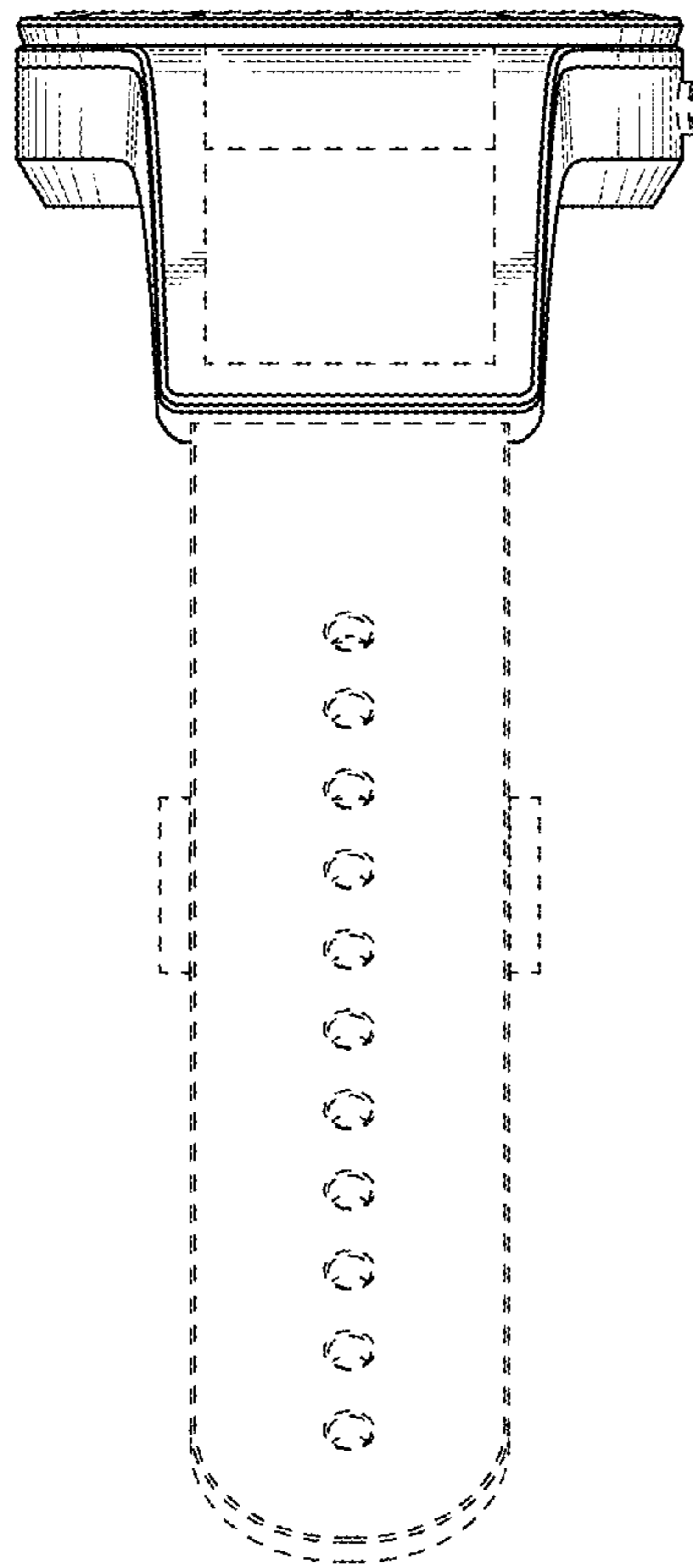


Fig. 6

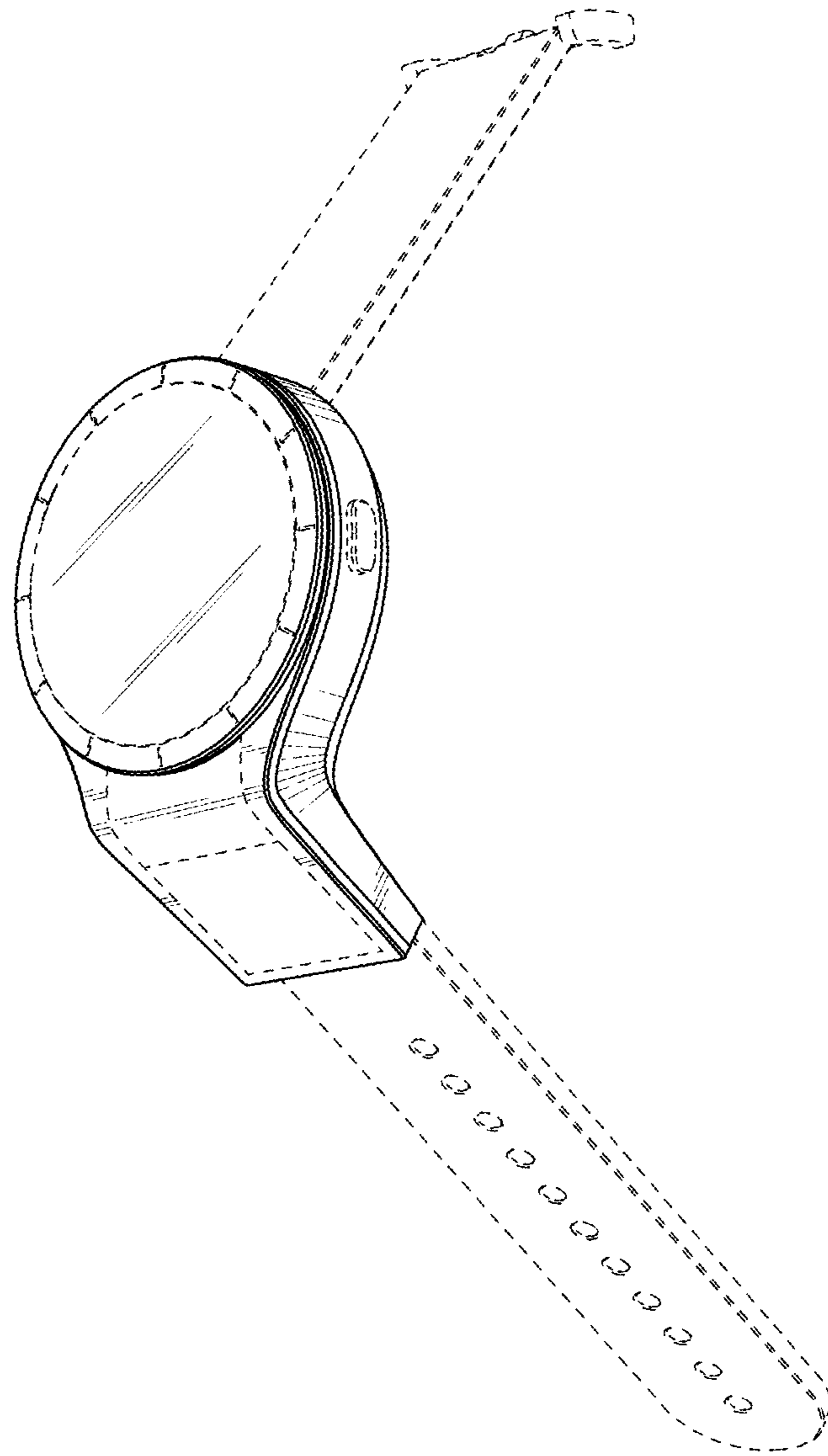


Fig. 7