



US00D801329S

(12) **United States Design Patent**
Brown et al.

(10) **Patent No.:** **US D801,329 S**
(45) **Date of Patent:** **** Oct. 31, 2017**

(54) **MULTIFUNCTION KIOSK**

(71) Applicant: **XEROX CORPORATION**, Norwalk, CT (US)

(72) Inventors: **Donald A Brown**, Honeoye Falls, NY (US); **Tyler W Porter**, Honeoye Falls, NY (US)

(73) Assignee: **Xerox Corporation**, Norwalk, CT (US)

(**) Term: **15 Years**

(21) Appl. No.: **29/587,938**

(22) Filed: **Dec. 16, 2016**

(51) **LOC (10) Cl.** **14-02**

(52) **U.S. Cl.**
USPC **D14/307**

(58) **Field of Classification Search**
USPC D14/302-307, 900-902; D13/163;
D20/10; D21/332, 325, 369, 370;
D99/28; D6/397, 466; 194/206;
361/679.01, 679.02, 679.04, 679.21,
361/679.57, 725
CPC G06Q 20/18; G06Q 20/10; G06Q 20/123;
G06Q 20/20; G06Q 30/02; G06Q 30/06;
A47F 9/047

See application file for complete search history.

(56) **References Cited**

U.S. PATENT DOCUMENTS

D621,441 S * 8/2010 Kim D18/39
D645,897 S * 9/2011 Chuang D18/50

D681,030 S * 4/2013 Yopez D14/307
D694,317 S * 11/2013 Nakagawa D18/19
D752,032 S * 3/2016 Taylor D14/307
D761,245 S * 7/2016 Pfeiffer D14/307
D764,577 S * 8/2016 Cho D18/53
D782,465 S * 3/2017 Chen D14/307
D783,015 S * 4/2017 Birnie D14/307

* cited by examiner

Primary Examiner — Austin Murphy

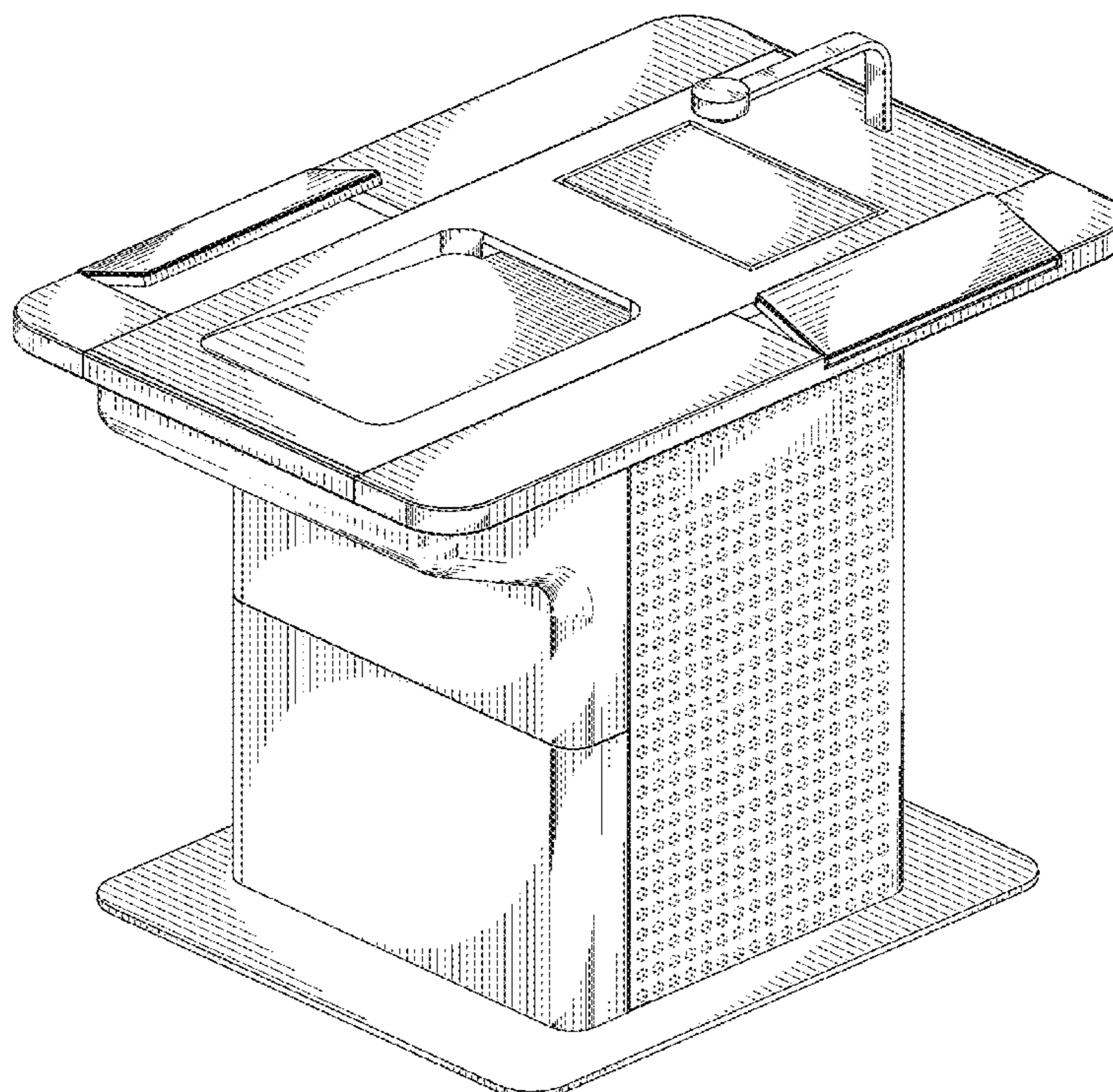
(57) **CLAIM**

The ornamental design for a multifunction kiosk, as shown and described.

DESCRIPTION

FIG. 1 is a perspective view of a multifunction kiosk in accordance with the present invention;
FIG. 2 is a front view thereof;
FIG. 3 is a right side view thereof;
FIG. 4 is a rear view thereof;
FIG. 5 is a left side view thereof;
FIG. 6 is a top plan view thereof; and,
FIG. 7 is a bottom plan view thereof.
The broken lines in the drawings depict environmental subject matter, are for illustrative purposes only and form no part of the claimed design.

1 Claim, 7 Drawing Sheets



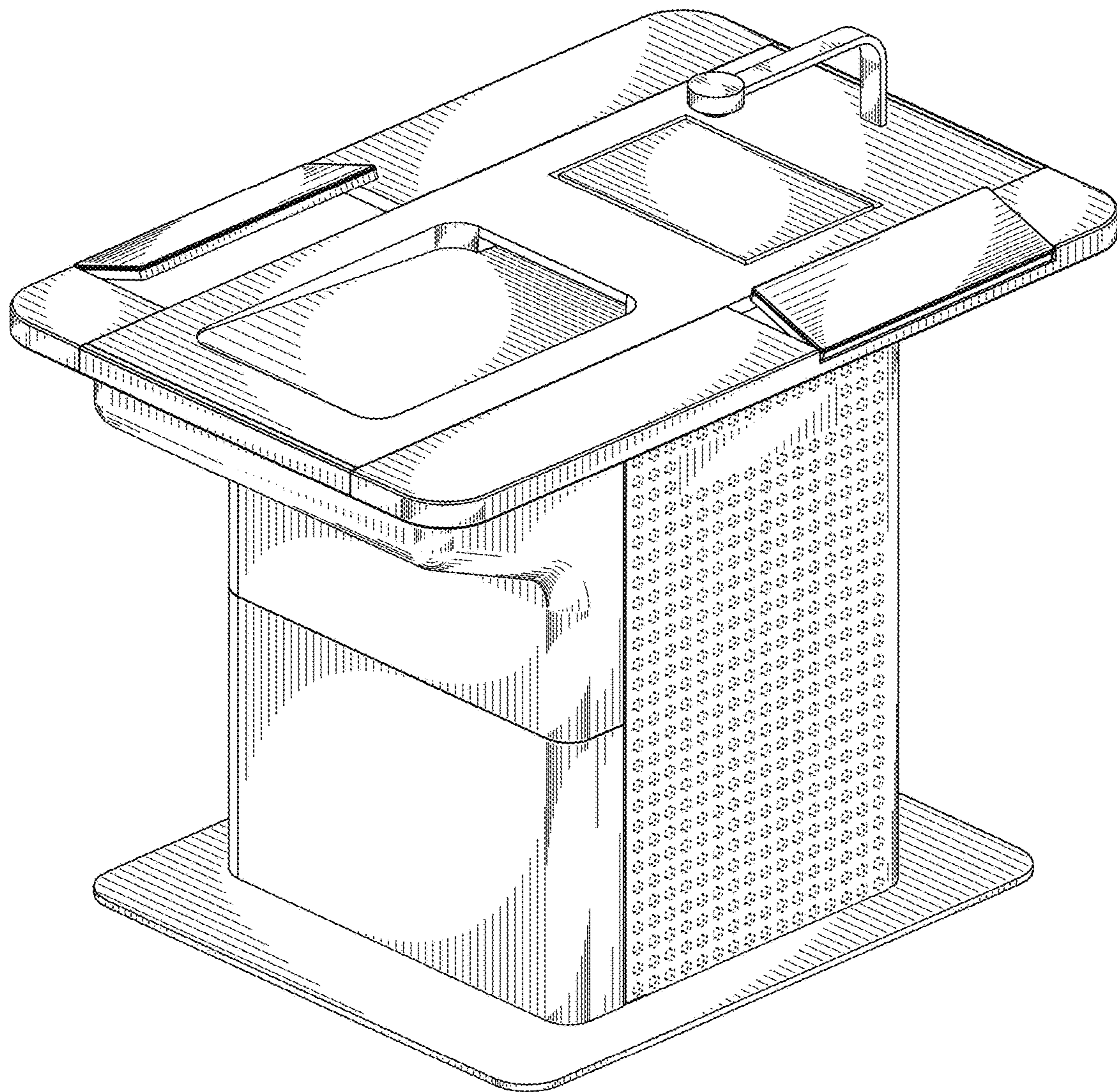


FIG. 1

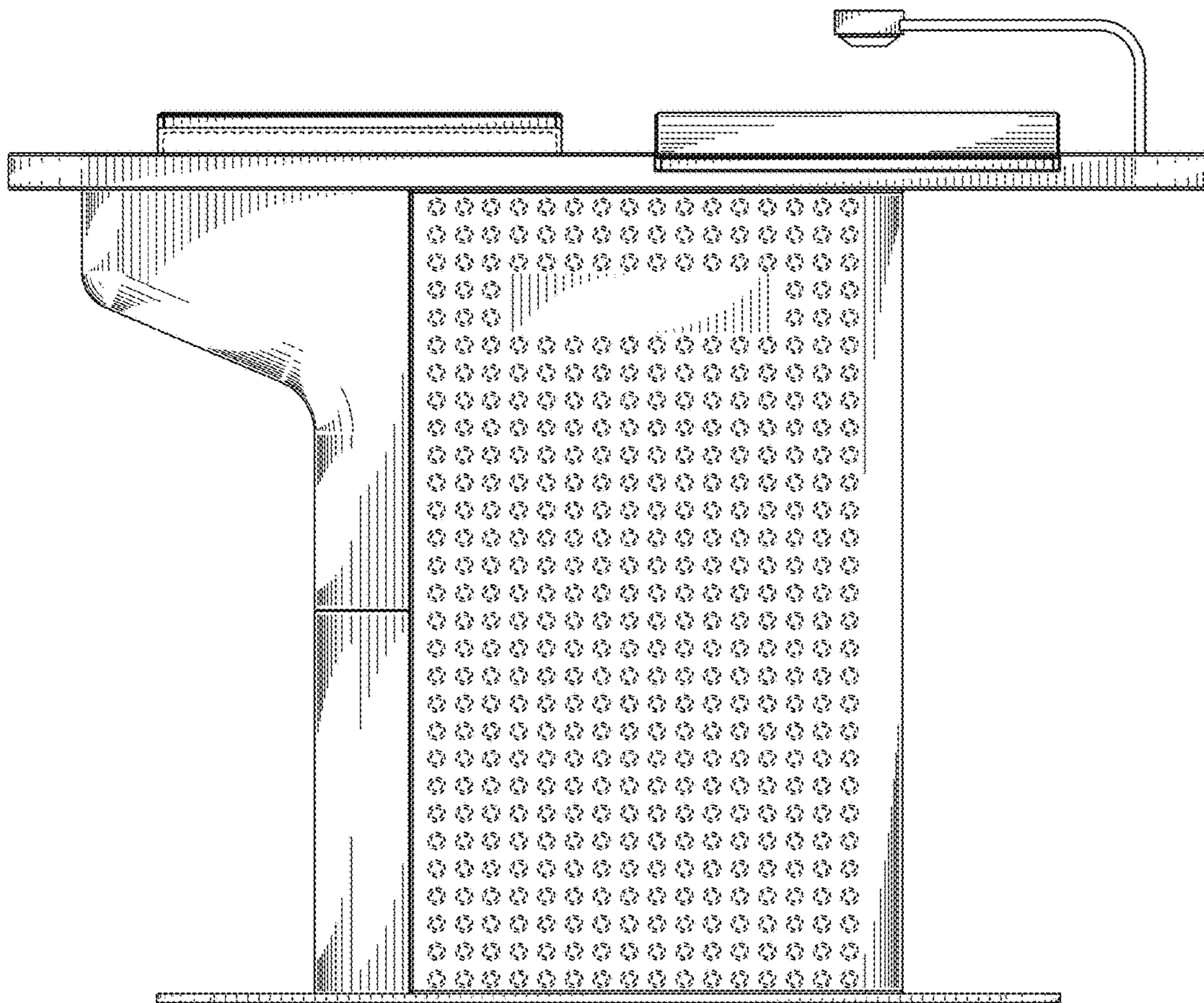


FIG. 2

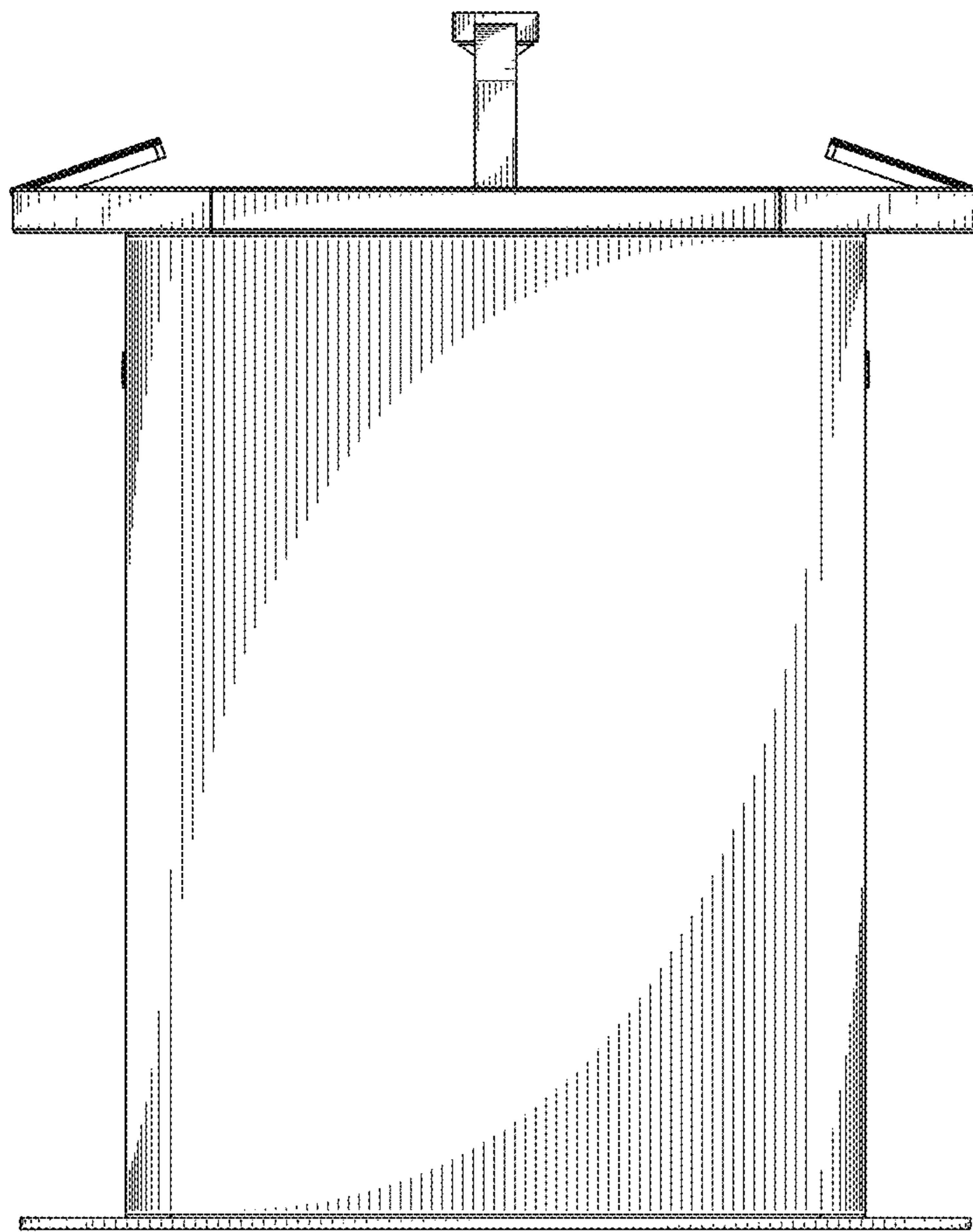


FIG. 3

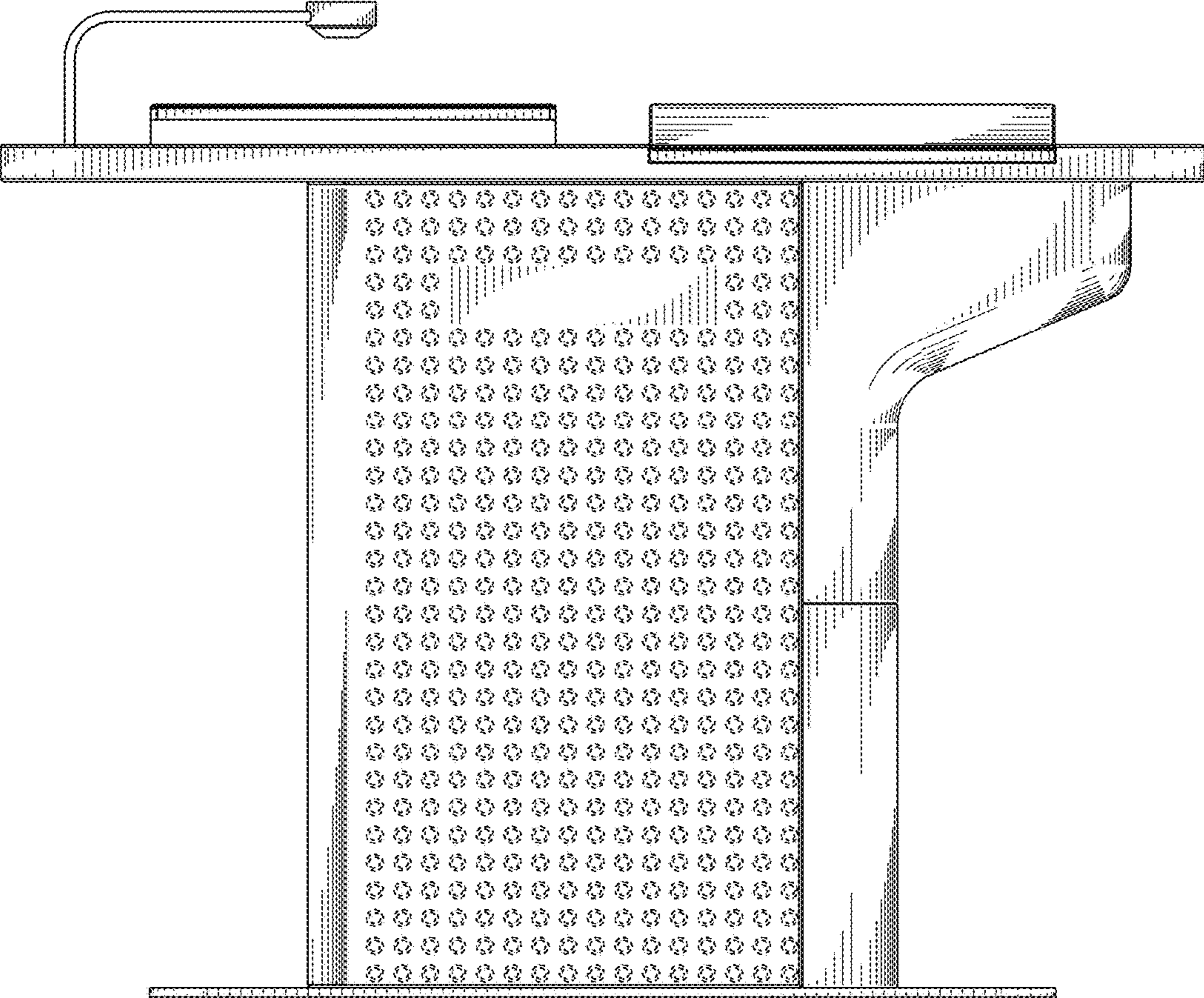


FIG. 4

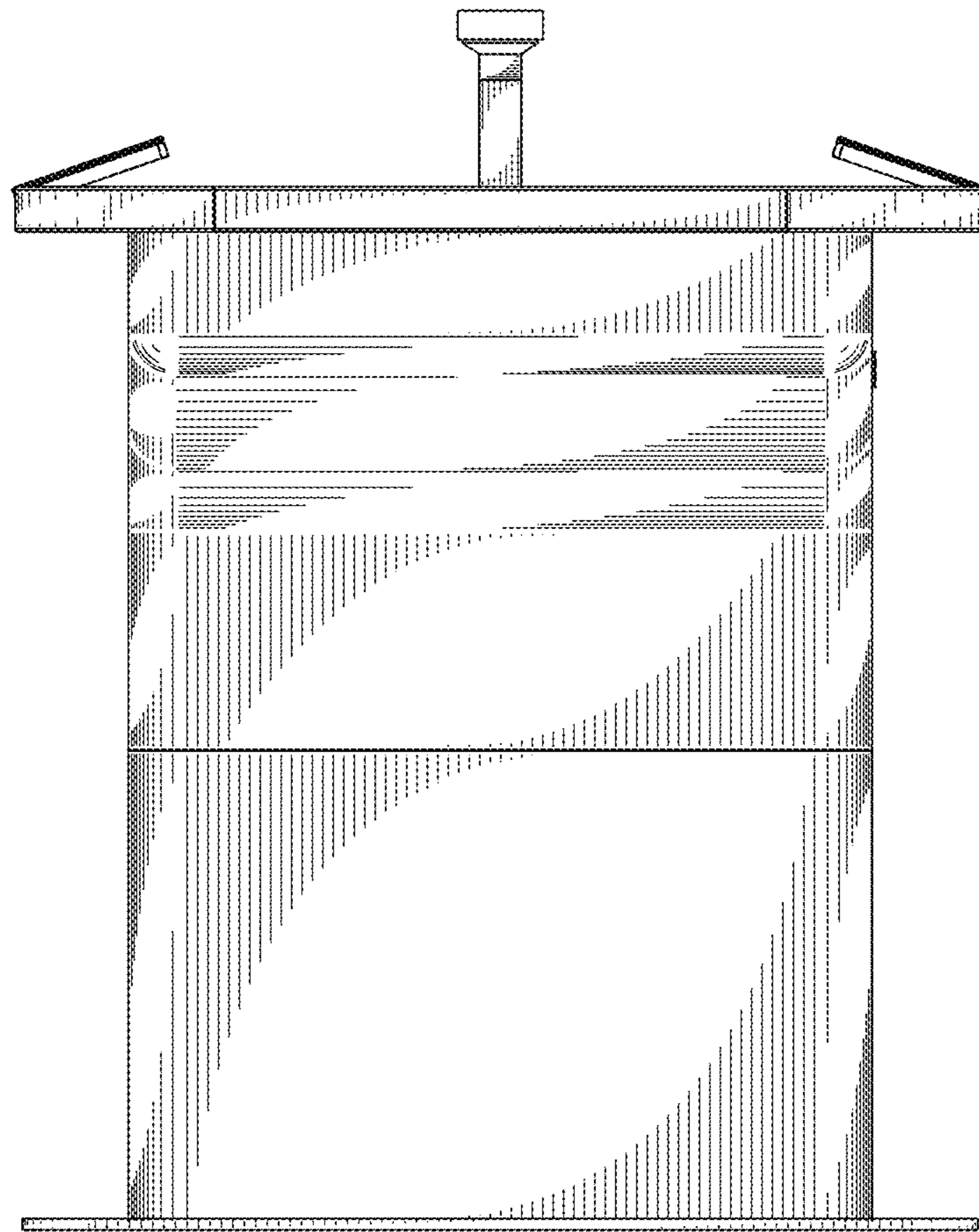


FIG. 5

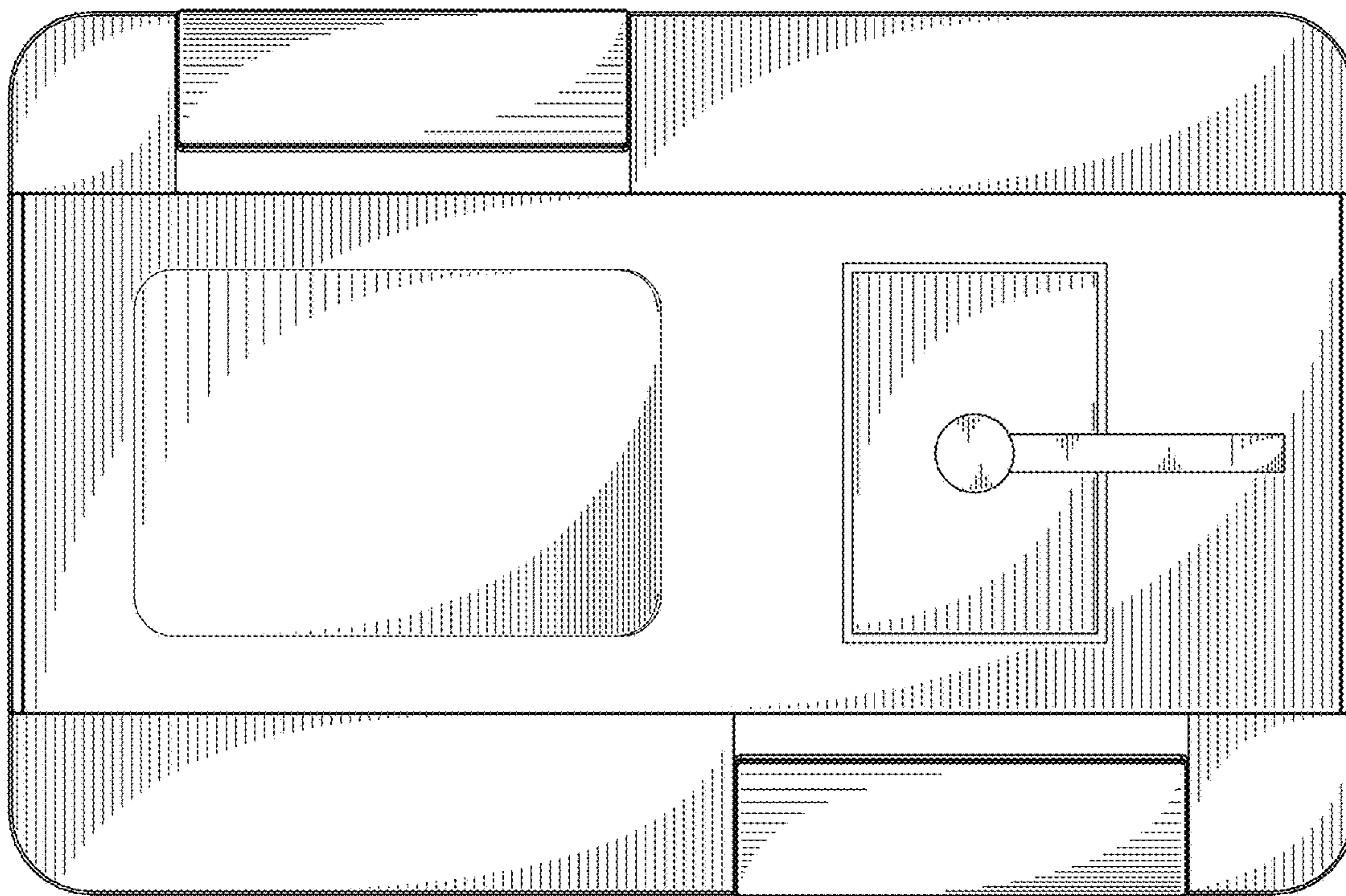


FIG. 6

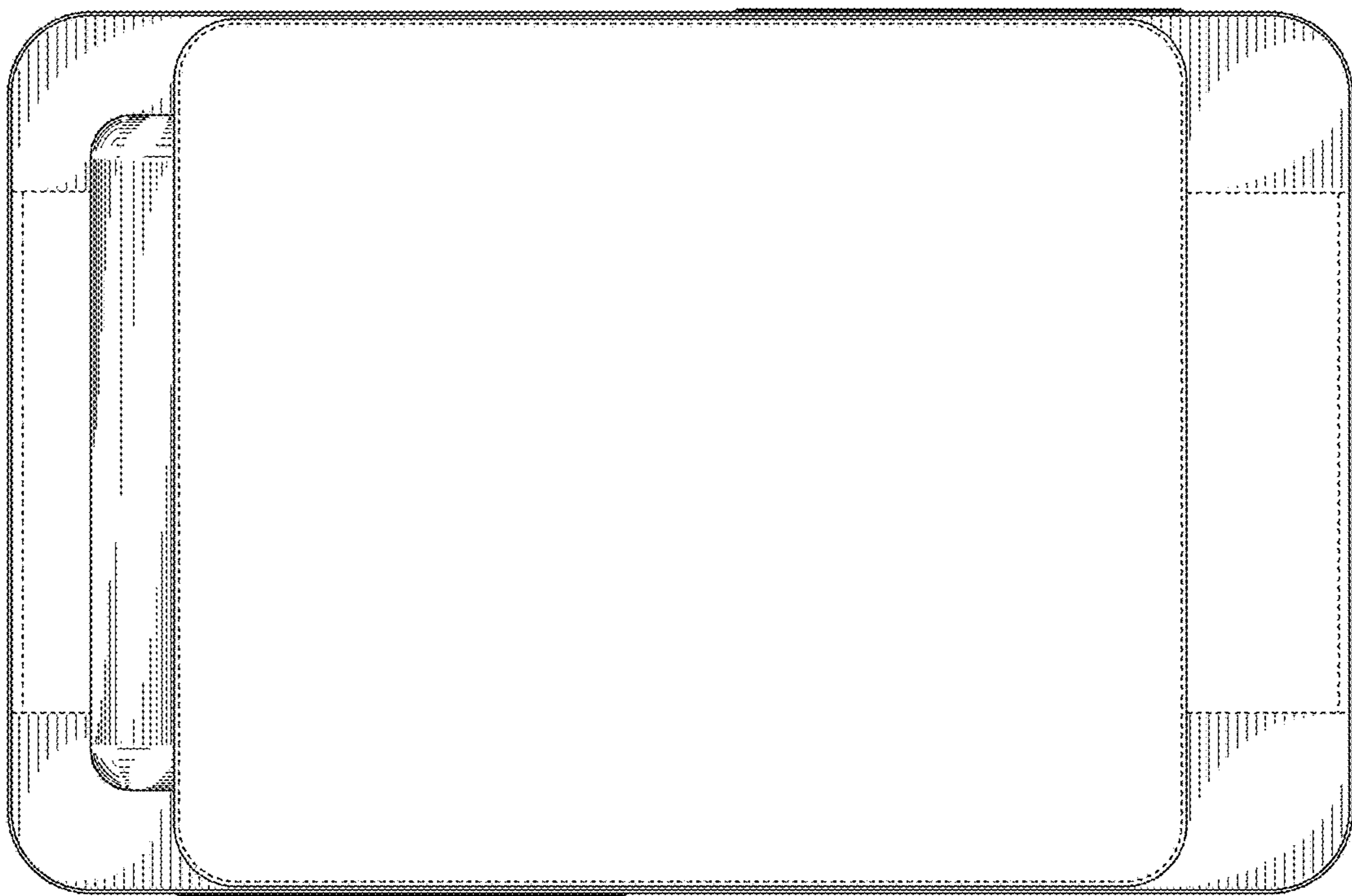


FIG. 7