



US00D801328S

(12) **United States Design Patent**  
**Fergusson**

(10) **Patent No.:** **US D801,328 S**

(45) **Date of Patent:** **\*\* Oct. 31, 2017**

- (54) **DOUBLE SIDED KIOSK**
- (71) Applicant: **Coates Technology Labs Pty Limited**,  
Alexandria, New South Wales (AU)
- (72) Inventor: **Lachlan Edward Fergusson**, Oatley  
(AU)
- (73) Assignee: **COATES TECHNOLOGY LABS  
PTY LIMITED**, New South Wales  
(AU)

D762,635 S *	8/2016	Szeredi .....	D14/307
D776,651 S *	1/2017	Yates .....	D14/307
D777,722 S *	1/2017	Murphy .....	D14/307
D781,279 S *	3/2017	Horn, II .....	D14/307
D782,467 S *	3/2017	Bladwell .....	D14/307
D783,596 S *	4/2017	Payne .....	D14/307
D786,855 S *	5/2017	Smith .....	D14/307

\* cited by examiner

(\*\*) Term: **15 Years**

*Primary Examiner* — Austin Murphy

(74) *Attorney, Agent, or Firm* — Ferdinand M. Romano;  
Beusse, Wolter, Sanks & Maire, PLLC

(21) Appl. No.: **29/579,010**

(22) Filed: **Sep. 27, 2016**

(51) **LOC (10) Cl.** ..... **14-02**

(52) **U.S. Cl.**  
USPC ..... **D14/307**

(58) **Field of Classification Search**  
 USPC ..... D14/167, 154, 168, 188, 496, 156, 160,  
 D14/161, 162, 163, 164, 165, 158, 253,  
 D14/192, 159, 155, 138 AB, 137, 104.1,  
 D14/307; 455/351, 350, 353; D10/104,  
 D10/106, 65, 78; 340/573.4, 573.1  
 CPC ..... G08B 13/1672; G08B 13/19645; G08B  
 25/006; H04M 11/04  
 See application file for complete search history.

(57) **CLAIM**

The ornamental design of a double sided kiosk, as shown  
and described.

(56) **References Cited**

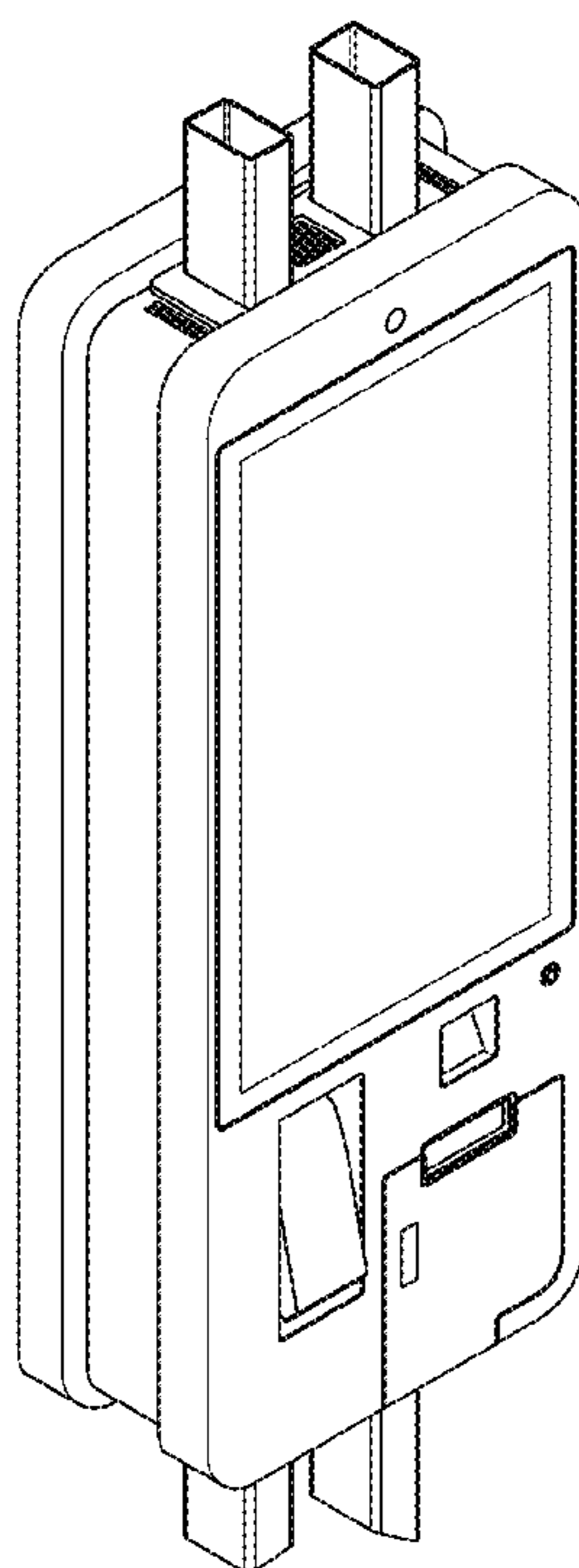
U.S. PATENT DOCUMENTS

D723,026 S *	2/2015	Birgeoglu .....	D14/307
D728,557 S *	5/2015	Soares .....	D14/307

**DESCRIPTION**

FIG. 1 is a rear perspective view of a double sided kiosk in  
accordance with the present invention;  
 FIG. 2 is a rear view thereof;  
 FIG. 3 is a bottom view thereof;  
 FIG. 4 is a front perspective view thereof;  
 FIG. 5 is a front view thereof;  
 FIG. 6 is a left side view thereof;  
 FIG. 7 is a right side view thereof; and,  
 FIG. 8 is a top view thereof.

**1 Claim, 8 Drawing Sheets**



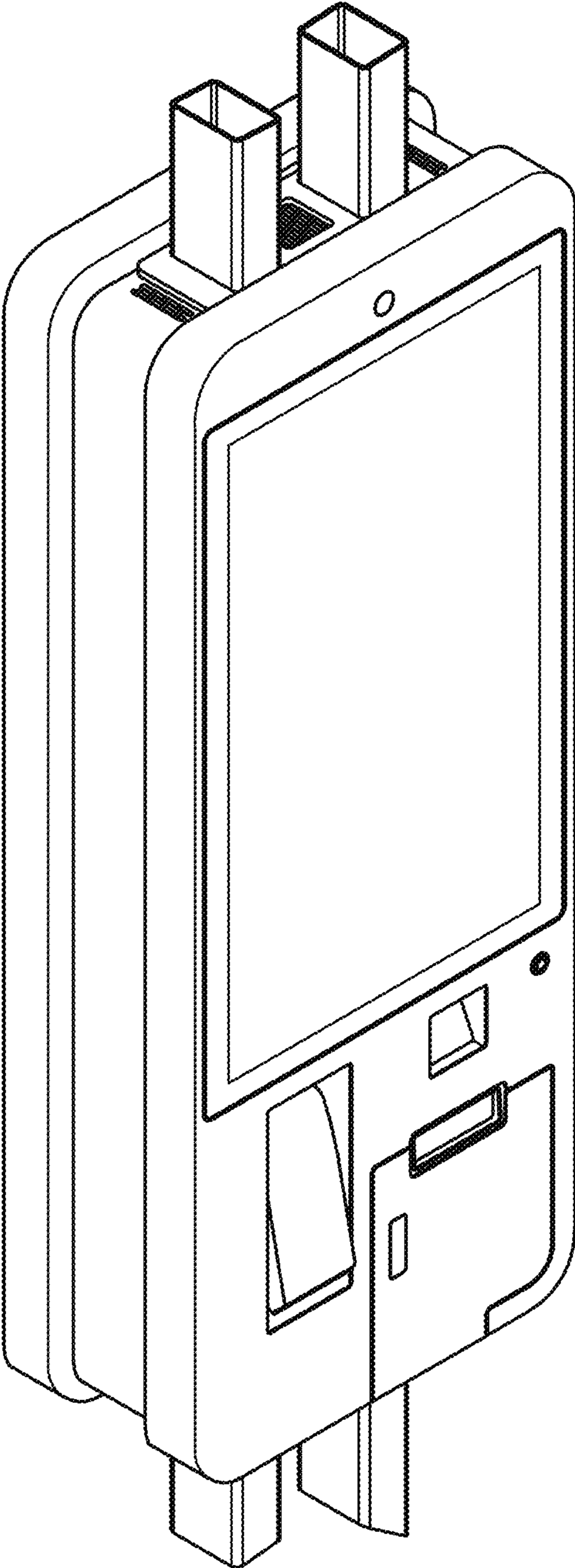


FIGURE 1

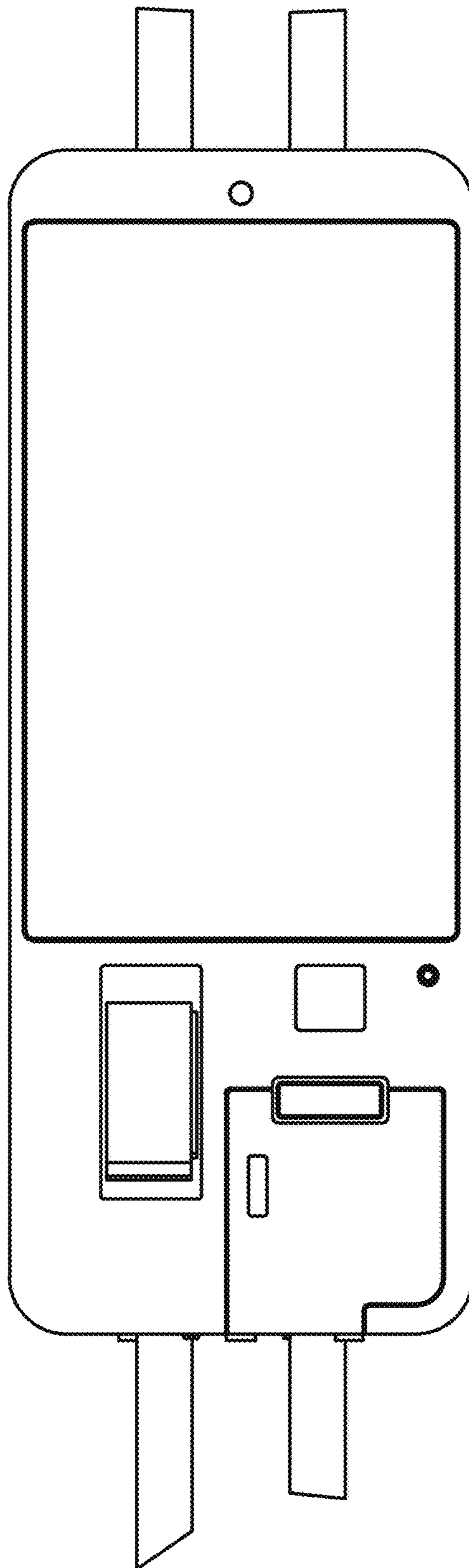


FIGURE 2

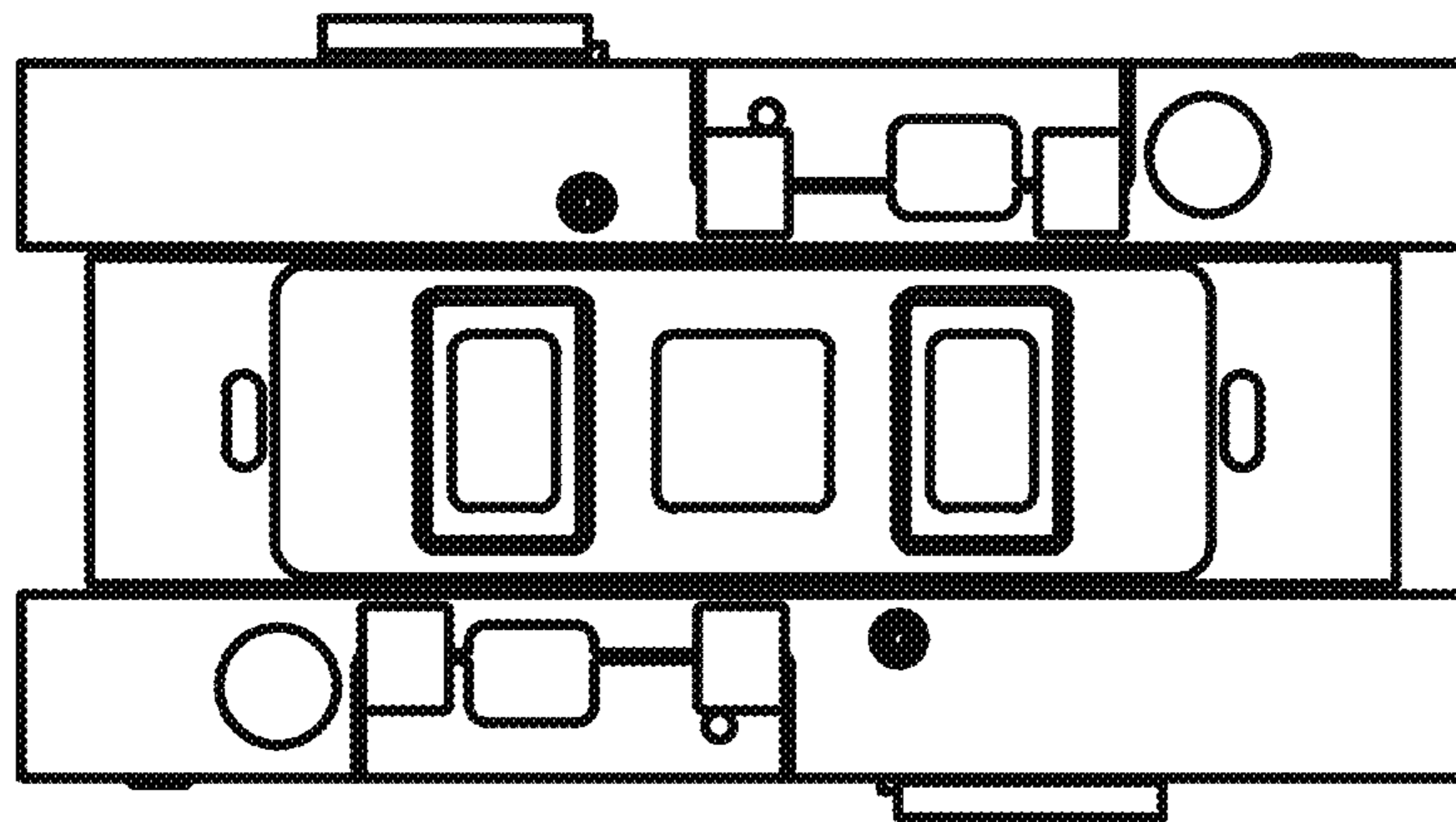


FIGURE 3

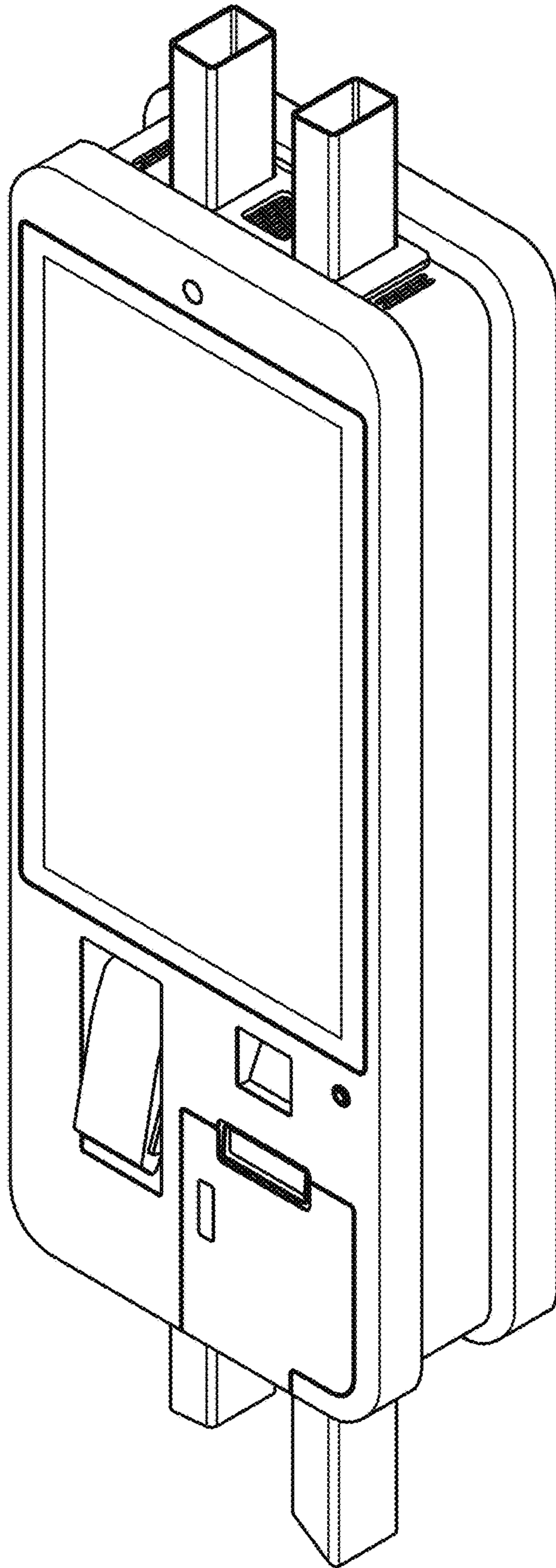


FIGURE 4

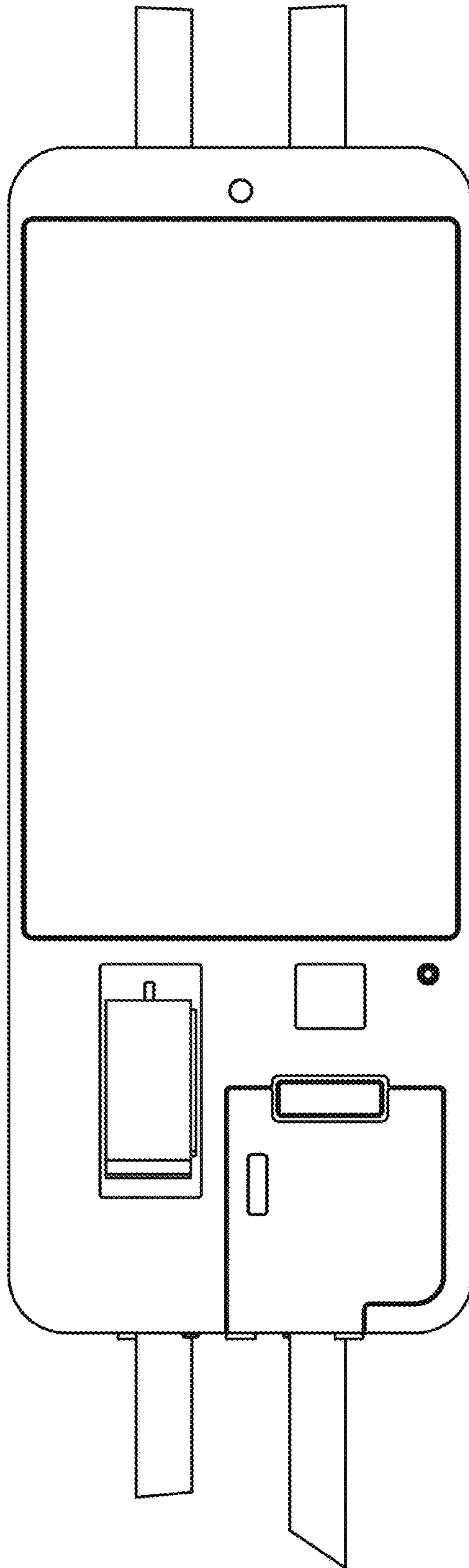


FIGURE 5

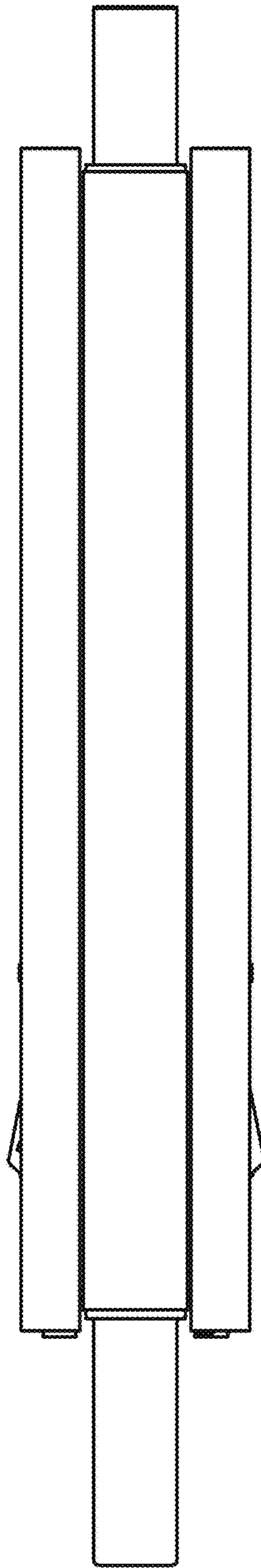


FIGURE 6

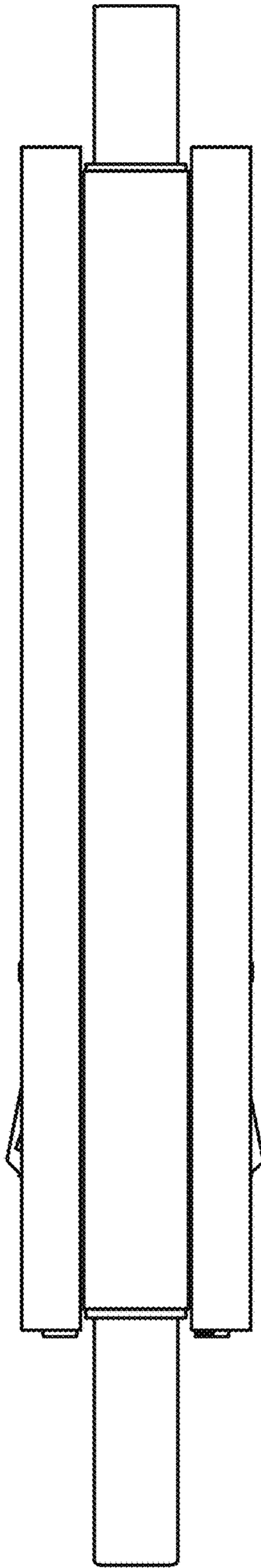


FIGURE 7



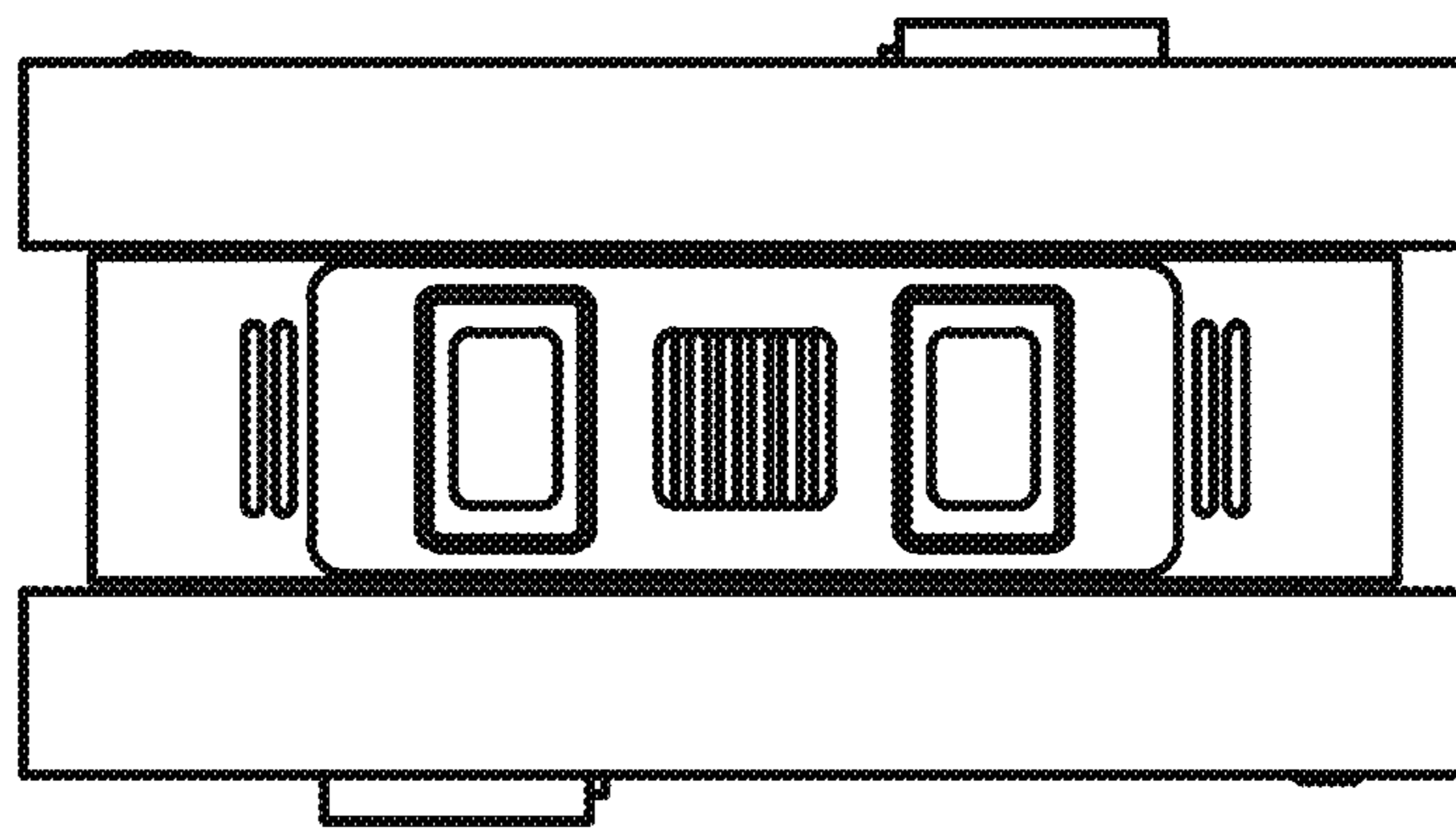


FIGURE 8