



US00D801319S

(12) **United States Design Patent**  
**Forster**

(10) **Patent No.:** **US D801,319 S**

(45) **Date of Patent:** **\*\* Oct. 31, 2017**

(54) **ANTENNA**

(71) Applicant: **Avery Dennison Retail Information Services, LLC**, Westborough, MA (US)

(72) Inventor: **Ian James Forster**, Essex (GB)

(73) Assignee: **EVERY DENNISON RETAIL INFORMATION SERVICES, LLC**, Mentor, OH (US)

D709,863 S *	7/2014	Forster	.....	D14/230
D713,394 S *	9/2014	Forster	.....	D14/230
D713,827 S *	9/2014	Forster	.....	D14/230
D716,275 S *	10/2014	Forster	.....	D14/230
D740,261 S *	10/2015	Man	.....	D14/230
D758,357 S *	6/2016	Man	.....	D14/230
D780,722 S *	3/2017	Forster	.....	D14/230
D788,744 S *	6/2017	Forster	.....	D14/230
D788,745 S *	6/2017	Forster	.....	D14/230
2014/0239318 A1 *	8/2014	Oyu	.....	H01L 33/62 257/88

(\*\*) Term: **15 Years**

(21) Appl. No.: **29/577,452**

(22) Filed: **Sep. 13, 2016**

**Related U.S. Application Data**

(62) Division of application No. 29/514,442, filed on Jan. 13, 2015, now Pat. No. Des. 780,722.

(51) **LOC (10) Cl.** ..... **14-03**

(52) **U.S. Cl.**  
USPC ..... **D14/230**

(58) **Field of Classification Search**  
USPC ..... D14/138, 230-238.1, 299, 358; D13/182  
CPC ..... H01L 33/48; H01L 33/486; H01L 23/02;  
H05K 5/00; H01Q 13/10  
See application file for complete search history.

(56) **References Cited**

**U.S. PATENT DOCUMENTS**

D594,446 S *	6/2009	Kato	.....	D14/230
D594,447 S *	6/2009	Kato	.....	D14/230

**OTHER PUBLICATIONS**

<http://www.veryfields.net/manufacturers-tags-Avery+Dennison.html>—Retrieved Sep. 27, 2016.\*

\* cited by examiner

*Primary Examiner* — Manpreet Matharu

*Assistant Examiner* — Mojtaba Tehrani

(74) *Attorney, Agent, or Firm* — Avery Dennison Retail Information Services, LLC

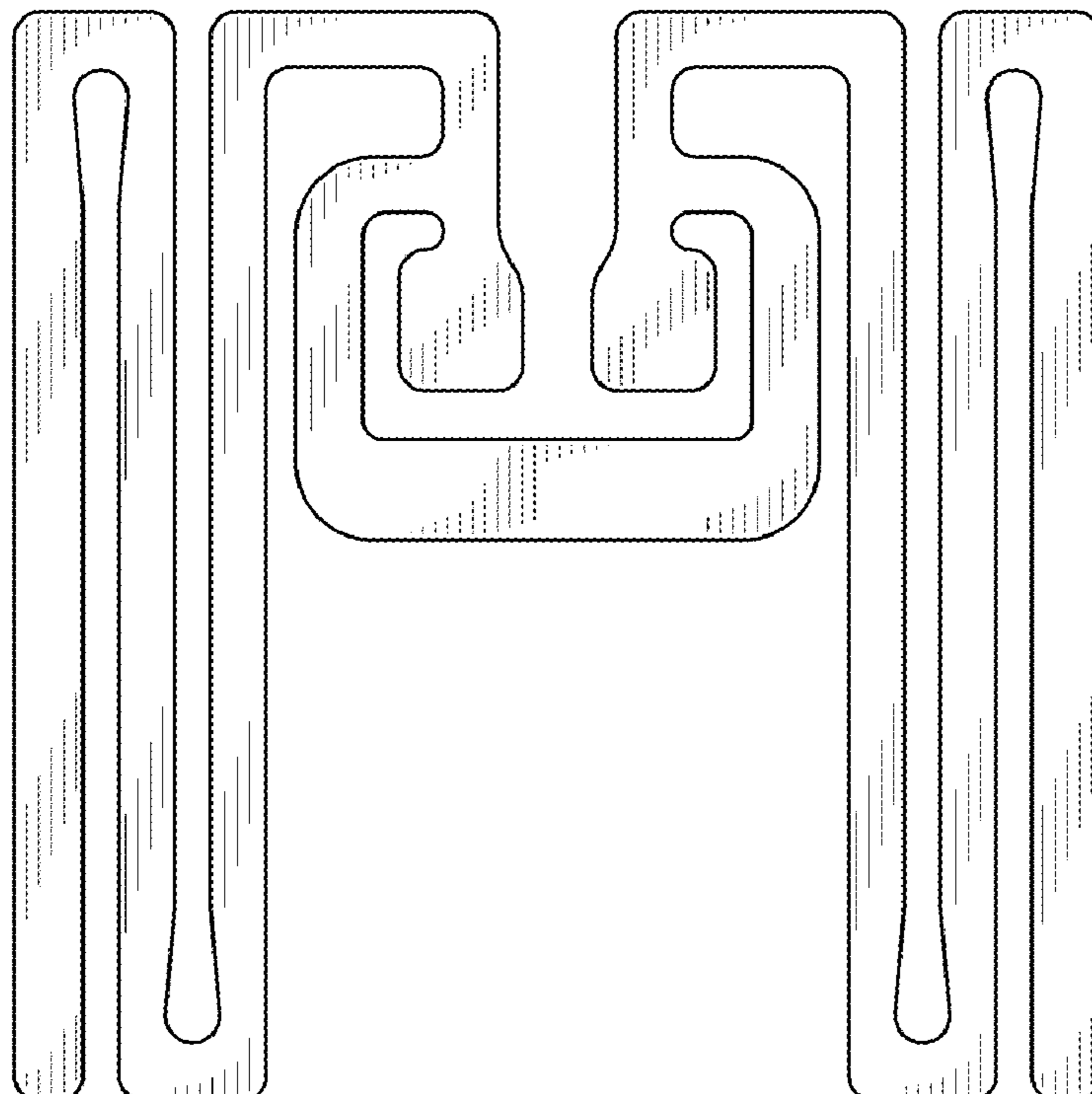
(57) **CLAIM**

The ornamental design for an antenna, as shown.

**DESCRIPTION**

FIG. 1 is an isometric view of an antenna, showing my new design; and,  
FIG. 2 is a top view thereof.

**1 Claim, 1 Drawing Sheet**



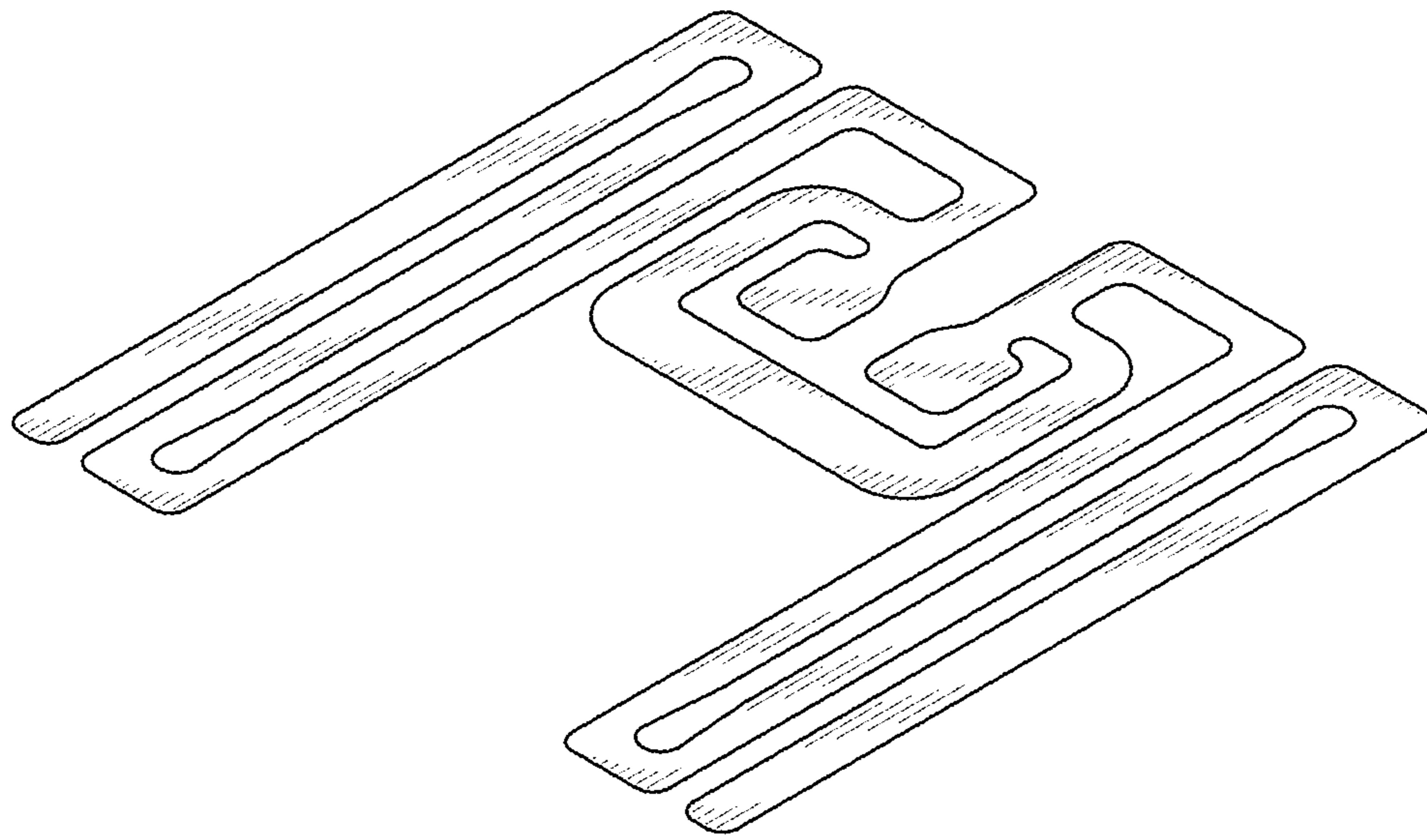


FIG. 1

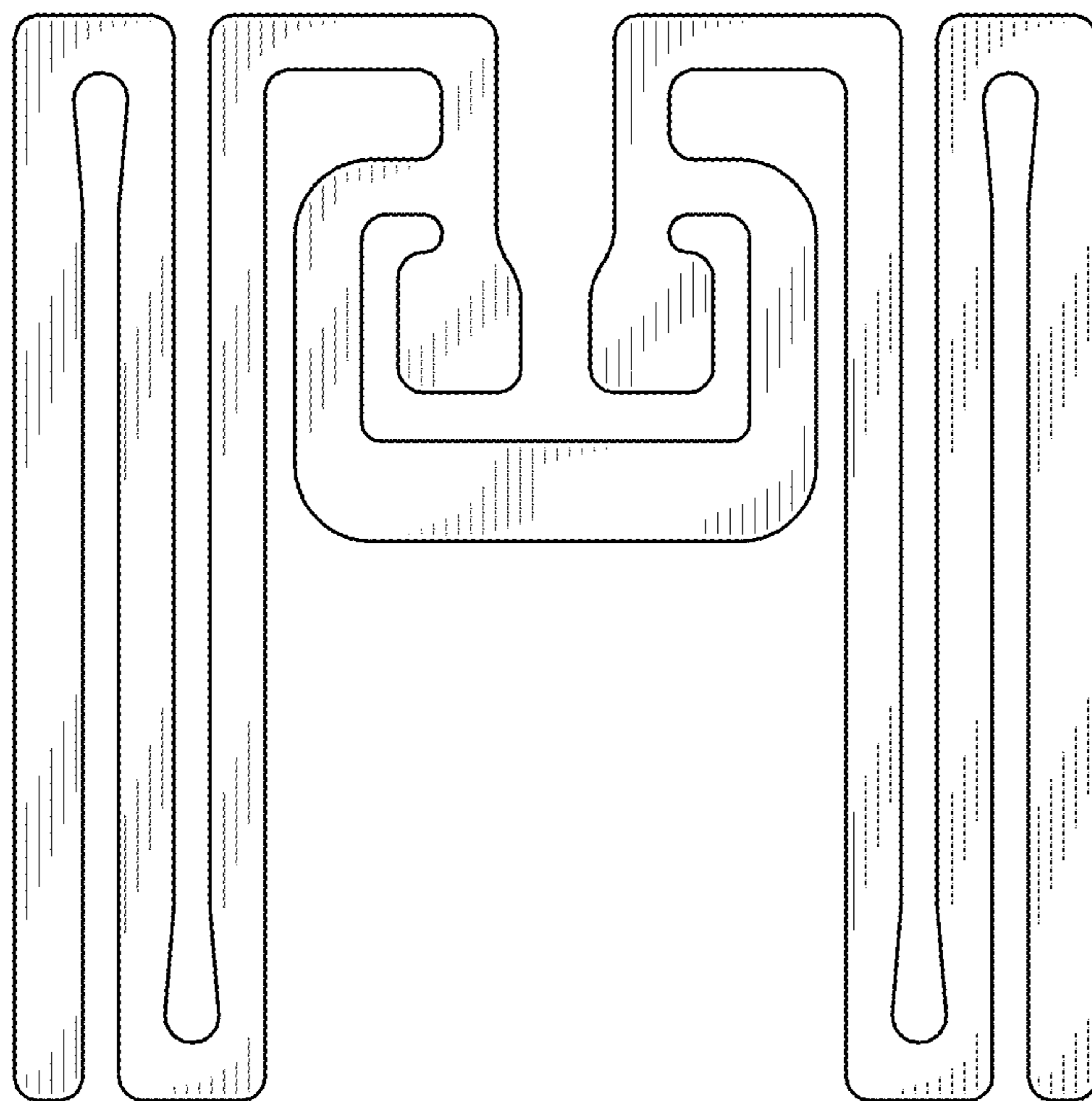


FIG. 2