



US00D801317S

(12) **United States Design Patent**
Man

(10) **Patent No.:** **US D801,317 S**

(45) **Date of Patent:** **** Oct. 31, 2017**

- (54) **ANTENNA SET**
- (71) Applicant: **BlackBerry Limited**, Waterloo (CA)
- (72) Inventor: **Ying Tong Man**, Waterloo (CA)
- (73) Assignee: **BlackBerry Limited**, Waterloo, Ontario (CA)
- (**) Term: **15 Years**

D608,354	S	*	1/2010	Yang	D14/230
D615,534	S	*	5/2010	Tsai	D14/230
7,965,239	B2	*	6/2011	Yang	H01Q 9/42 343/700 MS
D659,129	S	*	5/2012	Mi	D14/230
D659,688	S	*	5/2012	Huang	D14/230
D673,535	S	*	1/2013	Ko	D14/230
2012/0139794	A1	*	6/2012	Su	H01Q 1/243 343/700 MS
2013/0033399	A1	*	2/2013	Huang	H01Q 5/357 343/700 MS

- (21) Appl. No.: **29/536,547**
- (22) Filed: **Aug. 18, 2015**
- (51) **LOC (10) Cl.** **14-03**
- (52) **U.S. Cl.**
USPC **D14/230**
- (58) **Field of Classification Search**
USPC D14/230, 231, 232, 233, 234, 235, 236,
D14/237, 238, 138, 299, 358, 240;
D12/42, 43
CPC H01Q 7/00; H01Q 13/10; H01Q 9/285;
H01Q 9/26; H01Q 19/30; H01Q 19/12;
H01Q 1/38; H01Q 1/36; H01Q 1/42;
H01Q 1/242; H01Q 1/243; H01Q 1/2266
See application file for complete search history.

* cited by examiner

Primary Examiner — Karen S Acker

Assistant Examiner — Jerry Hsu

(74) *Attorney, Agent, or Firm* — Jon Gibbons; Fleit
Gibbons Gutman Bongini & Bianco P.L.

(56) **References Cited**

U.S. PATENT DOCUMENTS

D576,614	S	*	9/2008	Lee	D14/230
D580,418	S	*	11/2008	Yang	D14/230
D605,640	S	*	12/2009	Wu	D14/230
D606,053	S	*	12/2009	Wu	D14/230
D606,054	S	*	12/2009	Wu	D14/230

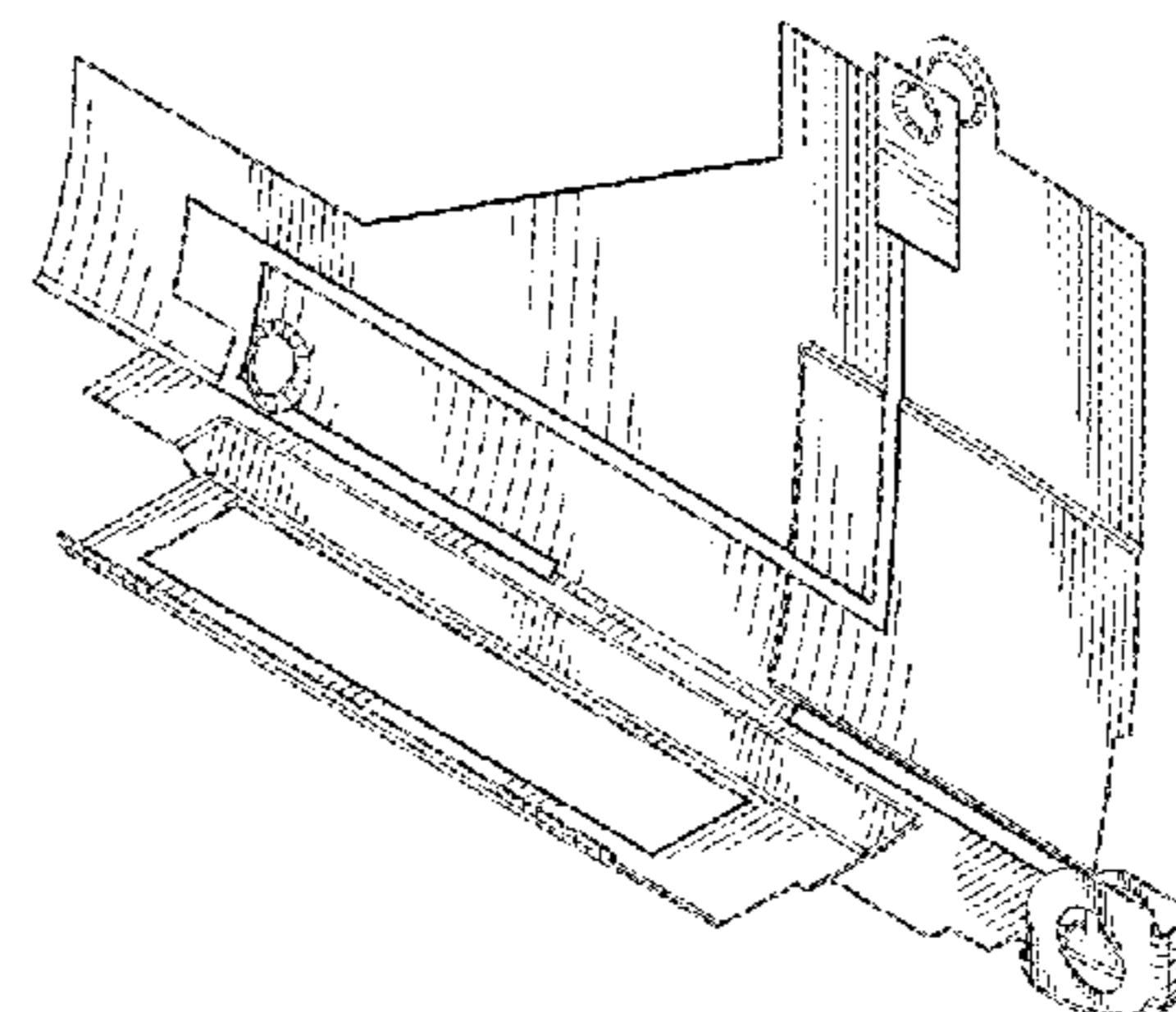
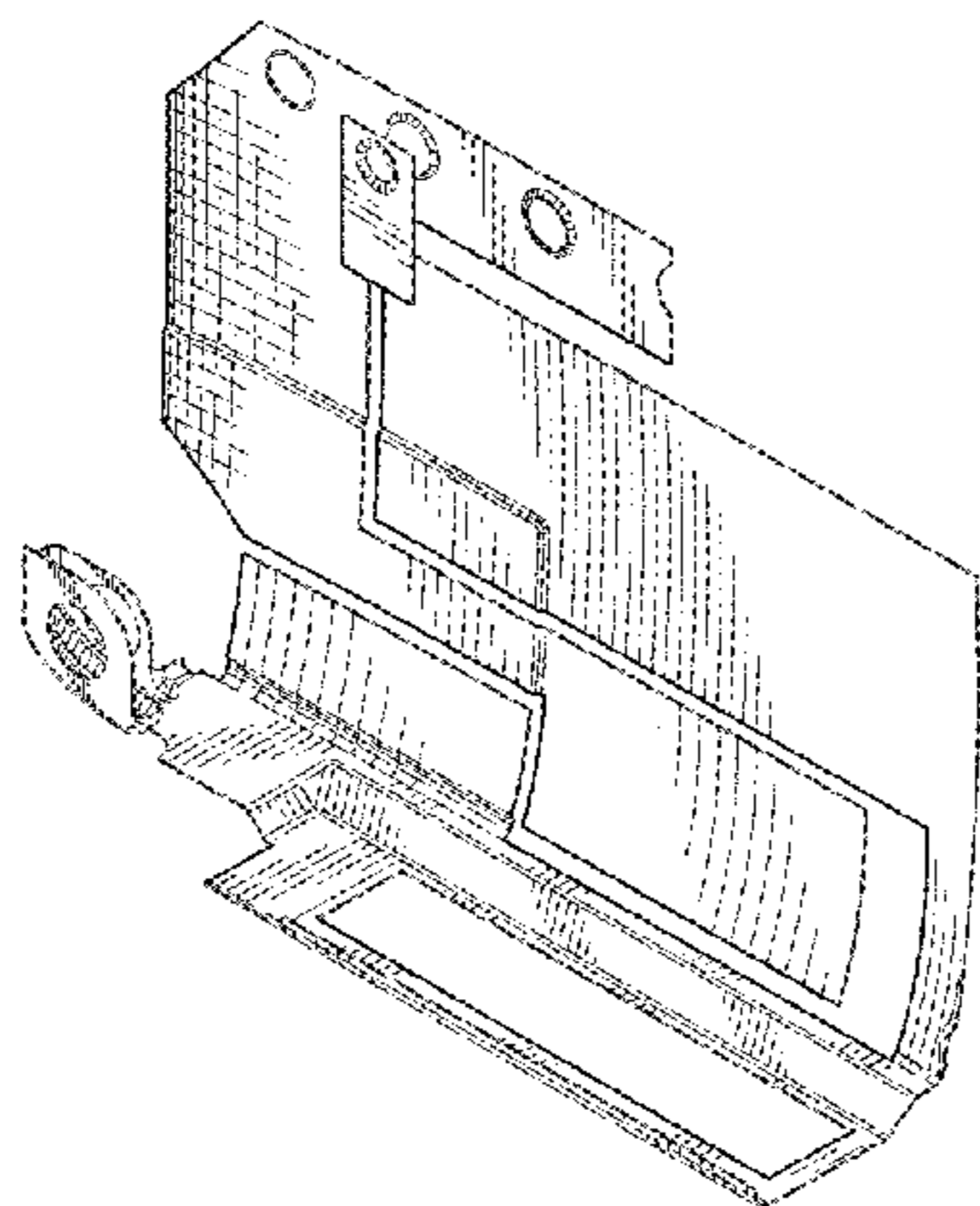
(57) **CLAIM**

The ornamental design for an antenna set, as shown and described.

DESCRIPTION

FIG. 1 is a first perspective view of the antenna set;
 FIG. 2 is a second perspective view thereof;
 FIG. 3 is a first elevational view thereof;
 FIG. 4 is a second elevational view thereof;
 FIG. 5 is a top plan view thereof;
 FIG. 6 is a bottom plan view thereof;
 FIG. 7 is an enlarged first side elevational view thereof; and,
 FIG. 8 is an enlarged second side elevational view thereof.

1 Claim, 5 Drawing Sheets



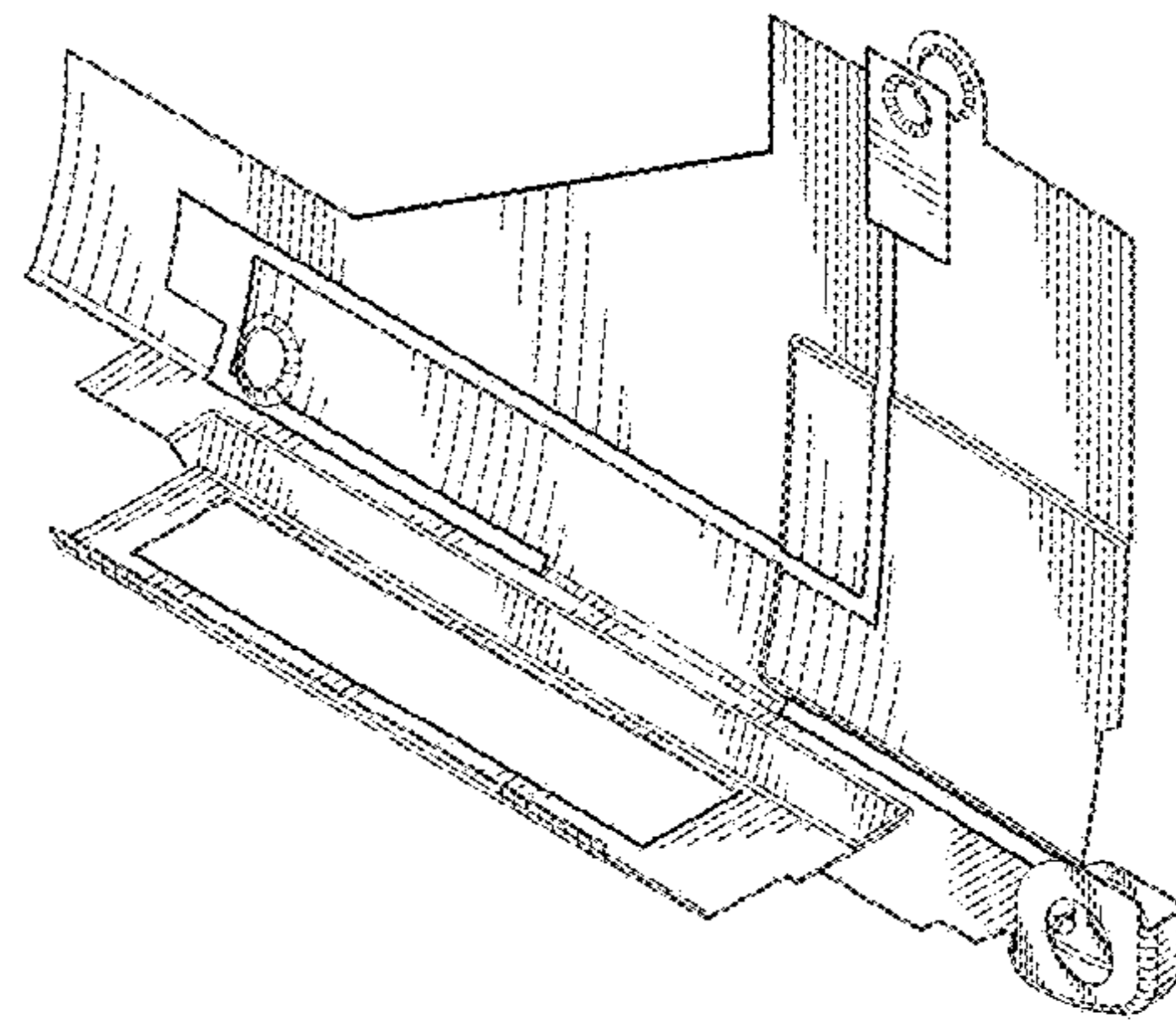
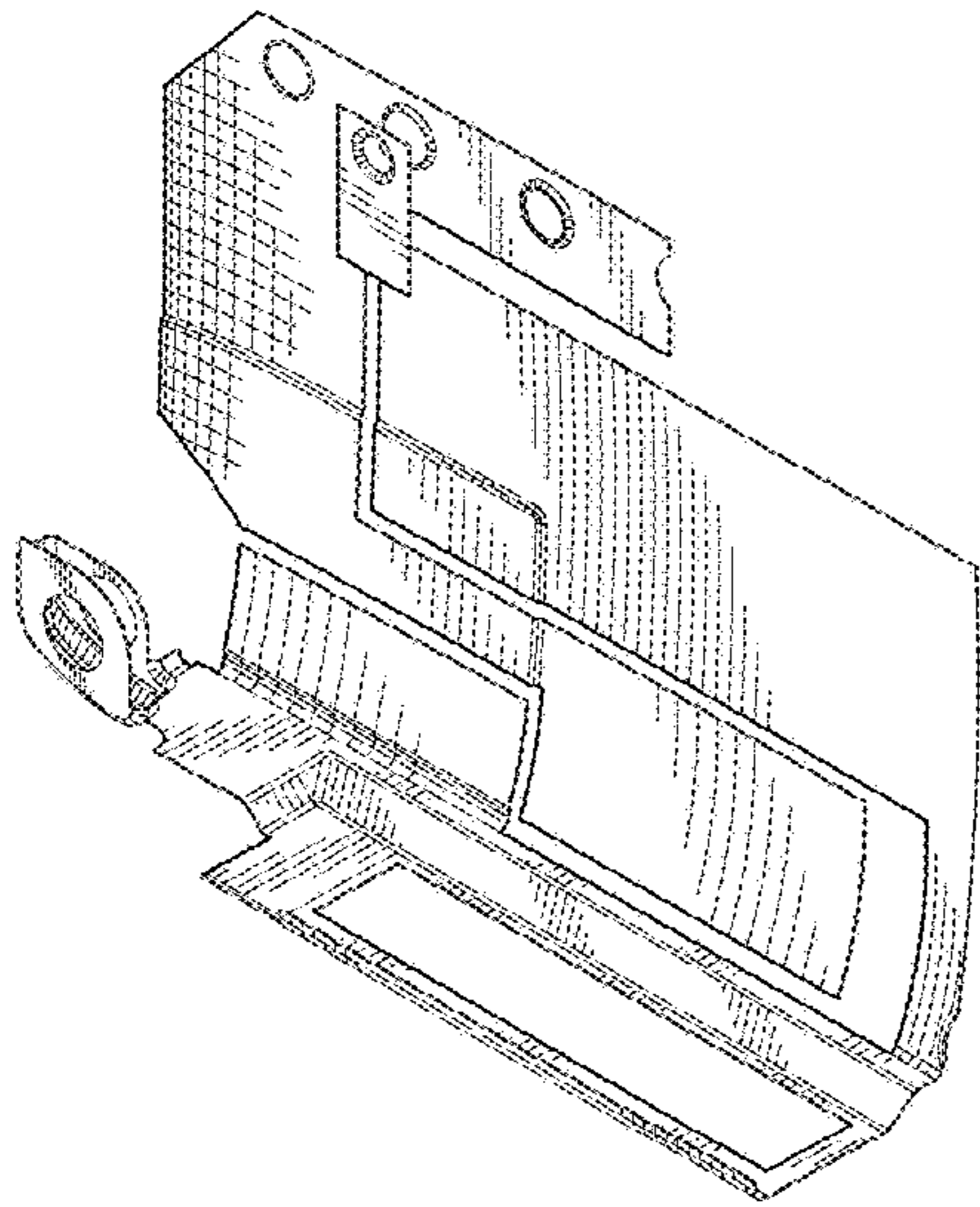


FIG.1

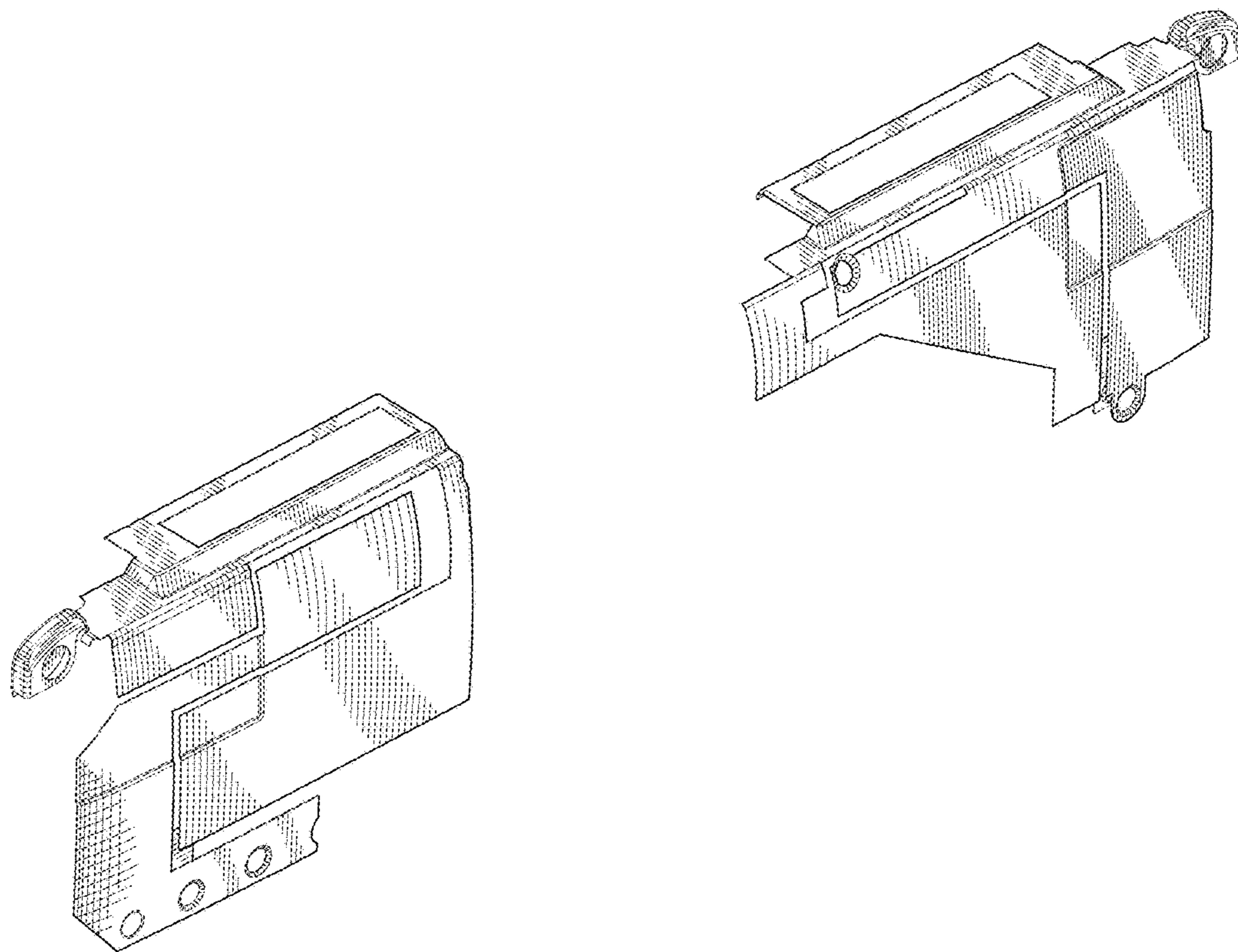


FIG.2

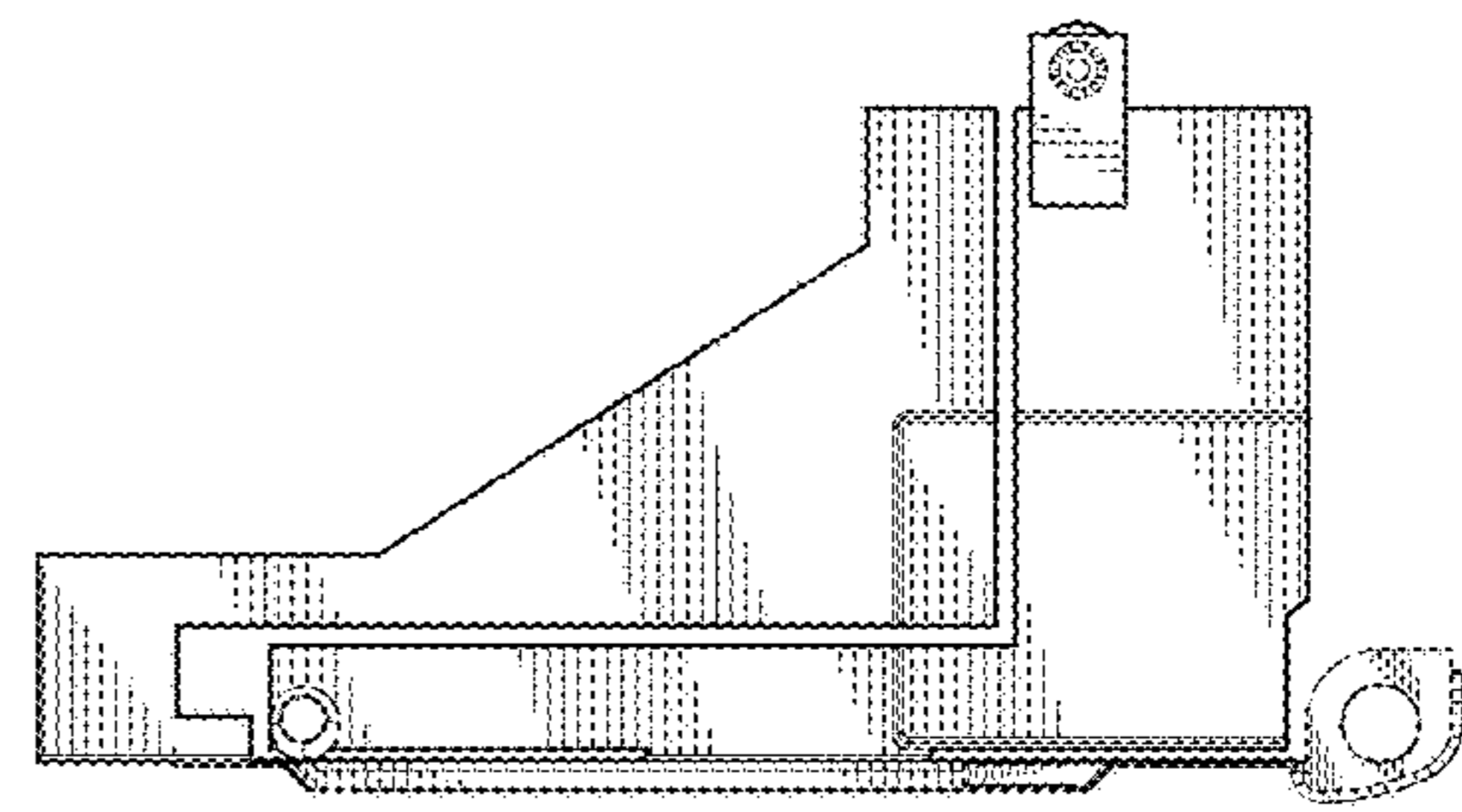
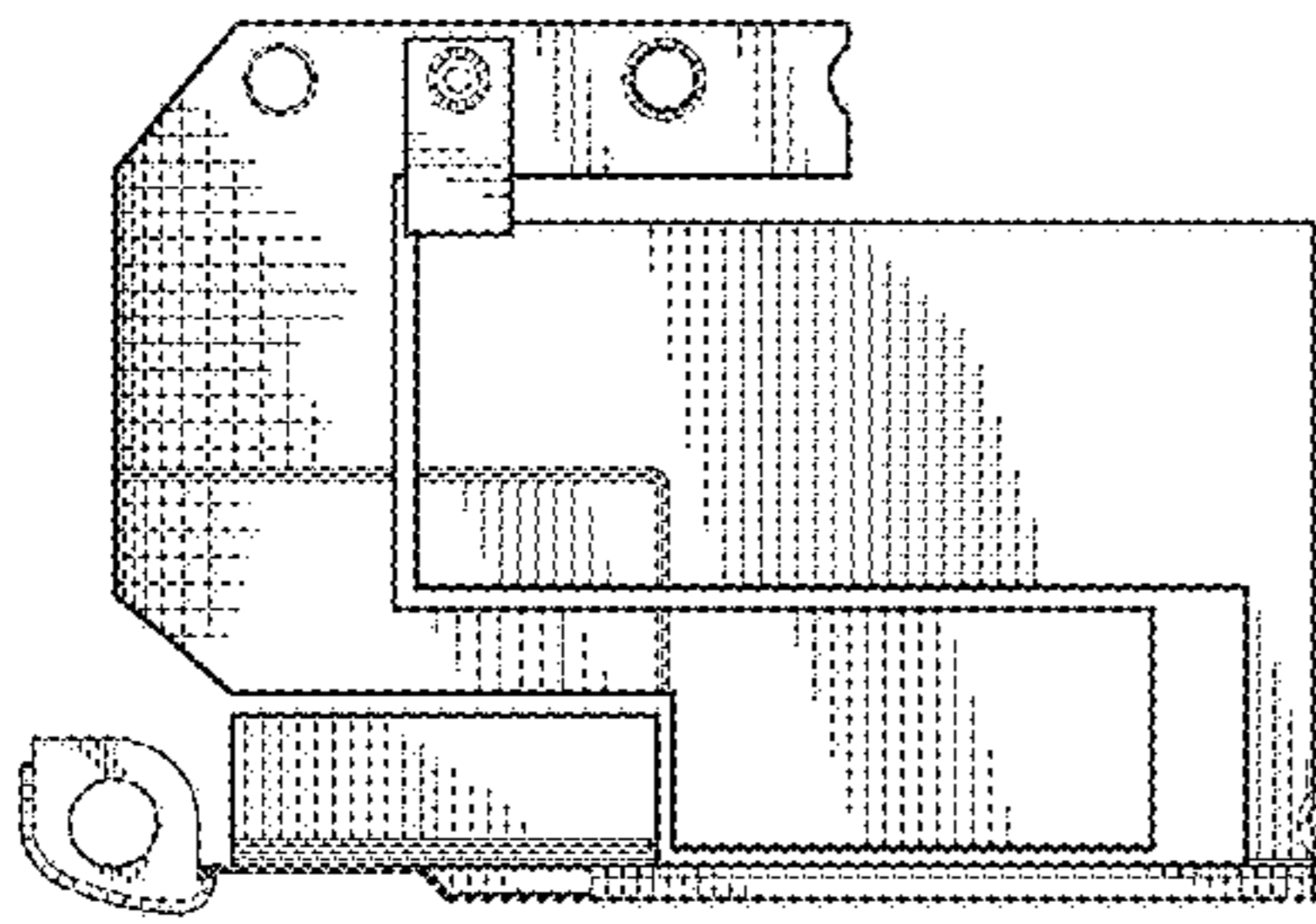


FIG.3

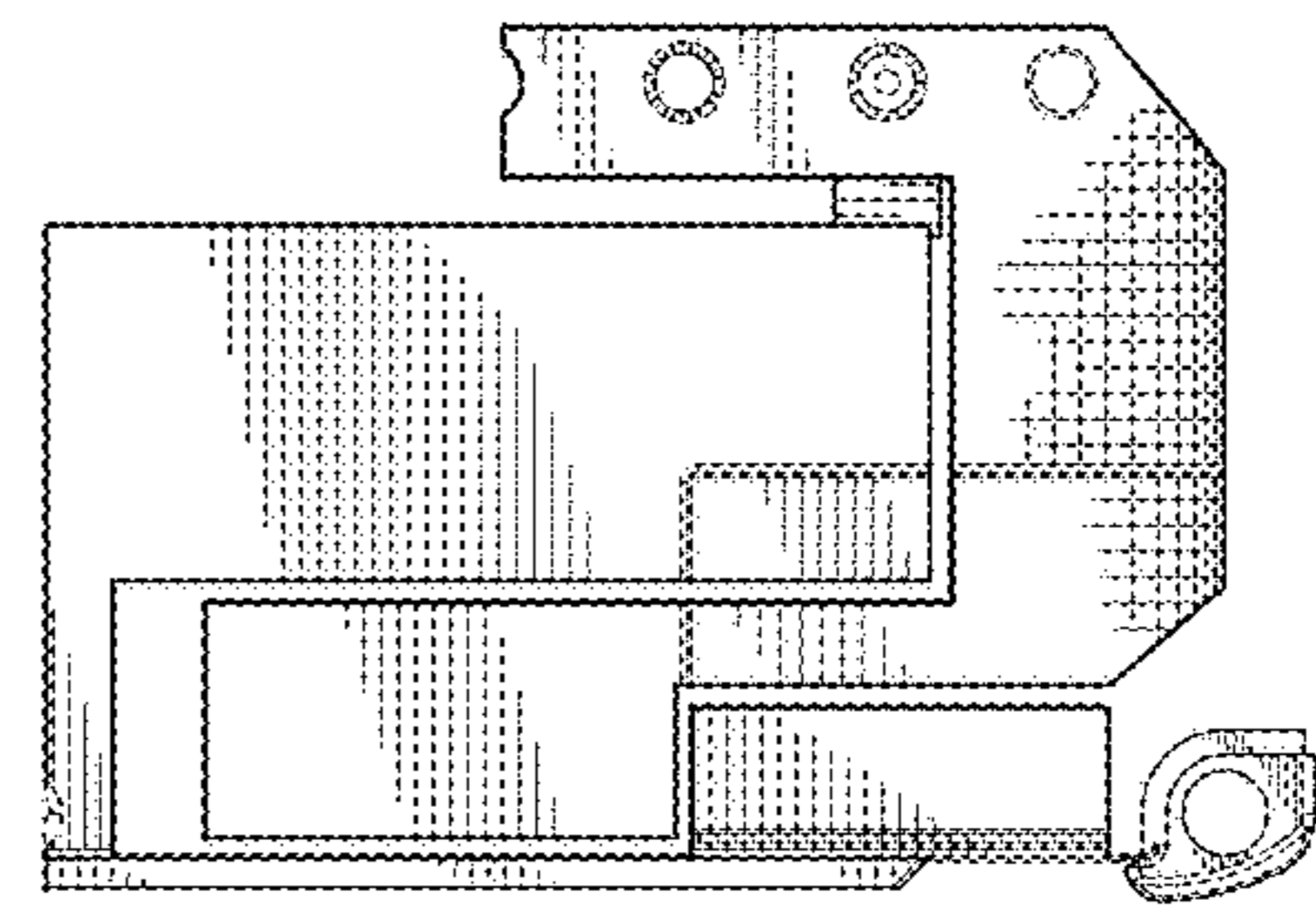
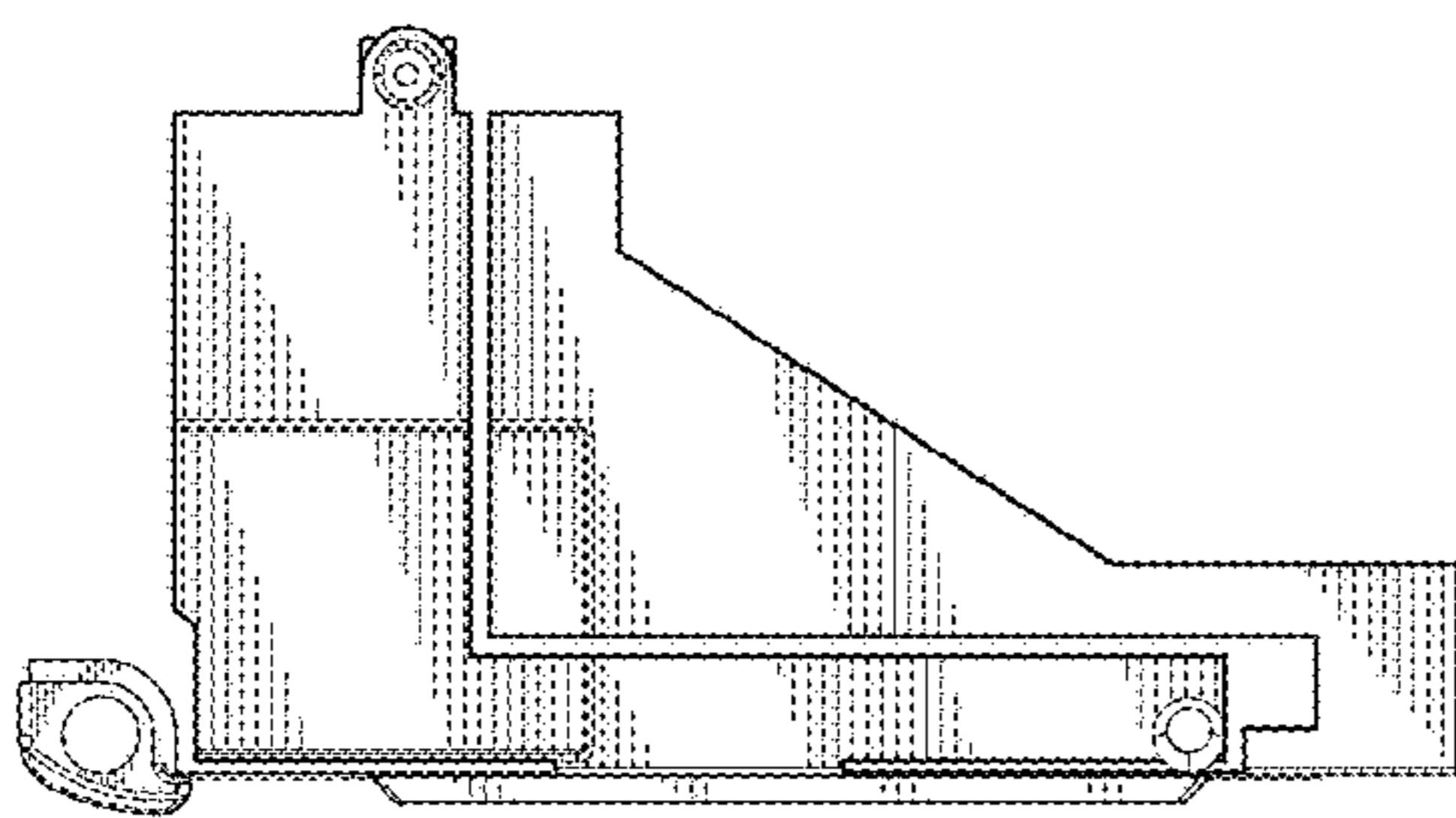


FIG.4

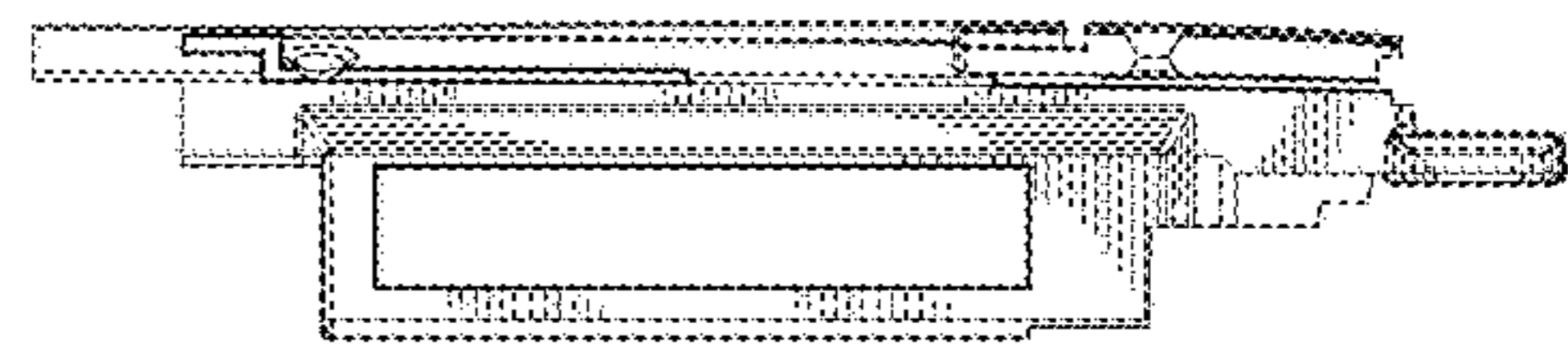
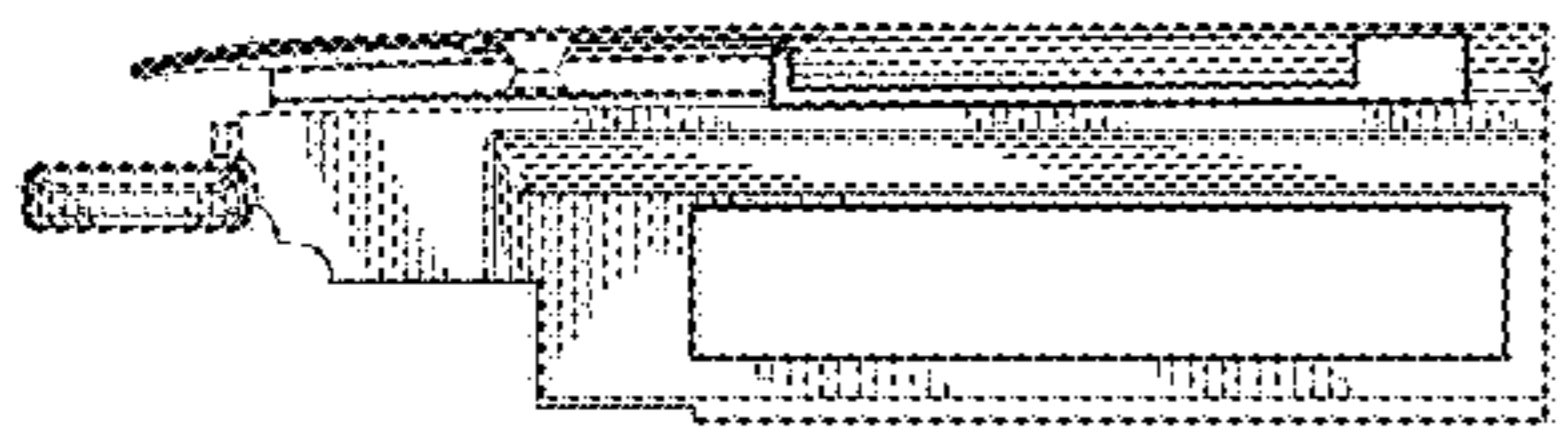


FIG.5

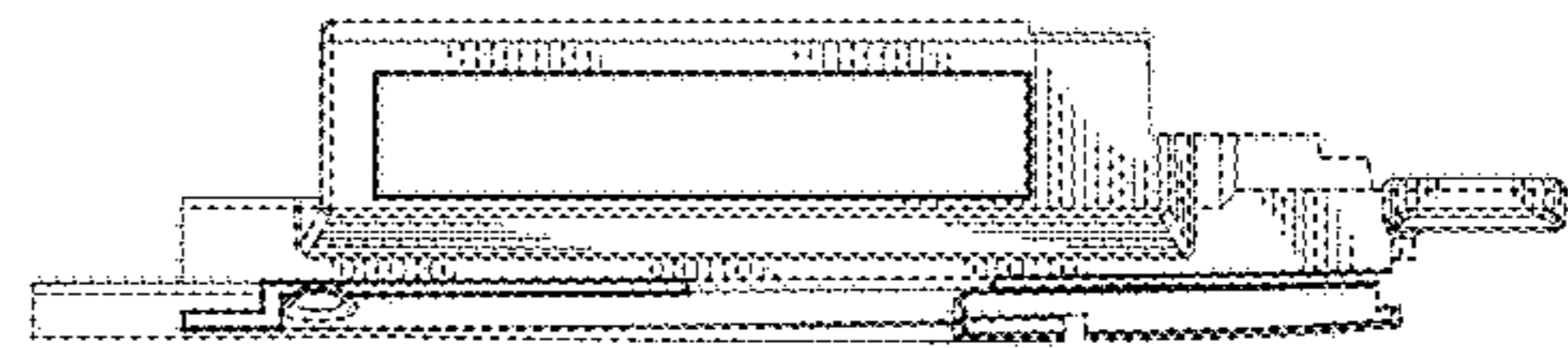
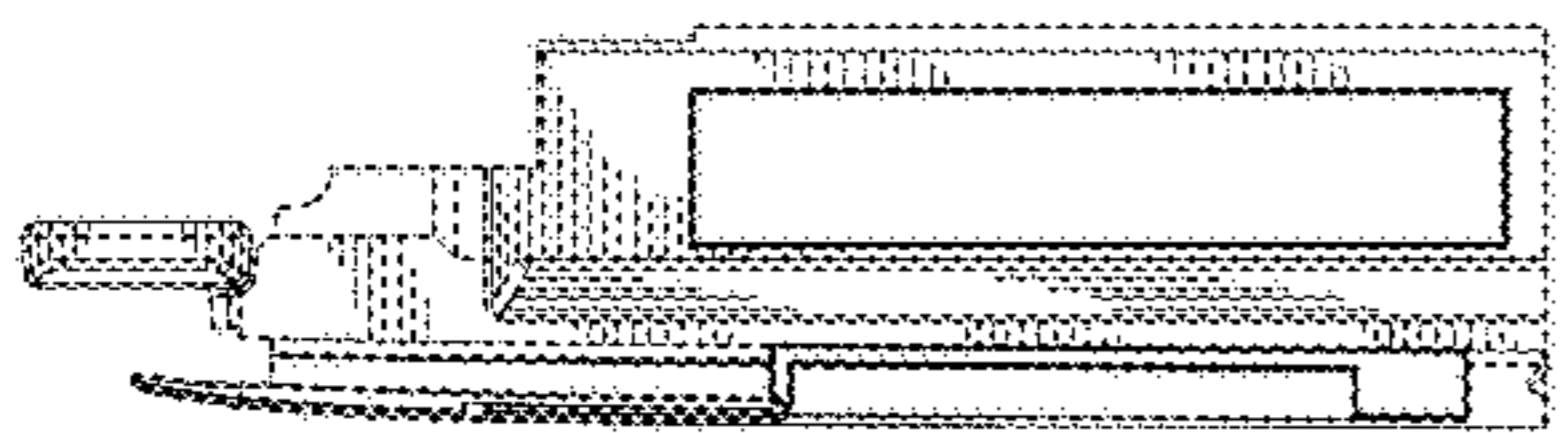


FIG.6

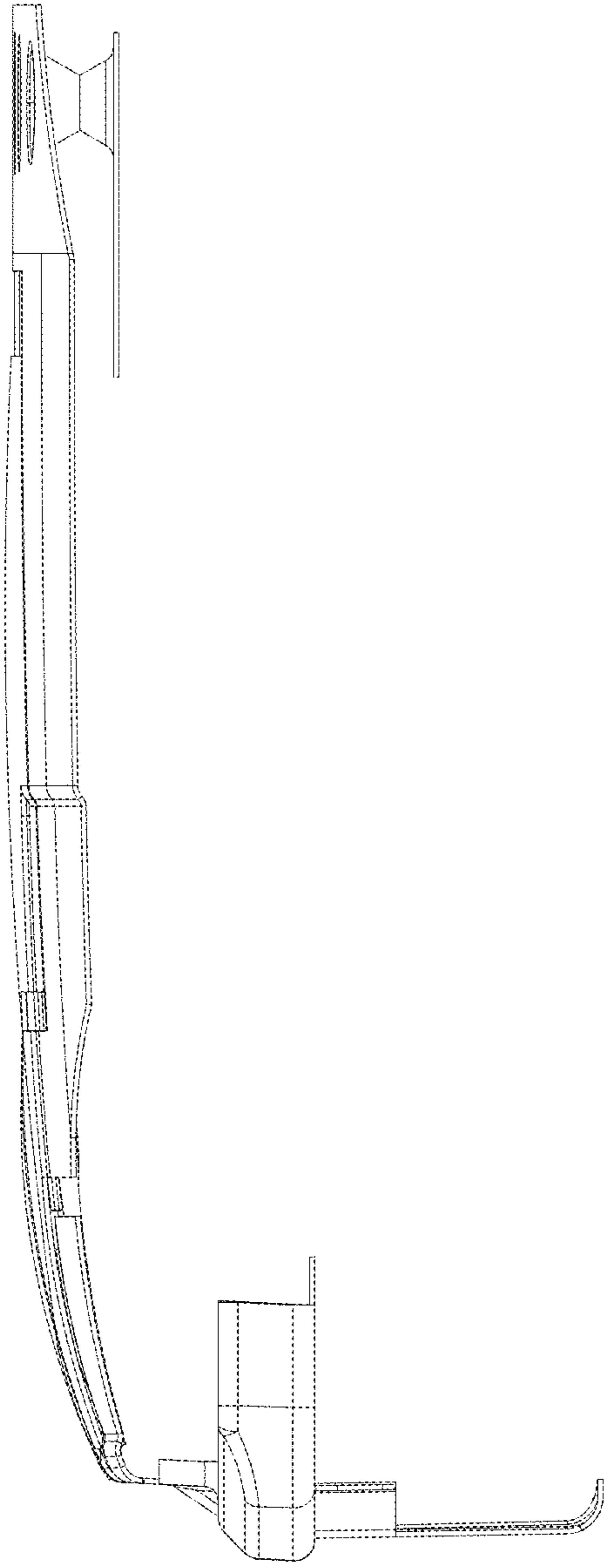


FIG. 7

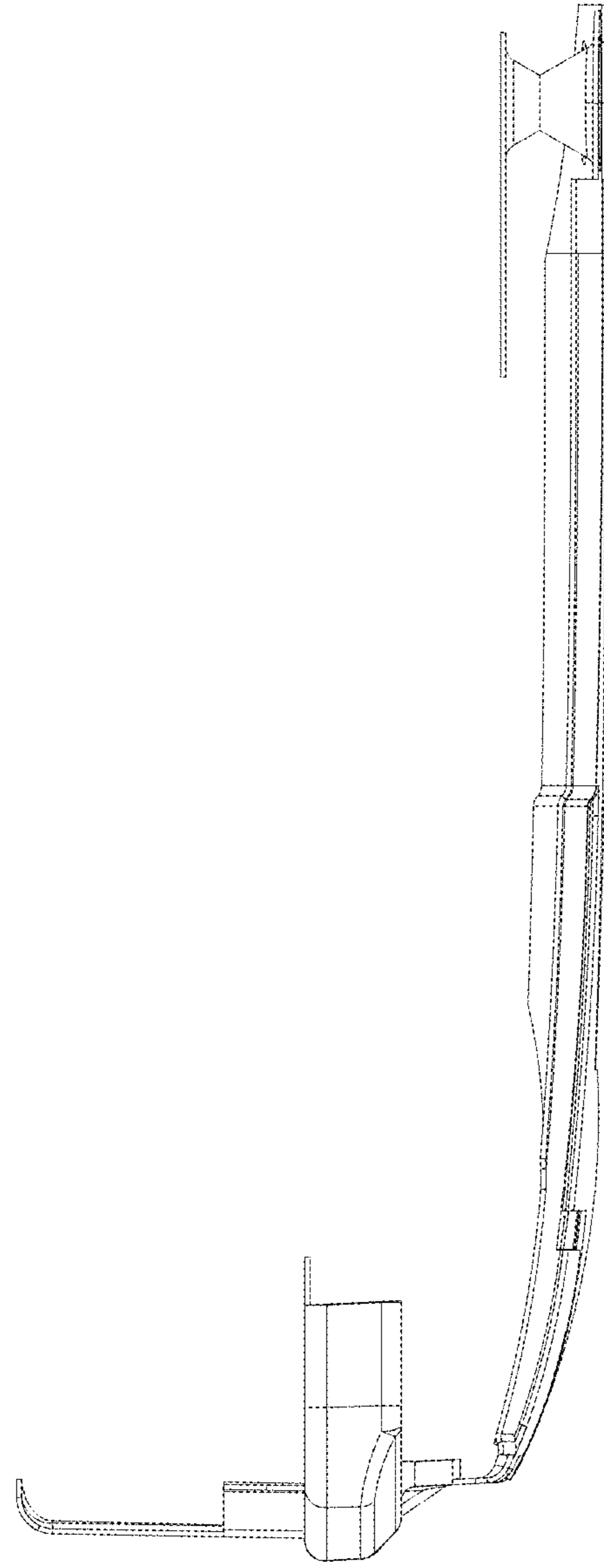


FIG. 8