



US00D801316S

(12) **United States Design Patent** (10) **Patent No.:** **US D801,316 S**  
**Weber et al.** (45) **Date of Patent:** **\*\* Oct. 31, 2017**

(54) **ANTENNA**

(56) **References Cited**

(71) Applicant: **Kathrein-Werke KG**, Rosenheim (DE)

U.S. PATENT DOCUMENTS

(72) Inventors: **Stefan Weber**, Söchtenau (DE);  
**Andreas Ploetz**, Chieming (DE)

D379,818	S	*	6/1997	Aldama	.....	D14/230
D442,168	S	*	5/2001	Warner	.....	D14/231
D501,848	S	*	2/2005	Uehara	.....	D14/240
D543,540	S	*	5/2007	Westerling	.....	D14/230
D543,975	S	*	6/2007	McCown	.....	D14/230
D558,189	S	*	12/2007	Inoue	.....	D14/230
D602,915	S	*	10/2009	Song	.....	D14/218
D603,382	S	*	11/2009	Takisawa	.....	D14/230
D692,332	S	*	10/2013	Ni	.....	D10/106.1
8,988,296	B2	*	3/2015	Koskiniemi	.....	G01S 19/14 343/702
D751,534	S	*	3/2016	Lenz	.....	D14/230
D773,443	S	*	12/2016	Sano	.....	D14/230
D775,612	S	*	1/2017	Sano	.....	D14/230

(73) Assignee: **KATHREIN-WERKE KG**, Rosenheim (DE)

(\*\*) Term: **15 Years**

(21) Appl. No.: **29/530,357**

(22) Filed: **Jun. 16, 2015**

(30) **Foreign Application Priority Data**

Dec. 18, 2014	(EM)	.....	001427611-0001
Dec. 18, 2014	(EM)	.....	001427611-0002
Dec. 18, 2014	(EM)	.....	001427611-0003
Dec. 18, 2014	(EM)	.....	001427611-0004
Dec. 18, 2014	(EM)	.....	001427611-0005
Dec. 18, 2014	(EM)	.....	001427611-0006
Dec. 18, 2014	(EM)	.....	001427611-0007
Dec. 18, 2014	(EM)	.....	001427611-0008

\* cited by examiner

*Primary Examiner* — Karen S Acker

*Assistant Examiner* — Jerry Hsu

(74) *Attorney, Agent, or Firm* — Nixon & Vanderhye PC

(57) **CLAIM**

The ornamental design for an antenna, as shown and described.

(51) **LOC (10) Cl.** ..... **14-03**

(52) **U.S. Cl.**  
USPC ..... **D14/230**

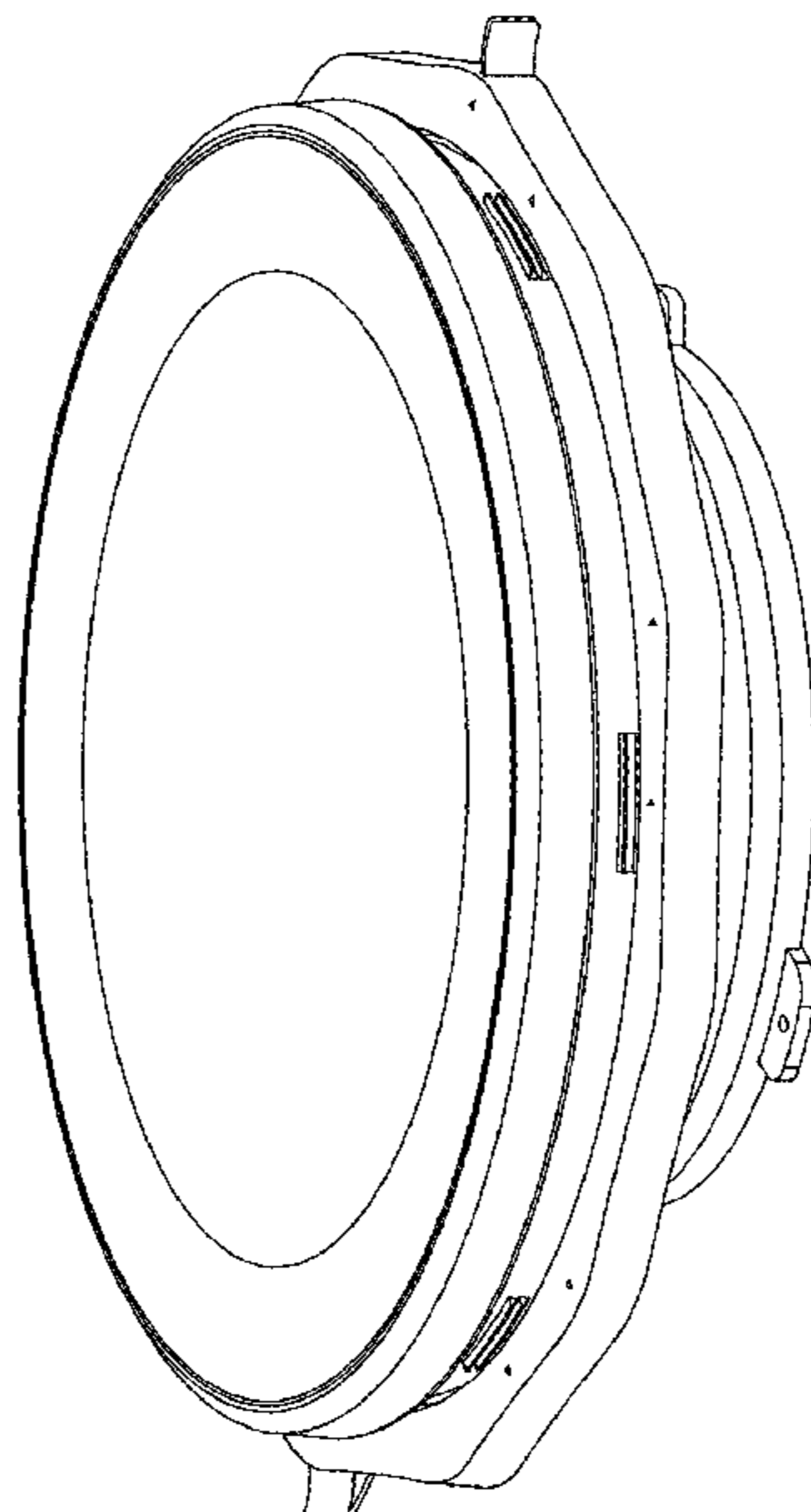
**DESCRIPTION**

(58) **Field of Classification Search**  
USPC ..... D14/230, 231, 232, 233, 234, 235, 236,  
D14/237, 238, 138, 299, 358, 240;  
D12/42, 43  
CPC ..... H01Q 7/00; H01Q 13/10; H01Q 9/285;  
H01Q 9/26; H01Q 19/30; H01Q 19/12;  
H01Q 1/38; H01Q 1/36; H01Q 1/42;  
H01Q 1/242; H01Q 1/243; H01Q 1/2266;  
H01Q 1/20; H01Q 1/08; H01Q 1/1235;  
H01Q 15/161; H01Q 15/162

FIG. 1 is a front perspective view of an antenna according to our design;  
FIG. 2 is a rear perspective view thereof;  
FIG. 3 is a left side elevation view thereof, the right side elevation view being a mirror thereof;  
FIG. 4 is a front elevation view thereof; and,  
FIG. 5 is a rear elevation view thereof.  
The broken lines in the drawings show environmental structure and form no part of the claimed design.

See application file for complete search history.

**1 Claim, 5 Drawing Sheets**



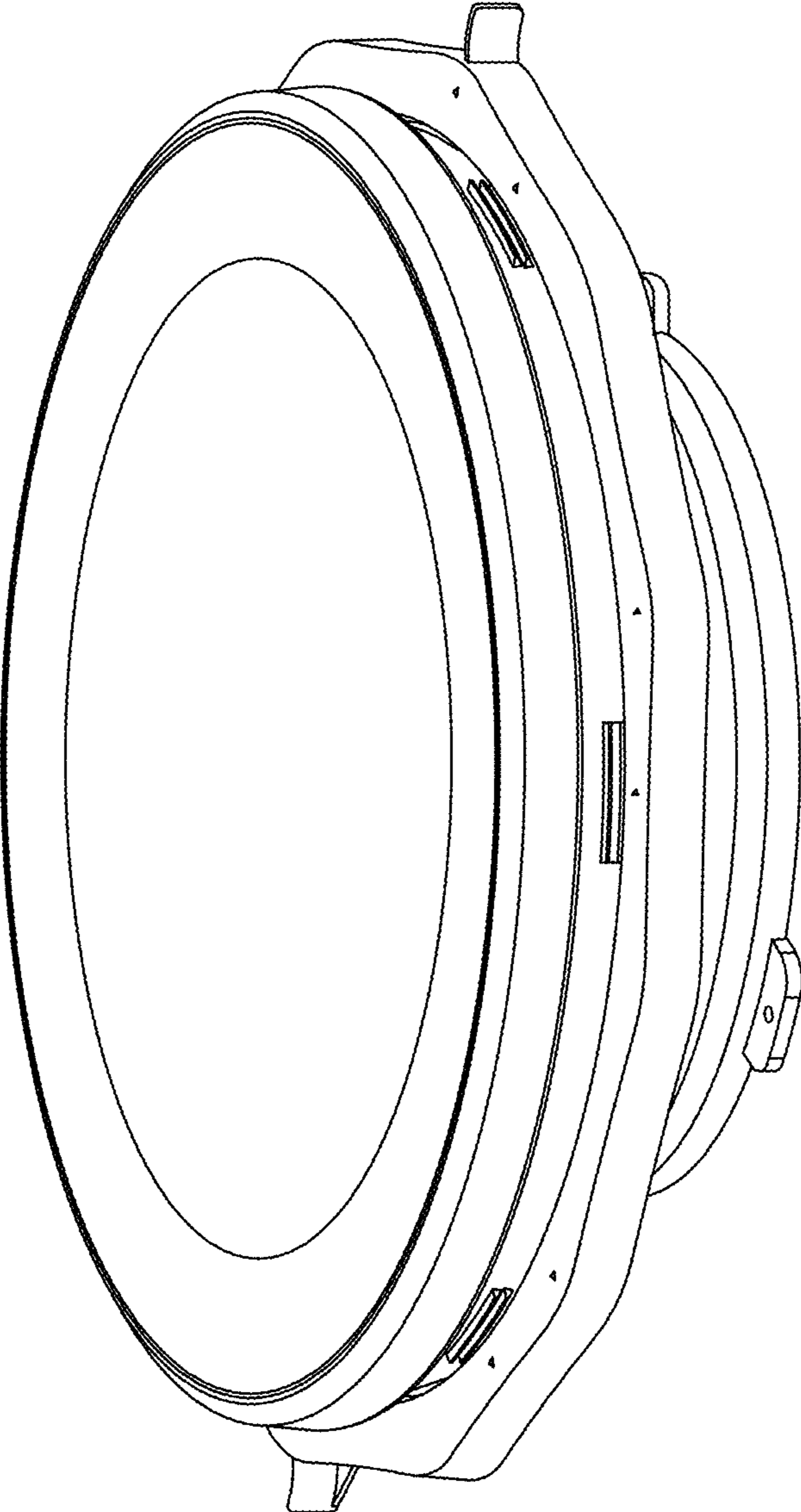


FIG. 1

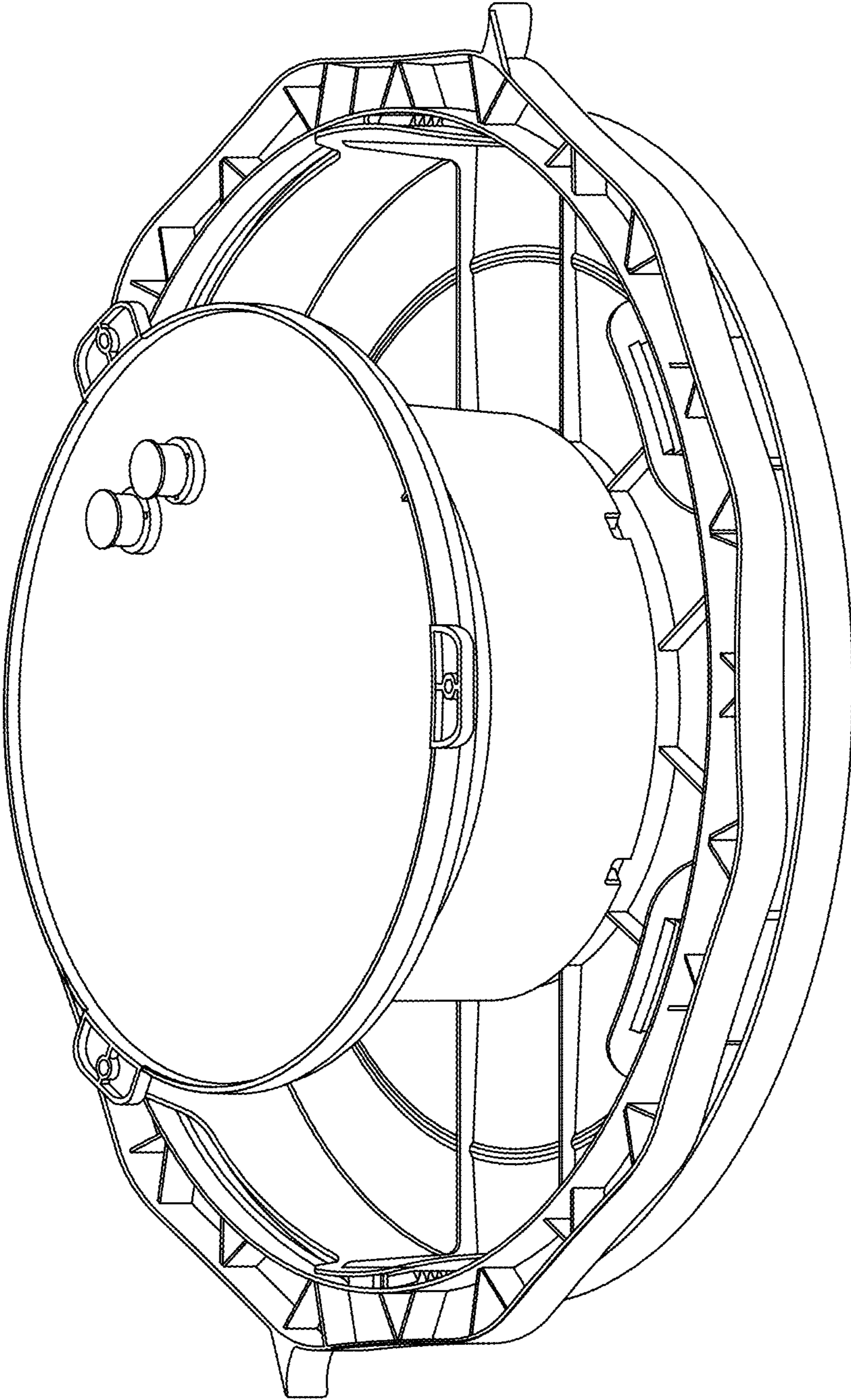


FIG. 2

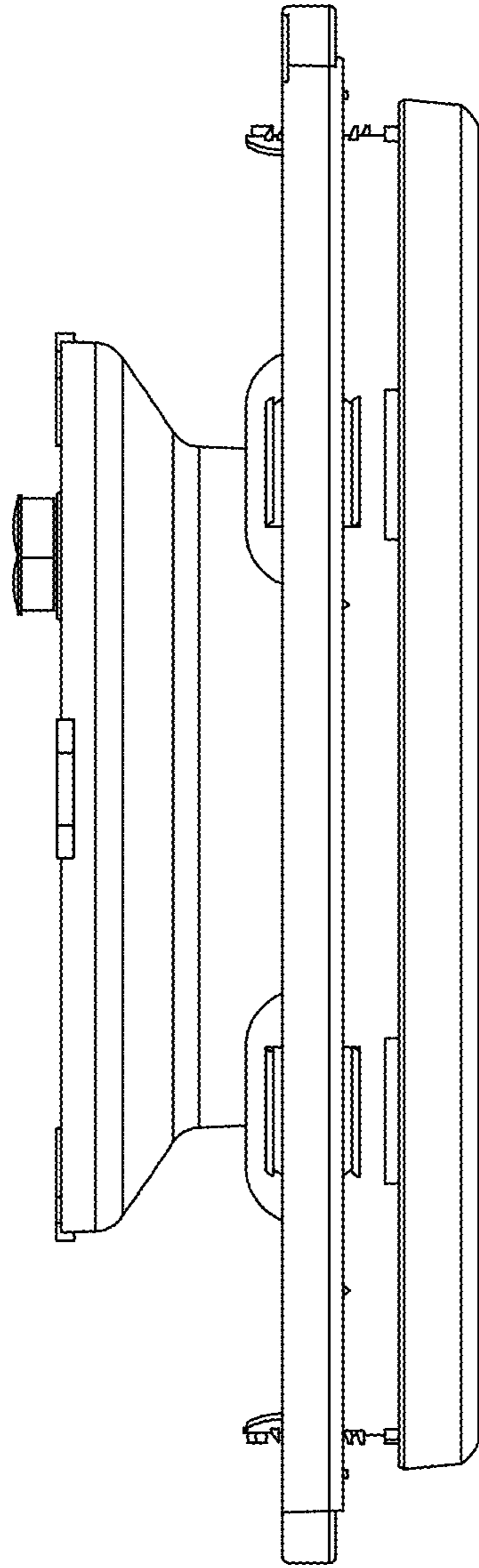


FIG. 3

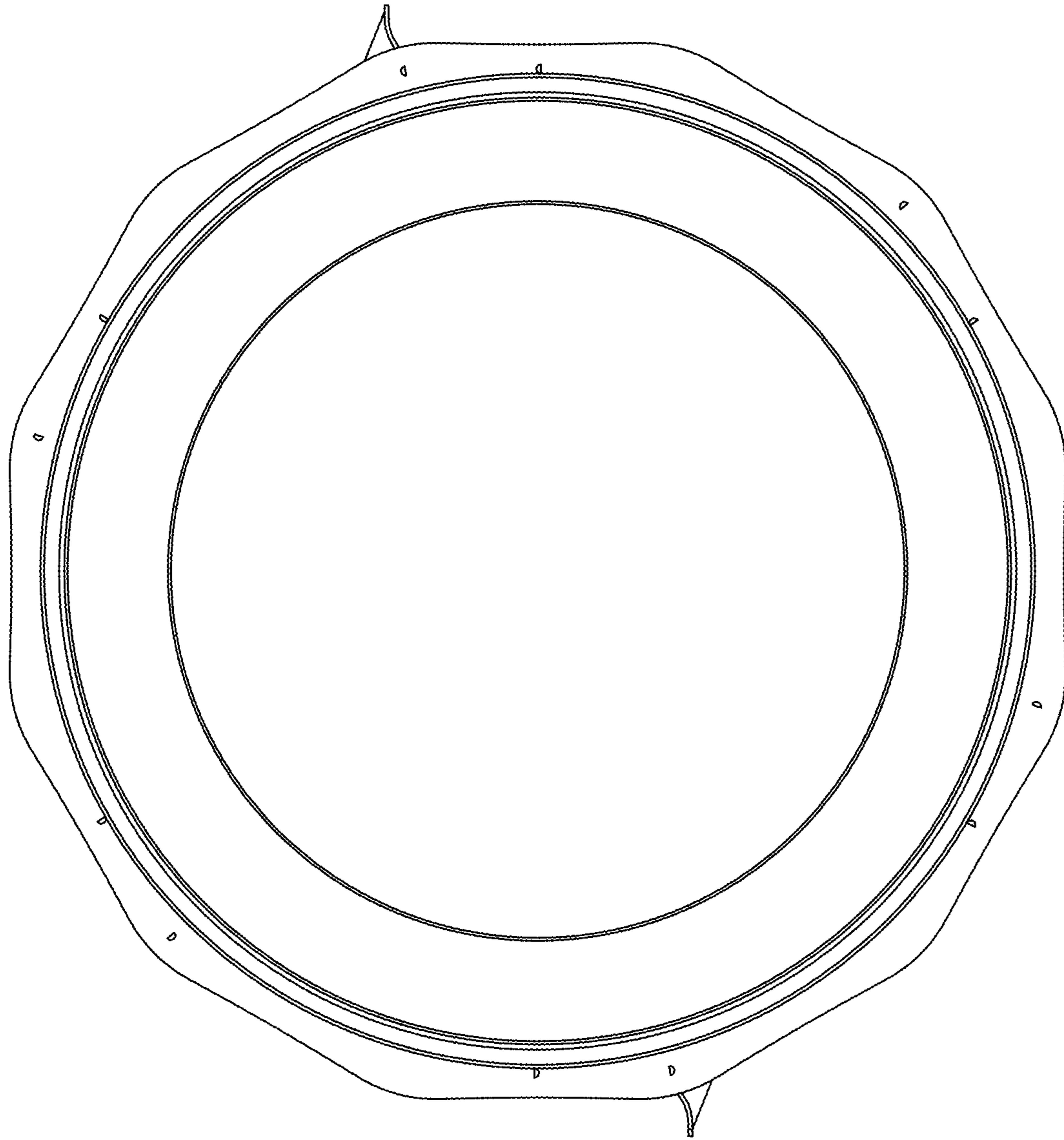


FIG. 4

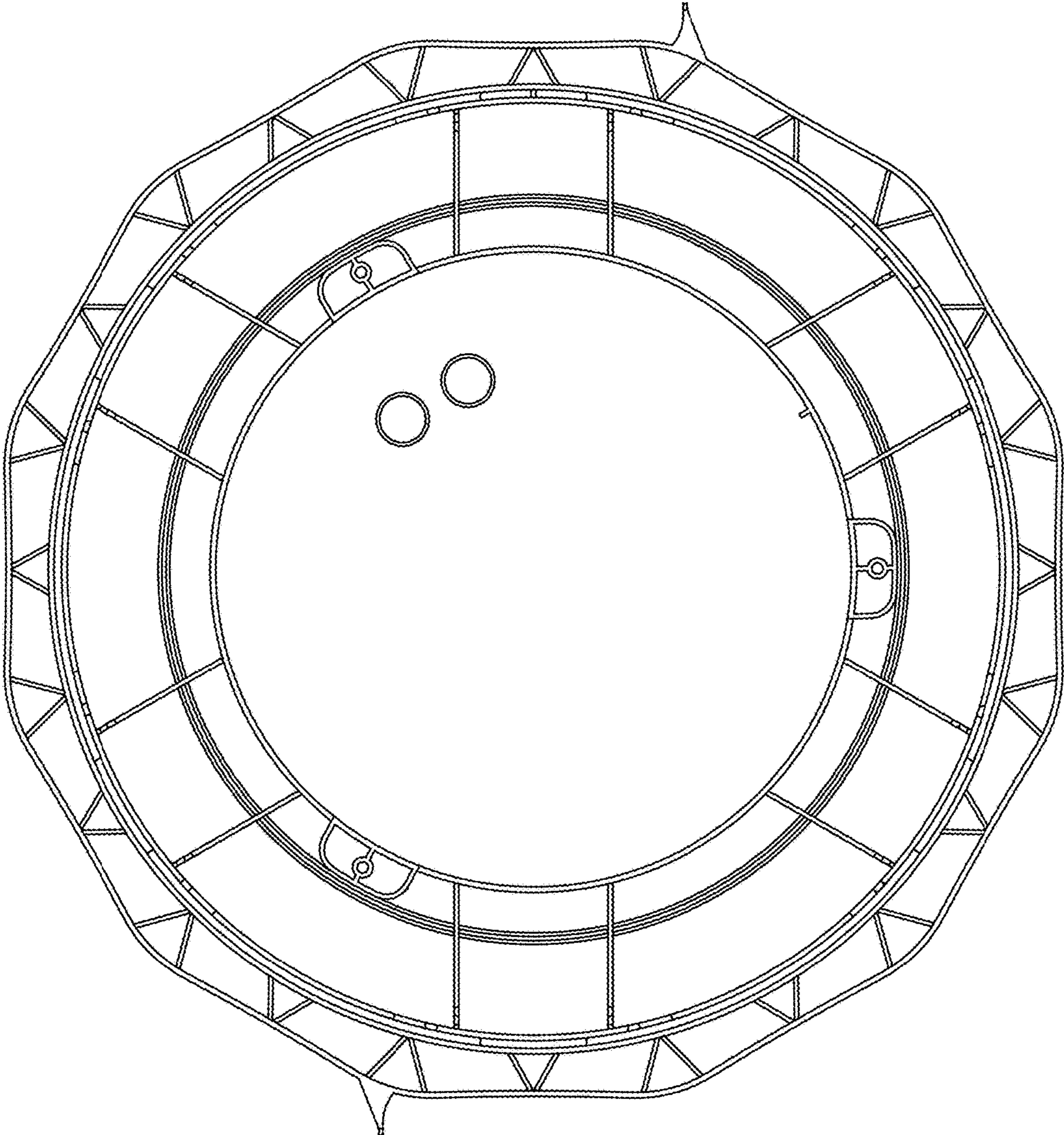


FIG. 5