



US00D801315S

(12) **United States Design Patent**  
**Kallas et al.**

(10) **Patent No.:** **US D801,315 S**

(45) **Date of Patent:** **\*\* Oct. 31, 2017**

(54) **HOLDER FOR MUSIC ACCESSORIES**

37/16; B62D 7/16; A61G 13/101; A61G  
13/121; B66C 23/62

(71) Applicant: **ACCESS PRODUCTS GROUP, LLC,**  
Bainbridge, WA (US)

See application file for complete search history.

(72) Inventors: **Ryan Kallas,** Bainbridge Island, WA  
(US); **J. Herschel Blankenship,**  
Bainbridge Island, WA (US)

(56) **References Cited**

U.S. PATENT DOCUMENTS

(73) Assignee: **ACCESS PRODUCTS GROUP, LLC,**  
Bainbridge, WA (US)

2,298,176	A *	10/1942	Schwartz	.....	F16M 11/14 248/182.1
3,278,207	A *	10/1966	Barish	.....	A61G 13/10 285/312
D268,672	S *	4/1983	McPherson	.....	D14/229
D278,233	S *	4/1985	Hardy	.....	D14/229
4,647,434	A *	3/1987	Ayers	.....	B01J 8/1872 165/82
D289,835	S *	5/1987	Schoenig	.....	D14/229
5,118,058	A *	6/1992	Richter	.....	F16C 11/103 248/183.2
D432,812	S *	10/2000	Rivera	.....	D6/673
D450,339	S *	11/2001	Eason	.....	D16/244

(\*\*) Term: **14 Years**

(21) Appl. No.: **29/502,138**

(22) Filed: **Sep. 12, 2014**

(Continued)

**Related U.S. Application Data**

*Primary Examiner* — Sandra Snapp

*Assistant Examiner* — Holly E Thurman

(63) Continuation of application No. 29/421,803, filed on  
Sep. 26, 2012, now Pat. No. Des. 714,267.

(74) *Attorney, Agent, or Firm* — J. Bennett Mullinax,  
LLC

(51) **LOC (10) Cl.** ..... **14-01**

(57) **CLAIM**

(52) **U.S. Cl.**  
USPC ..... **D14/229**

The ornamental design for a holder for music accessories, as  
shown and described.

(58) **Field of Classification Search**

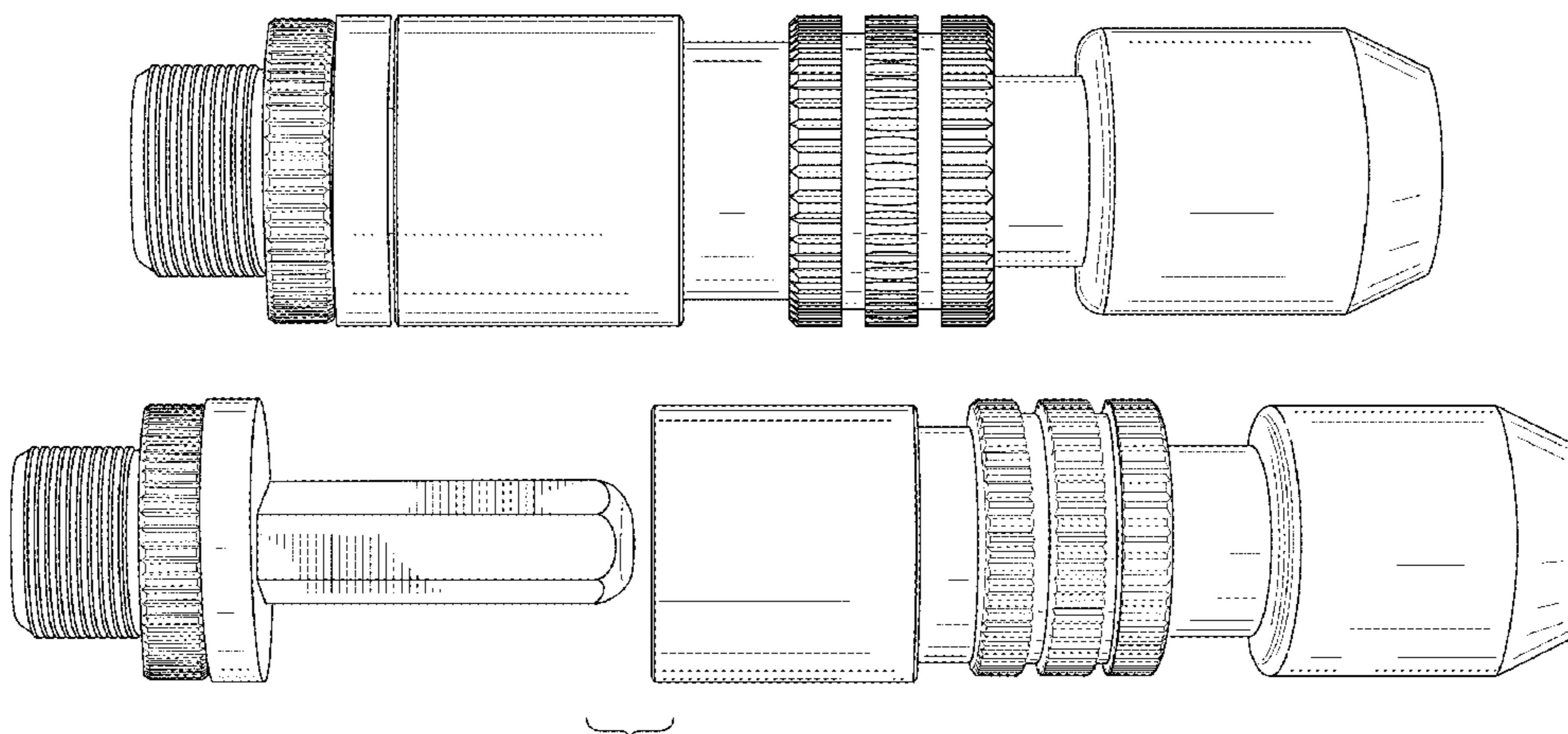
**DESCRIPTION**

USPC ..... D14/224, 225, 226, 229; D8/355, 394,  
D8/396; D16/248; D17/22; 84/730;  
248/55, 57, 183.1, 183.2, 278.11, 229.12,  
248/229.15, 229.25, 289.31, 278.1;  
381/365, 368

CPC .. G10H 3/146; G10H 3/143; G10H 2220/525;  
G10H 2230/275; G10D 13/024; F16M  
11/12; F16M 11/14; F16M 11/04; F16M  
13/02; F16C 11/106; F16C 11/0614;  
F16C 11/0619; F16C 11/06; F16C  
11/0623; F16L 37/18; F16L 37/05; F16L

FIG. 1 is a front view, the rear, right side and left side views  
being identical, of a holder for music accessories according  
to the present invention;  
FIG. 2 is an expanded view of the top and bottom portion of  
FIG. 1;  
FIG. 3 is a fully exploded view of top and bottom portion of  
FIG. 1;  
FIG. 4 is a top view thereof;  
FIG. 5 is a bottom view of FIG. 1; and,  
FIG. 6 is an enlarged surface view of the top and bottom  
portions where joined together of FIG. 3.

(Continued)



The broken lines shown in the drawing disclosure are for illustrative purposes only and form no part of the claimed design.

**1 Claim, 6 Drawing Sheets**

(56)

**References Cited**

U.S. PATENT DOCUMENTS

6,328,270	B1 *	12/2001	Elberbaum	.....	F16L 27/04 248/288.31
6,375,135	B1 *	4/2002	Eason	.....	F16M 11/16 248/163.1
D464,953	S *	10/2002	Lenz	.....	D14/229
D464,954	S *	10/2002	Lenz	.....	D14/229
D464,955	S *	10/2002	Lenz	.....	D14/229
6,588,716	B1 *	7/2003	Heid	.....	A47B 19/002 248/125.8
6,595,704	B2 *	7/2003	Ambrose	.....	H04N 5/247 348/143
6,922,475	B2	7/2005	Hsieh		
D519,990	S	5/2006	Lazor		
7,100,881	B2	9/2006	Worrall		
D579,928	S	11/2008	Murata		
D581,907	S	12/2008	Crous		
D617,781	S	6/2010	Kallas et al.		
D618,222	S	6/2010	Kallas et al.		
8,342,468	B1	1/2013	Strickland		
8,398,315	B2	3/2013	Johnson		
8,571,250	B2	10/2013	Royer et al.		

8,609,970	B2	12/2013	May		
8,714,744	B2 *	5/2014	Greaves	.....	F16M 11/04 348/373
D714,267	S *	9/2014	Kallas	.....	D14/229
8,910,914	B2 *	12/2014	Bigeh	.....	F16M 11/14 248/188.1
D761,100	S *	7/2016	Divers	.....	D8/396
2007/0080268	A1	4/2007	Worrell		
2009/0039215	A1	2/2009	Hilderman et al.		
2011/0020055	A1	1/2011	Kallas et al.		
2011/0072956	A1	3/2011	Wall		
2013/0264450	A1	10/2013	Bigeh		
2014/0234015	A1 *	8/2014	Kallas	.....	H04R 1/083 403/90
2015/0001365	A1 *	1/2015	Vogt	.....	F16M 11/10 248/371
2015/0122968	A1 *	5/2015	Hu	.....	F16M 11/16 248/558
2015/0168815	A1 *	6/2015	Chen	.....	G03B 17/561 396/427
2015/0192242	A1 *	7/2015	Zhang	.....	F16M 13/02 248/176.3
2015/0243267	A1 *	8/2015	Miyajima	.....	G10D 13/06 84/421
2015/0354745	A1 *	12/2015	Tarnay	.....	F16M 11/14 248/371
2015/0370148	A1 *	12/2015	Battaglia	.....	F16M 11/10 396/428
2016/0115991	A1 *	4/2016	Huang	.....	F16C 11/045 403/141
2016/0116103	A1 *	4/2016	Gabrielli	.....	F16M 11/041 248/125.8
2016/0217777	A9 *	7/2016	Steele	.....	G10D 13/024

\* cited by examiner

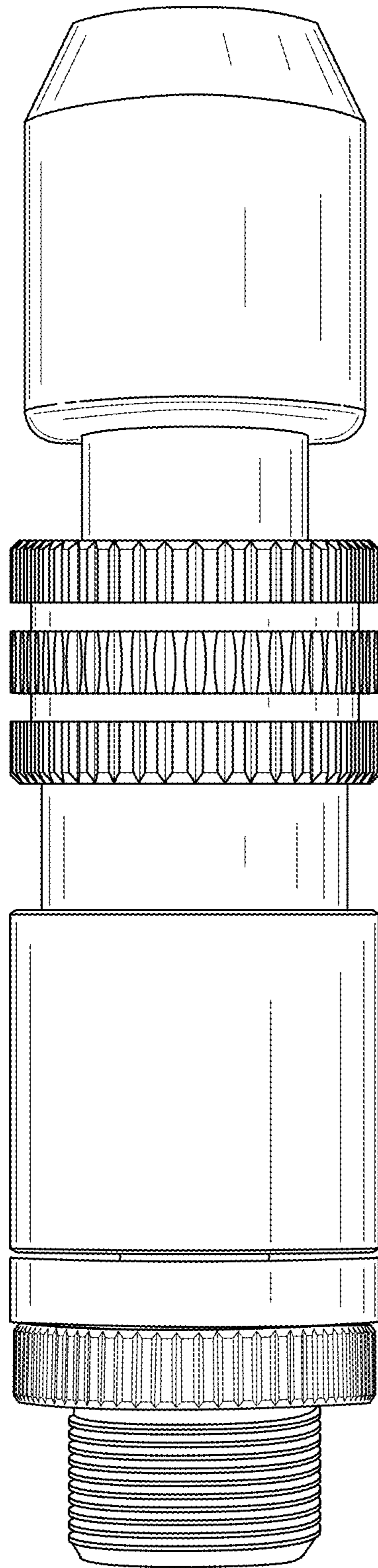


FIG. 1

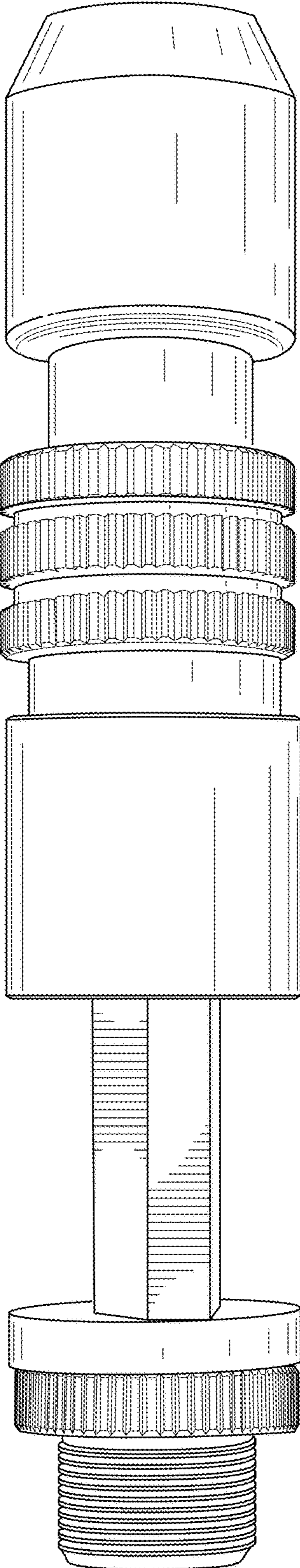


FIG. 2

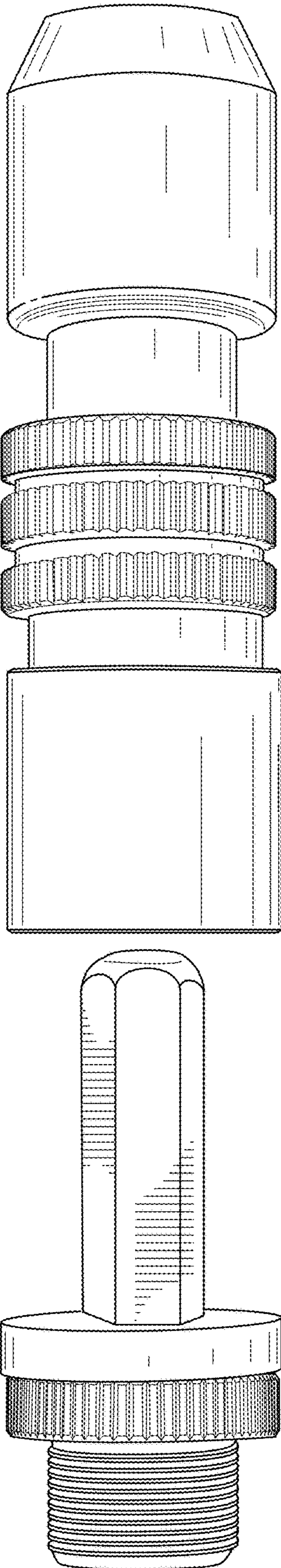
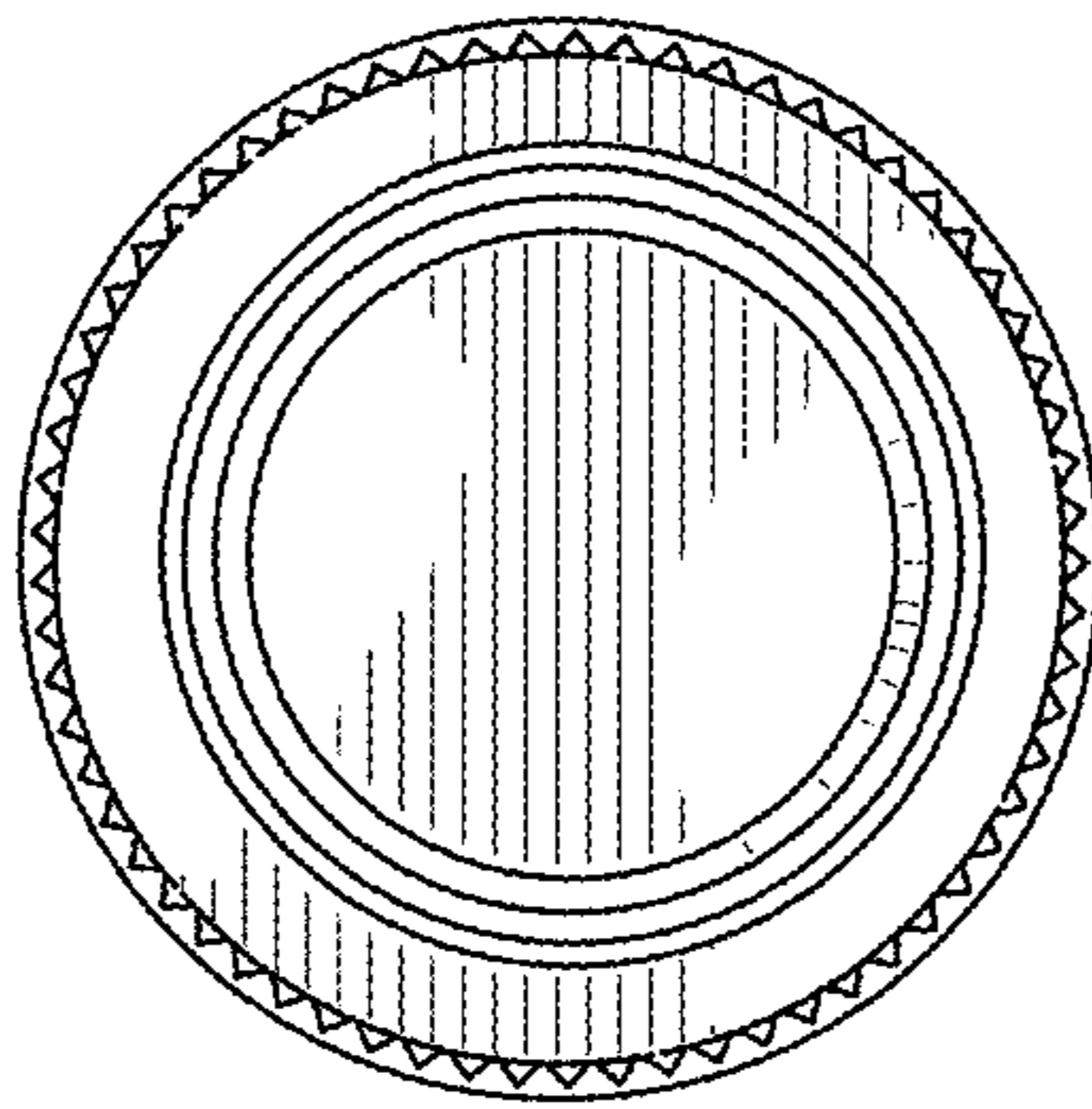
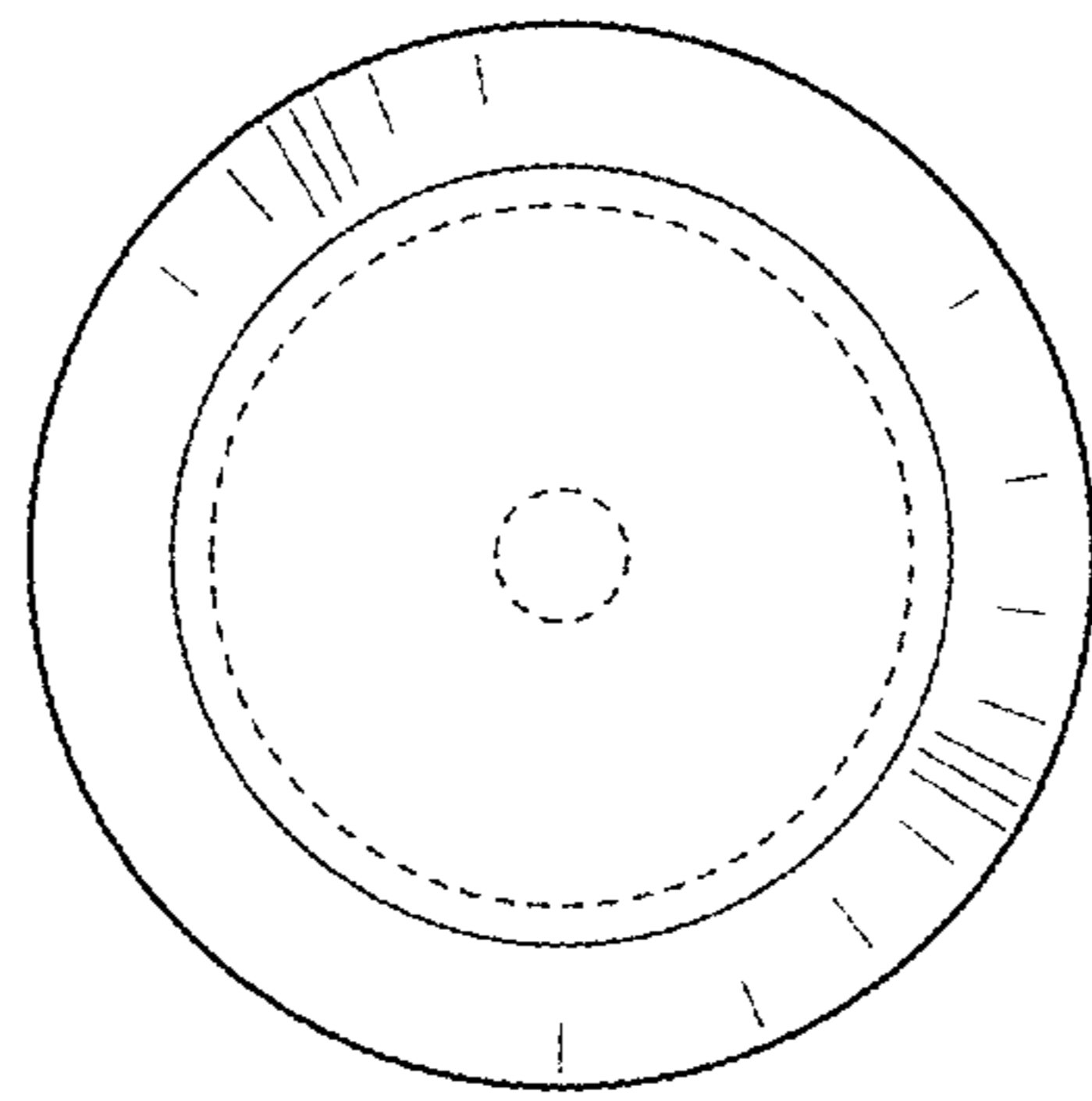


FIG. 3



**FIG. 4**



**FIG. 5**

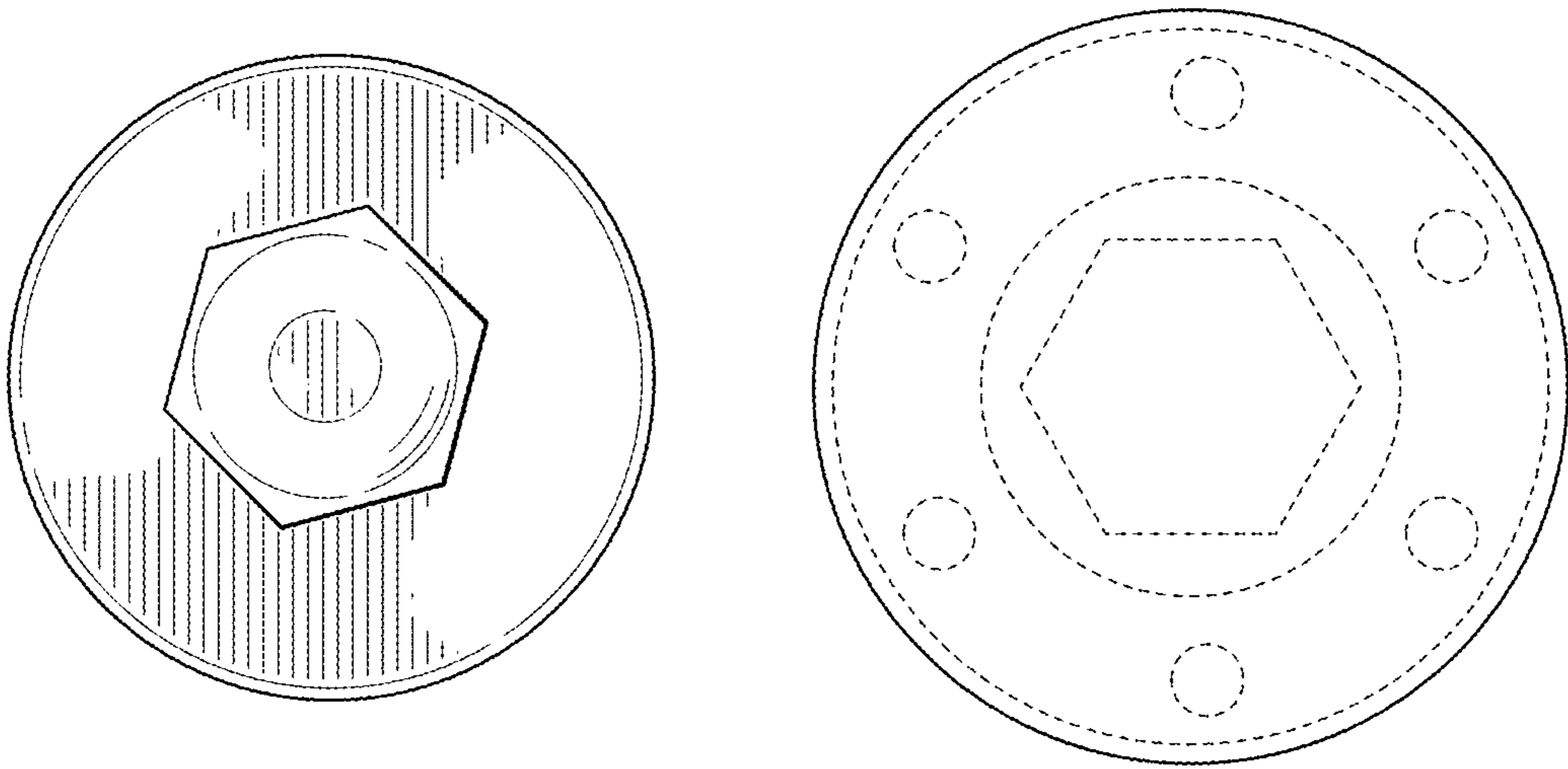


FIG. 6