



US00D801313S

(12) **United States Design Patent**
Lai

(10) **Patent No.:** **US D801,313 S**

(45) **Date of Patent:** **** Oct. 31, 2017**

- (54) **WIRELESS EARSET**
- (71) Applicant: **Qing Lai**, Maoming (CN)
- (72) Inventor: **Qing Lai**, Maoming (CN)
- (73) Assignee: **Shenzhen Joway Power Supply Co., Ltd**, Shenzhen (CN)
- (**) Term: **15 Years**
- (21) Appl. No.: **29/570,904**
- (22) Filed: **Jul. 13, 2016**
- (51) **LOC (10) Cl.** **14-01**
- (52) **U.S. Cl.**
USPC **D14/223**
- (58) **Field of Classification Search**
USPC D14/223, 205, 138 AA, 138 AB, 225,
D14/226; D24/174; 181/129, 130, 135;
379/430, 431; 381/315, 330, 380, 381,
381/370, 374, 375; 455/90.3, 575.1
CPC H04R 25/00; H04R 1/10; H04R 1/105;
H04R 1/1066; H04R 1/1016; H04R
5/033; H04R 5/0335
See application file for complete search history.

- D595,273 S * 6/2009 Kim D14/223
- 7,609,845 B2 * 10/2009 Chang H04R 1/1066
381/370
- D603,378 S * 11/2009 Paradise D14/223
- D604,722 S * 11/2009 Mistry D14/223
- 7,639,825 B2 * 12/2009 Fukuda H04M 1/03
381/151
- D616,873 S * 6/2010 Olivier D14/223
- 7,778,410 B2 * 8/2010 Liu H04M 1/05
379/430
- D629,396 S * 12/2010 Andre D14/223
- D630,622 S * 1/2011 Lee D14/223
- D634,305 S * 3/2011 Hoggarth D14/223
- D636,381 S * 4/2011 Liner D14/223
- D637,183 S * 5/2011 March D14/223
- D637,184 S * 5/2011 March D14/223
- D640,242 S * 6/2011 Fahrendorff D14/223
- D643,420 S * 8/2011 Huang D14/223
- D647,891 S * 11/2011 Son D14/223
- D648,710 S * 11/2011 Ha D14/223
- D649,957 S * 12/2011 Fahrendorff D14/223
- D656,490 S * 3/2012 Birger D14/223

(Continued)

Primary Examiner — Paula Allen Greene

(57) **CLAIM**

The ornamental design for wireless earset, as shown.

DESCRIPTION

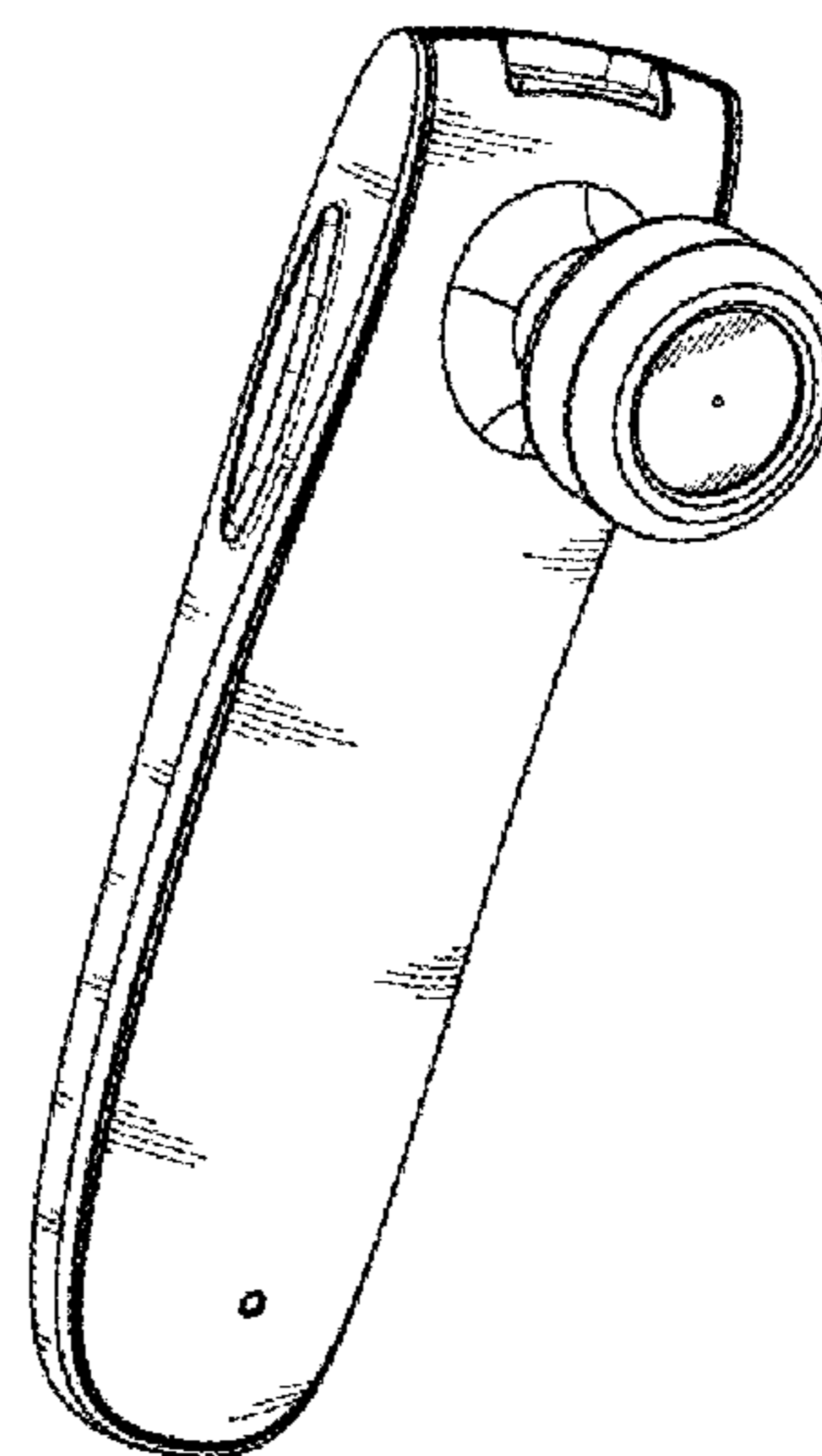
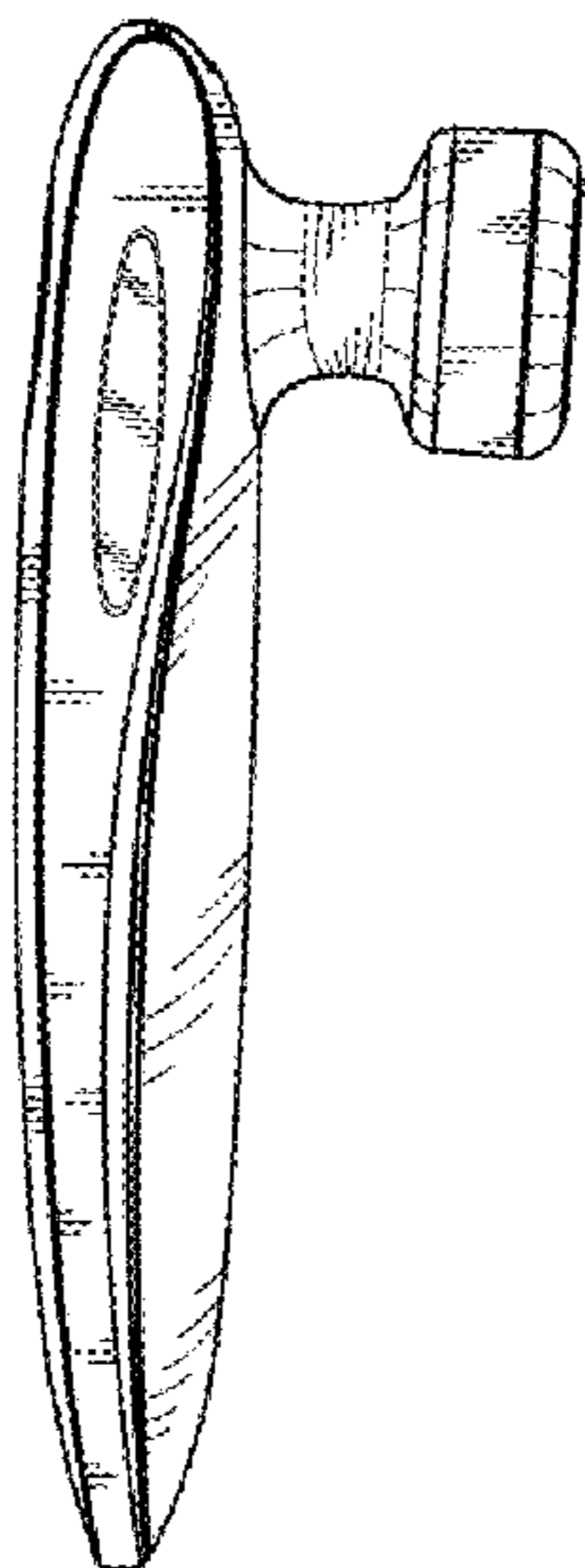
FIG. 1 is a front elevational view of a wireless earset showing my new design;
 FIG. 2 is a rear elevational view thereof;
 FIG. 3 is a left side elevational view thereof;
 FIG. 4 is a right side elevational view thereof;
 FIG. 5 is a top plan view thereof;
 FIG. 6 is a bottom plan view thereof; and,
 FIG. 7 is a rear perspective view thereof.
 The claimed wireless earset is used to connect a bluetooth enabled device as a microphone and earphone.

1 Claim, 1 Drawing Sheet

(56) **References Cited**

U.S. PATENT DOCUMENTS

- 2,477,698 A * 8/1949 Little H04R 25/604
381/322
- D479,834 S * 9/2003 Salazar D14/205
- D517,054 S * 3/2006 Yang D14/205
- 7,079,664 B2 * 7/2006 Nassimi H04R 25/558
381/328
- D538,271 S * 3/2007 Kim D14/223
- D539,787 S * 4/2007 Kim D14/223
- D554,626 S * 11/2007 Christopher D14/223
- D581,396 S * 11/2008 Wikel D14/206
- D590,377 S * 4/2009 Bradford D14/223



(56)

References Cited

U.S. PATENT DOCUMENTS

8,139,808	B2 *	3/2012	Liu	H04M 1/05 381/330
D657,781	S *	4/2012	Yang	D14/223
D664,125	S *	7/2012	Koch	D14/223
D664,950	S *	8/2012	Rye	D14/223
8,270,915	B2 *	9/2012	Sanford	H01Q 1/243 343/904
8,285,208	B2 *	10/2012	Terlizzi	H04M 1/05 379/428.02
D691,120	S *	10/2013	Koch	D14/223
D693,796	S *	11/2013	Birger	D14/223
D705,751	S *	5/2014	Wenger	D14/206
D707,659	S *	6/2014	Henning	D14/223
D772,203	S *	11/2016	Zeng	D14/223
D779,462	S *	2/2017	Birger	D14/223
D787,478	S *	5/2017	Wu	D14/223
2007/0116320	A1 *	5/2007	Ju	H04M 1/6066 381/380
2009/0116678	A1 *	5/2009	Bevirt	C22F 1/006 381/381

* cited by examiner

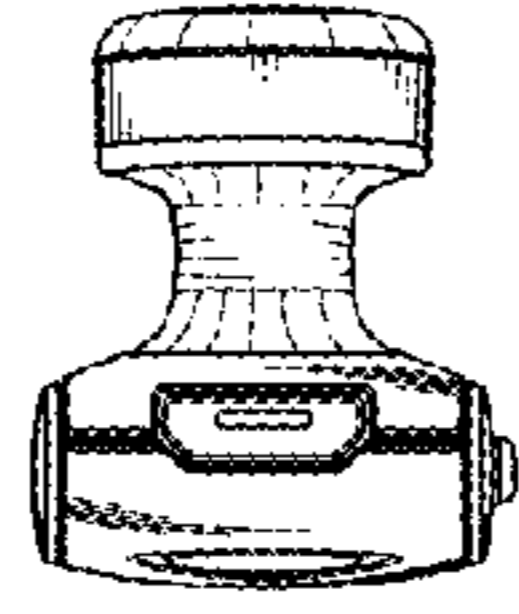


FIG. 5

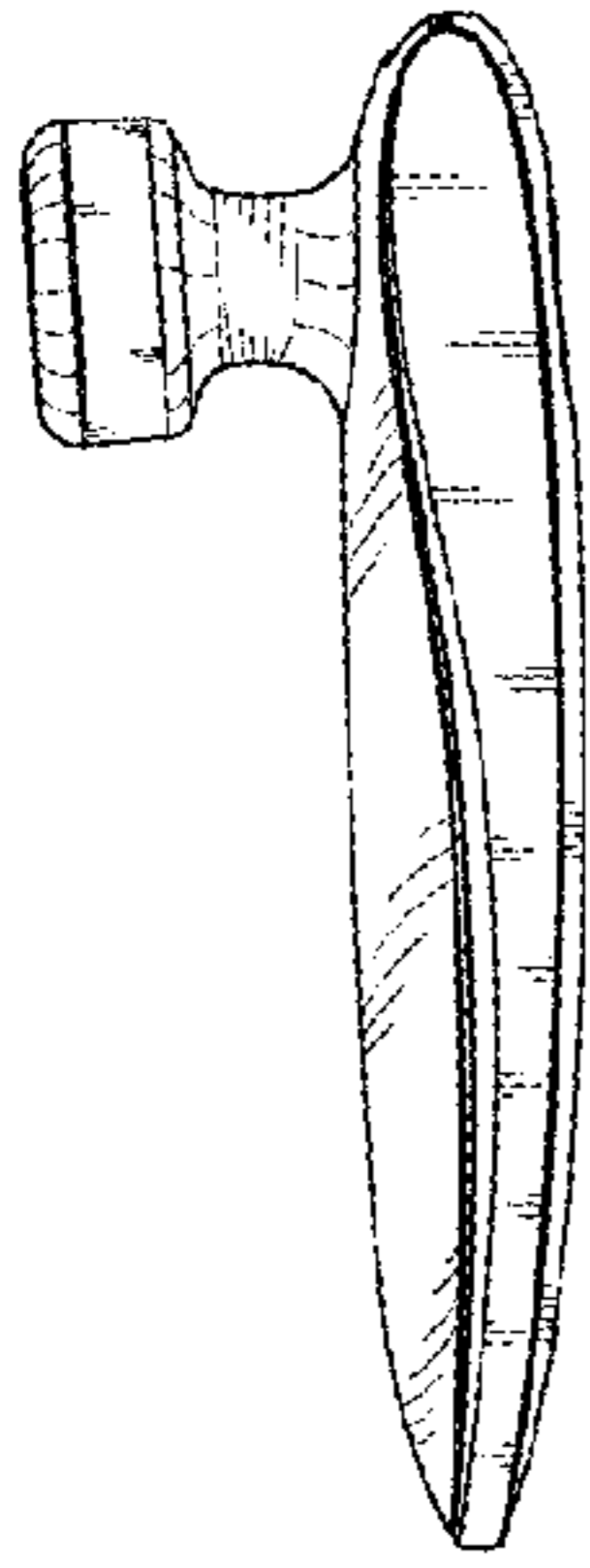


FIG. 3

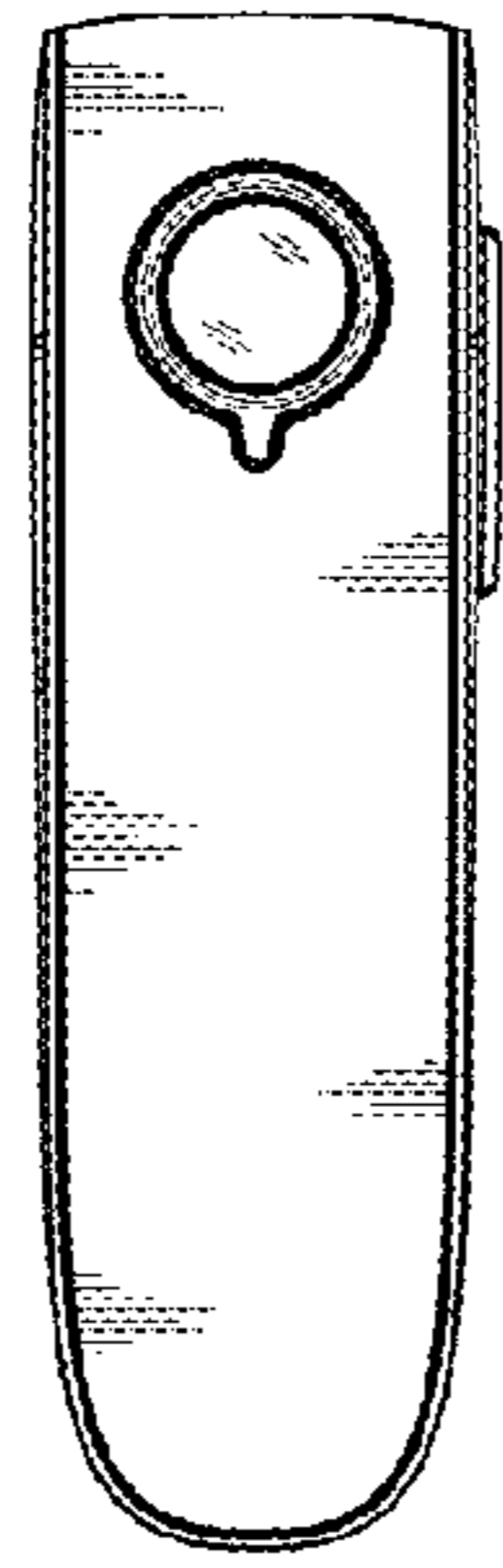


FIG. 1

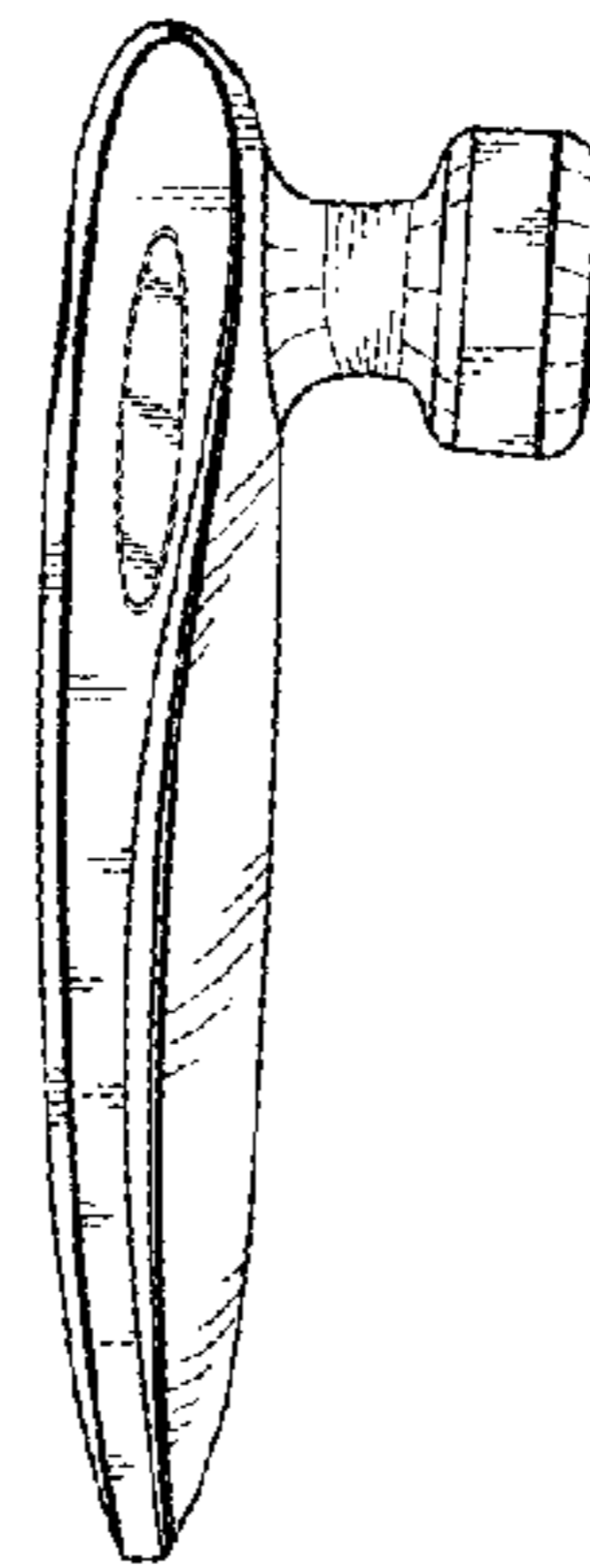


FIG. 4

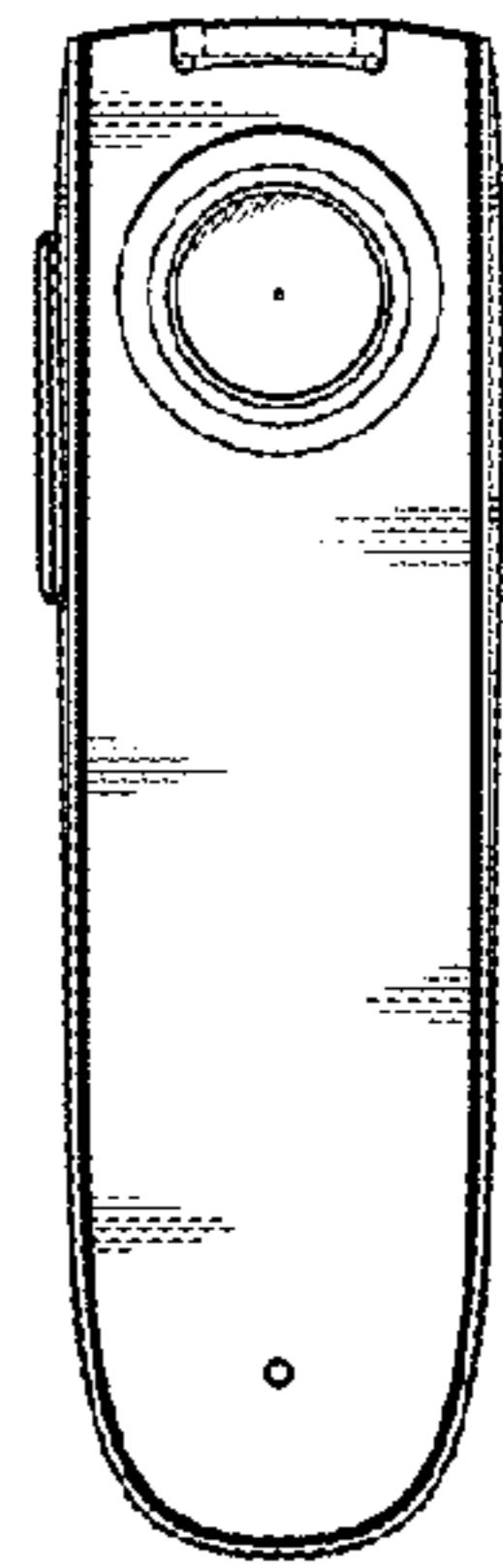


FIG. 2

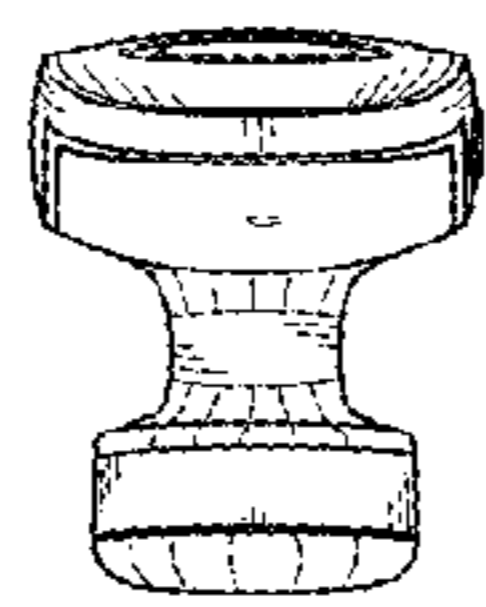


FIG. 6

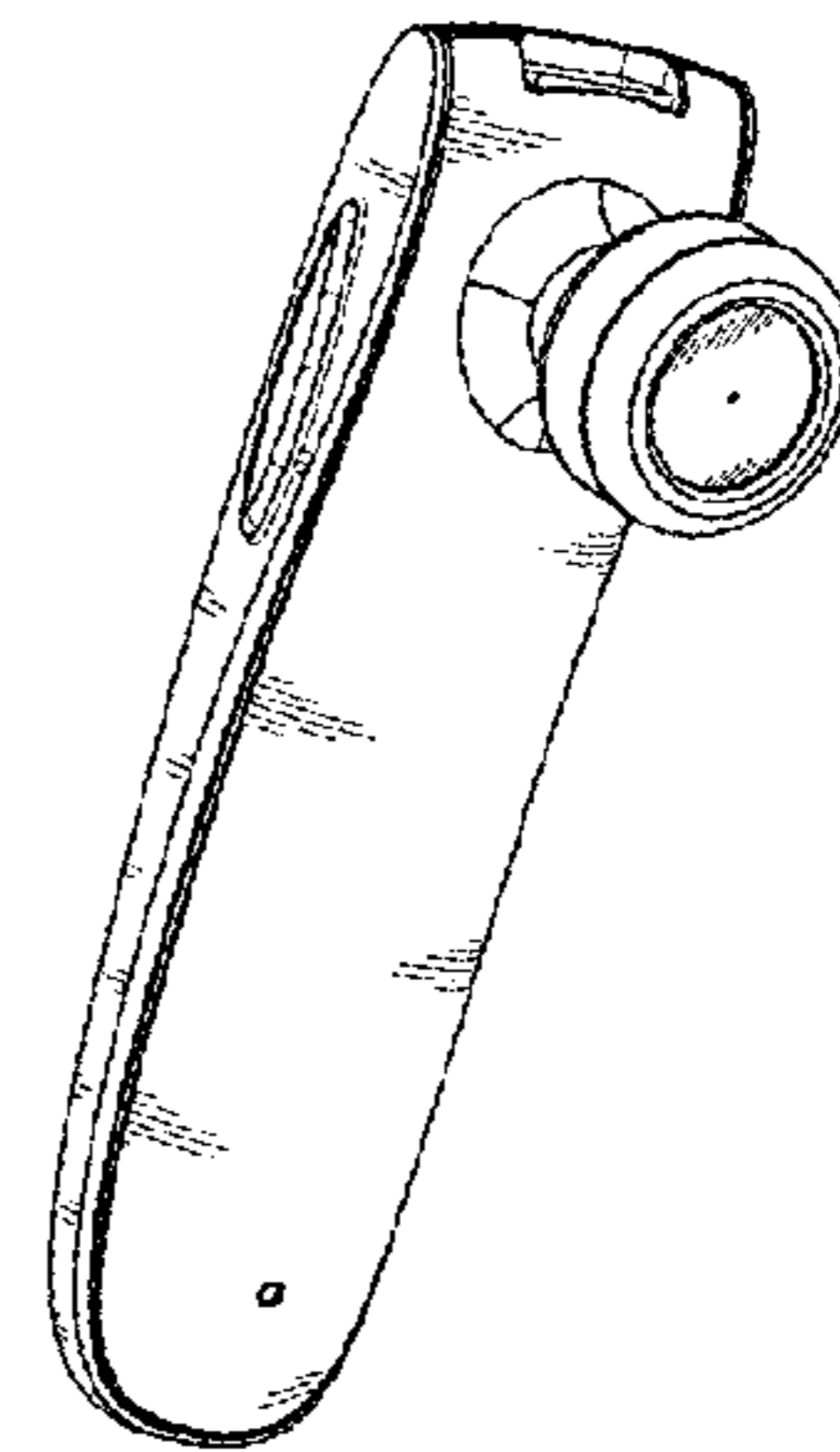


FIG. 7