



US00D801311S

(12) **United States Design Patent** (10) **Patent No.:** **US D801,311 S**
Akana et al. (45) **Date of Patent:** **** Oct. 31, 2017**

(54) **REMOTE CONTROL**

(71) Applicant: **Apple Inc.**, Cupertino, CA (US)

(72) Inventors: **Jody Akana**, San Francisco, CA (US); **Bartley K. Andre**, Palo Alto, CA (US); **Jeremy Bataillou**, San Francisco, CA (US); **Daniel J. Coster**, San Francisco, CA (US); **Daniele De Iuliis**, San Francisco, CA (US); **M. Evans Hankey**, San Francisco, CA (US); **Richard P. Howarth**, San Francisco, CA (US); **Jonathan P. Ive**, San Francisco, CA (US); **Duncan Robert Kerr**, San Francisco, CA (US); **Shin Nishibori**, Kailua, HI (US); **Matthew Dean Rohrbach**, San Francisco, CA (US); **Peter Russell-Clarke**, San Francisco, CA (US); **Christopher J. Stringer**, Woodside, CA (US); **Eugene Antony Whang**, San Francisco, CA (US); **Rico Zörkendörfer**, San Francisco, CA (US)

(73) Assignee: **Apple Inc.**, Cupertino, CA (US)

(**) Term: **15 Years**

(21) Appl. No.: **29/558,753**

(22) Filed: **Mar. 21, 2016**

Related U.S. Application Data

(60) Continuation of application No. 29/489,736, filed on May 2, 2014, now Pat. No. Des. 752,025, which is a continuation of application No. 29/485,556, filed on Mar. 20, 2014, which is a continuation of application No. 29/432,443, filed on Oct. 15, 2012, now Pat. No. Des. 704,167, which is a continuation of application No. 29/404,056, filed on Oct. 14, 2011, now Pat. No. Des. 669,452, which is a continuation of application No. 29/391,544, filed on May 10, 2011, now Pat. No. Des. 649,138, which is a continuation of application No. 29/366,344, filed on Jul. 23, 2010, now Pat. No.

Des. 642,161, which is a division of application No. 29/345,286, filed on Oct. 13, 2009, now Pat. No. Des. 620,456.

(51) **LOC (10) CI.** **14-03**

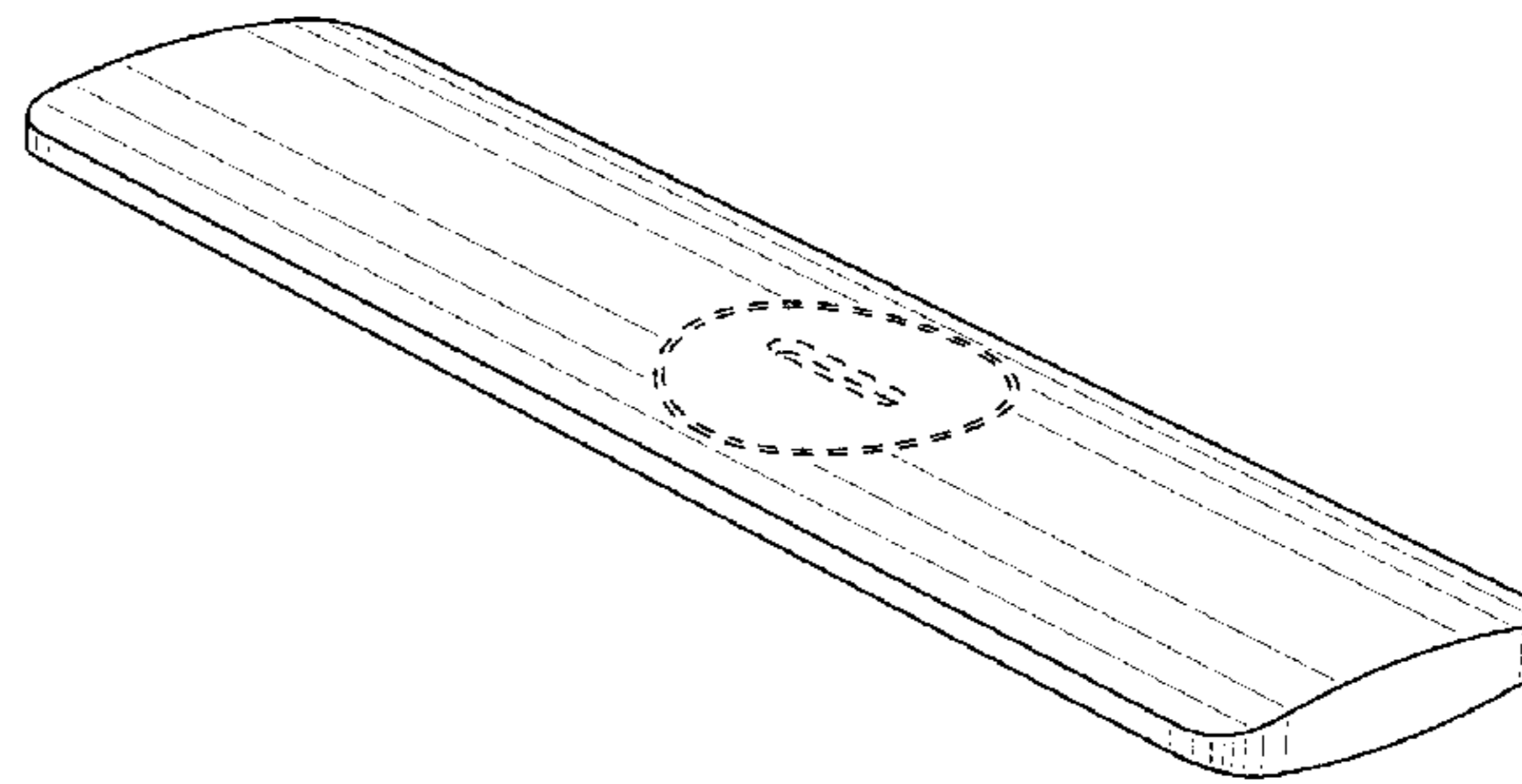
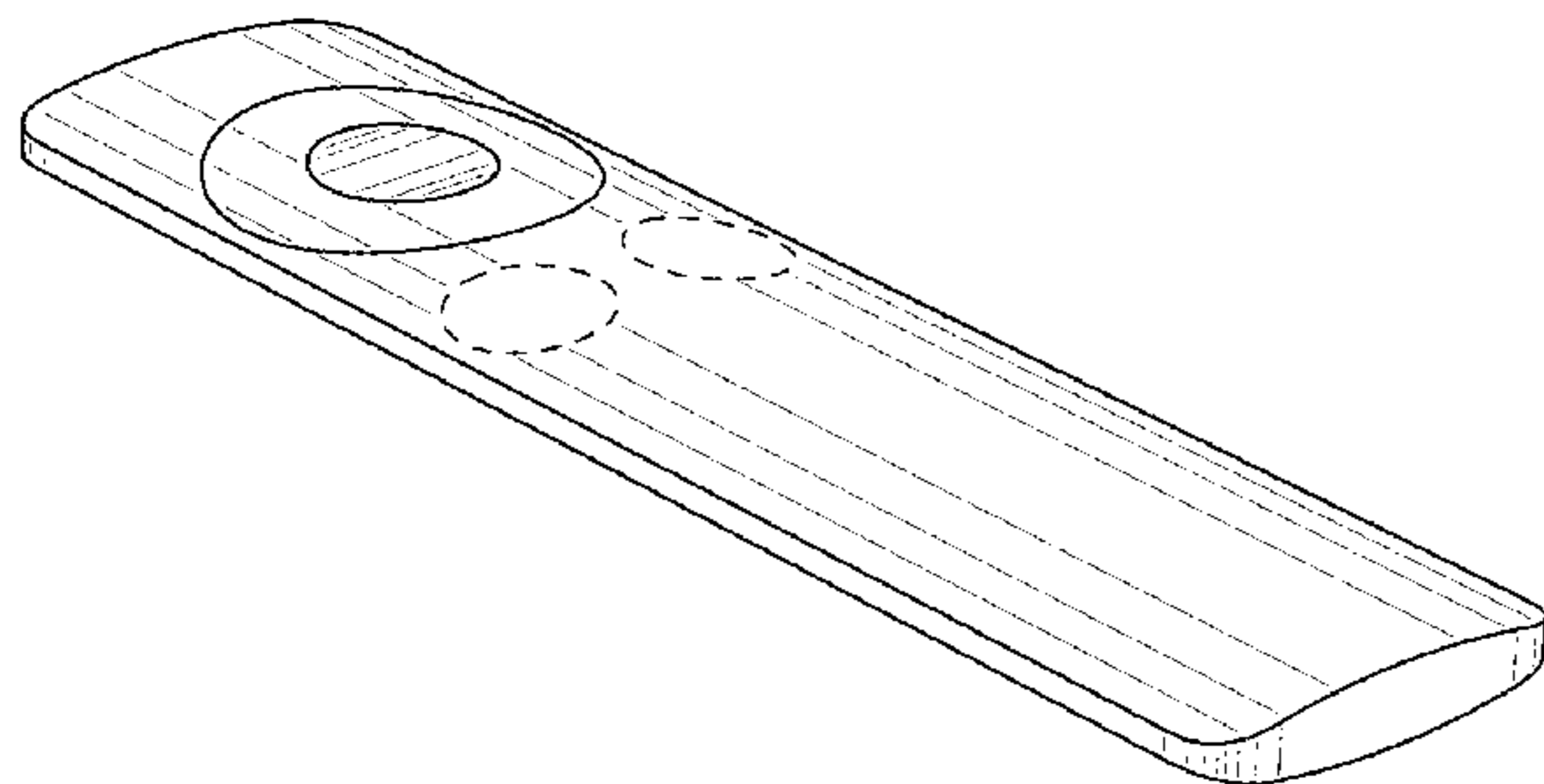
(52) **U.S. CI.**
USPC **D14/218**

(58) **Field of Classification Search**
USPC D14/218; D13/168
CPC . H04N 5/445; H04N 5/44; H04N 7/00; G05B 11/01; G08C 19/00; G06F 3/02
See application file for complete search history.

(56) **References Cited**

U.S. PATENT DOCUMENTS

2,521,423 A	9/1950	Stuck	
D299,922 S	2/1989	Schremmer	
D381,663 S	7/1997	Friis	
D396,860 S	8/1998	Yasutomi	
D433,404 S	11/2000	Thakur	
D475,359 S	6/2003	Hirose	
D477,590 S	7/2003	Ahn	
D496,031 S	9/2004	Ma et al.	
D500,301 S	12/2004	Deguchi	
D500,485 S	1/2005	Deguchi	
D506,476 S	6/2005	Andre et al.	
D509,480 S	9/2005	Li	
D529,044 S	9/2006	Andre et al.	
D531,586 S	11/2006	Poulet	
D533,514 S	* 12/2006	Hidalgo	D13/168
D534,921 S	1/2007	Andre et al.	
D535,261 S	1/2007	Daniels	
D539,814 S	4/2007	Andre et al.	
D547,327 S	7/2007	Kin	
D548,195 S	8/2007	Poulet	
D550,703 S	9/2007	Koizumi	
D550,714 S	9/2007	Ferraboshi	
D551,215 S	9/2007	Lee, Jr. et al.	
D556,154 S	11/2007	Poulet et al.	
D557,666 S	12/2007	Schroter	
D560,230 S	1/2008	Yagi	
D567,801 S	4/2008	Trappler	
D568,338 S	5/2008	Andre et al.	
D568,827 S	5/2008	Ikeda et al.	
D571,305 S	6/2008	Thursfield	
D573,957 S	* 7/2008	Ledbetter	D13/168
D578,168 S	10/2008	Looks et al.	
D580,456 S	11/2008	Oh et al.	
D584,292 S	1/2009	Knight	



D584,718 S	1/2009	Moiler et al.	
D585,077 S	1/2009	Sheba et al.	
D585,876 S	2/2009	Griffin	
D588,611 S	3/2009	Oh et al.	
D589,963 S	4/2009	Sheba et al.	
D592,677 S	5/2009	Sheba et al.	
D595,669 S	7/2009	Endo et al.	
D596,163 S	7/2009	Madonna et al.	
D602,473 S	10/2009	Moller et al.	
D604,713 S	11/2009	Andre et al.	
D604,723 S	11/2009	Bodley et al.	
D605,635 S	12/2009	Edahiro et al.	
D606,519 S	12/2009	Painter	
D608,303 S	1/2010	Klaing et al.	
D608,765 S	1/2010	Tsai et al.	
D609,695 S	2/2010	Cigliano et al.	
D611,433 S	3/2010	Tang et al.	
D620,456 S	7/2010	Akana et al.	
D621,371 S	8/2010	Sheppard et al.	
D622,696 S	8/2010	Akana et al.	
D626,530 S	11/2010	Andre et al.	
D631,851 S	2/2011	Smith et al.	
D633,478 S	3/2011	Bolton	
D645,848 S *	9/2011	Arnholt	D14/218
D647,510 S	10/2011	Maier et al.	
D647,511 S	10/2011	Maier et al.	
D648,285 S	11/2011	Kashimoto	
D649,138 S	11/2011	Akana et al.	
D651,589 S	1/2012	Fischer	
D652,820 S	1/2012	Peh	
D656,488 S	3/2012	Nakayama et al.	
D661,688 S	6/2012	Weitgasser	
D661,689 S	6/2012	Weitgasser	
D673,137 S	12/2012	Maier et al.	
D679,266 S	4/2013	Shin et al.	
D687,815 S	8/2013	Hwangho et al.	
D695,272 S	12/2013	Hansen et al.	
D703,186 S *	4/2014	Zaslavsky	D14/218
D703,188 S	4/2014	Maier et al.	
D703,190 S	4/2014	Zaslavsky et al.	
D704,167 S	5/2014	Akana et al.	
D705,755 S	5/2014	Zaslavsky et al.	
D714,761 S *	10/2014	O'Neil	D14/218
D714,762 S *	10/2014	O'Neil	D14/218
D723,478 S *	3/2015	Turksu	D13/168
D724,547 S *	3/2015	Baldwin	D13/168
D735,166 S *	7/2015	Hansen	D14/218
D742,857 S *	11/2015	Andresen	D14/218
D743,944 S *	11/2015	Karrman	D14/218
D750,047 S *	2/2016	Chang	D14/218
D752,025 S *	3/2016	Akana	D14/218
D752,555 S *	3/2016	Langhammer	D14/218
D756,969 S *	5/2016	Kim	D14/218
D768,605 S *	10/2016	Wong	D14/218
D772,202 S *	11/2016	Choe	D14/218
D777,144 S *	1/2017	McManigal	D14/218
2004/0056985 A1	3/2004	Seong	
2004/0068740 A1	4/2004	Fukuda et al.	
2004/0125078 A1	7/2004	Nishimori et al.	
2004/0224638 A1	11/2004	Fadell et al.	
2005/0024321 A1	2/2005	Tsai	
2005/0030434 A1	2/2005	Sata et al.	
2010/0310914 A1 *	12/2010	Maier	H01H 9/0235 429/97
2011/0316664 A1	12/2011	Olcott et al.	

FOREIGN PATENT DOCUMENTS

CN	302960401	* 10/2014
CN	303287897	* 7/2015
CN	303403788	* 10/2015

JP	D1204966	5/2004
JP	D1219575	10/2004
JP	D1265144	3/2006
JP	D1316309	12/2007
KR	300664068.0000	10/2012

OTHER PUBLICATIONS

Amazon.com: Apple MM4T2AM/A Remote, oldest review Sep. 1, 2016, https://www.amazon.com/Apple-MM4T2AM-Remote-Devices-Silver/dp/B01DN08VAY/ref=cm_cr_ar_p_d_product_top?ie=UTF8, [site visited Feb. 7, 2017 3:22:00 PM].*

Apple Remote—Apple, review date Feb. 26, 2016, <http://www.apple.com/shop/product/MM4T2AM/A/apple-remote>, site visited Feb. 7, 2017.*

Search Report for New Design Patnt [sic] Application. ROC (Taiwan) New Design Patent Application No. 099301163 (Translation). Date of Completion: Sep. 20, 2010.

AnandTech, ASRock CoreHT 2528 Review Sep. 2, 2011, online, <http://www.anandtech.com/show/4713/asrock-corcht-252b-review/3>, [site visited Sep. 30, 2014 9:27:52 PM].

Amazon.com: Apple Remote- Mac, iPod or Iphone, oldest review Dec. 17, 2009, online, http://www.amazon.com/Apple-Remote-iPod-iPhone-MC377LL!dp/B002TPFNXS/ref=sr_1_2?ie=UTF8&qid=1433979813&sr=8-2&keywords=apple+remote, [site visited Jun. 10, 2015 7:44:31 PM].

* cited by examiner

Primary Examiner — John Windmuller
Assistant Examiner — John R Yeh
 (74) *Attorney, Agent, or Firm* — Sterne, Kessler, Goldstein & Fox P.L.L.C.

(57) CLAIM

The ornamental design for a remote control, as shown and described.

DESCRIPTION

FIG. 1 is a bottom front perspective view of a remote control showing our new design;
 FIG. 2 is a bottom rear perspective view thereof;
 FIG. 3 is top front perspective view thereof;
 FIG. 4 is top rear perspective view thereof;
 FIG. 5 is a front view thereof;
 FIG. 6 is a rear view thereof;
 FIG. 7 is a left side view thereof;
 FIG. 8 is right side view thereof;
 FIG. 9 is a top view thereof; and,
 FIG. 10 is a bottom view thereof.

The broken lines in the figures show portions of the remote control that form no part of the claimed design.
 The shade lines in the figures show contour and not surface ornamentation.

1 Claim, 4 Drawing Sheets

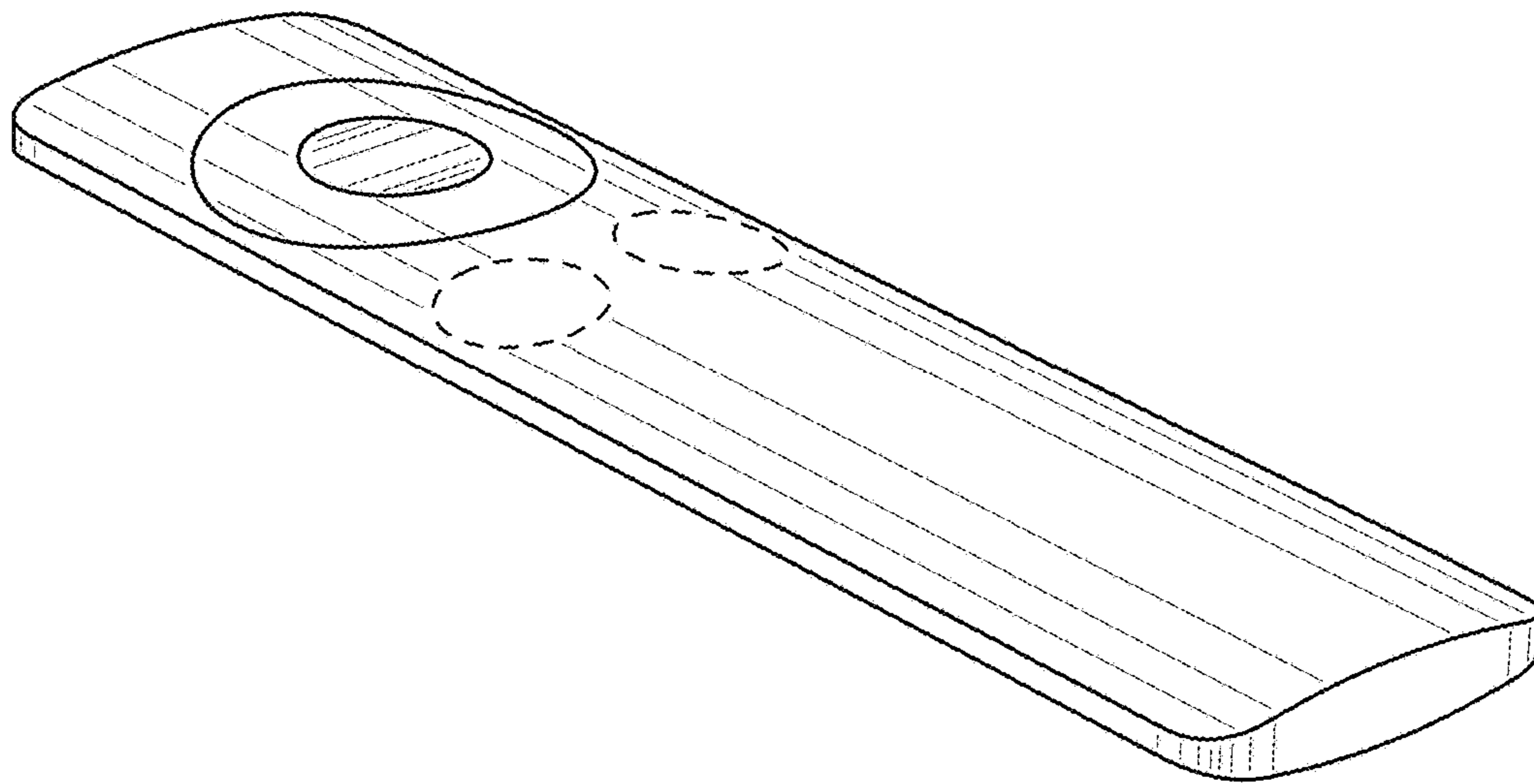


FIG. 1

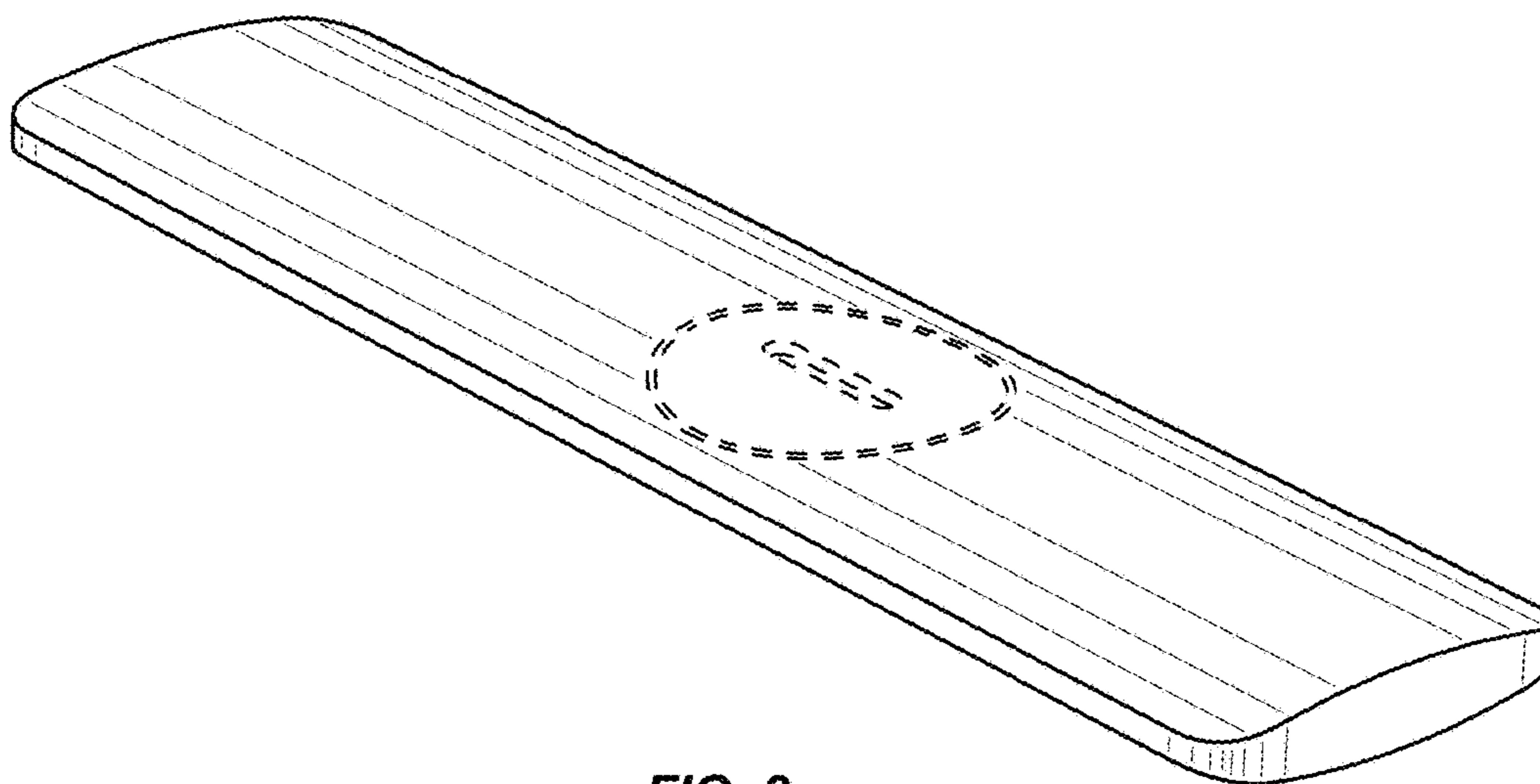


FIG. 2

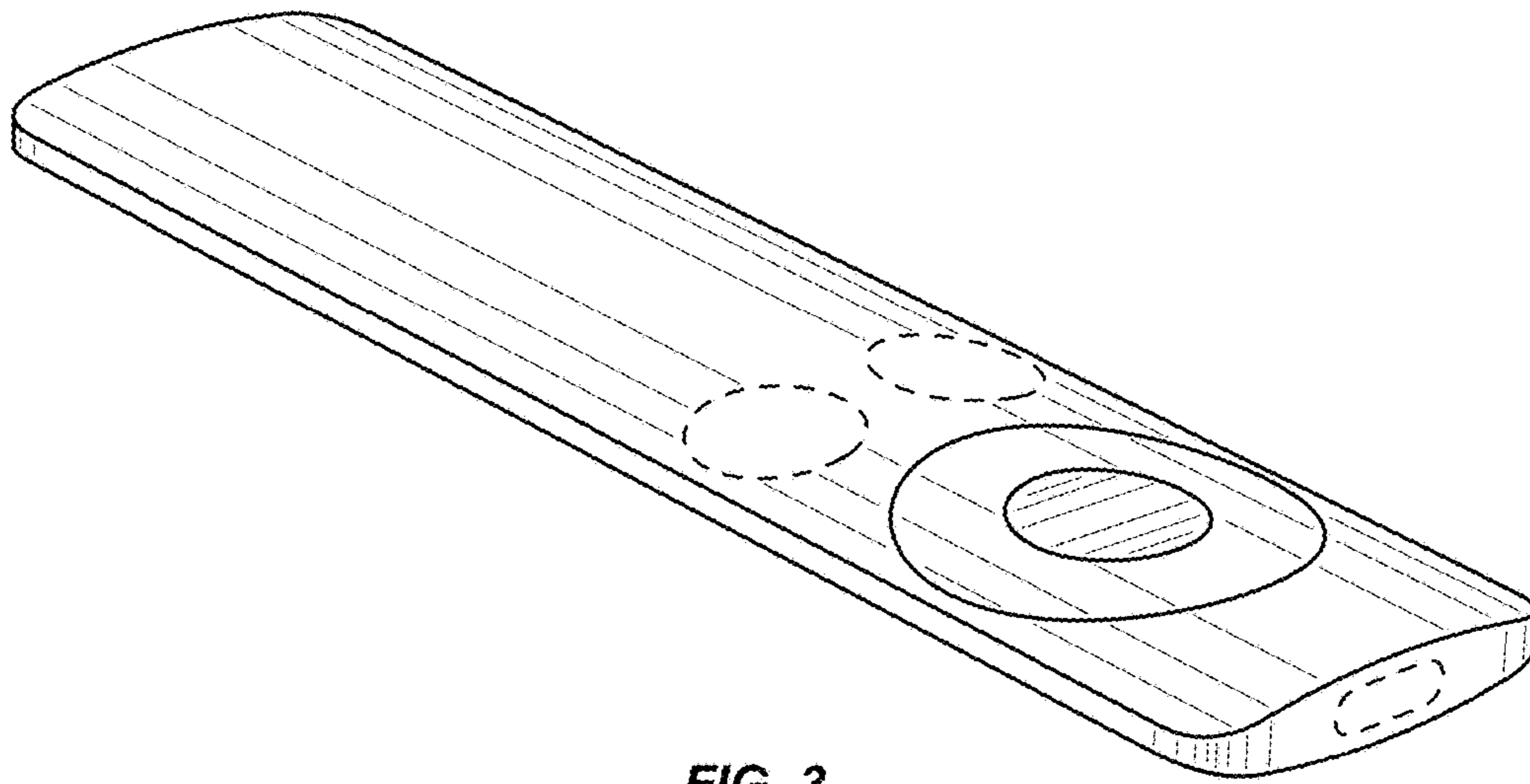


FIG. 3

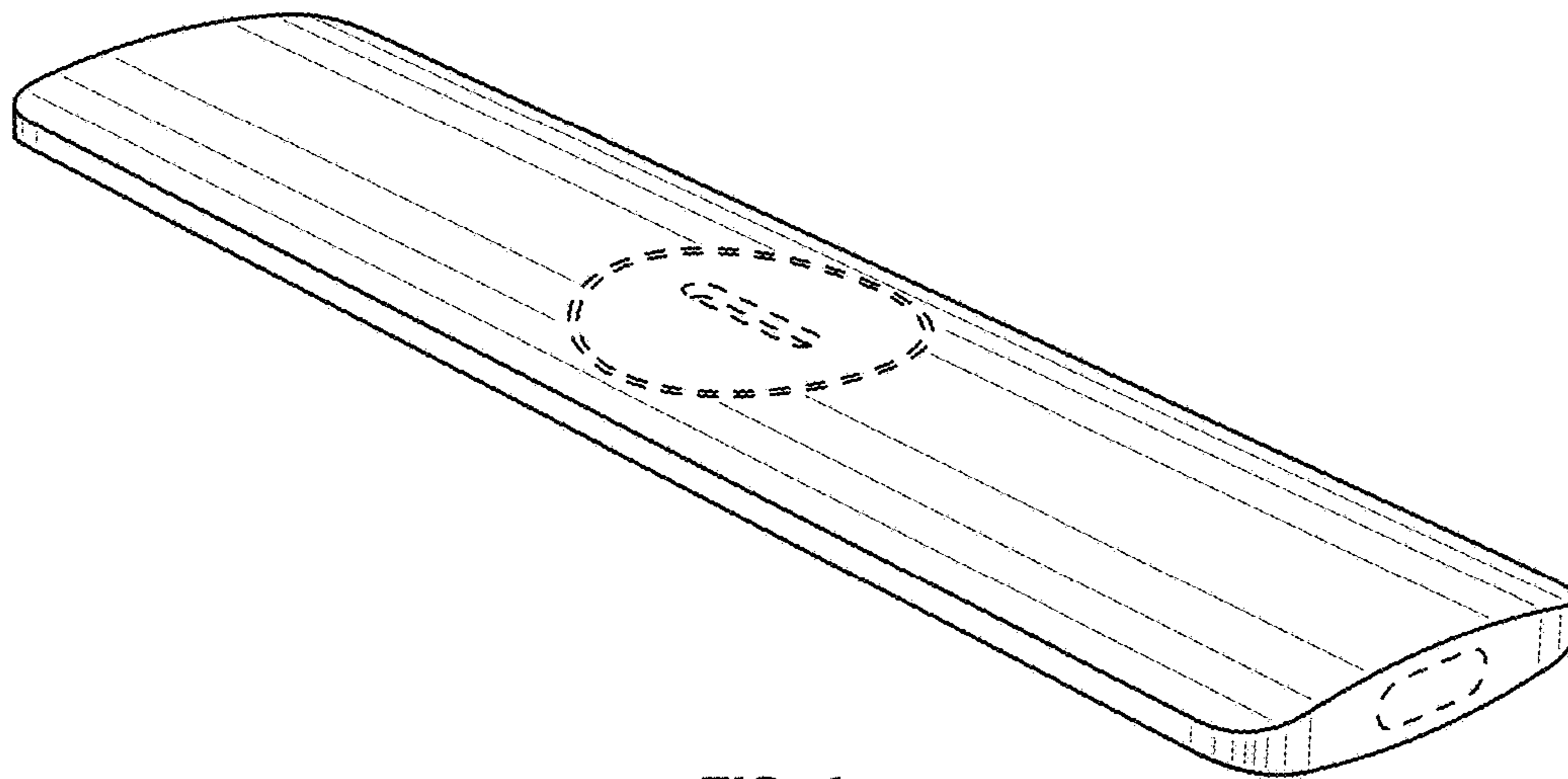


FIG. 4

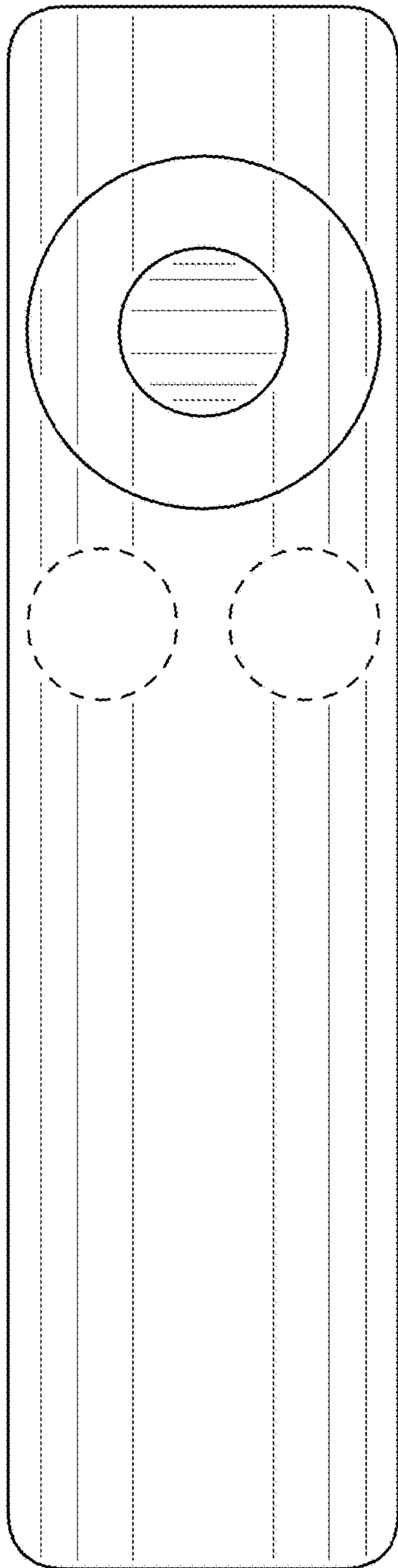


FIG. 5

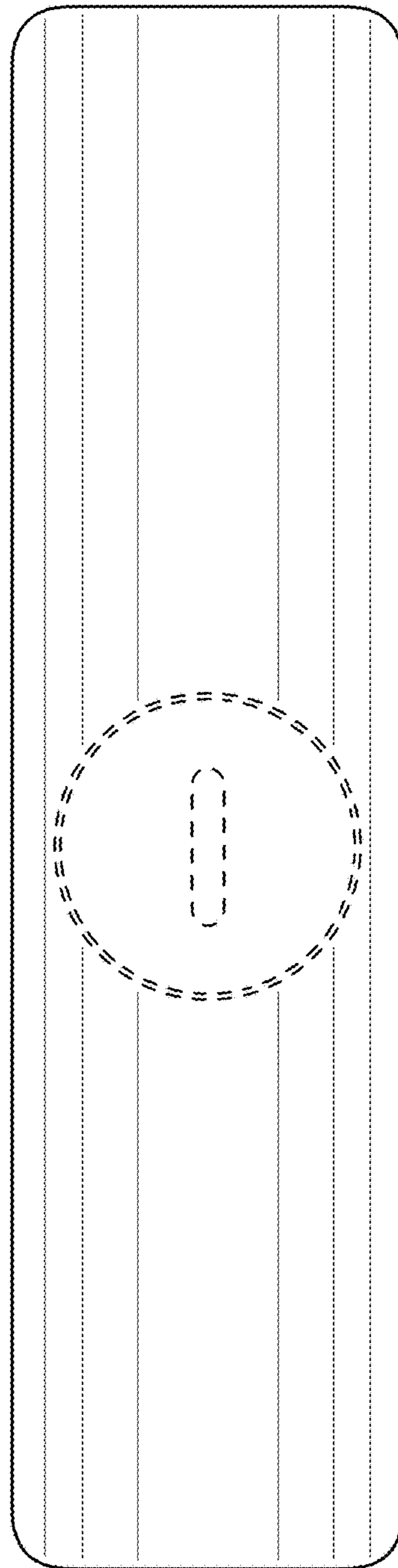


FIG. 6

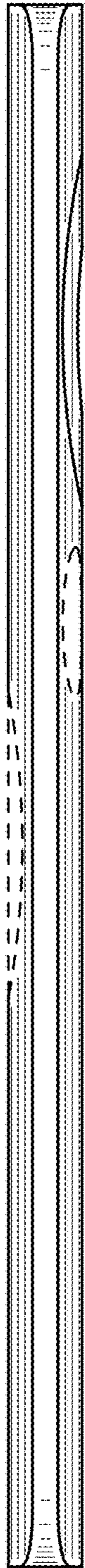


FIG. 7

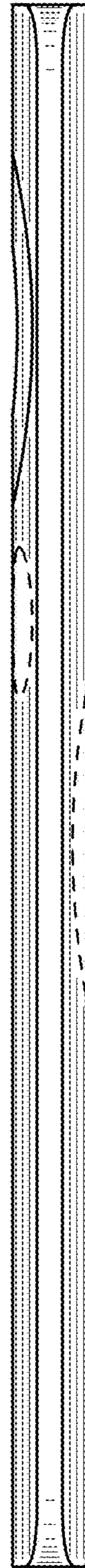


FIG. 8



FIG. 9



FIG. 10