



US00D801310S

(12) **United States Design Patent** (10) **Patent No.:** **US D801,310 S**
Kachwalla et al. (45) **Date of Patent:** **** Oct. 31, 2017**

- (54) **AUDIO COMPONENT**
- (71) Applicant: **Harman International Industries, Incorporated**, Northridge, CA (US)
- (72) Inventors: **Irfan Kachwalla**, Hong Kong (CN); **Joshua Fischer**, Shenzhen (CN)
- (73) Assignee: **Harman International Industries, Incorporated**, Northridge, CA (US)
- (**) Term: **15 Years**
- (21) Appl. No.: **29/553,614**
- (22) Filed: **Feb. 3, 2016**

- 4,756,382 A * 7/1988 Hudson, III H04R 1/227
181/141
- D316,550 S * 4/1991 Sogabe D14/168
- 5,191,177 A * 3/1993 Chi B60R 11/0217
181/153
- D344,522 S * 2/1994 Taniguchi D14/205
- D344,951 S * 3/1994 Christie D14/216
- D375,746 S * 11/1996 Wu D14/215
- 5,674,076 A * 10/1997 Billings G10H 1/34
381/345
- D396,860 S * 8/1998 Yasutomi D10/119.2
- D448,361 S * 9/2001 Bergfeldt D14/225
- D496,351 S * 9/2004 Allen D14/211
- D501,845 S * 2/2005 Allen D14/216
- D519,491 S * 4/2006 Allen D14/212
- D533,869 S * 12/2006 Drambarean D14/225
- D555,636 S * 11/2007 Chen D14/216
- D571,359 S * 6/2008 Chang D14/216
- D578,508 S * 10/2008 Wang D14/206

(Continued)

Related U.S. Application Data

- (63) Continuation of application No. 29/538,502, filed on Sep. 3, 2015, now abandoned.
- (51) **LOC (10) Cl.** **14-01**
- (52) **U.S. Cl.**
USPC **D14/216; D14/224.1; D14/209.1**
- (58) **Field of Classification Search**
USPC ... **D14/205, 204, 209.1, 211, 212, 213, 215, D14/216, 218, 221, 224.1, 192, 171, 168; 381/303, 306, 332, 333, 336, 345, 361, 381/362, 363, 364, 381, 386, 387, 388, 381/380, 334**
CPC . **H04R 1/02; H04R 9/06; H04R 25/00; H05K 5/00; H04M 1/00**
See application file for complete search history.

Primary Examiner — Paula Greene

(74) *Attorney, Agent, or Firm* — Plumsea Law Group, LLC

(57) **CLAIM**

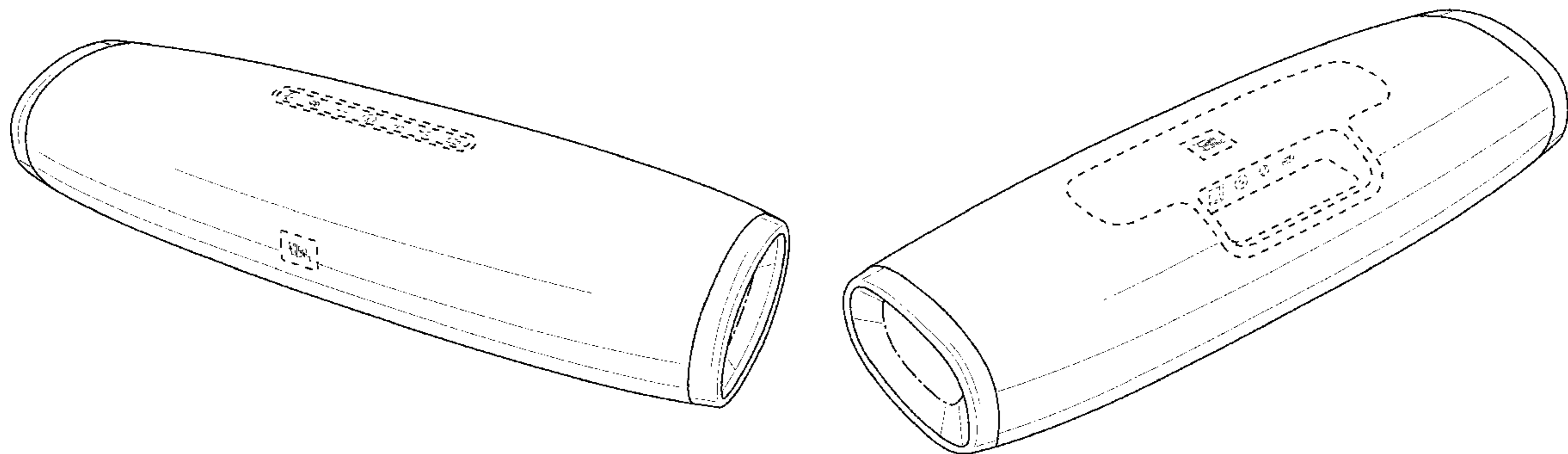
The ornamental design for an audio component, as shown and described.

DESCRIPTION

FIG. 1 is a top perspective view of an audio component showing my new design;
 FIG. 2 is a bottom perspective view thereof;
 FIG. 3 is a front elevation view thereof;
 FIG. 4 is a top plan view thereof;
 FIG. 5 is a side elevation view of one side thereof; and,
 FIG. 6 is a side elevation view of the opposite side thereof.
 The evenly spaced broken line portions show unclaimed subject matter only and form no part of the claimed design. The dot-dash broken line portions show the boundary between the claimed portion and unclaimed portions only and form no part of the claimed design.

1 Claim, 5 Drawing Sheets

- (56) **References Cited**
U.S. PATENT DOCUMENTS
2,120,469 A * 6/1938 Kyle H01R 4/52
439/787
D220,723 S * 5/1971 Abbo D14/197
D230,280 S * 2/1974 Nygard D24/174



(56)

References Cited

U.S. PATENT DOCUMENTS

D582,354	S *	12/2008	Andre	D13/158
D589,028	S *	3/2009	Haapapuro	D14/206
D597,071	S *	7/2009	Andre	D14/206
7,920,902	B2 *	4/2011	Carroll	H04M 1/6066 381/74
8,456,864	B2 *	6/2013	Stiehl	H01H 9/0228 361/605
D687,810	S *	8/2013	Son	D14/210
D698,750	S *	2/2014	Yoon	D14/205
D706,743	S *	6/2014	Lukic	D14/204
D712,371	S *	9/2014	Henning	D14/205
D715,254	S *	10/2014	Lee	D14/205
8,917,560	B1 *	12/2014	Chen	G11C 11/4094 365/154
D725,076	S *	3/2015	Wong	D14/216
D726,684	S *	4/2015	Schmiedbauer	D14/210
D726,686	S *	4/2015	Yoon	D14/216
D750,597	S *	3/2016	Fischer	D14/216
D758,353	S *	6/2016	Akana	D14/218
D759,632	S *	6/2016	Fischer	D14/204
D777,138	S *	1/2017	Fletcher	D14/205
2008/0166003	A1 *	7/2008	Hankey	H01H 9/0228 381/370

* cited by examiner

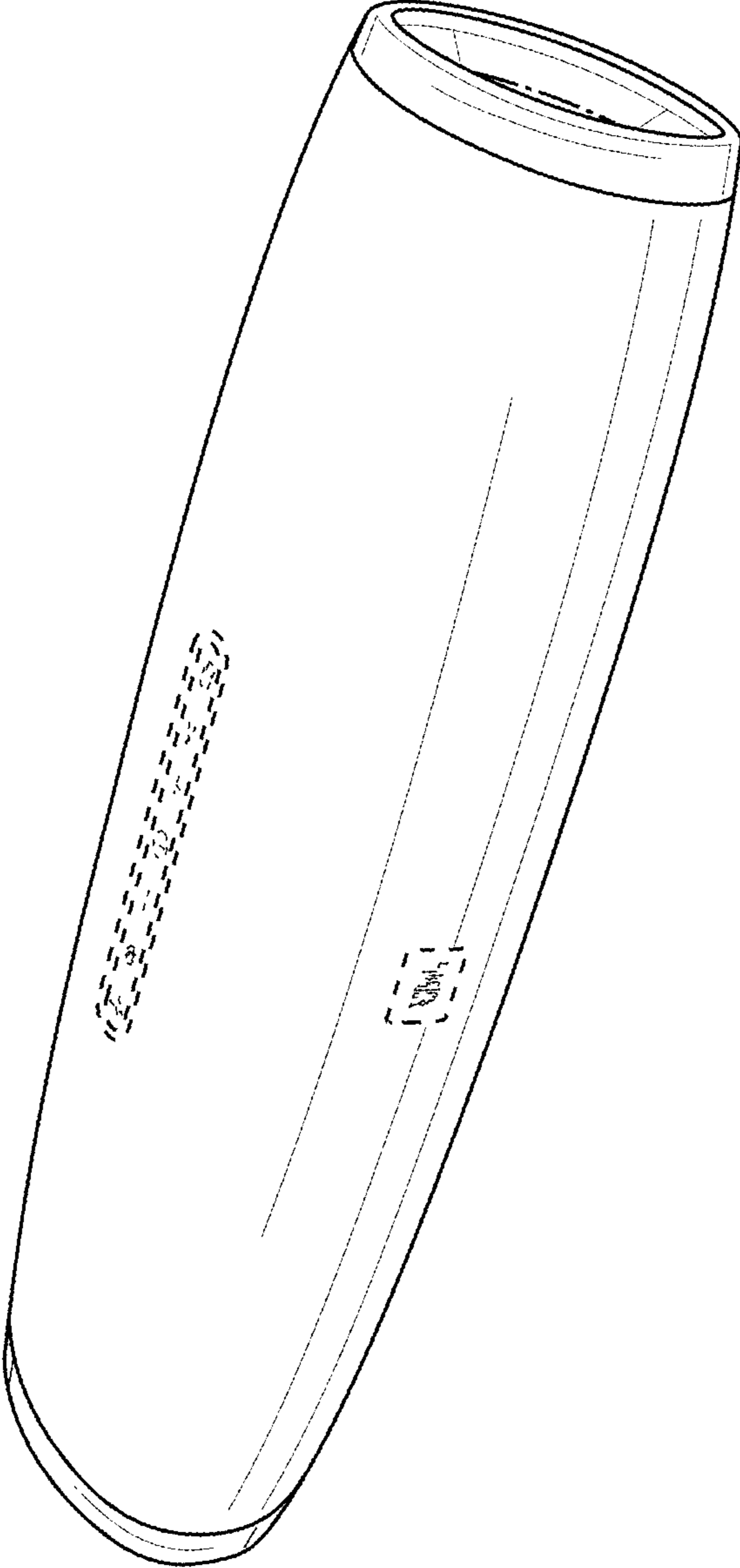


FIG. 1

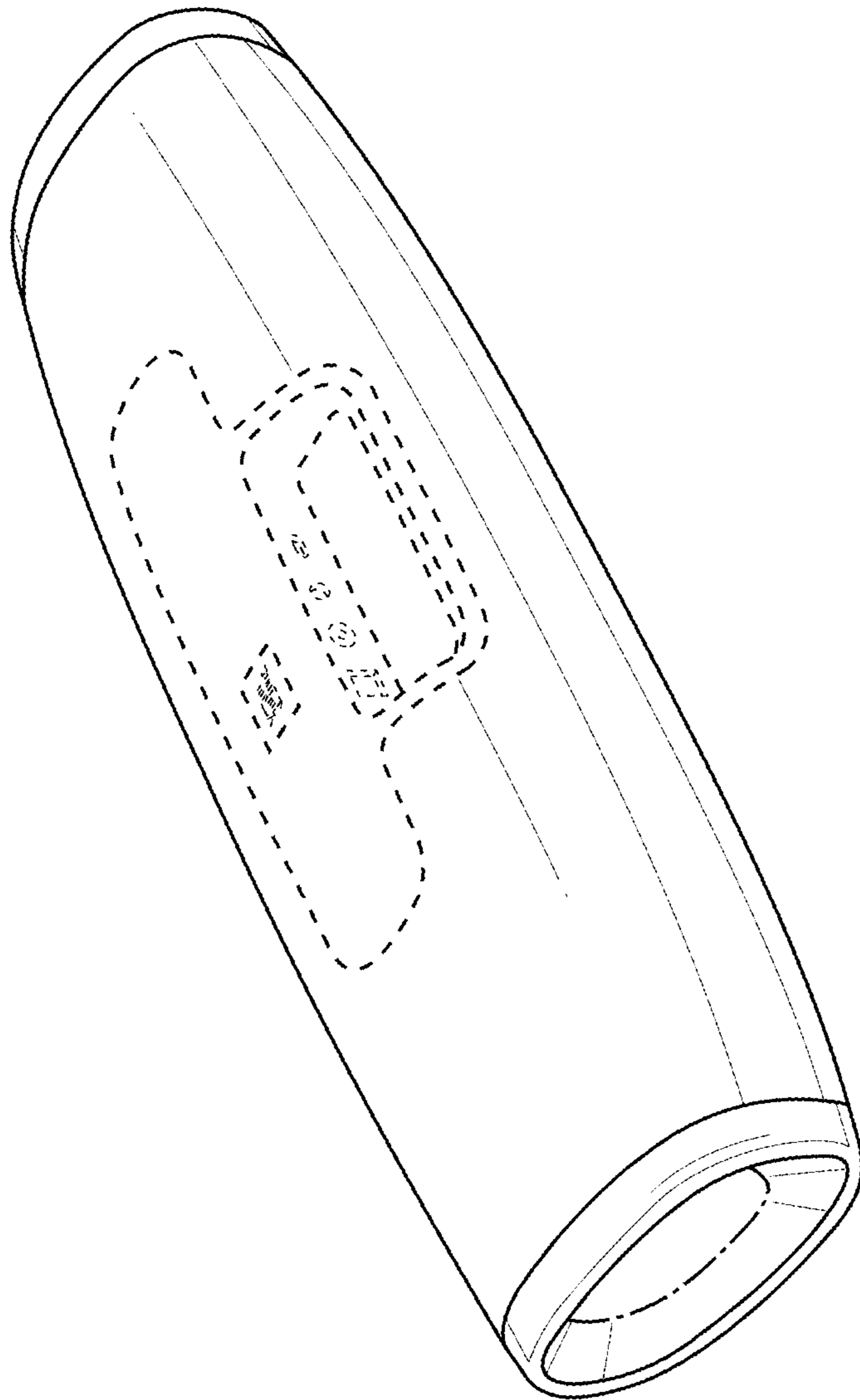


FIG. 2

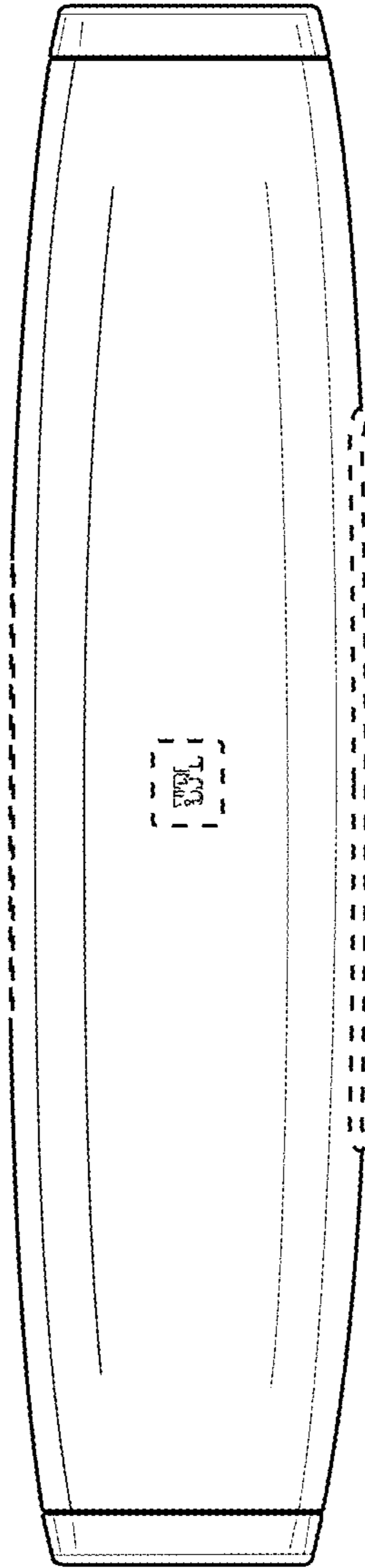


FIG. 3

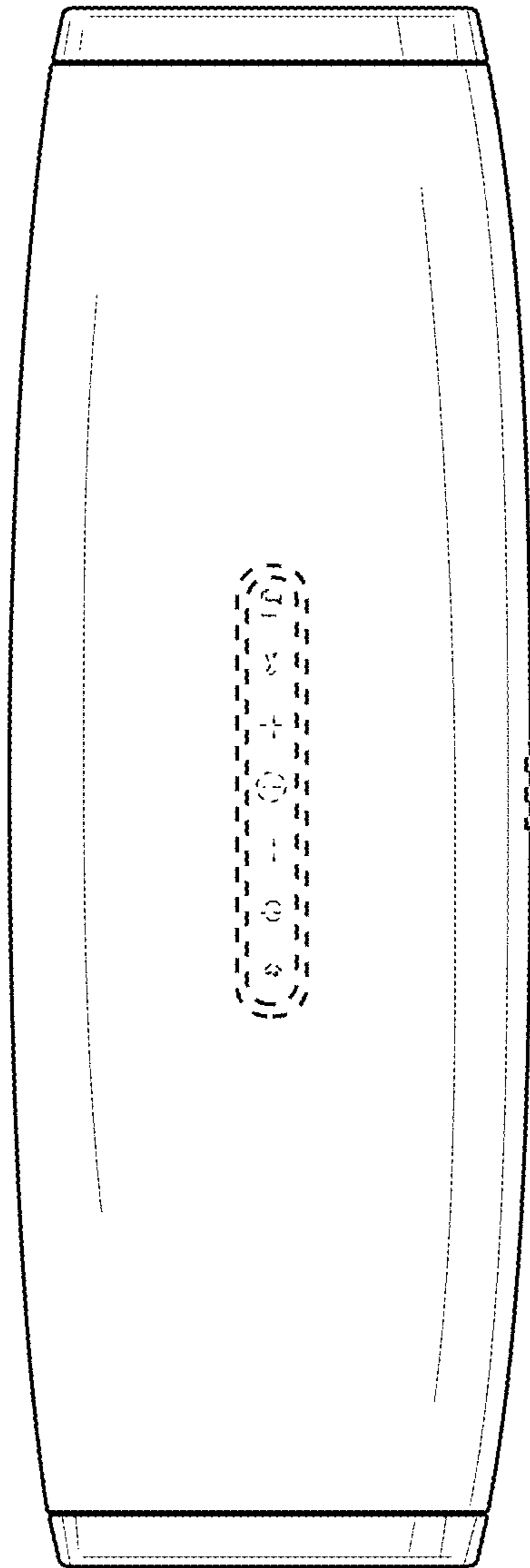


FIG. 4

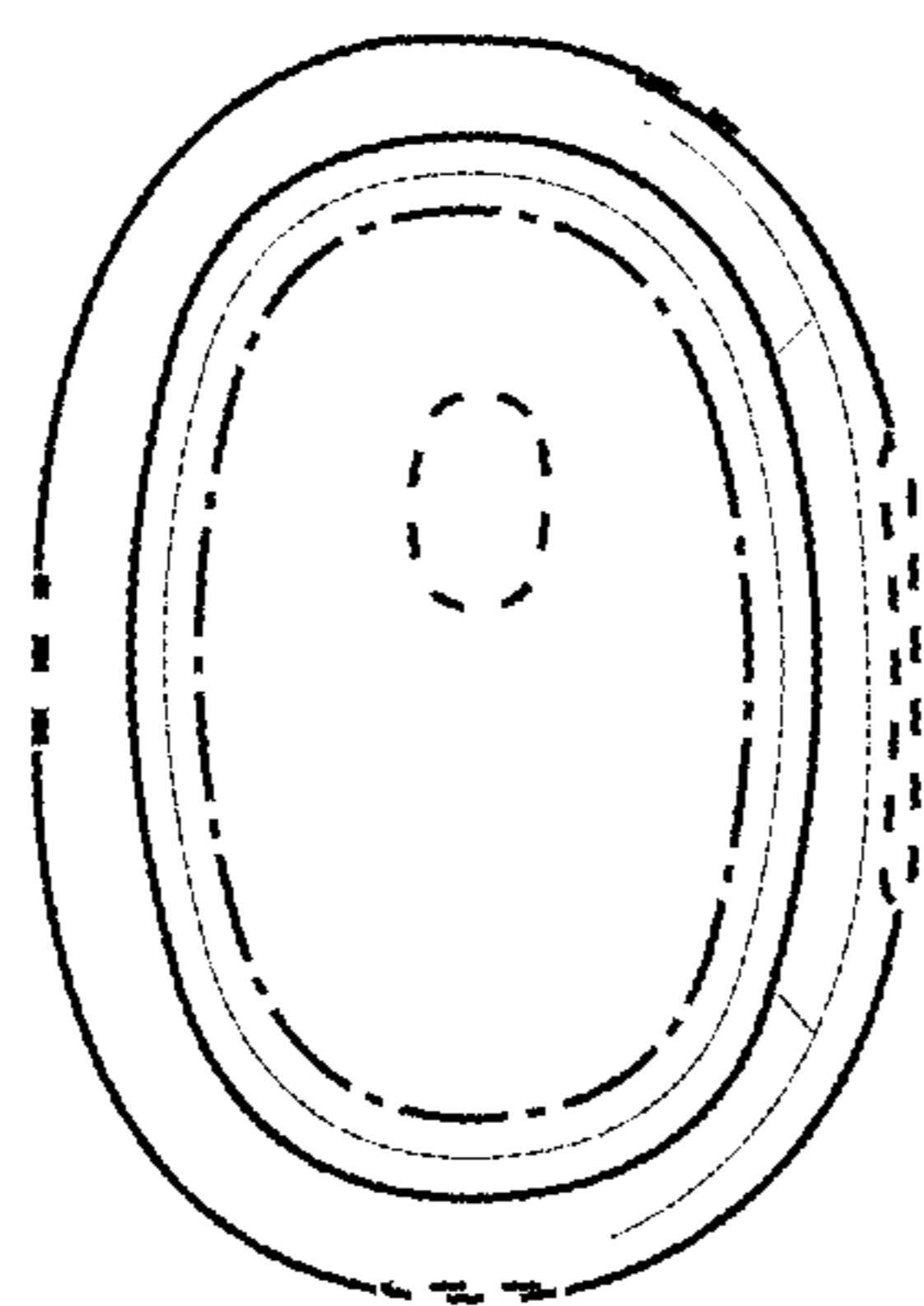


FIG. 5

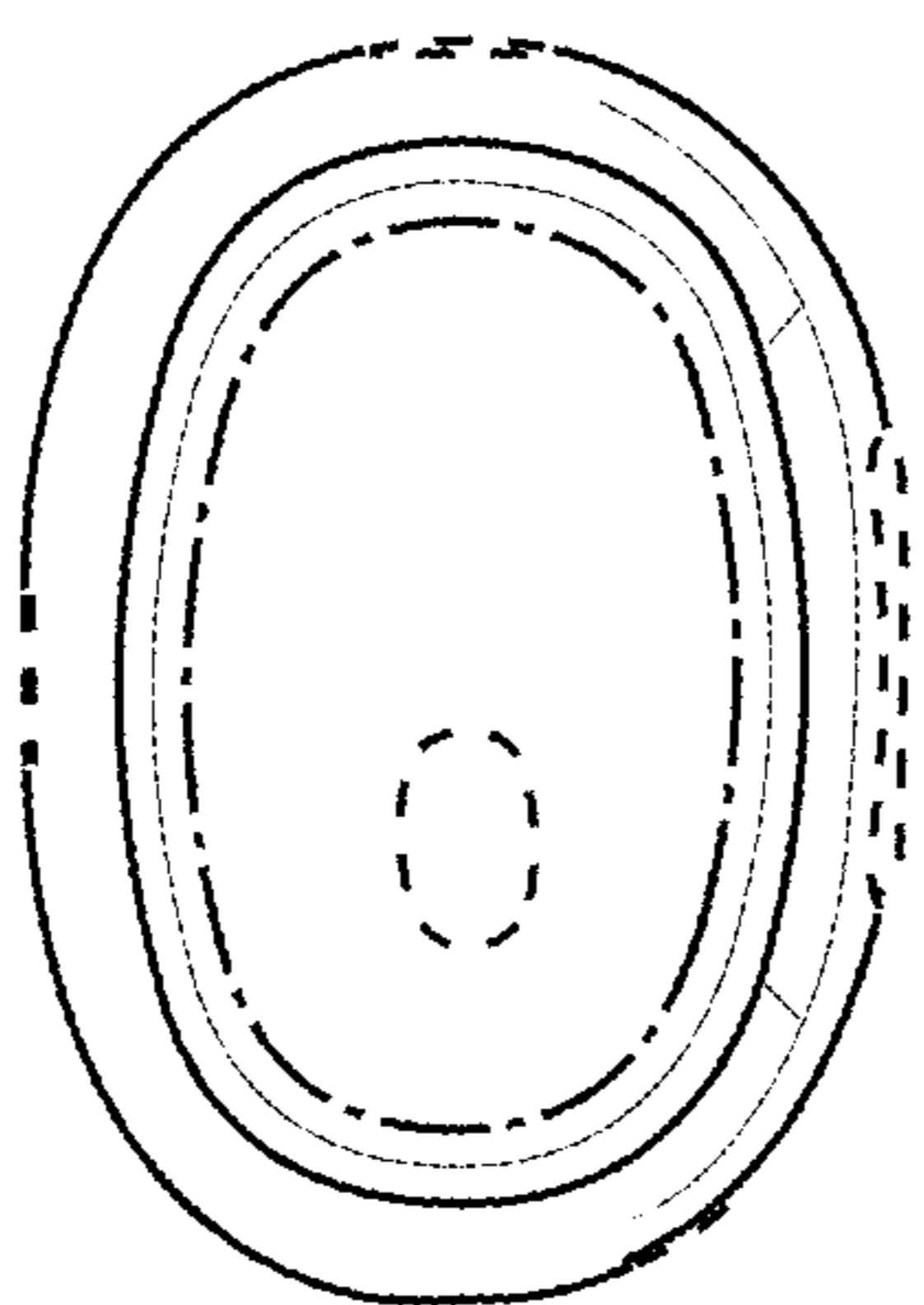


FIG. 6