



US00D801307S

(12) **United States Design Patent**
Kim et al.

(10) **Patent No.:** **US D801,307 S**

(45) **Date of Patent:** **** Oct. 31, 2017**

(54) **SPEAKER**

(71) Applicant: **Samsung Electronics Co., Ltd.**,
Suwon-si, Gyeonggi-do (KR)

(72) Inventors: **Jinwook Kim**, Yongin-si (KR); **Inshik Kim**, Seongnam-si (KR); **Daekyung Ahn**, Namyangju-si (KR); **Sangmin Hyun**, Seoul (KR)

(73) Assignee: **SAMSUNG ELECTRONICS CO., LTD.**, Suwon-si (KR)

(**) Term: **15 Years**

(21) Appl. No.: **29/540,594**

(22) Filed: **Sep. 25, 2015**

(30) **Foreign Application Priority Data**

Mar. 26, 2015 (KR) 30-2015-0015420

(51) **LOC (10) Cl.** **14-03**

(52) **U.S. Cl.**
USPC **D14/216**

(58) **Field of Classification Search**

USPC D14/167, 168, 170–172, 188, 194–196, D14/204, 207, 209.1, 210–216, 219, 221, D14/222, 224, 239, 496; 181/143, 144, 181/147, 148, 150, 153, 157, 198, 199; 381/300–303, 306, 332, 333, 336, 345, 381/361–364, 386–388; 369/6–12
CPC B60R 11/0217; G06F 1/1688; G10K 9/22; G10K 11/004; H03F 1/327; H04M 1/03; H04M 1/035; H04N 5/642; H04N 21/4852; H04R 1/02; H04R 1/06; H04R 1/021; H04R 1/025; H04R 1/026; H04R 1/028; H04R 1/105; H04R 1/323; H04R 1/403; H04R 1/2803; H04R 1/2834; H04R 5/02; H04R 7/20; H04R 9/06; H04R 9/025; H04R 2201/021; H04R 2400/00; H04R 2400/07; H04R 2499/11; H04R 2499/13; H04R 2499/15; H04S 3/00; H04S 7/30

See application file for complete search history.

(56) **References Cited**

U.S. PATENT DOCUMENTS

D222,072 S * 9/1971 Levitt D14/211
D430,142 S * 8/2000 Kuo D14/211

(Continued)

FOREIGN PATENT DOCUMENTS

CN 302599259 S 10/2013
KR 30-0519019 3/2010

OTHER PUBLICATIONS

New Atlas—Review: Black Diamond III Bluetooth Speaker, dated Mar. 18, 2013 [online], [site visited Jun. 12, 2017]. Available from internet, URL: <<http://newatlas.com/yantouch-acase-black-diamond-3-bluetooth-speaker/26696/>>.*

(Continued)

Primary Examiner — Keli L Hill

(74) *Attorney, Agent, or Firm* — Ladas & Parry LLP

(57) **CLAIM**

We claim the ornamental design for a speaker, as shown and described.

DESCRIPTION

FIG. 1 is a perspective view of a speaker showing our new design.

FIG. 2 is a front view thereof;

FIG. 3 is a rear view thereof;

FIG. 4 is a left-side view thereof;

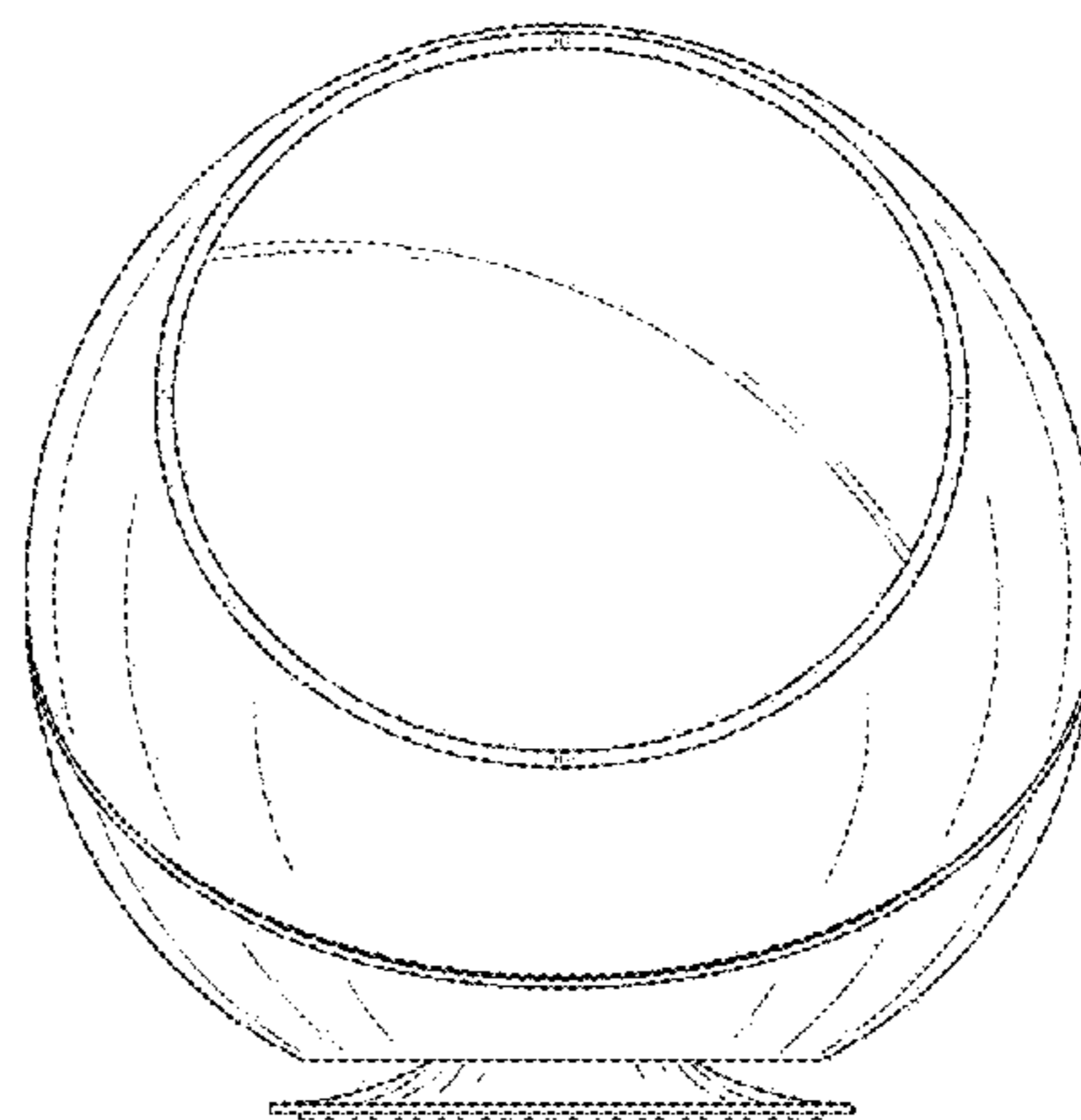
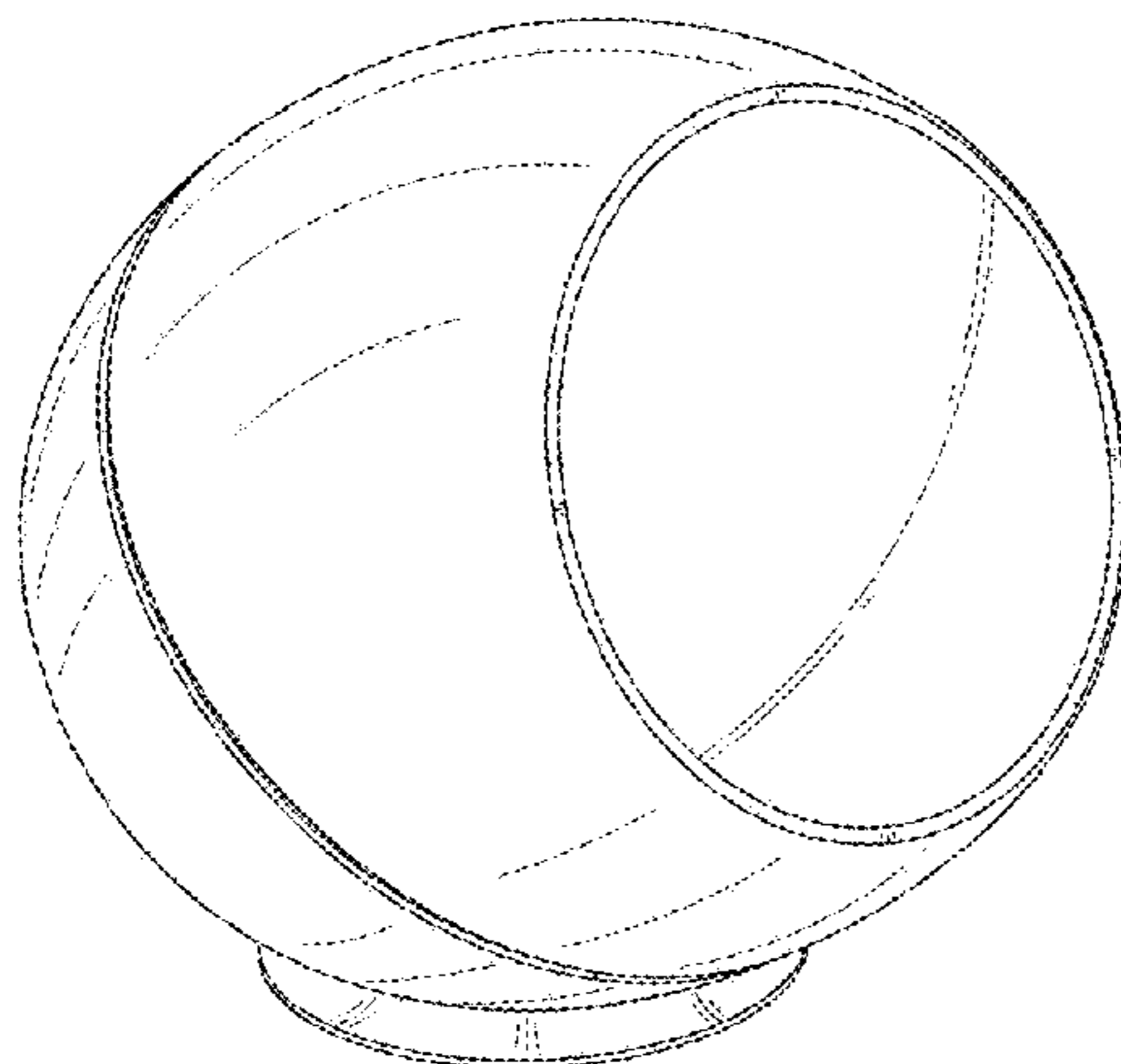
FIG. 5 is a right-side view thereof;

FIG. 6 is a top view thereof; and,

FIG. 7 is a bottom view thereof.

The broken lines illustrating portions of the speaker are for environmental purposes only and form no part of the claimed design.

1 Claim, 7 Drawing Sheets



(56)

References Cited

U.S. PATENT DOCUMENTS

D440,557 S *	4/2001	Su	D14/215
D645,846 S *	9/2011	Mordechai	D14/216
D659,680 S *	5/2012	Kim	D14/216
D693,814 S *	11/2013	Park	D14/434
D756,326 S *	5/2016	Holzer	D14/171
D765,617 S *	9/2016	Mackiewicz	D14/216
D766,215 S *	9/2016	Mackiewicz	D14/216

OTHER PUBLICATIONS

KR Design Registration No. 30-0519019 English translation.

CN Design Registration No. CN302599259S English translation.

* cited by examiner

FIG. 1

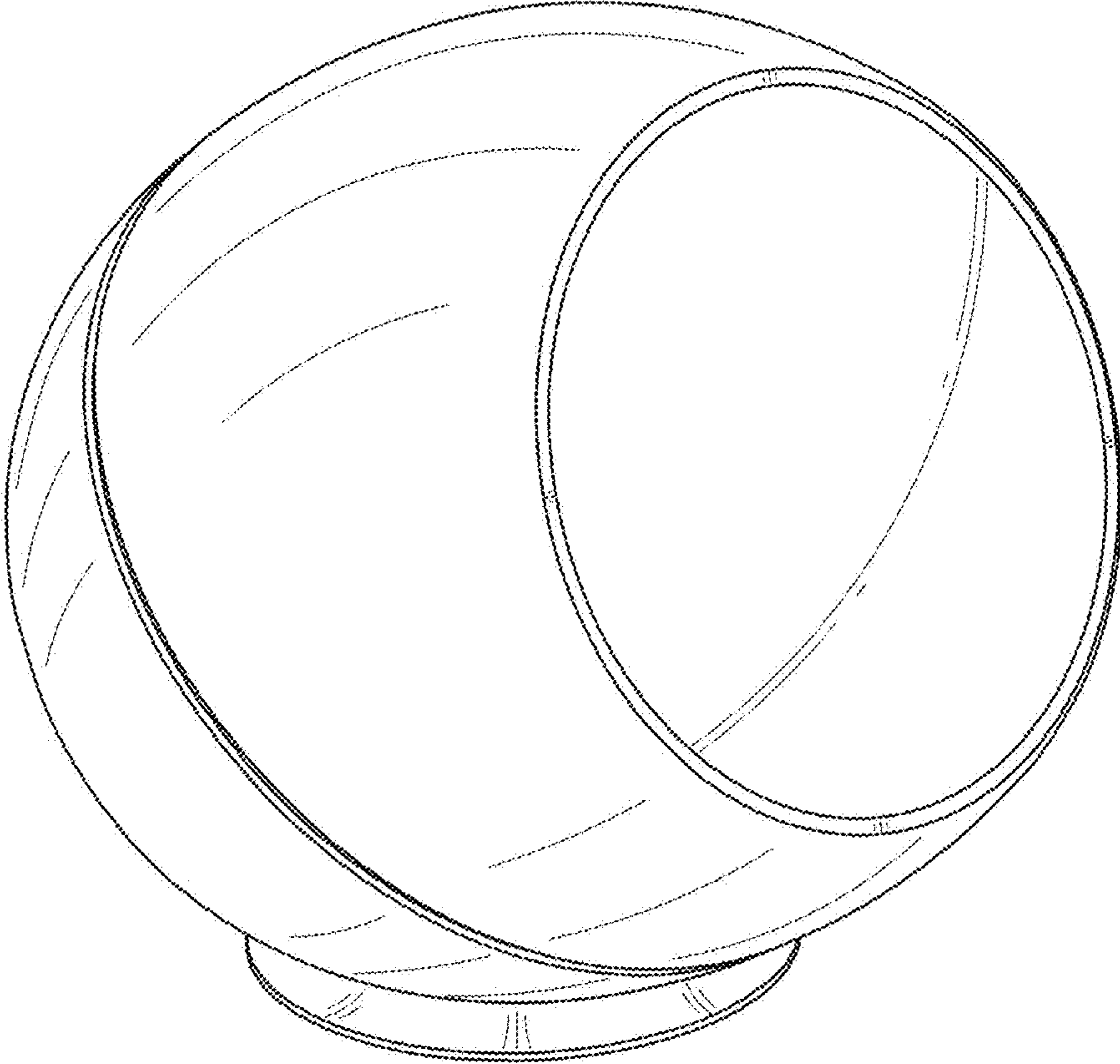


FIG. 2

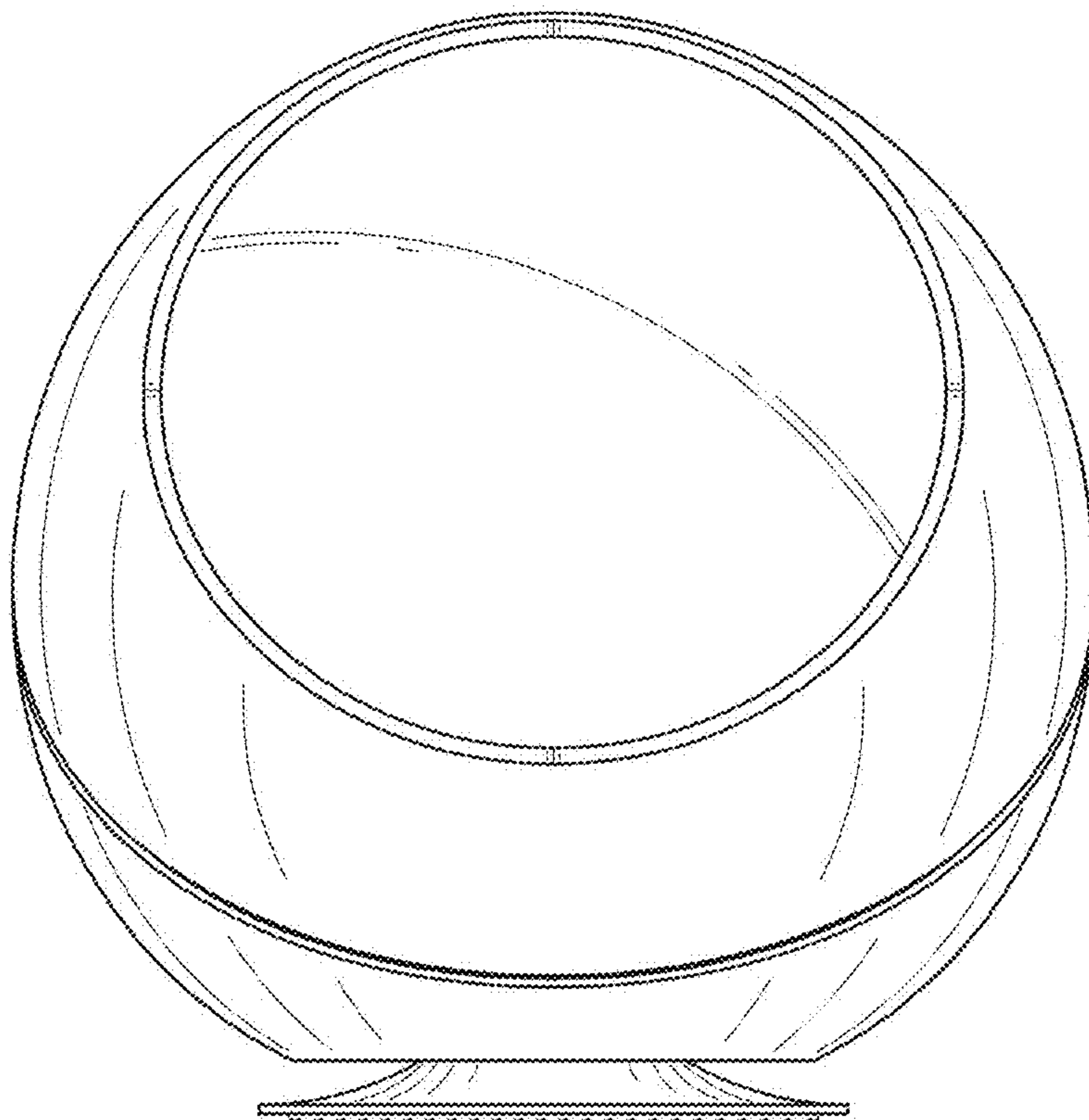


FIG. 3

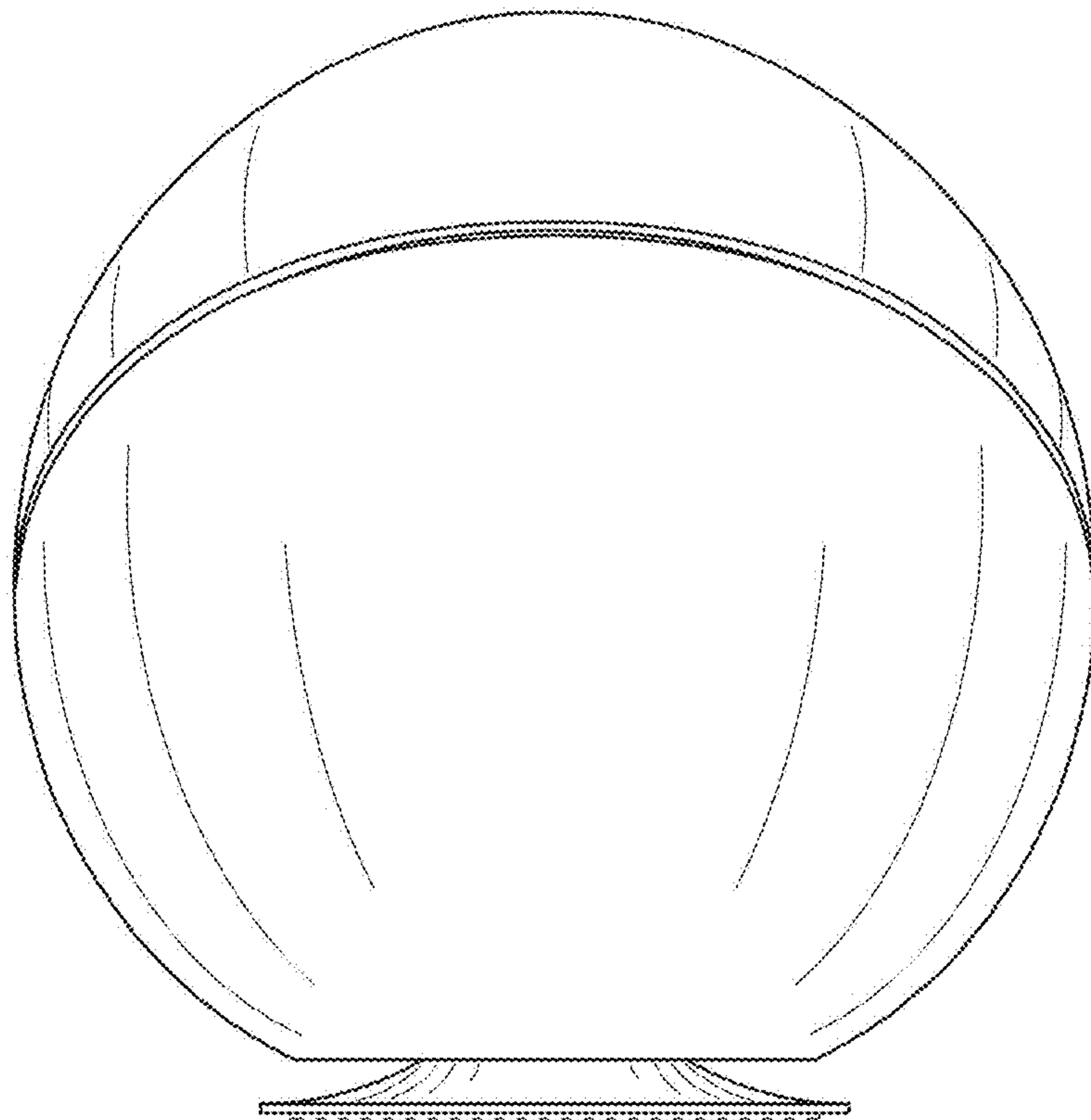


FIG. 4

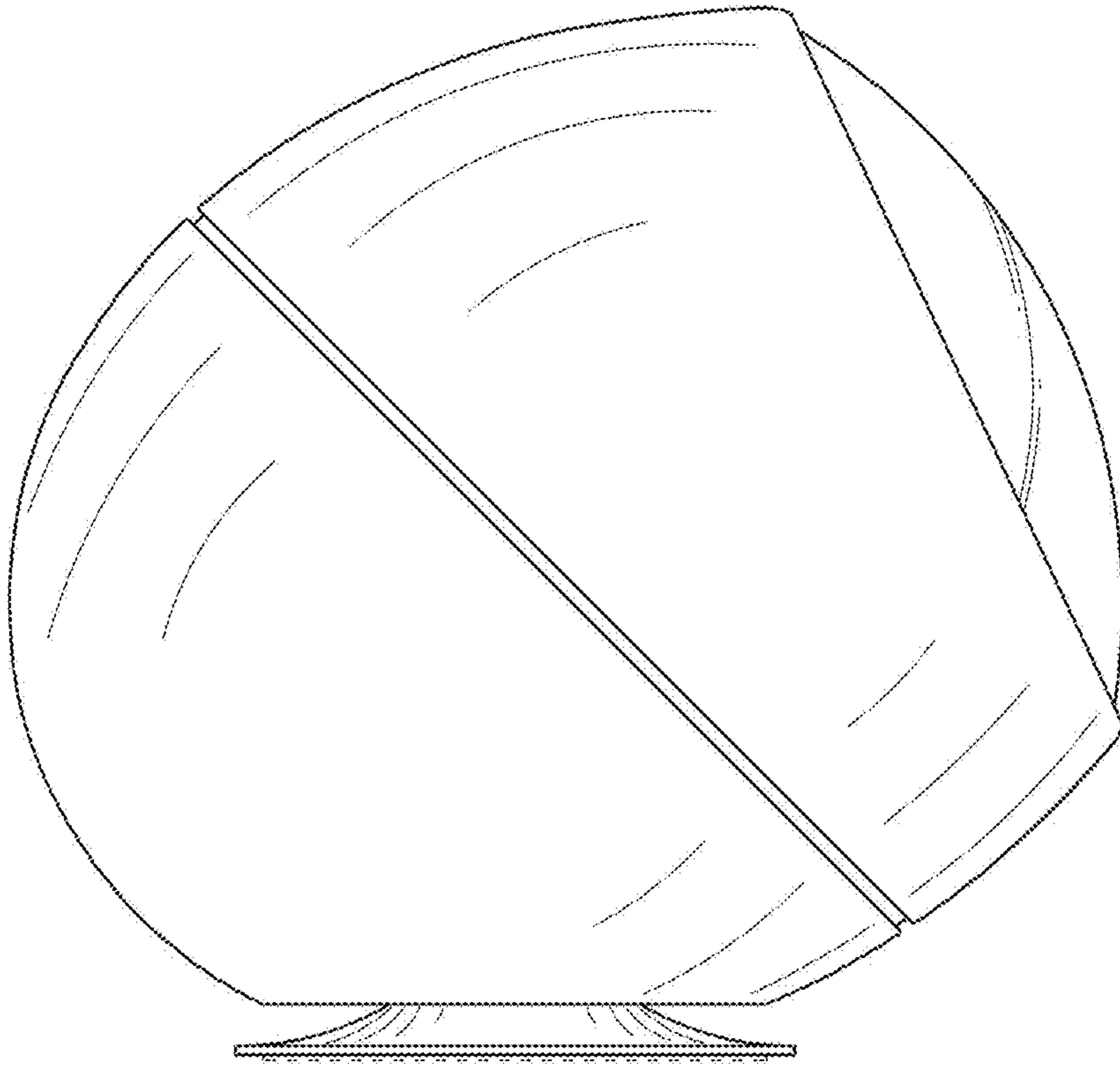


FIG. 5

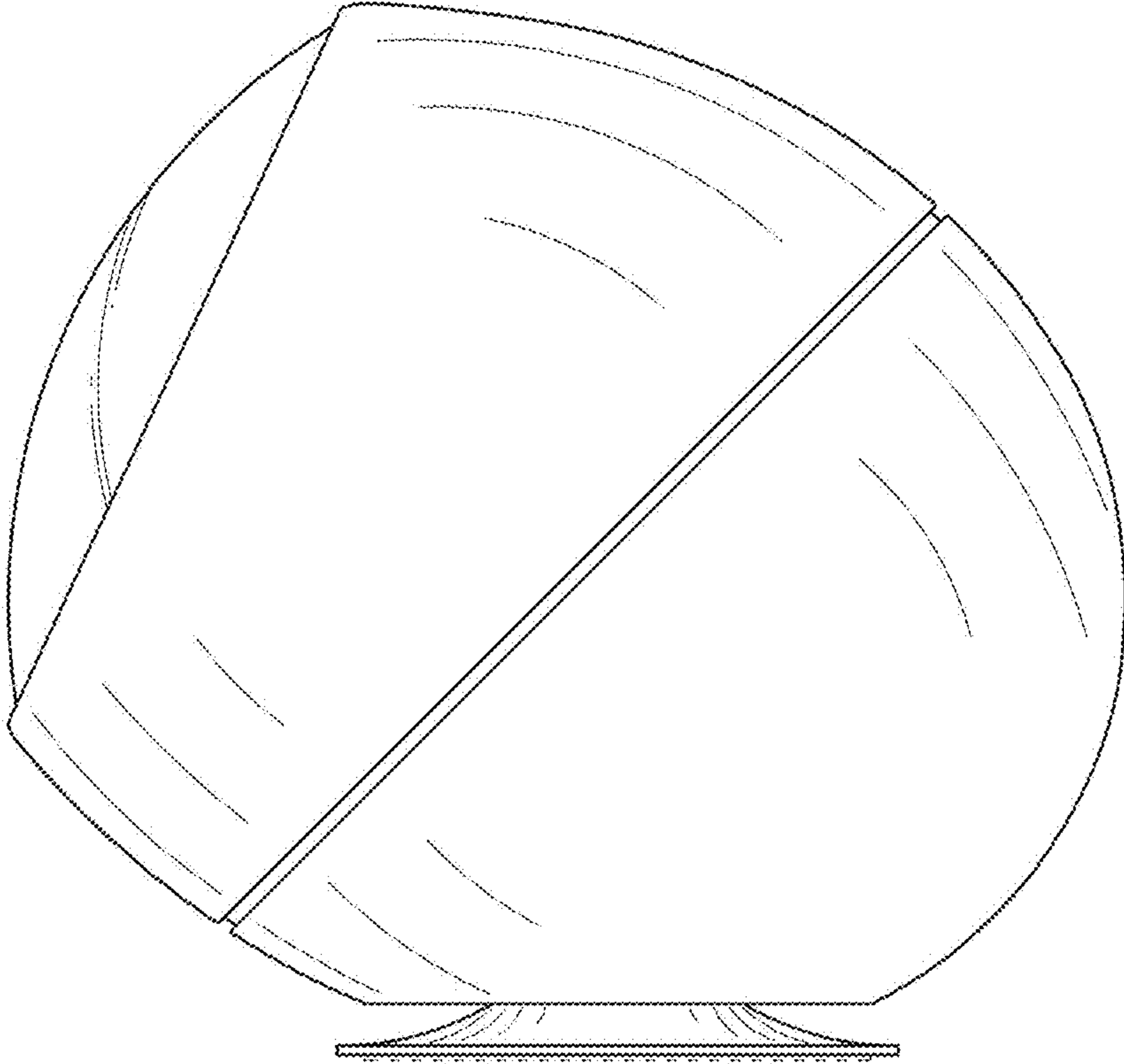


FIG. 6

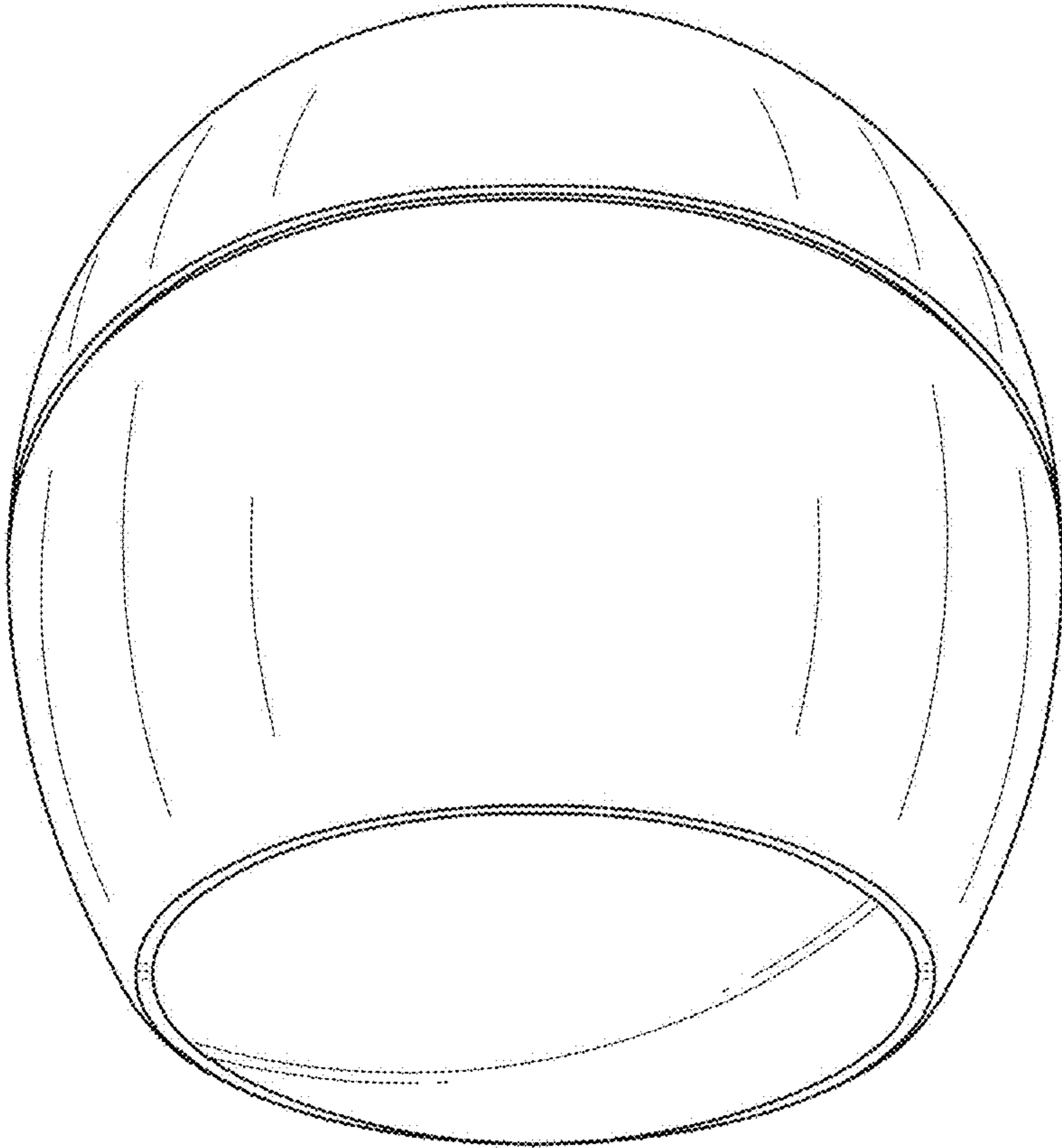


FIG. 7

