



US00D801305S

(12) **United States Design Patent**
Vaclavik et al.

(10) **Patent No.:** **US D801,305 S**
(45) **Date of Patent:** **** Oct. 31, 2017**

(54) **LOUDSPEAKER**

(71) Applicant: **Harman International Industries, Incorporated**, Northridge, CA (US)

(72) Inventors: **Ondrej Vaclavik**, Shenzhen (CN);
Alexander Demin, Shenzhen (CN)

(73) Assignee: **Harman International Industries, Incorporated**, Northridge, CA (US)

(**) Term: **15 Years**

(21) Appl. No.: **29/575,950**

(22) Filed: **Aug. 30, 2016**

(51) **LOC (10) Cl.** **14-01**

(52) **U.S. Cl.**

USPC **D14/215**; D14/210; D14/211; D14/216

(58) **Field of Classification Search**

USPC D14/168, 188, 194, 195, 196, 204, 210,
D14/211, 212, 213, 214, 215, 216

CPC B60R 11/0217; G06F 1/1688; G10K 9/22;
G10K 11/004; H03F 1/327; H04M 1/03;

H04M 1/035; H04N 5/642; H04N
21/4852; H04S 3/00; H04S 7/30; H04R
1/02; H04R 1/06; H04R 1/021; H04R
1/025; H04R 1/026; H04R 1/028; H04R
1/105; H04R 1/323; H04R 1/403; H04R
1/2803; H04R 1/2834; H04R 5/02; H04R
7/20; H04R 9/06; H04R 9/025; H04R
2201/021; H04R 2400/00; H04R 2400/07;
H04R 2499/11; H04R 2499/13; H04R
2499/15

See application file for complete search history.

(56) **References Cited**

U.S. PATENT DOCUMENTS

D71,657 S * 12/1926 Halsted et al. D14/211
D215,675 S * 10/1969 Yran D13/114
D506,460 S * 6/2005 Chan D14/188
D557,208 S * 12/2007 Solland D13/108
D569,847 S * 5/2008 Miyawaki D14/211

D586,780 S * 2/2009 Skurdal D14/211
D587,238 S * 2/2009 Xie D14/172
D712,378 S * 9/2014 Mackiewicz D14/216

(Continued)

OTHER PUBLICATIONS

Techradar—Harman Kardon Onyx, announced Aug. 26, 2014 [online], [site visited Jun. 9, 2017]. Available from internet, URL: <<http://www.techradar.com/reviews/audio-visual/hi-fi-and-audio/hi-fi-and-av-speakers/harman-kardon-onyx-1262856/review>>.*

(Continued)

Primary Examiner — Keli L Hill

Assistant Examiner — Karra S Johnson

(74) *Attorney, Agent, or Firm* — Plumsea Law Group, LLC

(57) **CLAIM**

The ornamental design for a loudspeaker, as shown and described.

DESCRIPTION

FIG. 1 is a front perspective view of a loudspeaker showing the new design;

FIG. 2 is a rear perspective view thereof;

FIG. 3 is a front elevational view thereof;

FIG. 4 is a rear elevational view thereof;

FIG. 5 is a left side elevational view thereof;

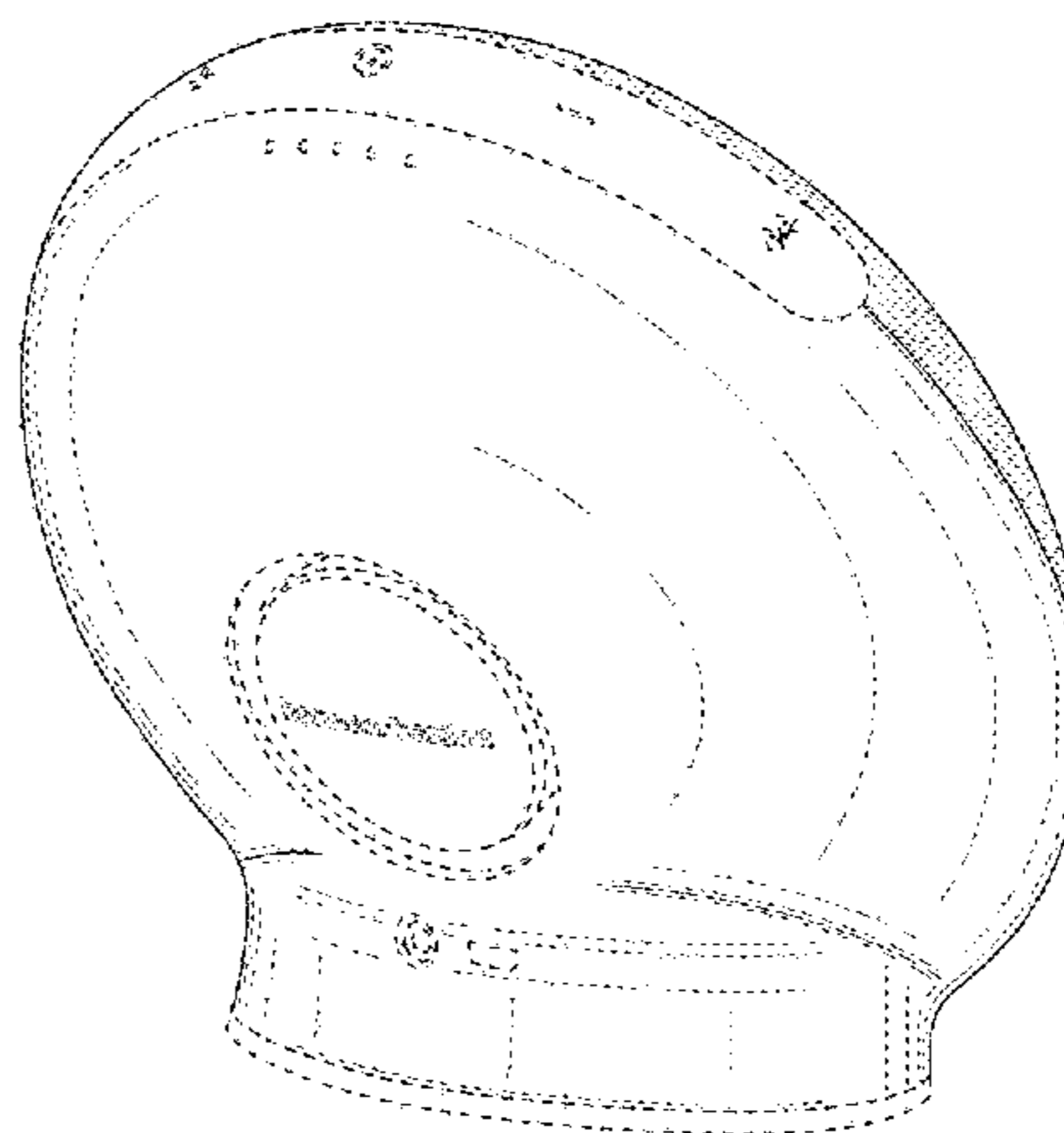
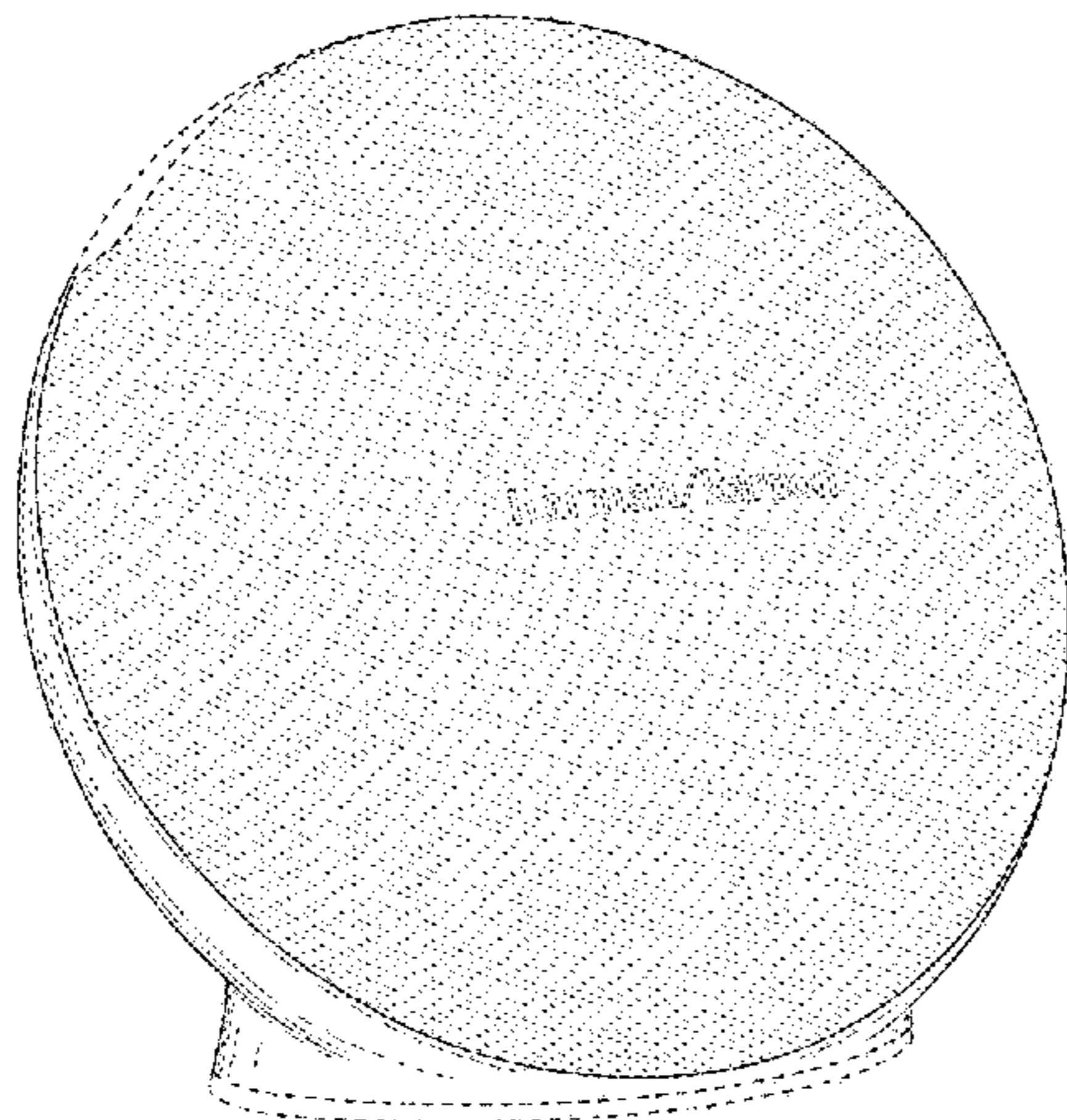
FIG. 6 is a right side elevational view thereof;

FIG. 7 is a top plan view thereof; and,

FIG. 8 is a bottom plan view thereof.

The broken line showings and unshaded areas form no part of the claimed design. The broken line showings include the loudspeaker grille, which forms no part of the claimed design, and for which no specific color, material, surface treatment, or texture is claimed. The shading illustrated in the figures is provided merely to represent the contour of the design and is not intended to be illustrative of, for example, any particular texture, gloss, color, translucence, transparency, or surface decoration.

1 Claim, 8 Drawing Sheets



(56)

References Cited

U.S. PATENT DOCUMENTS

D722,594 S	*	2/2015	Won	D14/216
D736,181 S	*	8/2015	Mackiewicz	D14/216
D738,353 S	*	9/2015	Slaato	D14/216
D752,024 S	*	3/2016	Kachwalla	D14/216
D755,162 S	*	5/2016	He	D14/216
D778,871 S	*	2/2017	Corval	D14/204
D781,266 S	*	3/2017	Ahn	D14/204

OTHER PUBLICATIONS

Digital Trends—Harman Kardon Onyx Studio, announced Apr. 15, 2014 [online], [site visited Jun. 9, 2017]. Available from internet, URL: <<https://www.digitaltrends.com/wireless-speaker-dock-reviews/harman-kardon-onyx-studio-review/>>.*

PC Mag—Harman Kardon Onyx Mini, announced Nov. 23, 2016 [online], [site visited Jun. 9, 2017]. Available from internet, URL: <<http://www.pcmag.com/review/349744/>>.*

* cited by examiner

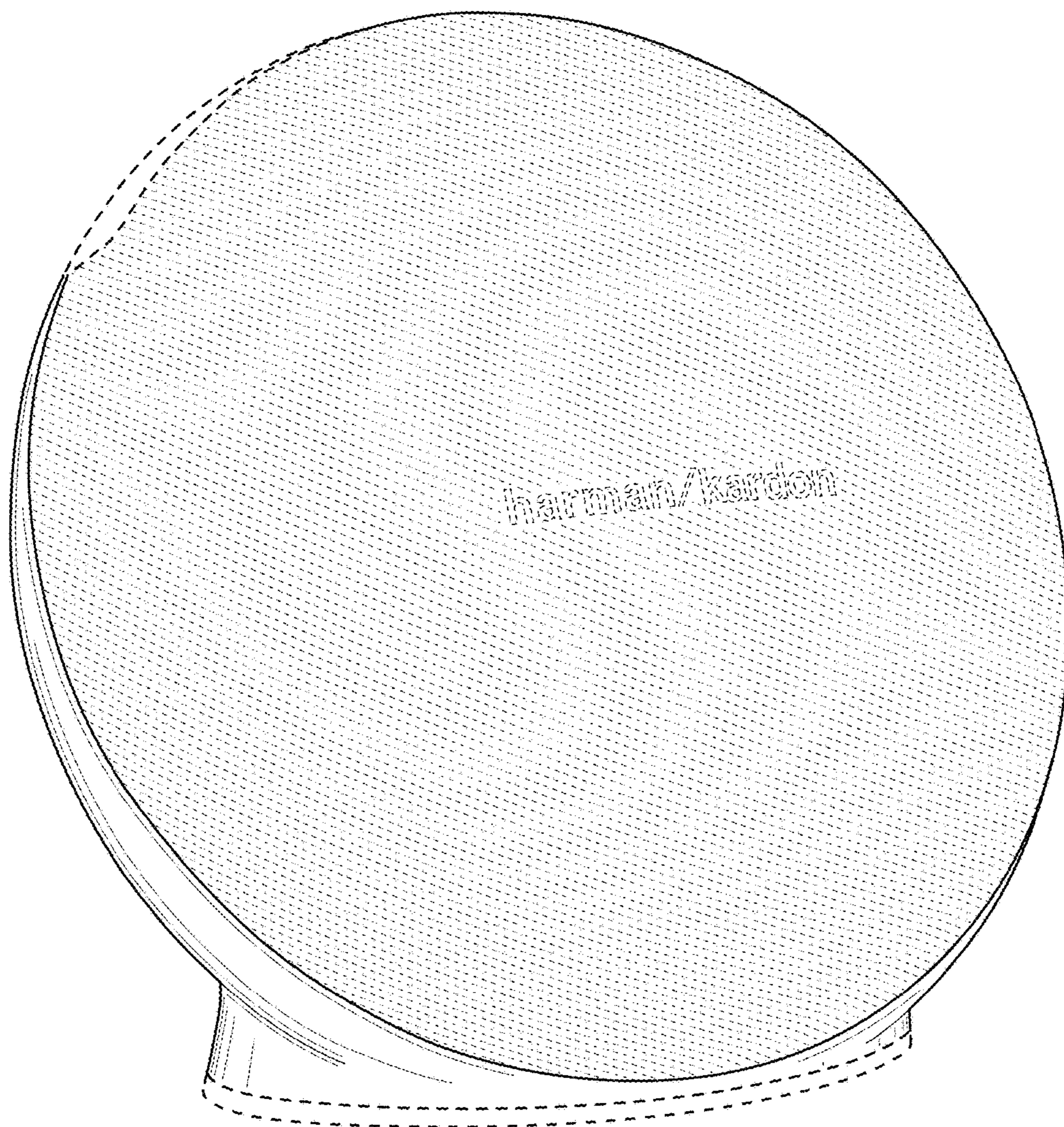


FIG. 1

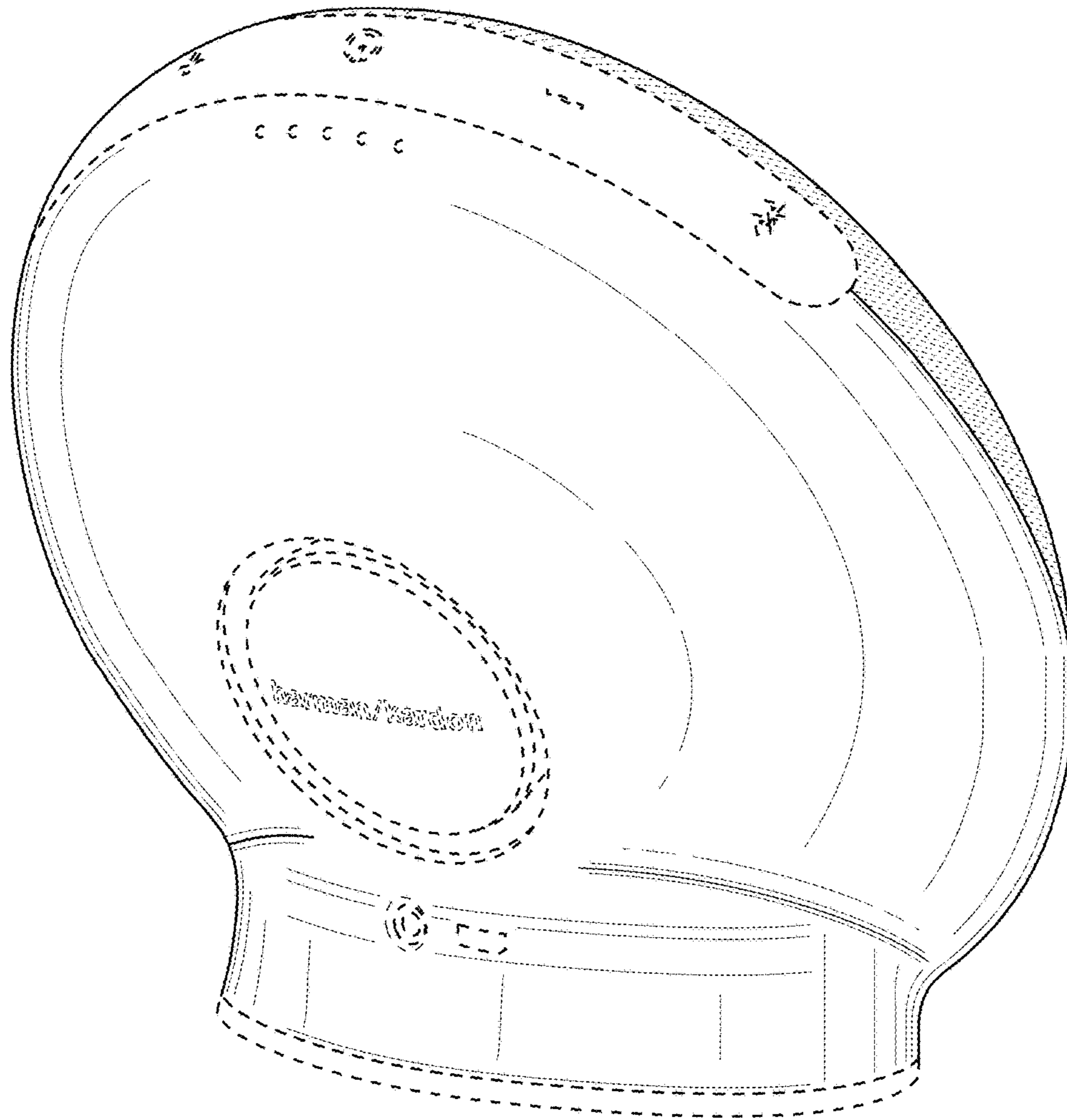


FIG. 2

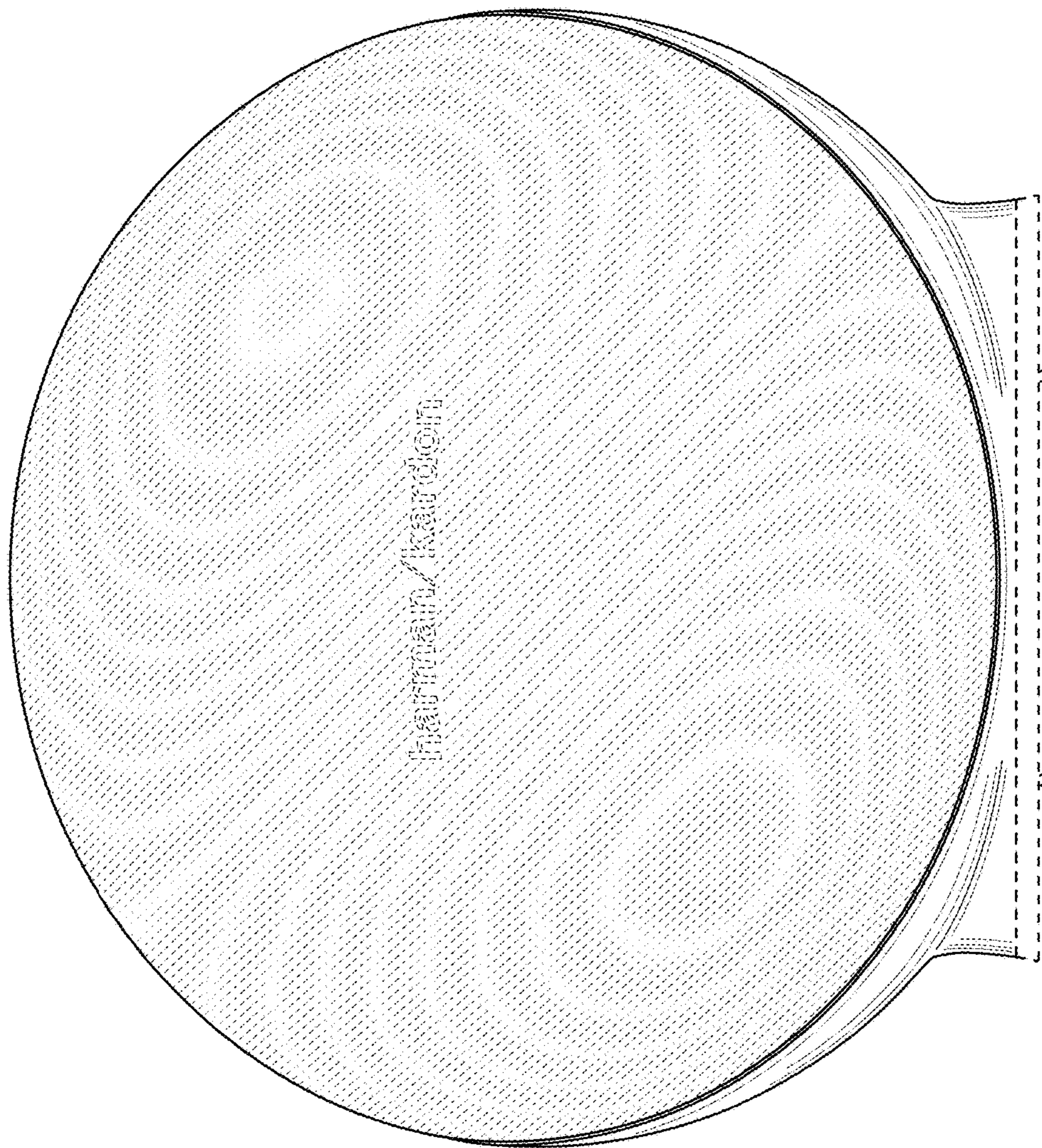


FIG. 3

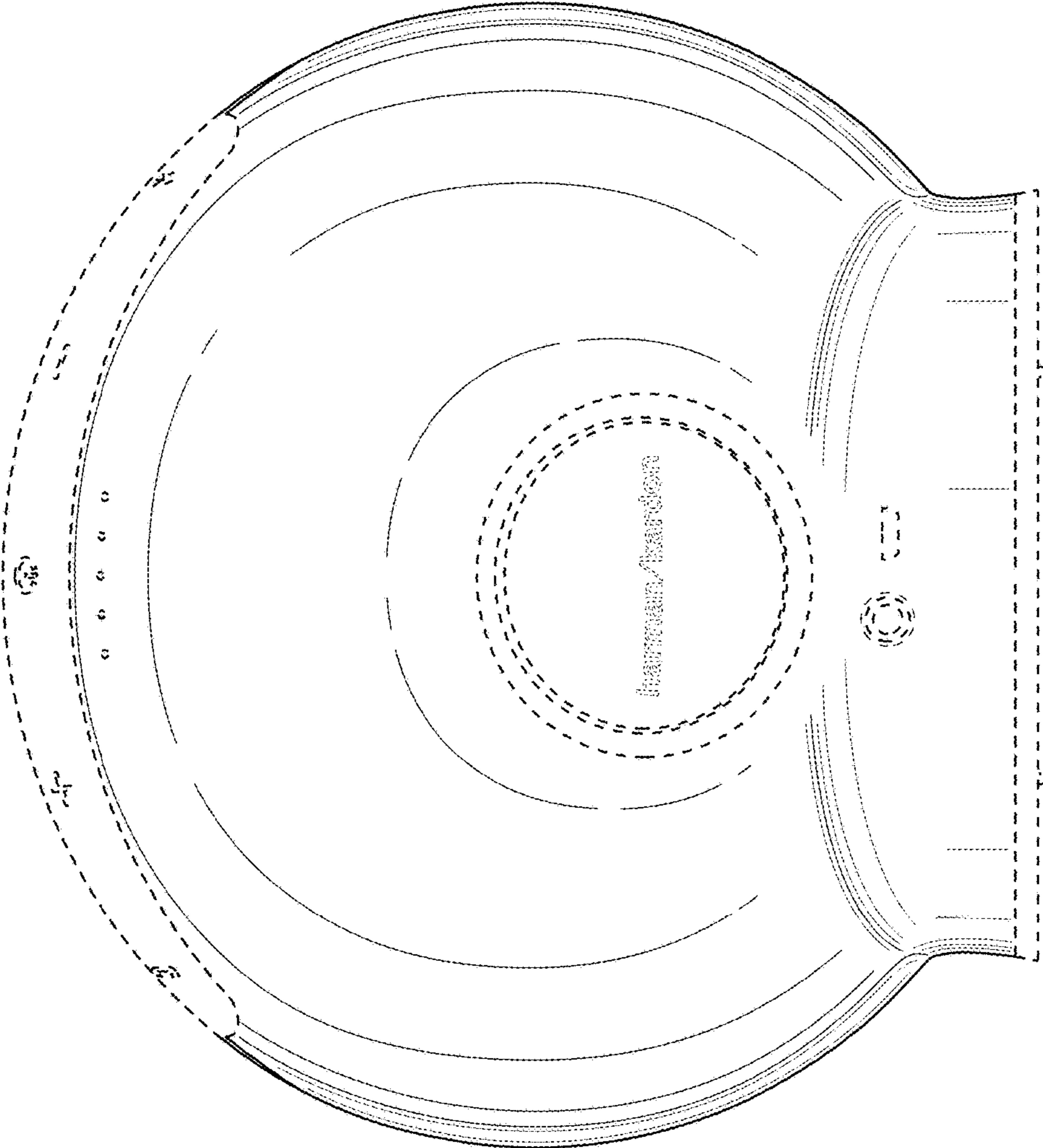


FIG. 4

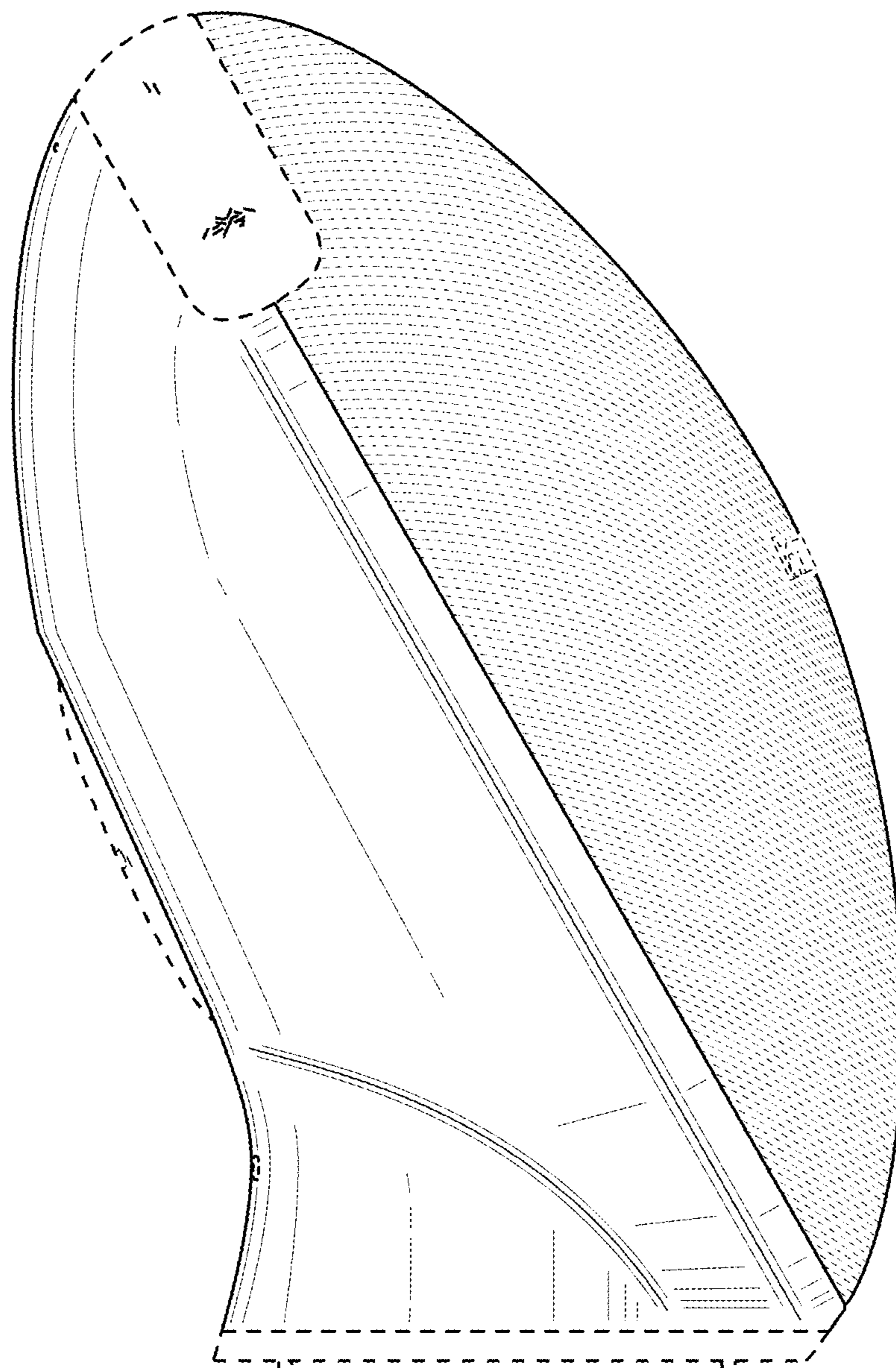


FIG. 5

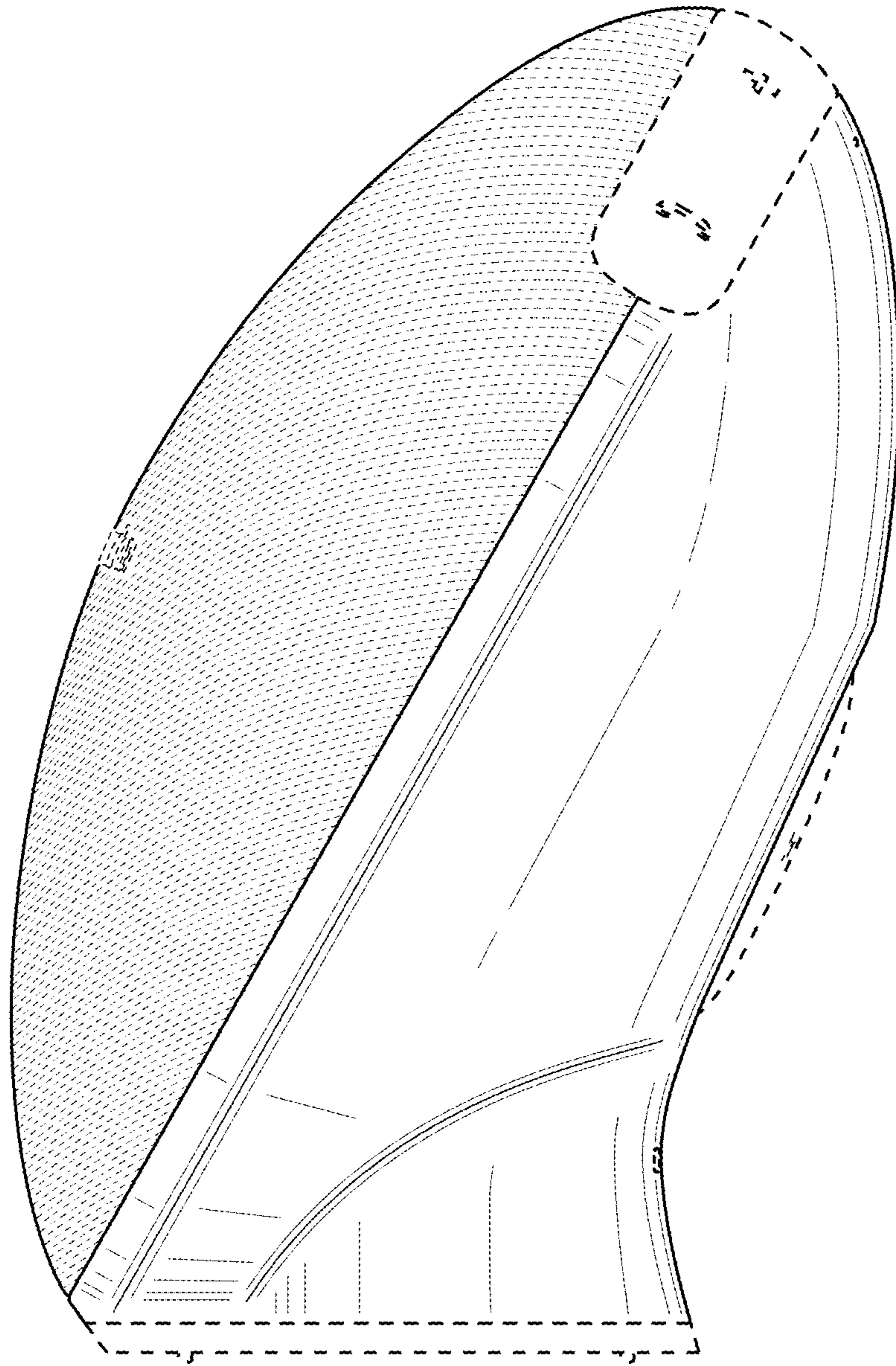


FIG. 6

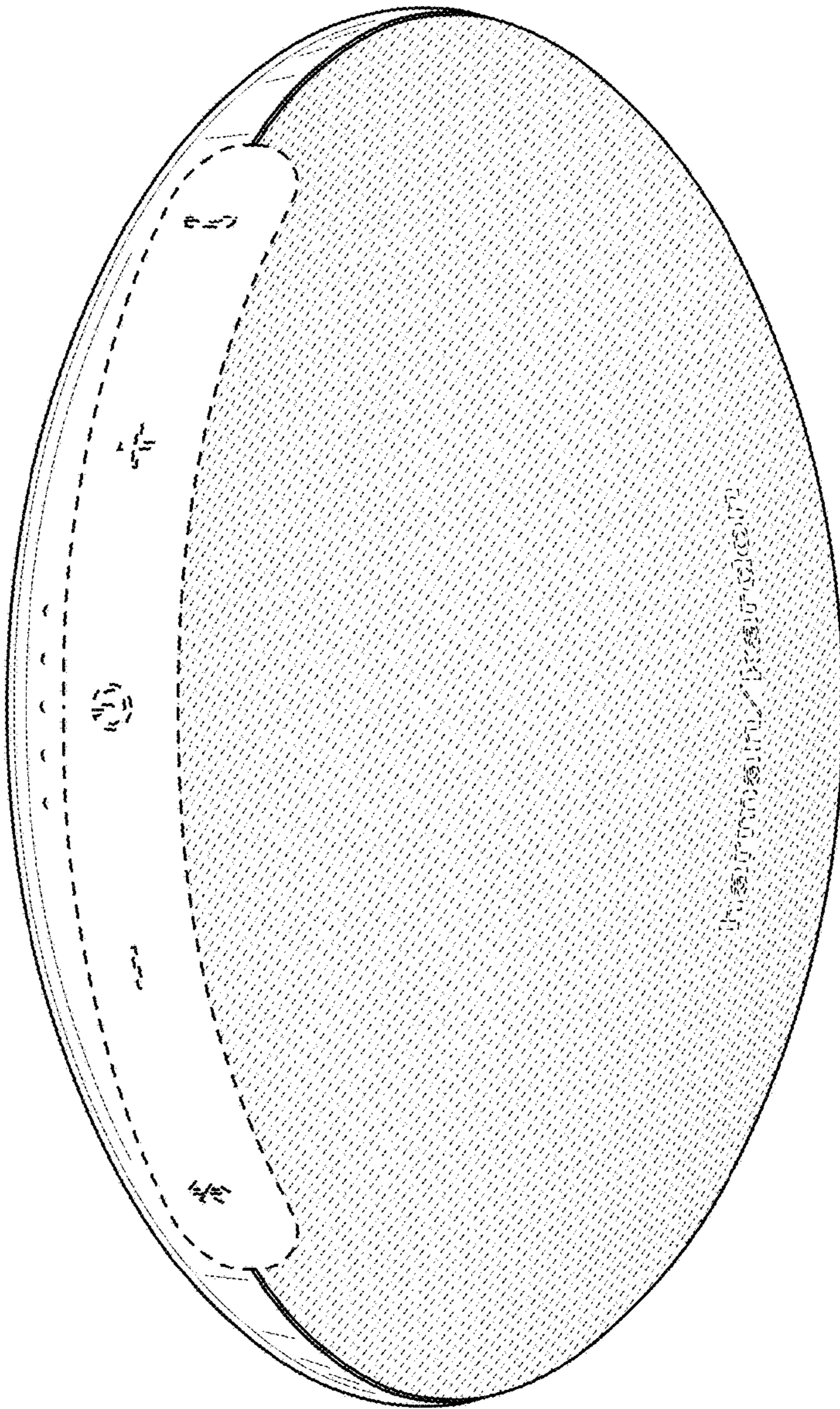


FIG. 7

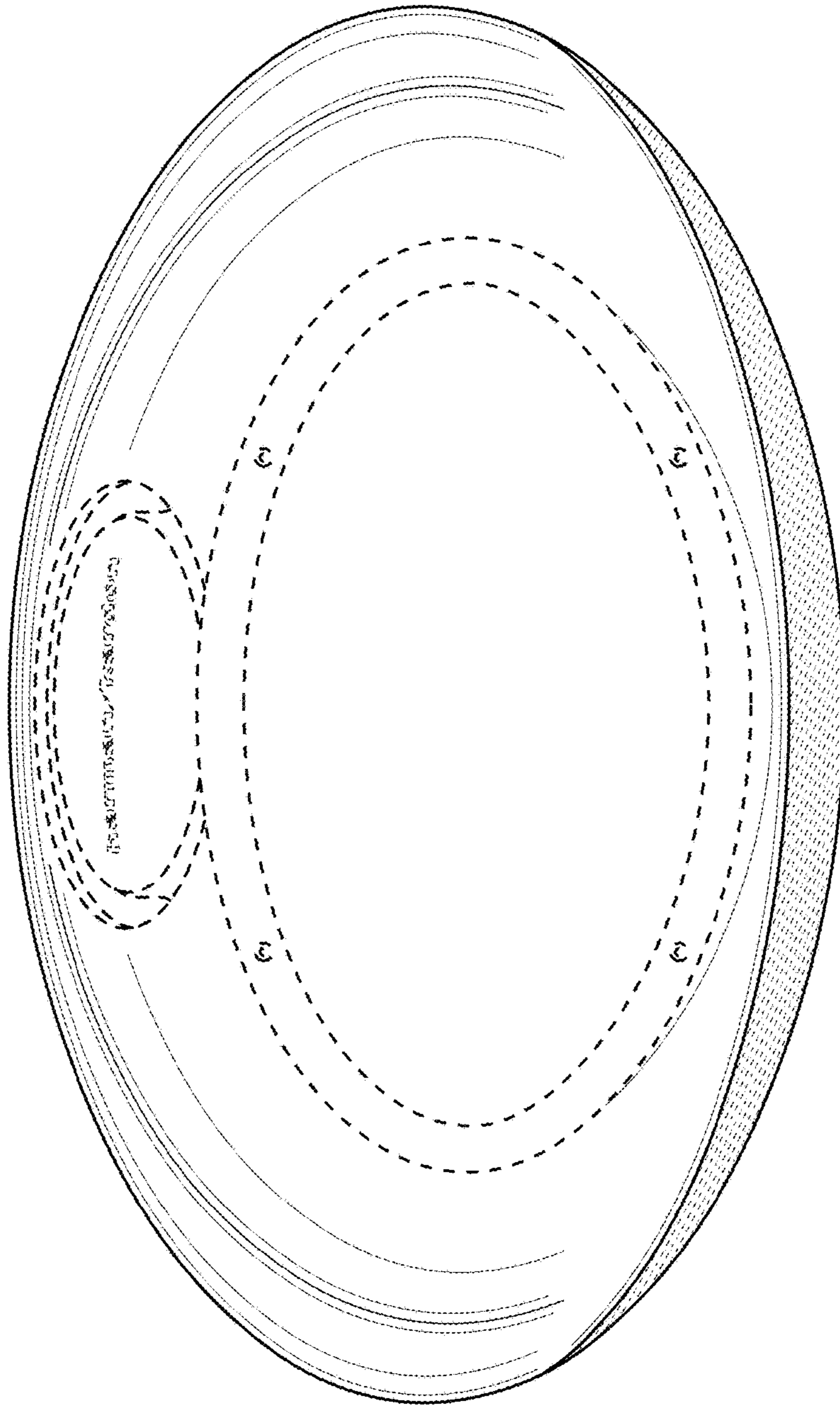


FIG. 8