



US00D801303S

(12) **United States Design Patent** (10) **Patent No.:** **US D801,303 S**
Holzer (45) **Date of Patent:** **** Oct. 31, 2017**

(54) **BALL SHAPED SPEAKER**

(71) Applicant: **SDI Technologies, Inc.**, Rahway, NJ (US)

(72) Inventor: **Eric Holzer**, Manville, NJ (US)

(73) Assignee: **SDI Technologies, Inc.**, Rahway, NJ (US)

(**) Term: **15 Years**

(21) Appl. No.: **29/582,439**

(22) Filed: **Oct. 27, 2016**

(51) **LOC (10) Cl.** **14-01**

(52) **U.S. Cl.**
USPC **D14/207**

(58) **Field of Classification Search**
USPC D14/204, 207, 210–216, 172, 209.1, D14/203.2, 189; 181/143, 144, 147, 148, 181/150–153, 157, 198, 199; 381/300–303, 306, 332, 333, 336, 345, 381/361–364, 386–388; D11/160, 162, D11/606–609, 832; 455/344–347; 369/6–12; D9/683, 500, 738, 763; D7/300, 601–606
CPC H04R 1/00; H04R 1/02; H04R 2400/00; H05K 5/00
See application file for complete search history.

4,872,854 A * 10/1989 Hesu G04G 17/08 439/577
D447,471 S * 9/2001 Andre D14/215
D484,486 S * 12/2003 Solland D14/207
D557,258 S * 12/2007 Steindl D14/216
D606,515 S * 12/2009 Ludlum D14/207
D699,217 S * 2/2014 McCoy D14/203.2
D728,513 S * 5/2015 Lin D14/207
D731,459 S * 6/2015 Paslawski D14/207
D752,545 S * 3/2016 Chen D14/207
D752,546 S * 3/2016 Chen D14/207

* cited by examiner

Primary Examiner — Prabhakar Deshmukh
(74) *Attorney, Agent, or Firm* — Leason Ellis LLP

(57) **CLAIM**

The ornamental design for a ball shaped speaker, as shown and described.

DESCRIPTION

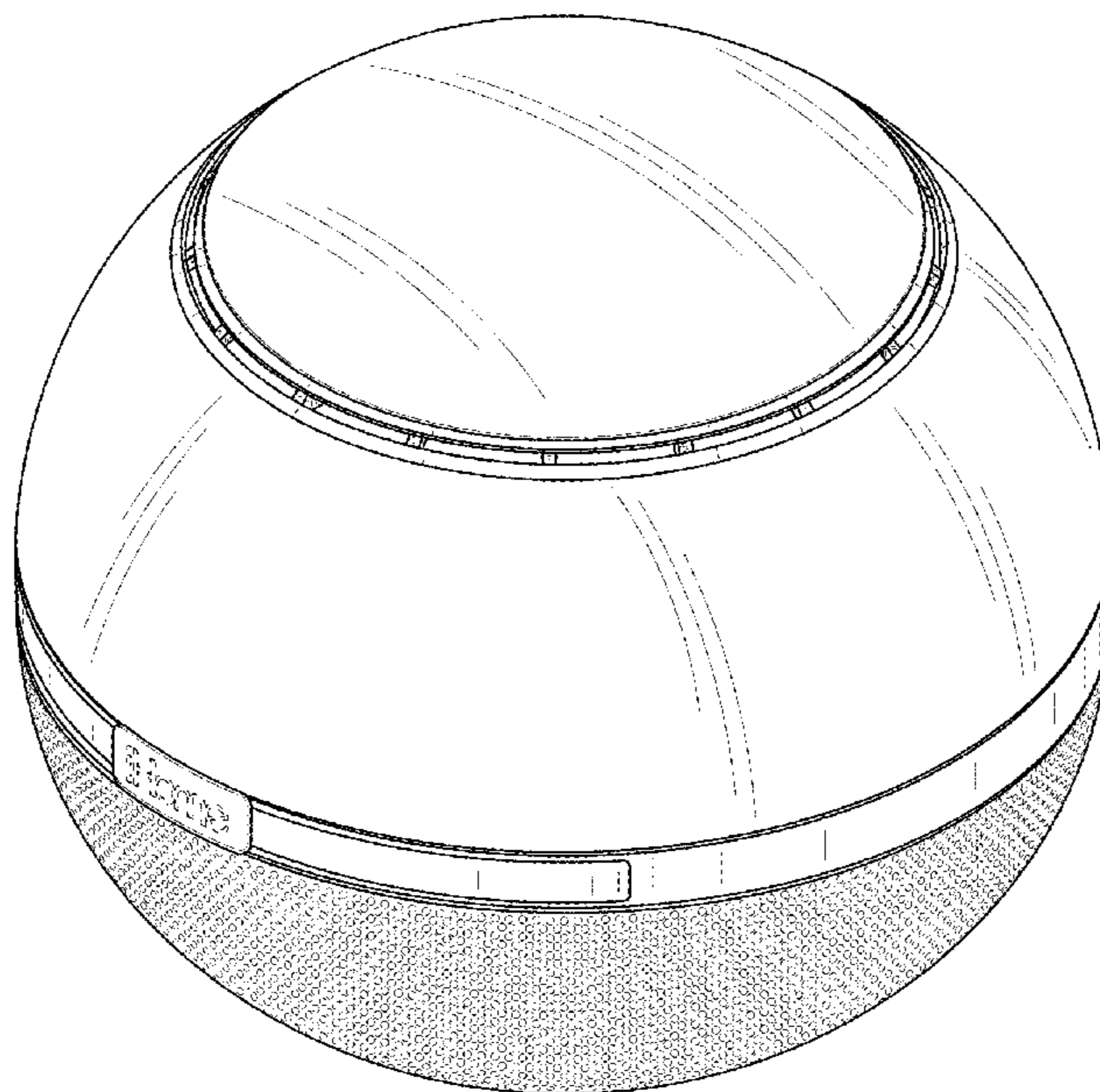
FIG. 1 is a front perspective view of a ball shaped speaker according to my new design;
FIG. 2 is a front view of the design of FIG. 1;
FIG. 3 is a rear view of the design of FIG. 1;
FIG. 4 is a left side view of the design of FIG. 1;
FIG. 5 is a right side view of the design of FIG. 1;
FIG. 6 is a top view of the design of FIG. 1; and
FIG. 7 is a bottom view of the design of FIG. 1.
The dash-dash broken lines, including branding, the recessed rear panel, the feet, and the bottom surface, illustrate environmental structure that form no part of the claimed design, and are intended to illustrate optional environmental features that can be omitted, with the underlying surface being continuous and uninterrupted.

1 Claim, 7 Drawing Sheets

(56) **References Cited**

U.S. PATENT DOCUMENTS

2,942,379 A * 6/1960 Oman A63H 33/005 40/427
3,170,538 A * 2/1965 Detrick F21V 33/0056 181/141



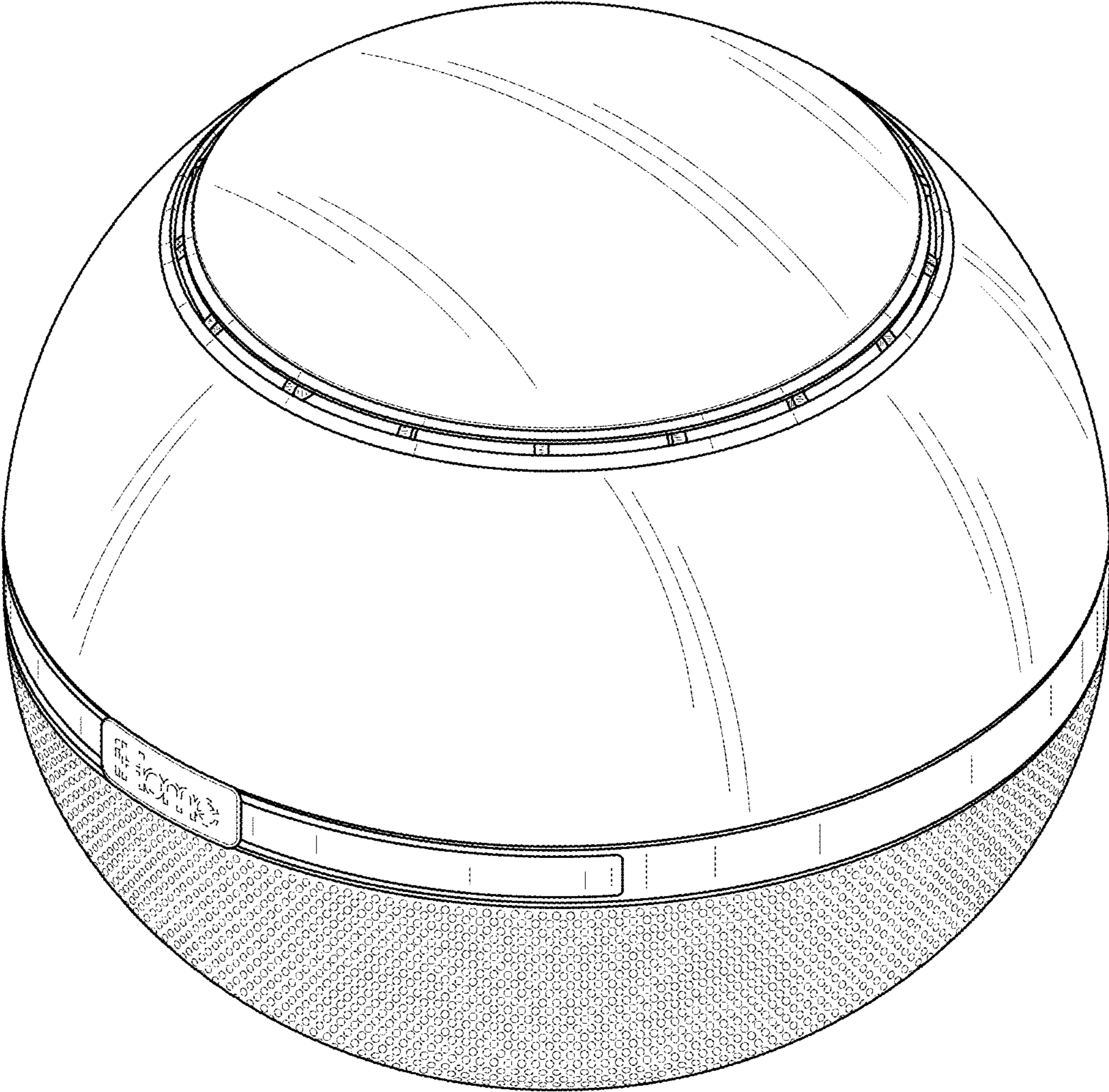


FIG. 1

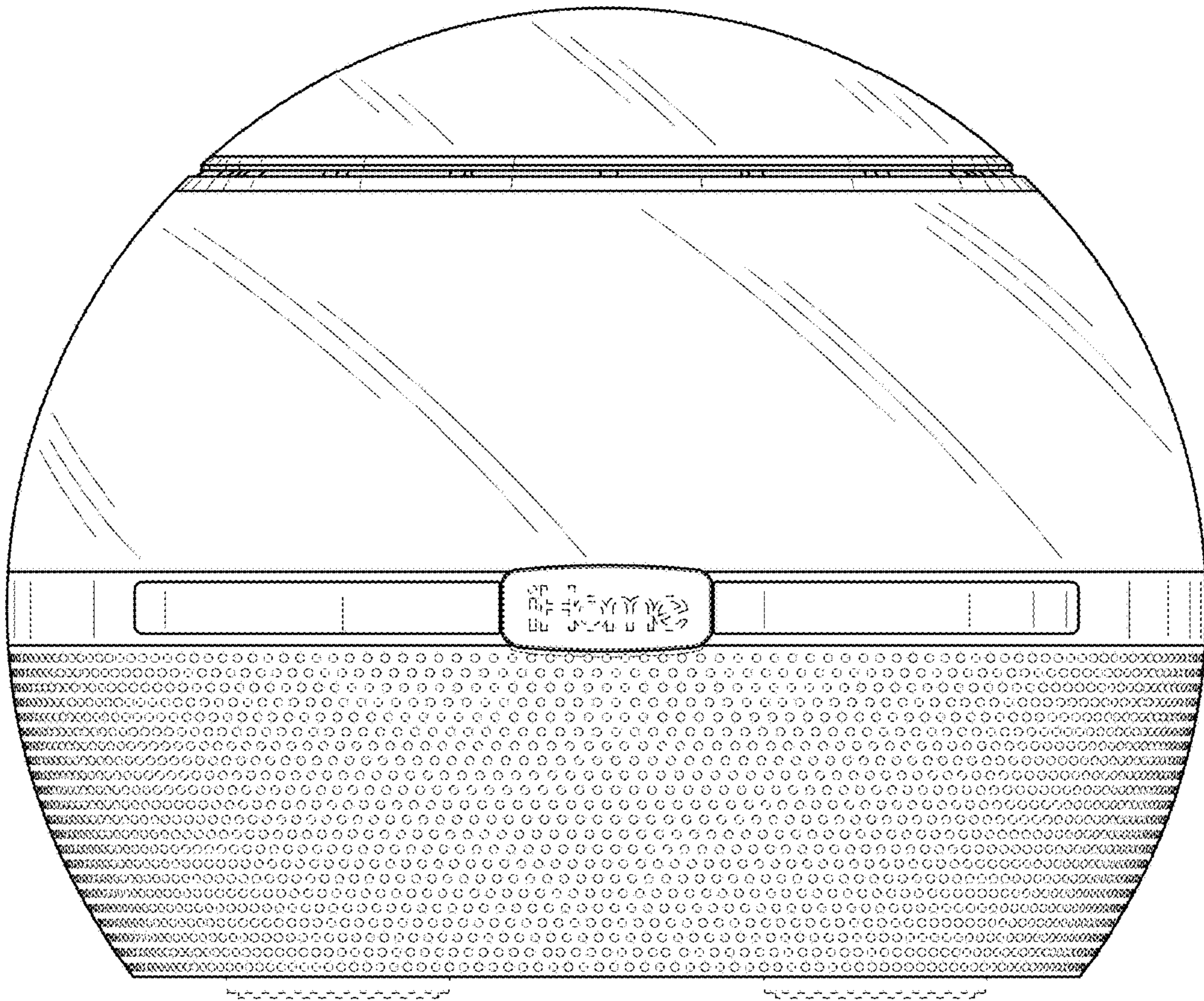


FIG. 2

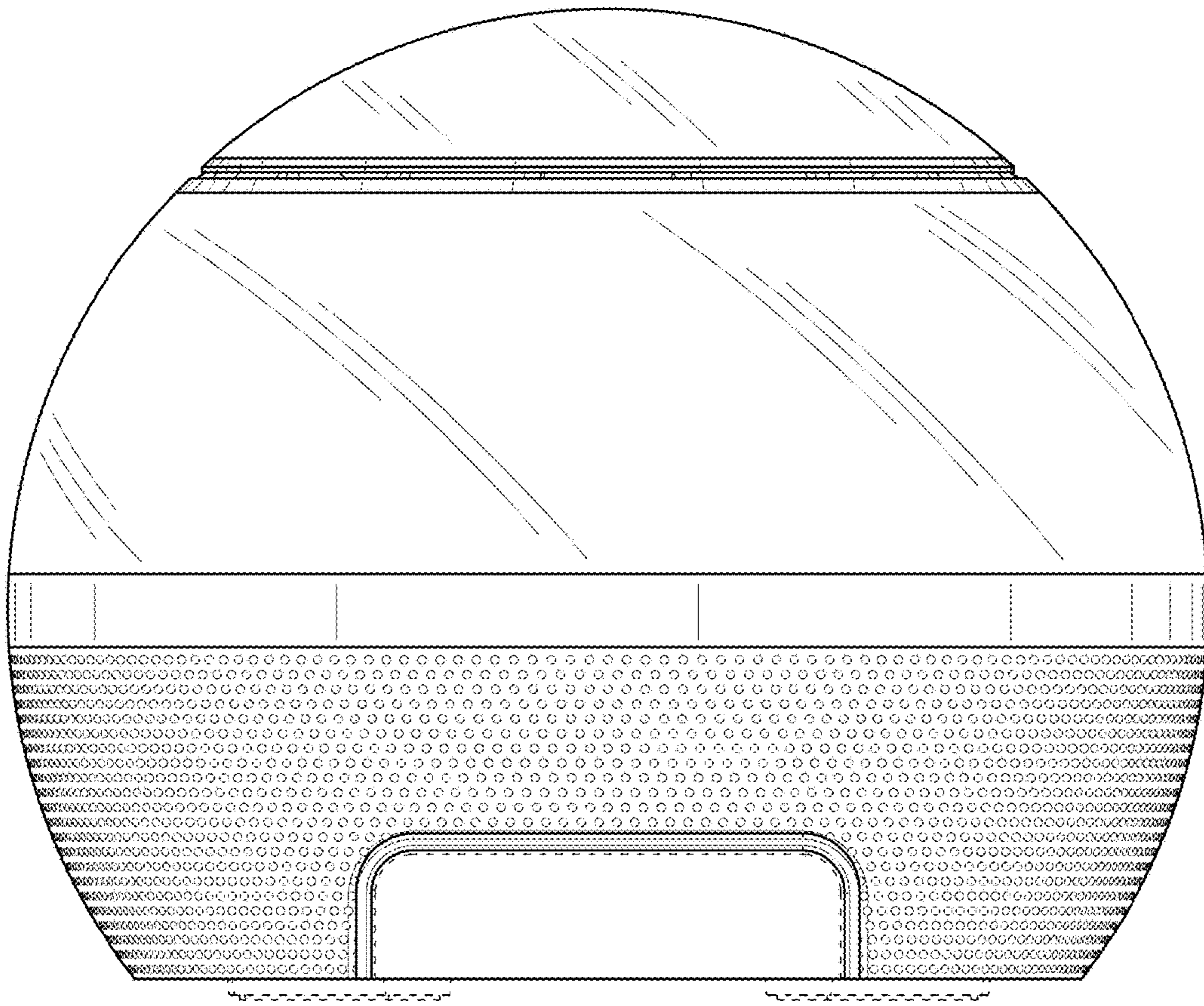


FIG. 3

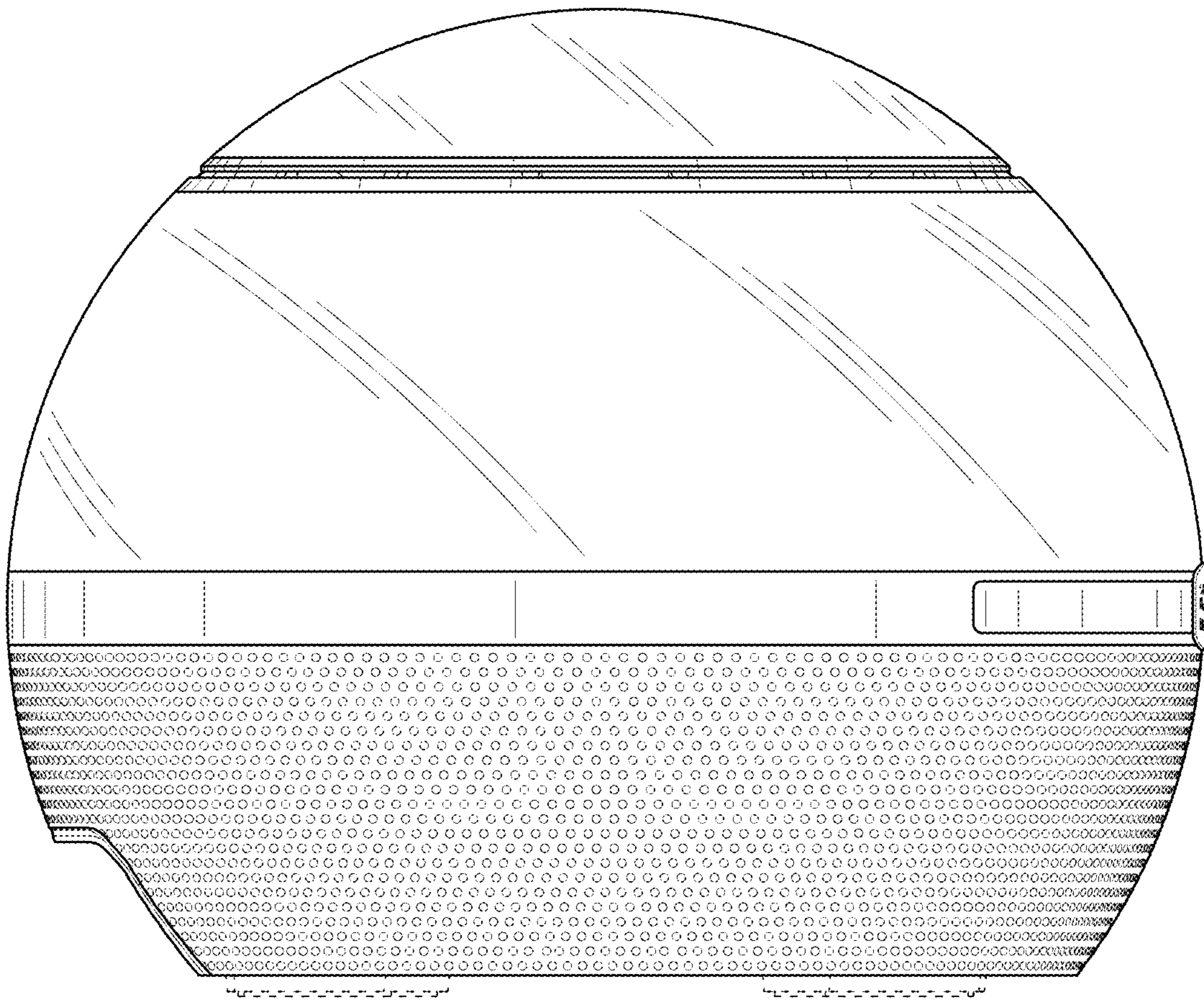


FIG. 4

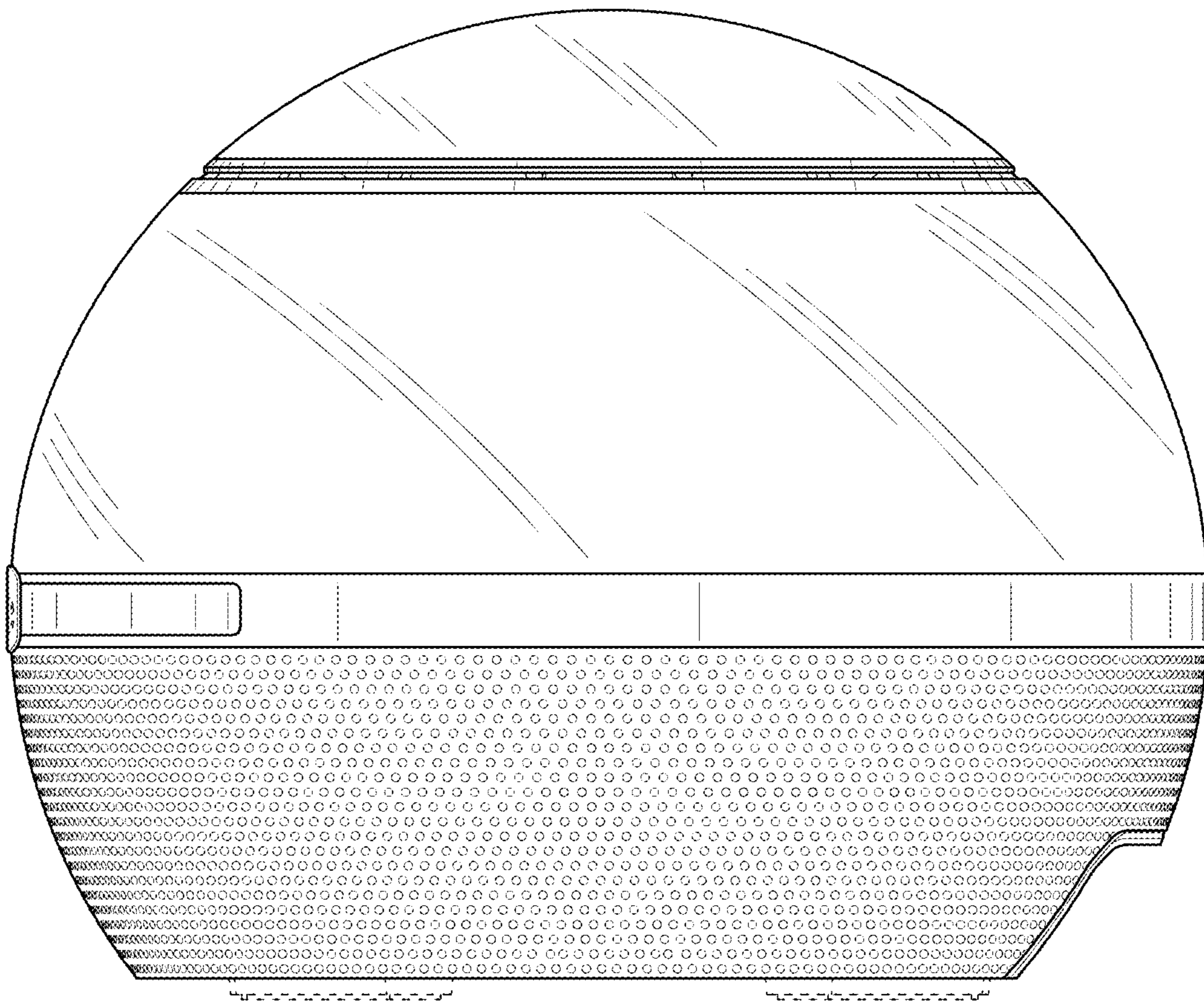


FIG. 5

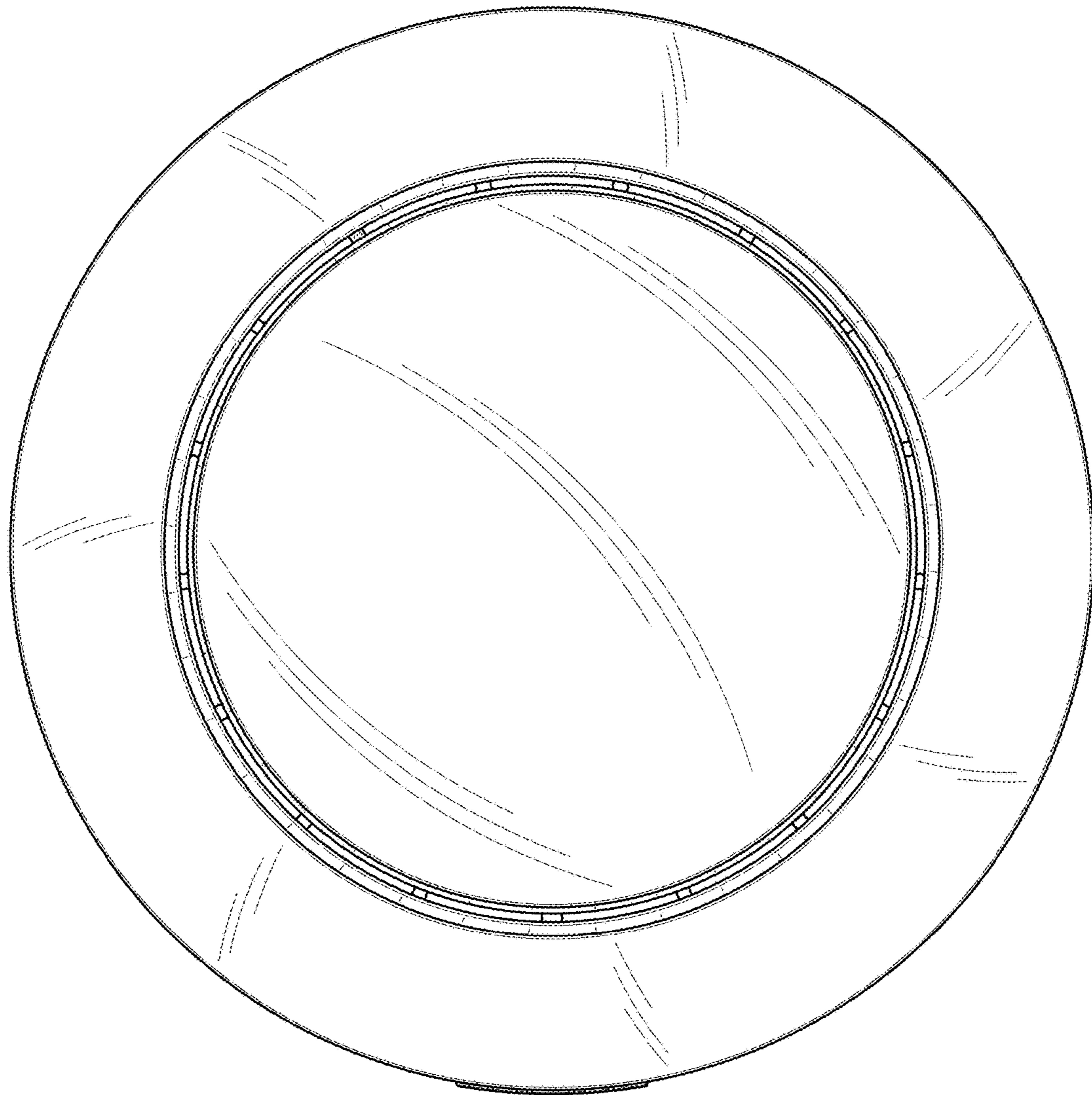


FIG. 6

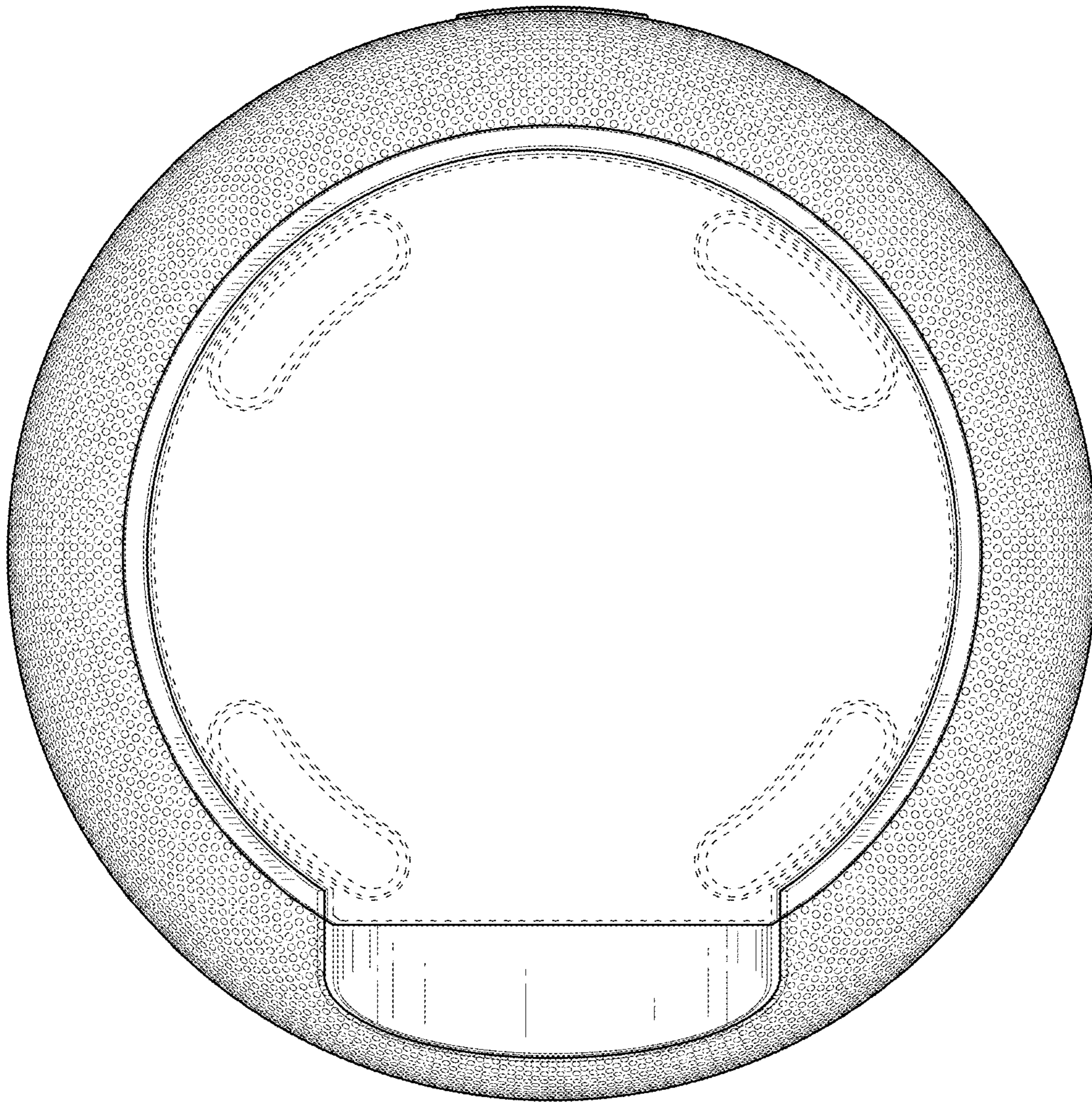


FIG. 7