



US00D801302S

(12) **United States Design Patent**
Lai

(10) **Patent No.:** **US D801,302 S**
(45) **Date of Patent:** **** Oct. 31, 2017**

(54) **WIRELESS EARPHONE**

(71) Applicant: **Qing Lai**, Maoming (CN)

(72) Inventor: **Qing Lai**, Maoming (CN)

(73) Assignee: **Shenzhen Joway Power Supply Co, Ltd**, Shenzhen (CN)

(**) Term: **15 Years**

(21) Appl. No.: **29/573,133**

(22) Filed: **Aug. 3, 2016**

(51) **LOC (10) Cl.** **14-01**

(52) **U.S. Cl.**
USPC **D14/205**

(58) **Field of Classification Search**
USPC D14/205, 223; 181/129, 130, 135;
379/430, 431; 381/380, 381, 74, 370,
381/374, 330, 322, 328, 371, 373, 376;
455/90.3, 569.1, 575.1
CPC H04R 1/10; H04R 1/1033; H04R 1/1016;
H04R 1/1066; H04R 1/105; H04R
1/1091; H04R 5/033; H04R 5/0335;
H04R 25/00
See application file for complete search history.

(56) **References Cited**

U.S. PATENT DOCUMENTS

1,528,080 A * 3/1925 Scher A61F 11/008
181/133

1,614,987 A * 1/1927 Langenbeck H04R 25/65
181/135

2,459,325 A * 1/1949 Knowles H04R 1/1075
381/151

2,501,107 A * 3/1950 Volkmann H04R 5/0335
381/374

2,641,327 A * 6/1953 Balmer H04R 1/105
181/129

2,874,230 A * 2/1959 Carlson G02C 11/06
381/327

3,440,365 A * 4/1969 Hazell H04M 1/05
379/430

D286,772 S * 11/1986 Pope D14/205

5,044,014 A * 9/1991 Cornale A61F 11/008
2/209

D326,655 S * 6/1992 Iribe D14/192

D331,408 S * 12/1992 Ellermeier D14/205

5,410,608 A * 4/1995 Lucey H04R 1/083
381/360

D371,133 S * 6/1996 Andrea D14/206

5,691,515 A * 11/1997 Landis A42B 3/30
181/129

D407,089 S * 3/1999 Norin D14/206

6,195,806 B1 * 3/2001 Campbell A45D 44/12
128/866

(Continued)

Primary Examiner — Paula Allen Greene

(57) **CLAIM**

The ornamental design for wireless earphone, as shown and described.

DESCRIPTION

FIG. 1 is a front elevational view of a bluetooth earphone showing my new design;

FIG. 2 is a rear elevational view thereof;

FIG. 3 is a left side elevational view thereof;

FIG. 4 is a right side elevational view thereof;

FIG. 5 is a top plan view thereof;

FIG. 6 is a bottom plan view thereof, and

FIG. 7 is a front perspective view thereof.

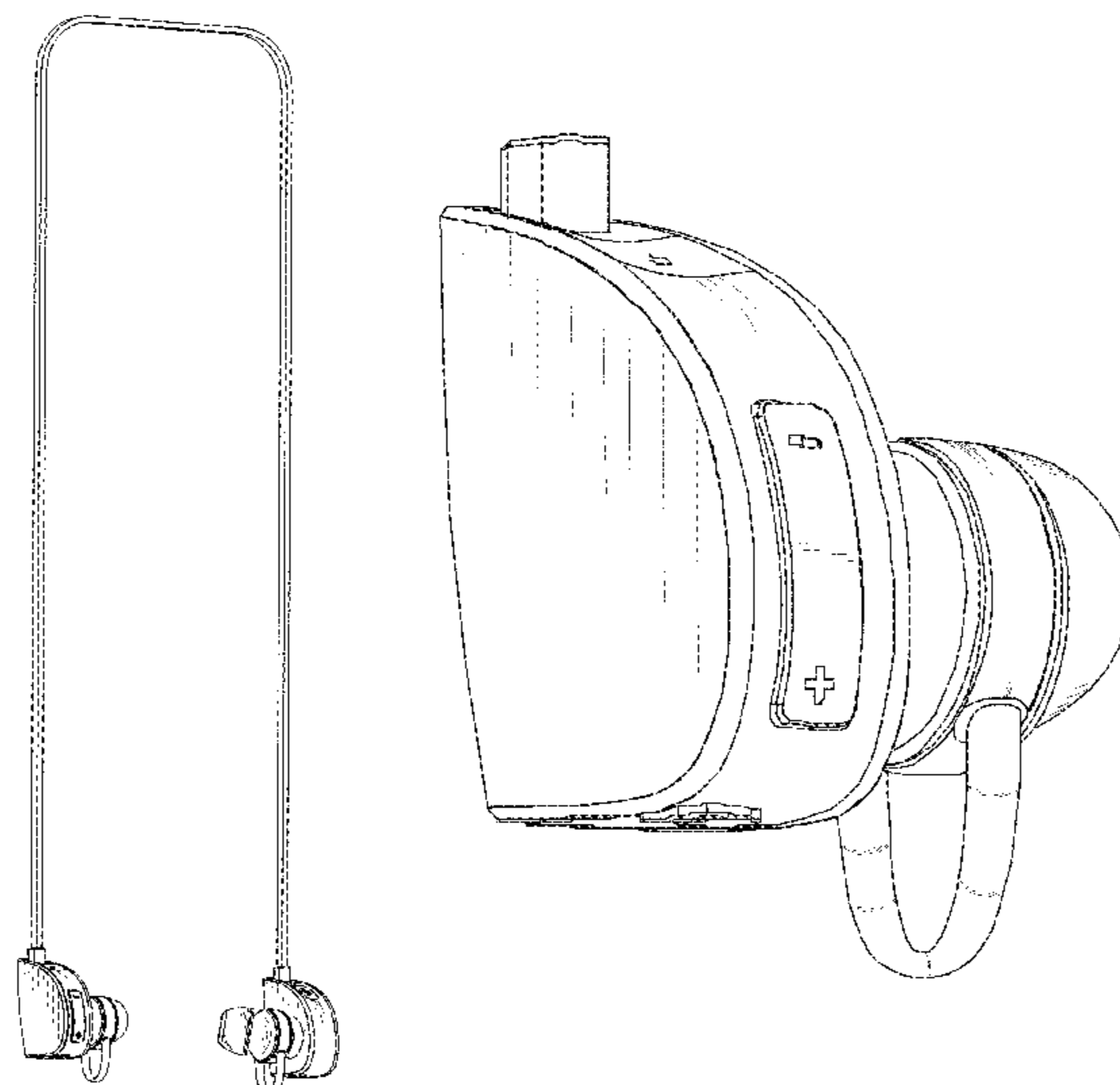
FIG. 8 is an enlarged view of a left perspective view of one earphone of the wireless earphone thereof; and,

FIG. 9 is an enlarged opposite perspective view of FIG. 8 of the wireless earphone thereof.

The broken lines depict environment that forms no part of the claimed design.

The claimed bluetooth earphone is used to connect a bluetooth enabled device as a wireless earphone.

1 Claim, 9 Drawing Sheets



(56)

References Cited

U.S. PATENT DOCUMENTS

6,445,805 B1 * 9/2002 Grugel H04R 5/0335
 181/129
 D535,642 S * 1/2007 Garcia D14/206
 D550,202 S * 9/2007 Meier D14/206
 D559,831 S * 1/2008 Lee D14/205
 D585,050 S * 1/2009 Gondo D14/205
 D593,076 S * 5/2009 Kung D14/223
 D594,442 S * 6/2009 Chon D14/205
 D598,901 S * 8/2009 Lee D14/223
 D601,125 S * 9/2009 Komiyama D14/205
 D603,847 S * 11/2009 Chung D14/223
 D619,561 S * 7/2010 Yang D14/205
 D631,470 S * 1/2011 Yoneyama D14/223
 D637,998 S * 5/2011 Brunner D14/205
 D641,008 S * 7/2011 Lee D14/223
 D641,010 S * 7/2011 Kwon D14/223
 D643,830 S * 8/2011 Fish D14/205
 D652,822 S * 1/2012 Lee D14/223
 D667,817 S * 9/2012 Otani D14/223
 D668,632 S * 10/2012 Enquist D14/205
 D671,523 S * 11/2012 Daniel D14/206
 D678,242 S * 3/2013 Von Euler D14/205

D678,857 S * 3/2013 Feng D14/205
 D678,858 S * 3/2013 Feng D14/205
 D691,580 S * 10/2013 Cho D14/205
 D694,220 S * 11/2013 Lee D14/223
 D711,356 S * 8/2014 Yang D14/223
 D715,253 S * 10/2014 Lee D14/205
 D716,272 S * 10/2014 Yang D14/223
 D719,550 S * 12/2014 Yang D14/223
 D726,145 S * 4/2015 Hsieh D14/205
 D727,871 S * 4/2015 Orbach D14/205
 D741,299 S * 10/2015 Brunner D14/223
 D745,862 S * 12/2015 Otani D14/223
 D758,355 S * 6/2016 Lee D14/223
 D764,436 S * 8/2016 Dryden D14/205
 D767,532 S * 9/2016 Jen D14/205
 D774,490 S * 12/2016 Lin D14/205
 D778,257 S * 2/2017 Hu D14/205
 D785,594 S * 5/2017 Zaihui D14/205
 D790,501 S * 6/2017 Wang D14/205
 2007/0230735 A1 * 10/2007 Sung H04R 1/1058
 381/374
 2015/0350764 A1 * 12/2015 Briggs H04R 1/1033
 381/384
 2016/0037248 A1 * 2/2016 Cheng H04R 1/105
 381/74

* cited by examiner

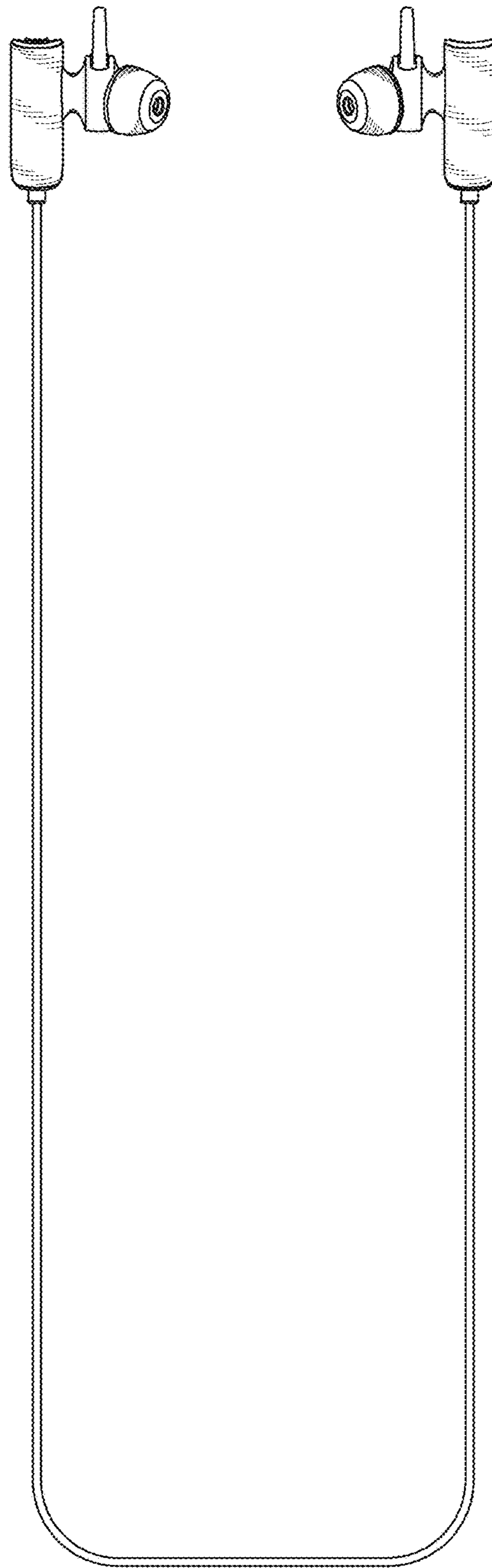


FIG.1

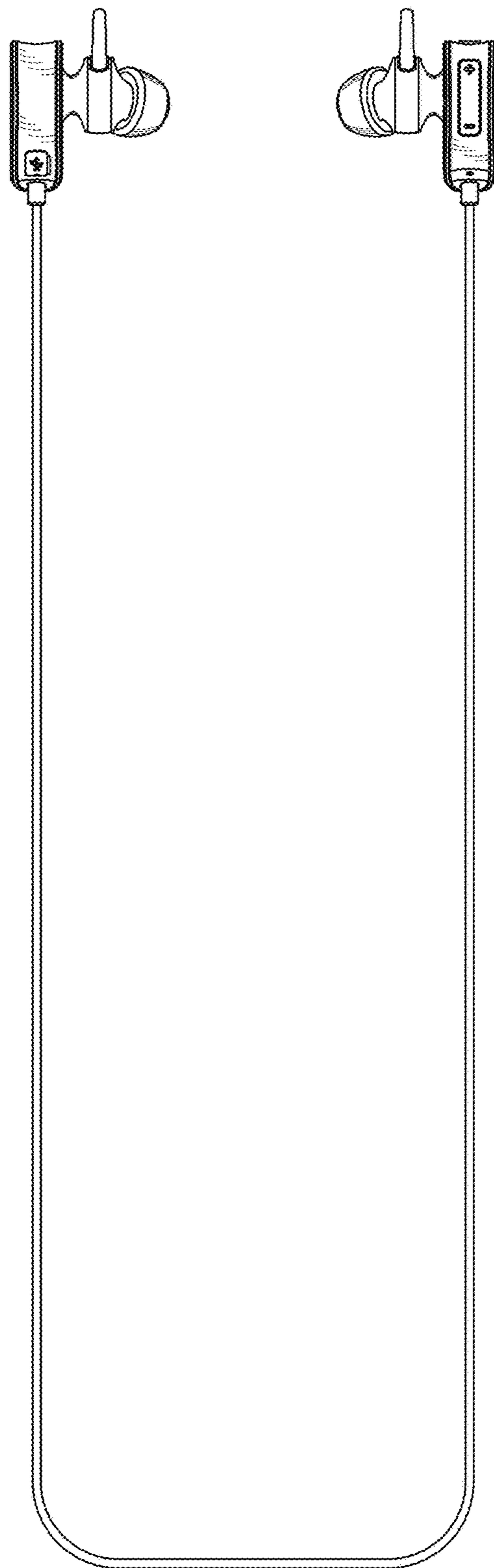


FIG.2

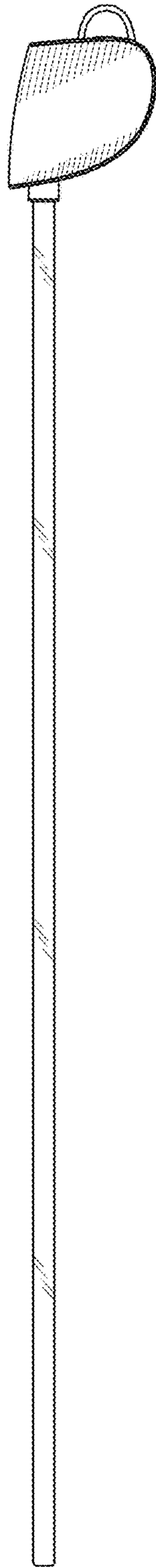


FIG.3

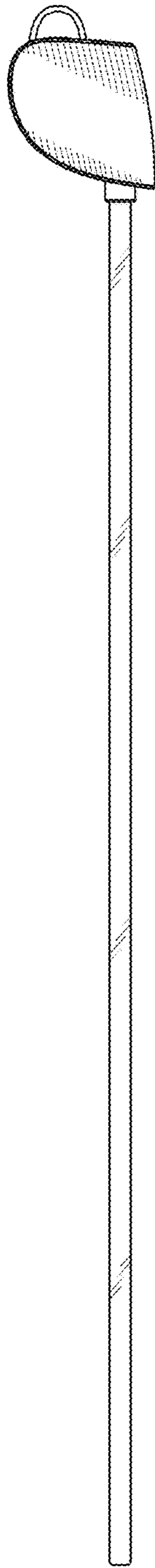


FIG.4

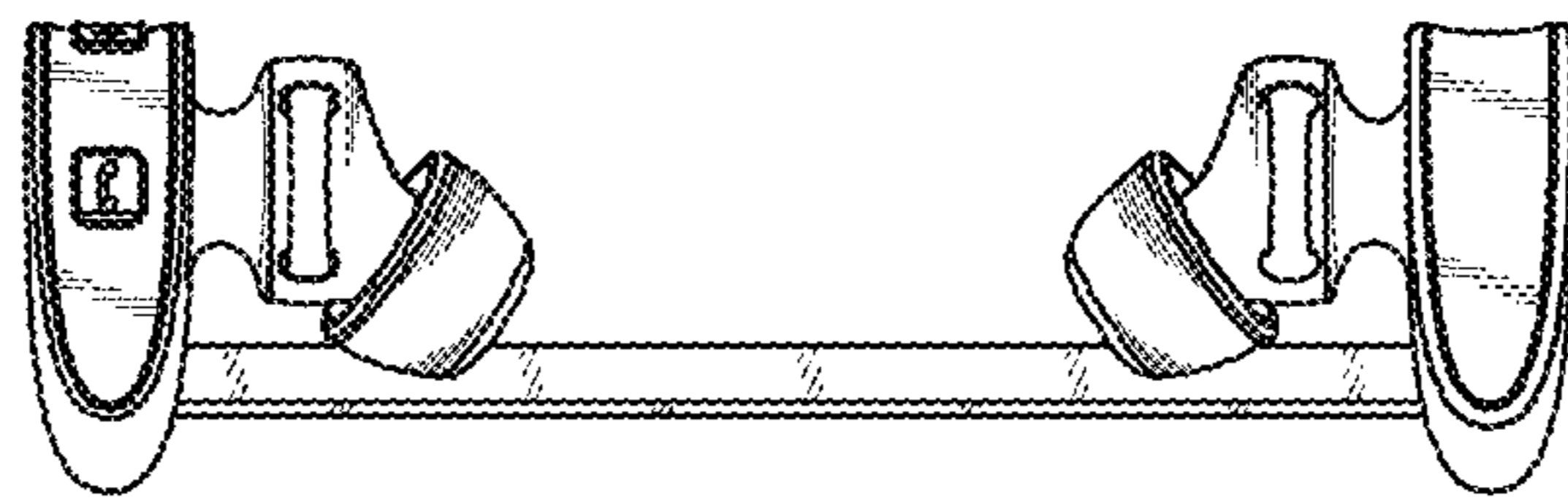


FIG.5

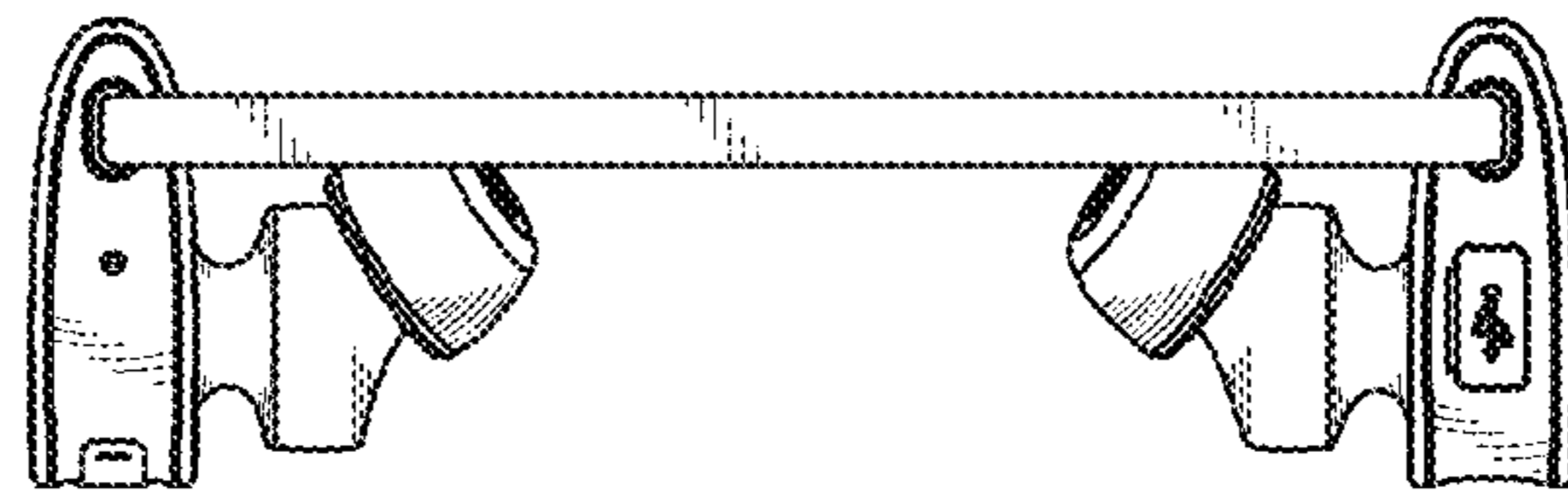


FIG. 6

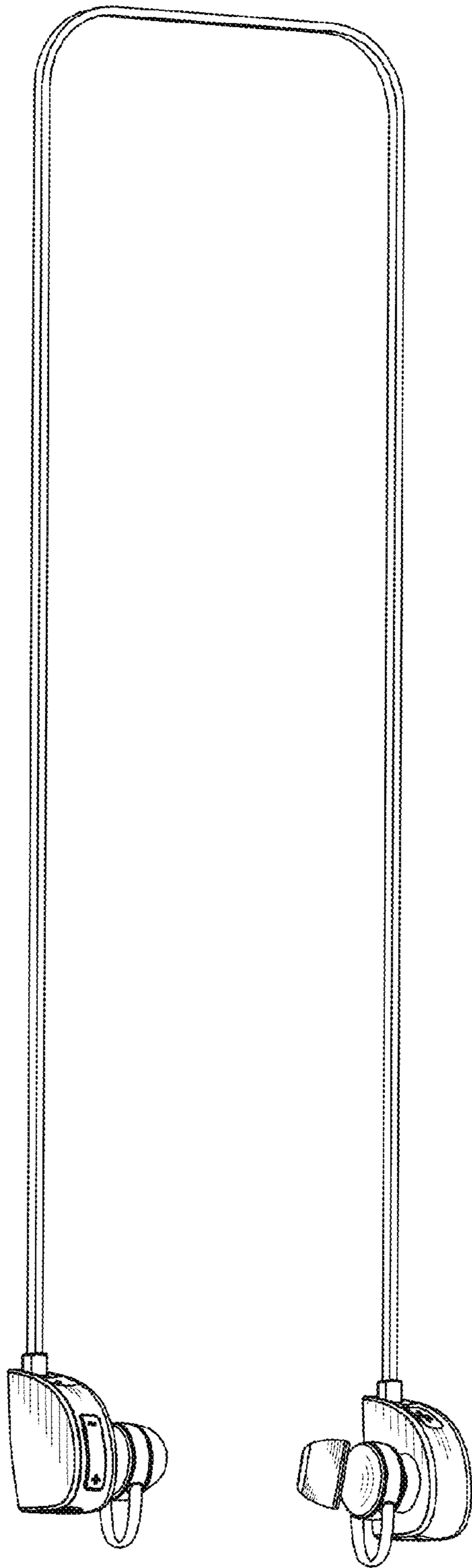


FIG.7

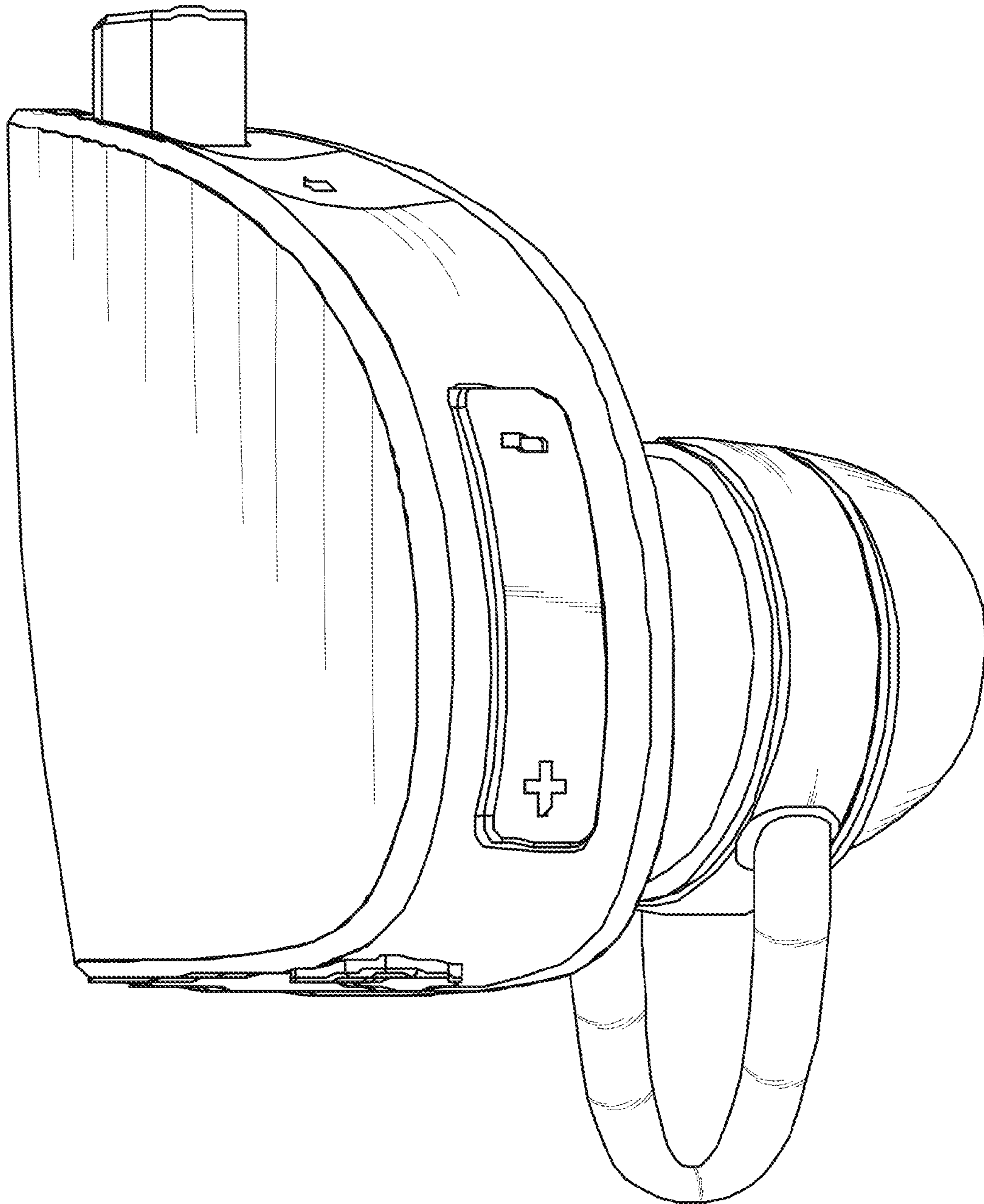


FIG.8

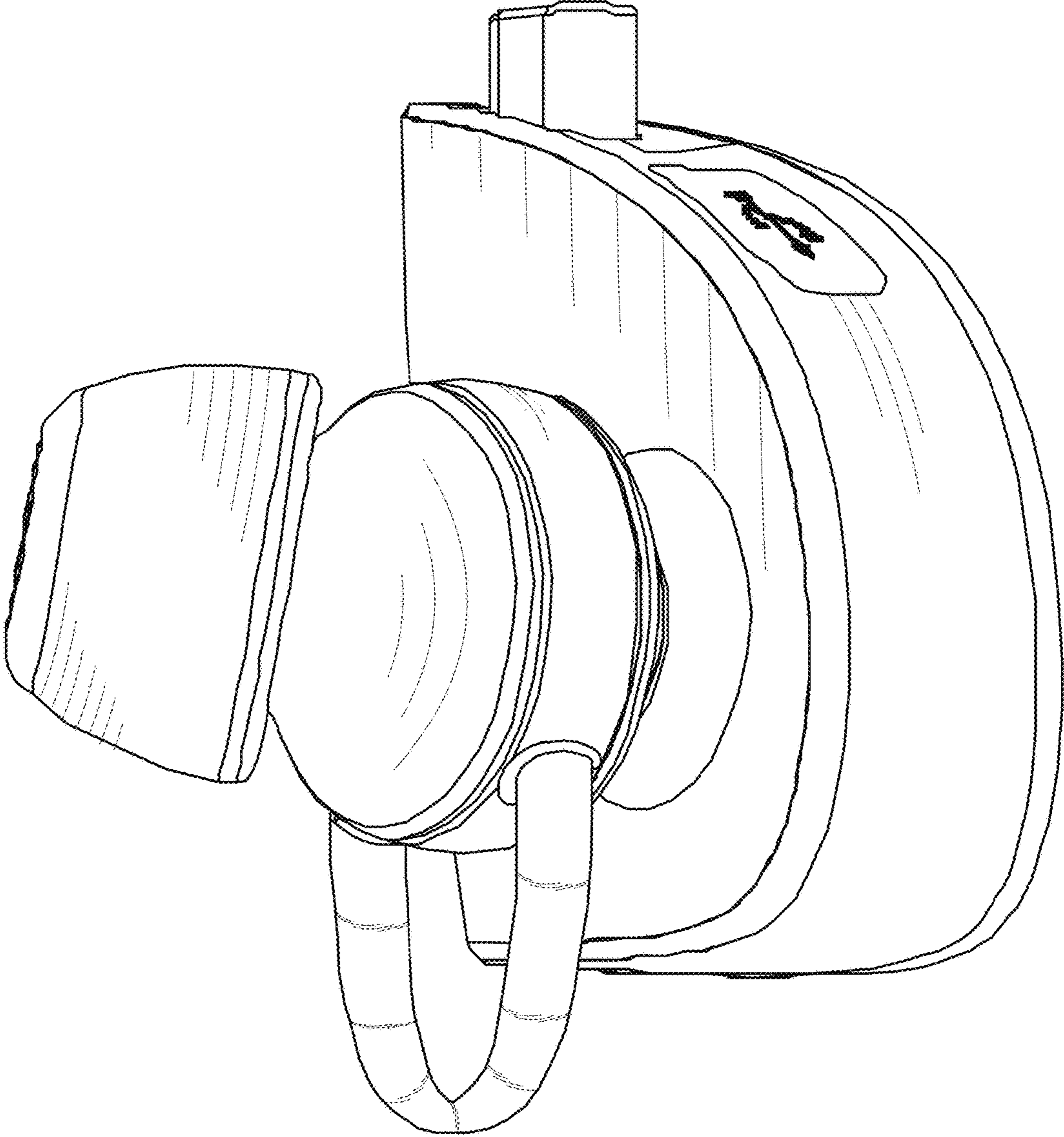


FIG.9