



US00D801299S

(12) **United States Design Patent** (10) **Patent No.:** **US D801,299 S**
Maas et al. (45) **Date of Patent:** **** Oct. 31, 2017**

(54) **JUKEBOX**

(71) Applicant: **AMI Entertainment Network, LLC**,
Trevose, PA (US)

(72) Inventors: **Michael G. Maas**, New Hope, PA
(US); **Jeffrey J. Kalis**, Sparta, MI (US);
Stephen Jarema, III, Pittsgrove, NJ
(US); **Mark Simpson**, Rockford, MI
(US)

(73) Assignee: **AMI ENTERTAINMENT
NETWORK LLC**, Trevose, PA (US)

(**) Term: **15 Years**

4,336,935 A	6/1982	Goldfarb	
D280,747 S	9/1985	Stasney	
4,643,421 A	2/1987	Meyer et al.	
D312,639 S	12/1990	Krakauer et al.	
D316,858 S	5/1991	Gobindram	
5,031,340 A	7/1991	Hilgarth	
D324,240 S	2/1992	Huang	
D325,420 S *	4/1992	Mirando	D21/325
D327,508 S *	6/1992	Mirando	D21/325
D327,687 S	7/1992	Arbiter	
D328,202 S	7/1992	Tippit	
D329,852 S	9/1992	Lee	
5,146,618 A	9/1992	Wenner	
D334,191 S	3/1993	Yun	
D340,407 S	10/1993	Rahe et al.	
D341,163 S *	11/1993	Cohen	D20/10
5,281,898 A	1/1994	Albright	

(Continued)

(21) Appl. No.: **29/579,747**

(22) Filed: **Oct. 3, 2016**

(51) **LOC (10) Cl.** **14-01**

(52) **U.S. Cl.**
USPC **D14/172**

(58) **Field of Classification Search**
USPC D14/172, 173, 203.1–203.7, 496, 188,
D14/265; D21/324, 325, 369;
273/148 B; 463/1, 28–35, 46, 47; 369/1,
369/6–12, 24.01, 30.06, 30.07, 30.08,
369/30.23; 710/1; 711/100, 111
CPC . A63F 9/24; A63F 13/00; G06F 17/00; G06F
19/00
See application file for complete search history.

Primary Examiner — Prabhakar Deshmukh
(74) *Attorney, Agent, or Firm* — Panitch Schwarze
Belisario & Nadel LLP

(57) **CLAIM**

The ornamental design for a jukebox, as shown and described.

DESCRIPTION

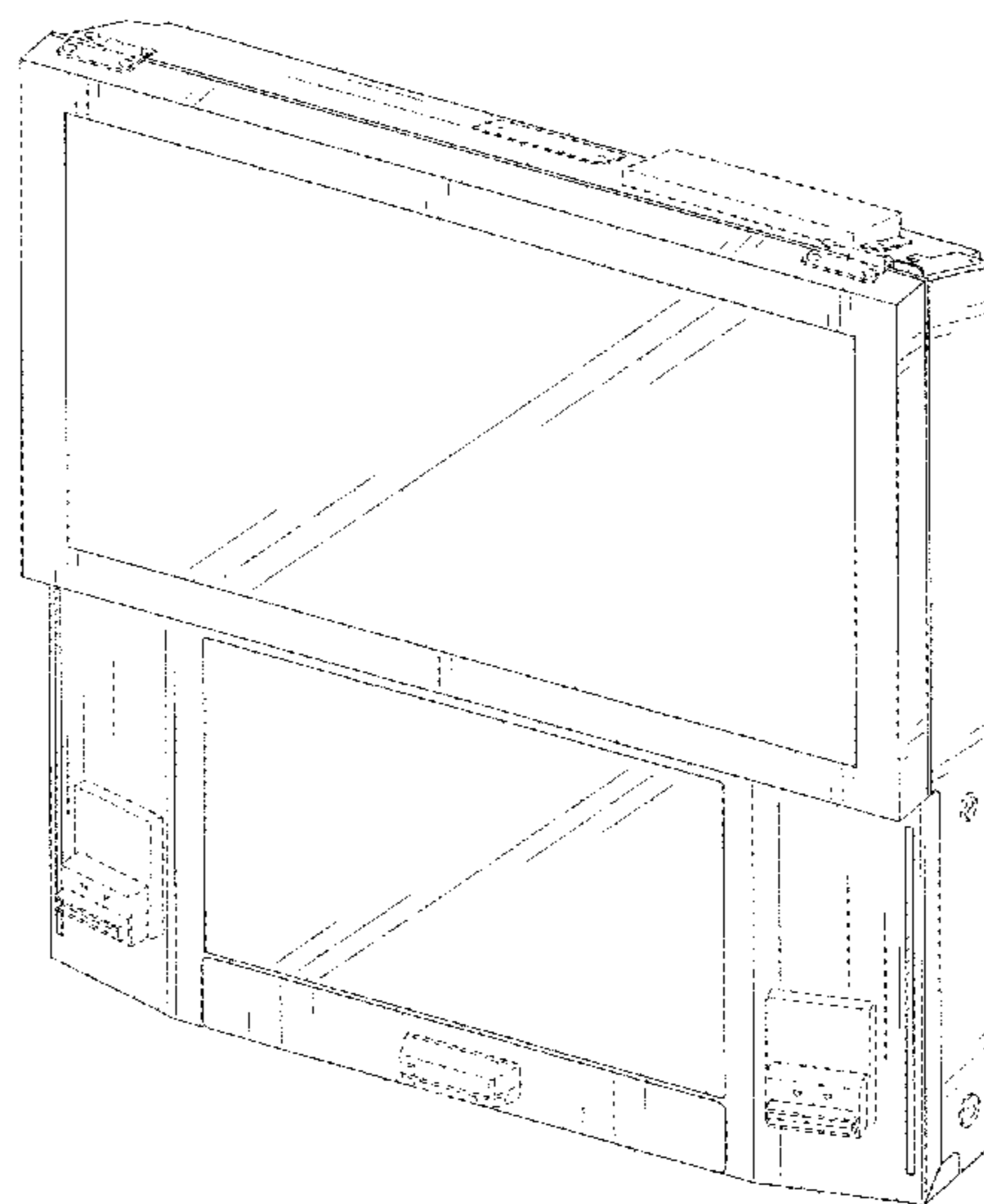
FIG. 1 is a front perspective view of a jukebox showing our new design;
FIG. 2 is a front elevational view thereof;
FIG. 3 is a left side elevational view thereof;
FIG. 4 is a right side elevational view thereof;
FIG. 5 is a top plan view thereof; and,
FIG. 6 is a bottom plan view thereof.
The broken lines in the figures are for the purpose of showing environmental structure, are for illustrative purposes only, and form no part of the claimed design.
The rear elevational view of the jukebox is not shown in the drawings or described in the specification and, therefore, forms no part of the claimed design.

1 Claim, 6 Drawing Sheets

(56) **References Cited**

U.S. PATENT DOCUMENTS

D146,176 S	1/1947	Fuller
D152,903 S	3/1949	Principe
D197,669 S	3/1964	Kenney et al.
D219,299 S	11/1970	Vickery
D220,807 S	5/1971	Sunderberg
3,878,631 A	4/1975	Mileham
D240,266 S	6/1976	O'Neil et al.



(56)

References Cited

U.S. PATENT DOCUMENTS

D344,979 S *	3/1994	Cohen	D20/10	D451,968 S	12/2001	Sano
5,331,614 A	7/1994	Ogawa et al.			6,346,951 B1	2/2002	Mastronardi
D355,676 S	2/1995	Wilson			D458,971 S	6/2002	Stephan
D356,079 S	3/1995	Oba			D459,336 S	6/2002	Ito et al.
5,411,257 A *	5/1995	Fulton	G07F 17/32	6,430,117 B2	8/2002	Zimmer
					D463,503 S	9/2002	Stephan
					6,461,239 B1	10/2002	Sagawa et al.
D374,895 S *	10/1996	Mochizuki	D21/327	6,508,707 B2	1/2003	DeMar et al.
5,591,081 A *	1/1997	Suzuki	A63F 1/18	D475,029 S	5/2003	Nathan et al.
				463/13	6,708,812 B2	3/2004	Greim
5,630,357 A	5/1997	Akiyama			6,714,489 B2	3/2004	Kalis et al.
5,651,681 A	7/1997	Chan			D494,188 S	8/2004	Huang
D381,983 S	8/1997	Nagai			6,779,904 B1	8/2004	Van Dyk
D382,915 S *	8/1997	Yang	D21/327	D495,755 S	9/2004	Wurz et al.
5,667,632 A	9/1997	Burton et al.			D498,558 S	11/2004	Kwok
5,700,195 A *	12/1997	Halic	G07F 17/32	D499,083 S	11/2004	Tanaka
				194/206	6,846,238 B2	1/2005	Wells
5,704,146 A	1/1998	Herring et al.			D510,584 S	10/2005	Tierney
D390,843 S	2/1998	Rosen			6,976,623 B1	12/2005	Mambakkam et al.
5,771,778 A	6/1998	MacLean, IV			D524,287 S	7/2006	Hibi
D397,335 S	8/1998	Matsushita			7,152,739 B1	12/2006	Burleson
5,813,914 A	9/1998	McKay et al.			D546,893 S	7/2007	Yamashita
5,820,460 A	10/1998	Fulton			D547,299 S	7/2007	Obata
5,851,147 A	12/1998	Stupak et al.			D560,651 S	1/2008	Berkheimer et al.
5,853,325 A *	12/1998	Kadlic	A63F 1/00	D590,449 S	4/2009	Ishii et al.
				273/292	D604,774 S	11/2009	De Viveiros Ortiz
D404,077 S *	1/1999	Dickenson	D21/369	D605,231 S	12/2009	Hashimoto et al.
D405,781 S	2/1999	Renk			D616,414 S	5/2010	Nathan et al.
D405,791 S	2/1999	Menke et al.			D617,389 S	6/2010	Wildner et al.
D408,410 S	4/1999	Zeitman			D618,285 S	6/2010	Ichimura et al.
5,951,397 A	9/1999	Dickinson			D619,177 S	7/2010	Lee
D419,606 S	1/2000	Toriyama			D619,659 S	7/2010	Damani
6,041,023 A	3/2000	Lakhansingh			D629,382 S	12/2010	Nathan et al.
6,048,271 A	4/2000	Barcelou			D642,553 S	8/2011	Nathan et al.
D425,508 S	5/2000	Fiebel et al.			D654,470 S	2/2012	Nathan et al.
D426,527 S	6/2000	Sakaguchi			D662,487 S	6/2012	Nathan et al.
6,079,985 A	6/2000	Wohl et al.			D665,375 S	8/2012	Garneau et al.
D428,062 S	7/2000	Hayashi			D670,675 S	11/2012	Garneau et al.
6,086,380 A	7/2000	Chu et al.			D686,591 S	7/2013	Garneau et al.
D439,931 S	4/2001	Yamaguchi			D689,461 S	9/2013	Garneau et al.
D442,152 S	5/2001	Roustaei			D704,160 S	5/2014	Garneau et al.
D449,346 S	10/2001	Gatto et al.			D722,039 S	2/2015	Garneau et al.
					D727,869 S	4/2015	Jarema, III et al.
					D775,603 S	1/2017	Tooker et al.

* cited by examiner

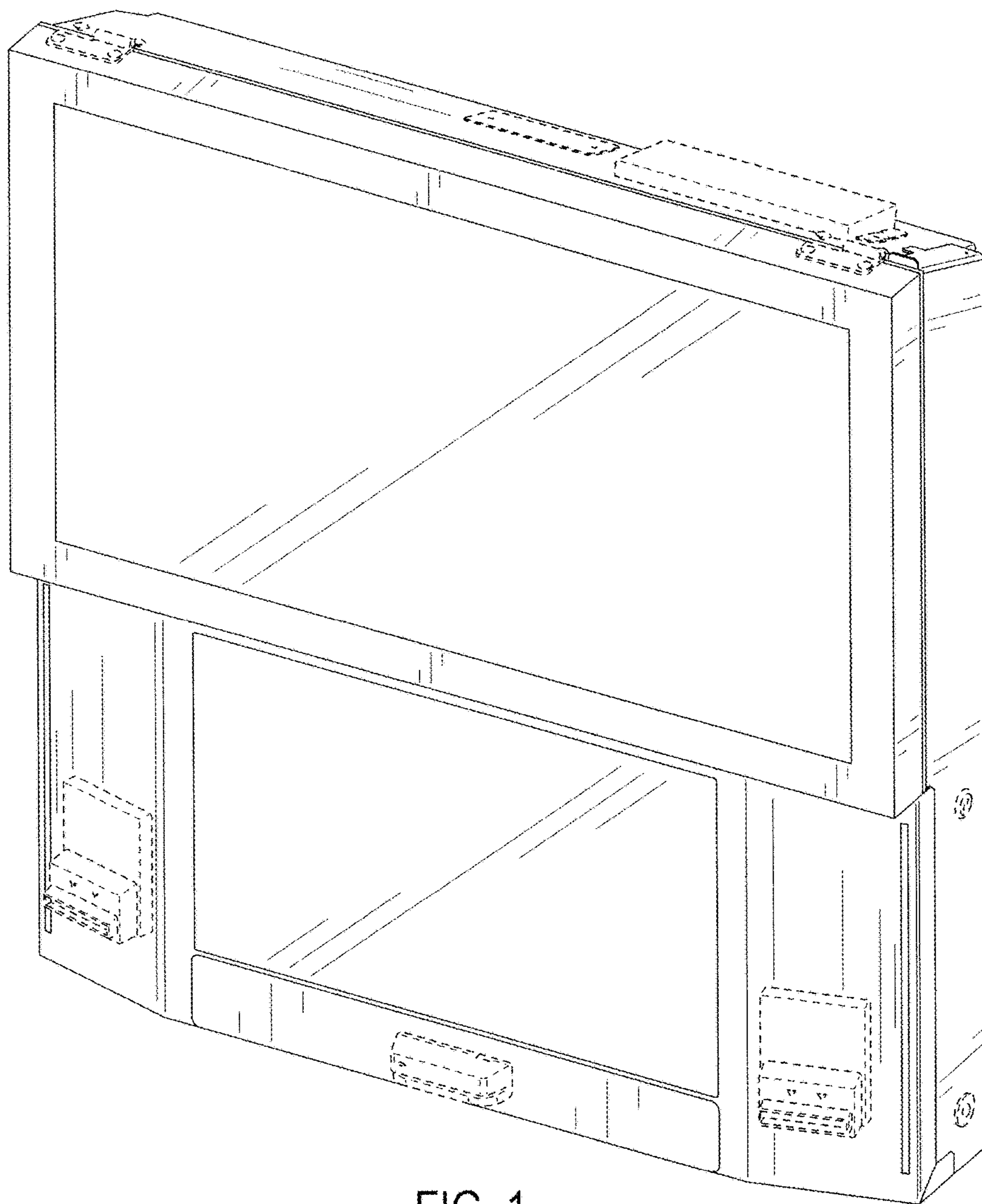


FIG. 1

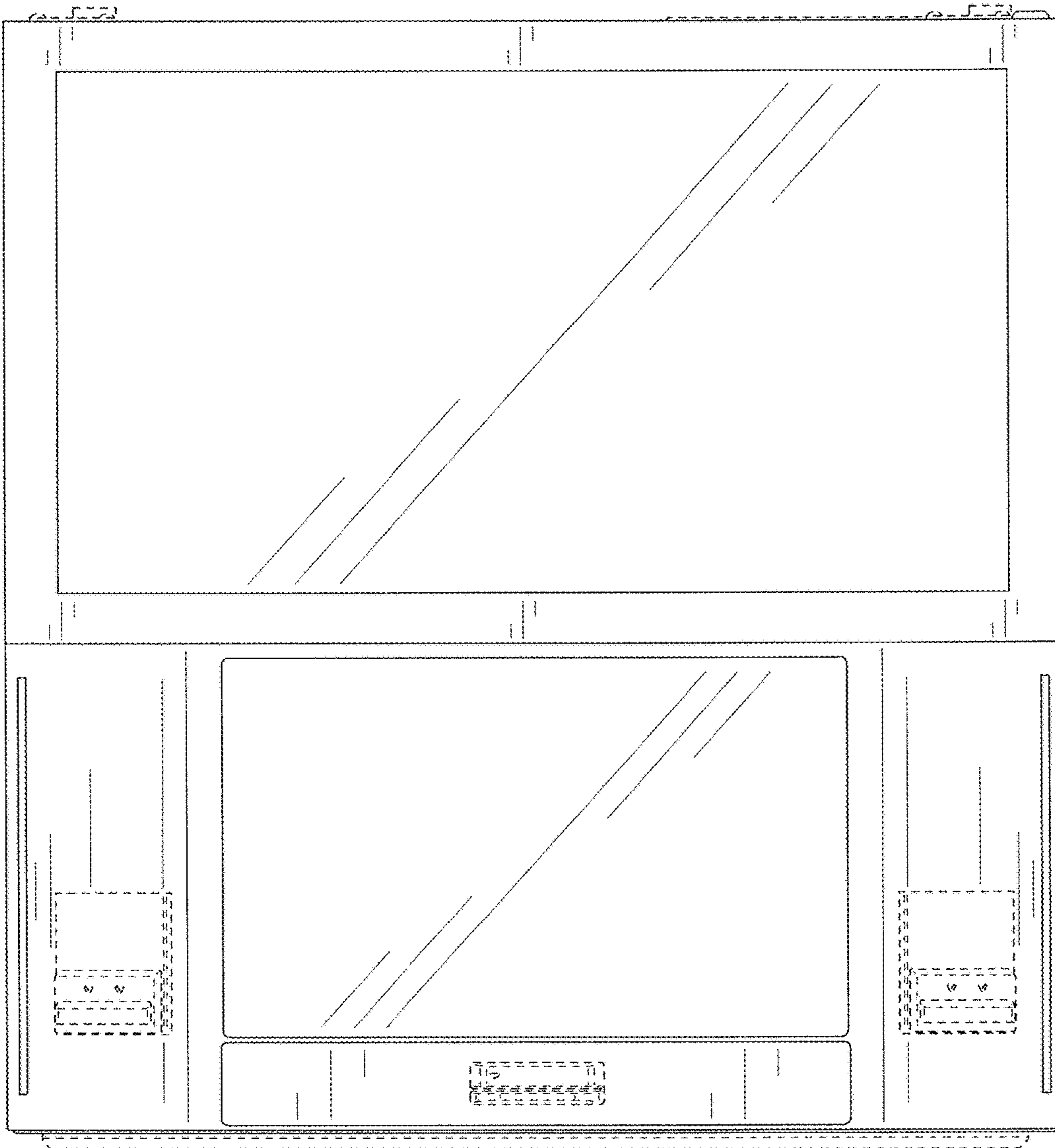


FIG. 2

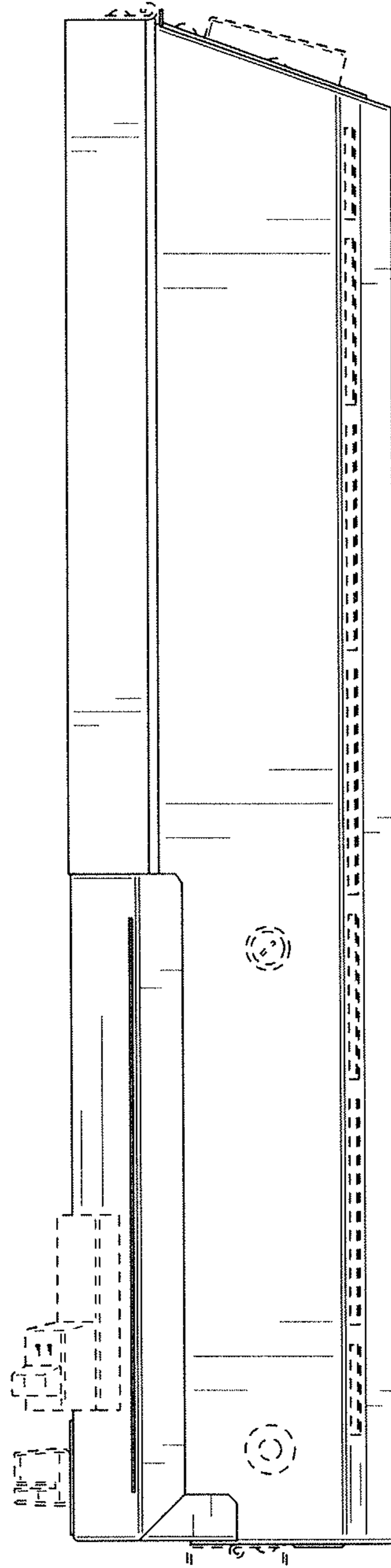


FIG. 3

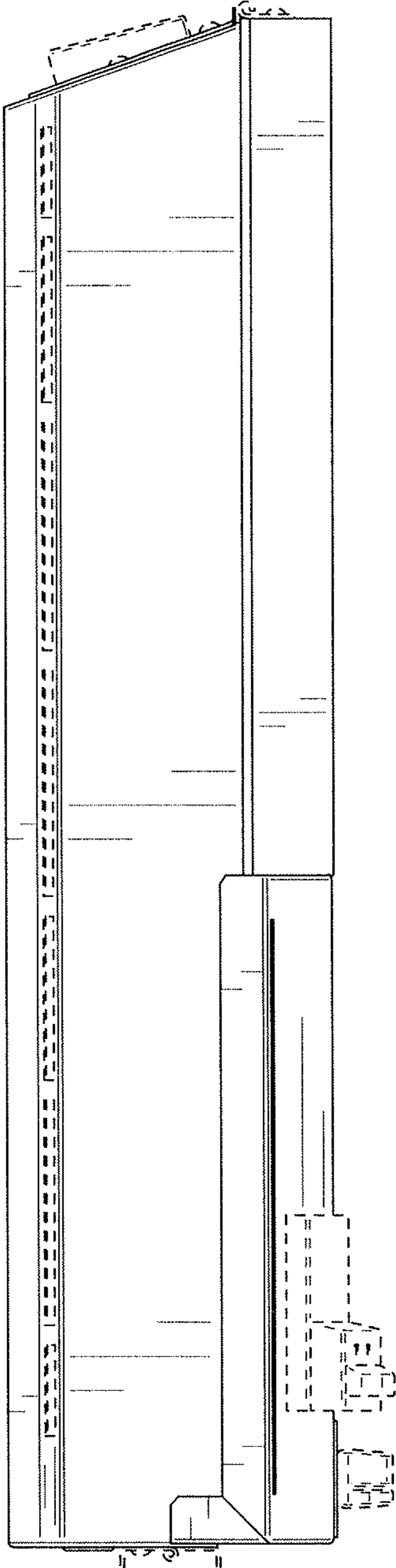


FIG. 4

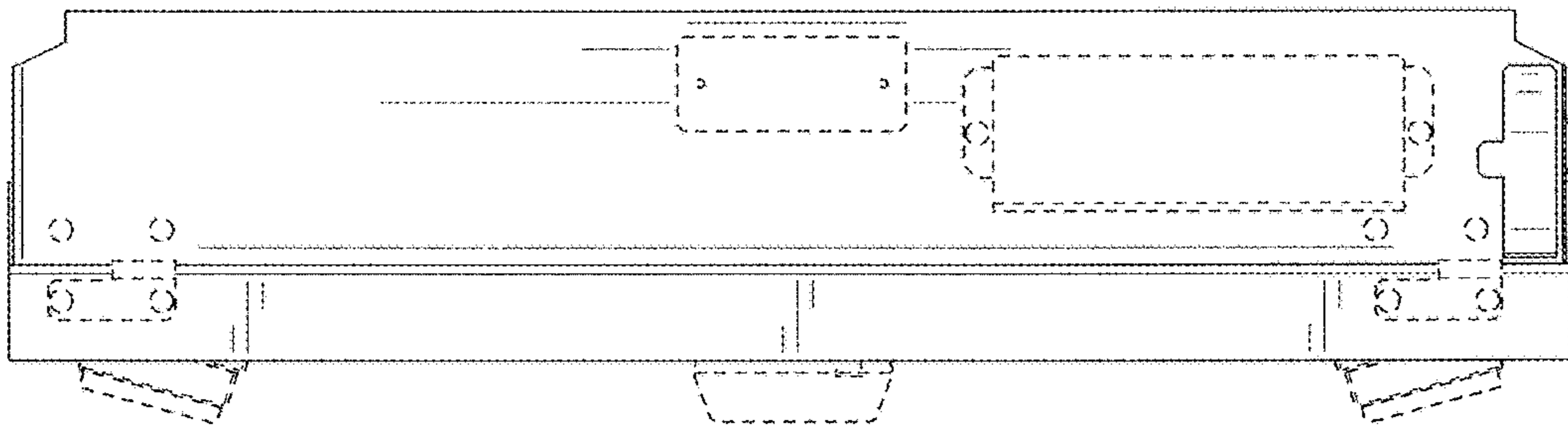


FIG. 5

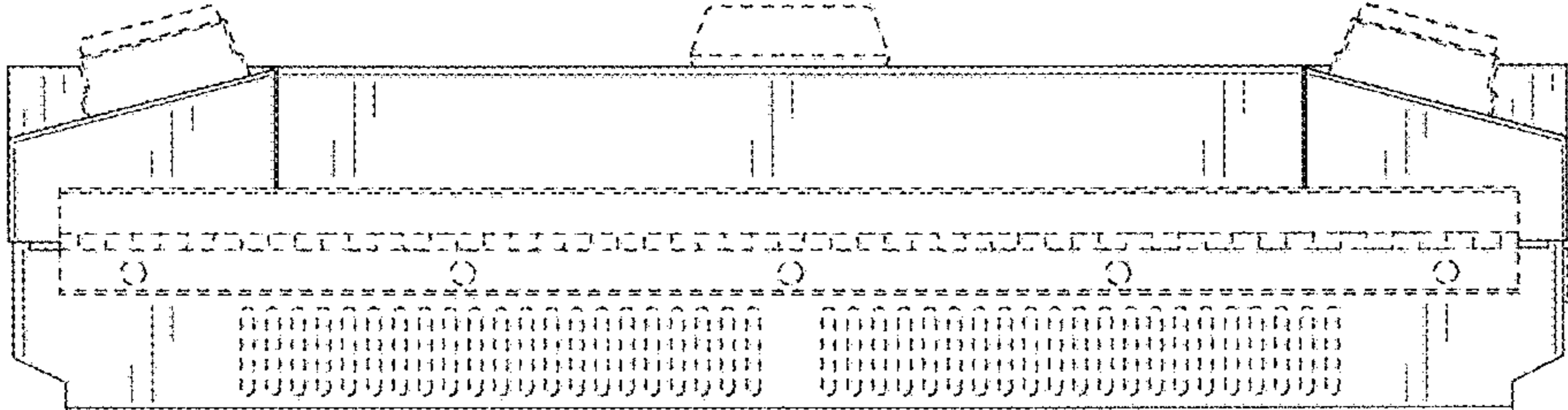


FIG. 6