



US00D801298S

(12) **United States Design Patent**
Katsuno

(10) **Patent No.:** **US D801,298 S**
(45) **Date of Patent:** **** Oct. 31, 2017**

(54) **IN-VEHICLE AUDIO PROCESSOR**

(71) Applicant: **CLARION CO., LTD.**, Saitama (JP)

(72) Inventor: **Keita Katsuno**, Matsudo (JP)

(73) Assignee: **CLARION CO., LTD.**, Saitama (JP)

(**) Term: **15 Years**

(21) Appl. No.: **29/556,445**

(22) Filed: **Mar. 1, 2016**

(30) **Foreign Application Priority Data**

Sep. 3, 2015 (JP) 2015-019586

(51) **LOC (10) Cl.** **14-03**

(52) **U.S. Cl.**
USPC **D14/157; D14/217**

(58) **Field of Classification Search**
USPC D14/157, 188-198, 217, 498-511;
455/344-346
See application file for complete search history.

(56) **References Cited**

U.S. PATENT DOCUMENTS

D266,326 S * 9/1982 Kikuhara D14/197
D266,508 S * 10/1982 Yamamoto D14/198

D324,687 S * 3/1992 Olson D14/217
D370,677 S * 6/1996 Olson D14/188
D480,696 S * 10/2003 Escorcia D14/157
D627,400 S * 11/2010 Suetake D21/332
D707,197 S * 6/2014 Jaenecke D14/157

* cited by examiner

Primary Examiner — Sandra Morris

(74) *Attorney, Agent, or Firm* — McDermott Will & Emery LLP

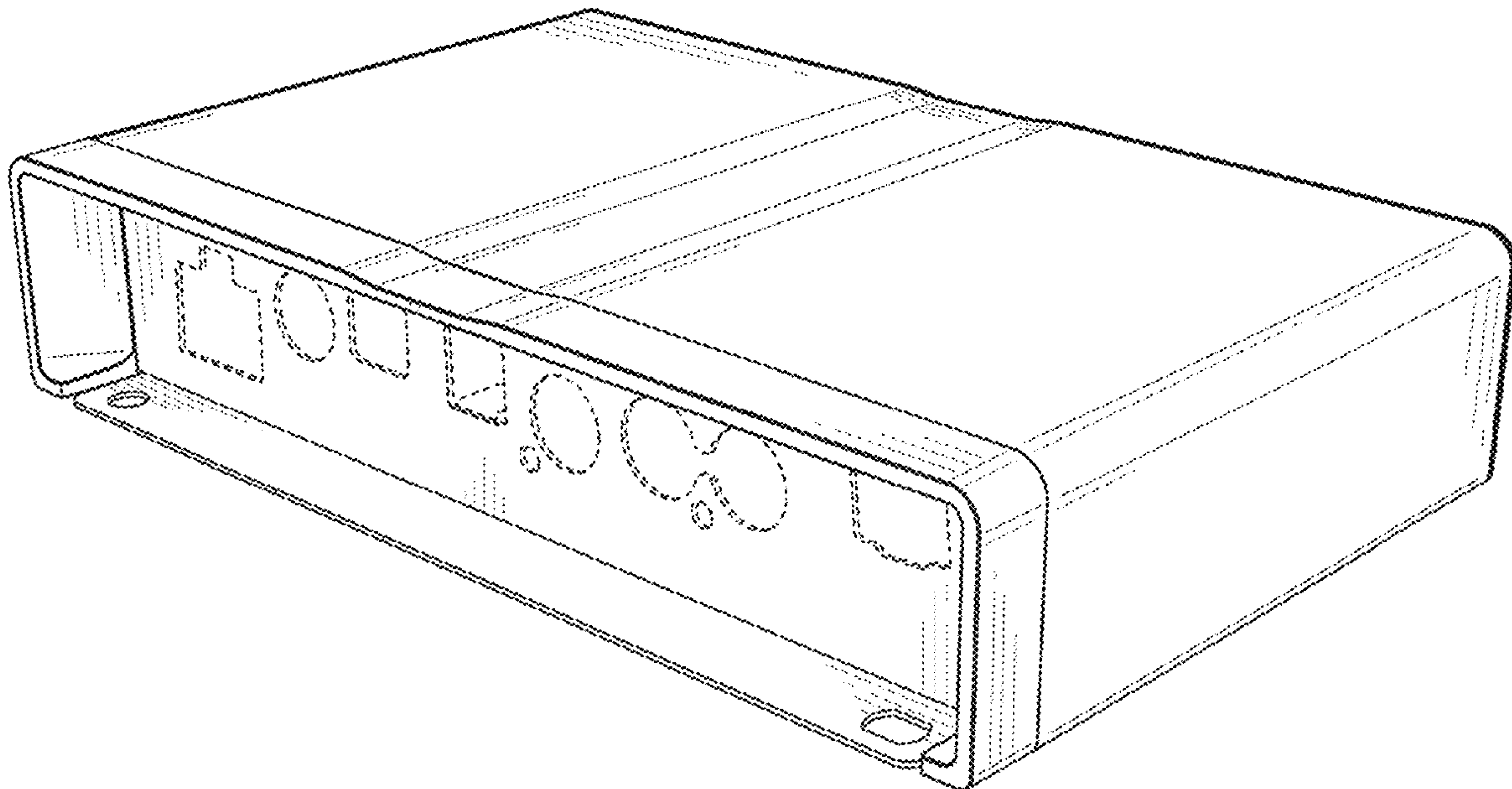
(57) **CLAIM**

The ornamental design for an in-vehicle audio processor, as shown and described.

DESCRIPTION

FIG. 1 is a front view of an in-vehicle audio processor showing my new design;
FIG. 2 is a rear view thereof;
FIG. 3 is a top view thereof;
FIG. 4 is a bottom view thereof;
FIG. 5 is a left-side view thereof;
FIG. 6 is a right-side view thereof;
FIG. 7 is a first perspective view thereof; and,
FIG. 8 is a second perspective view thereof.

1 Claim, 8 Drawing Sheets



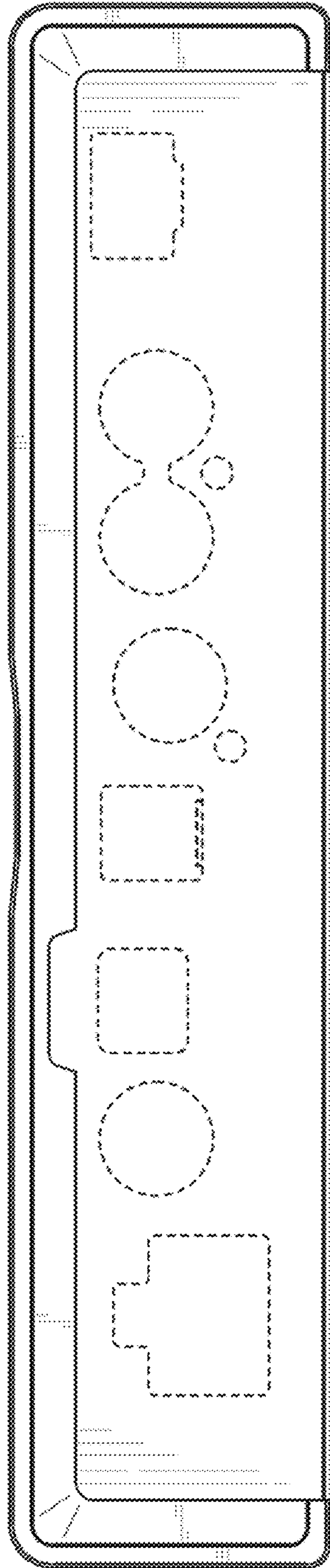


FIG. 1

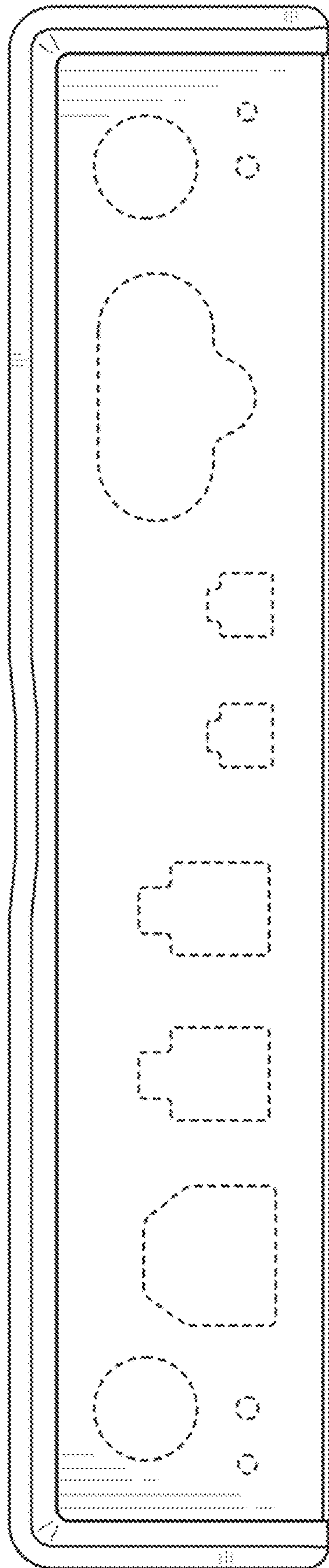


FIG. 2

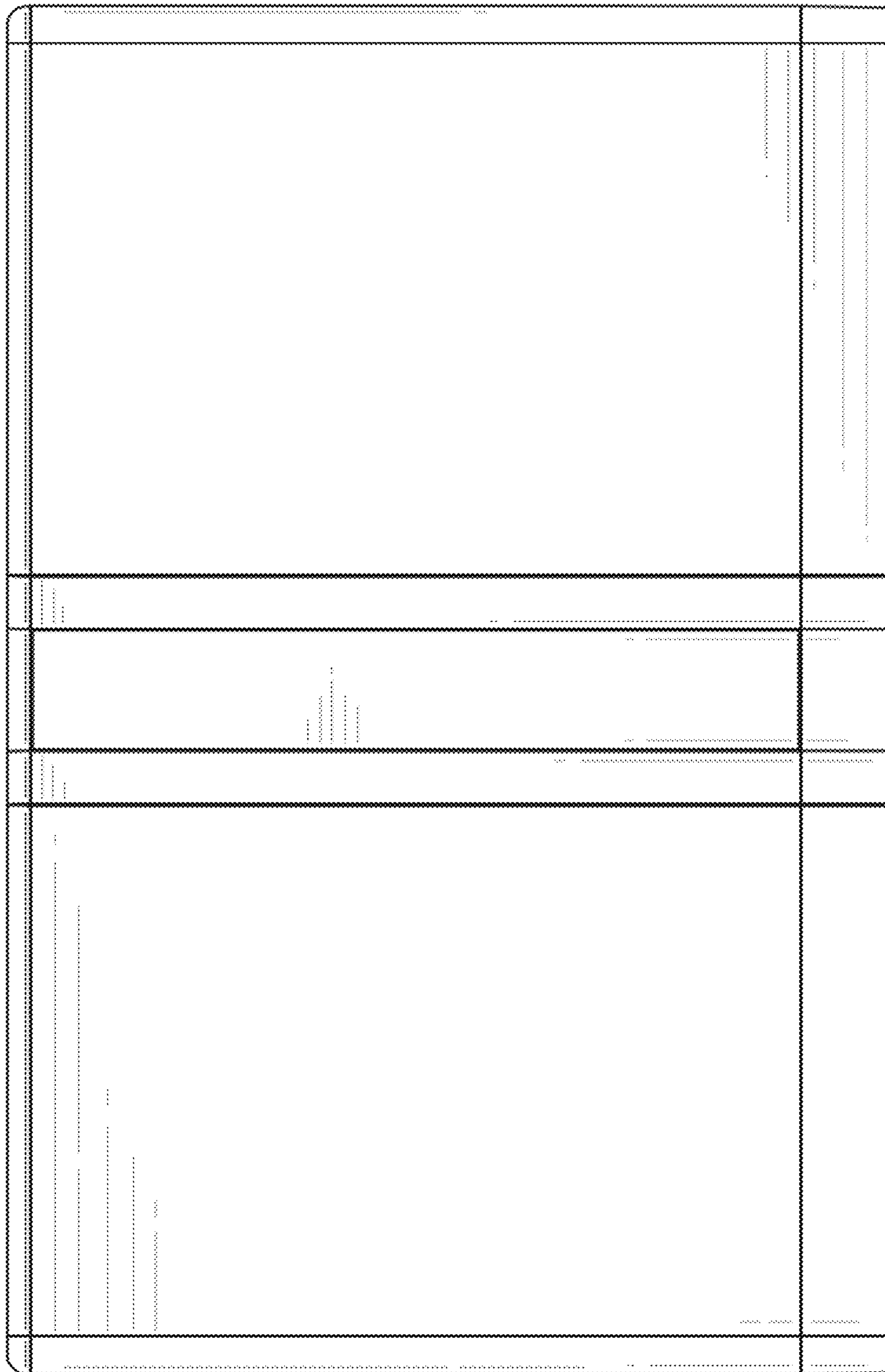


FIG. 3

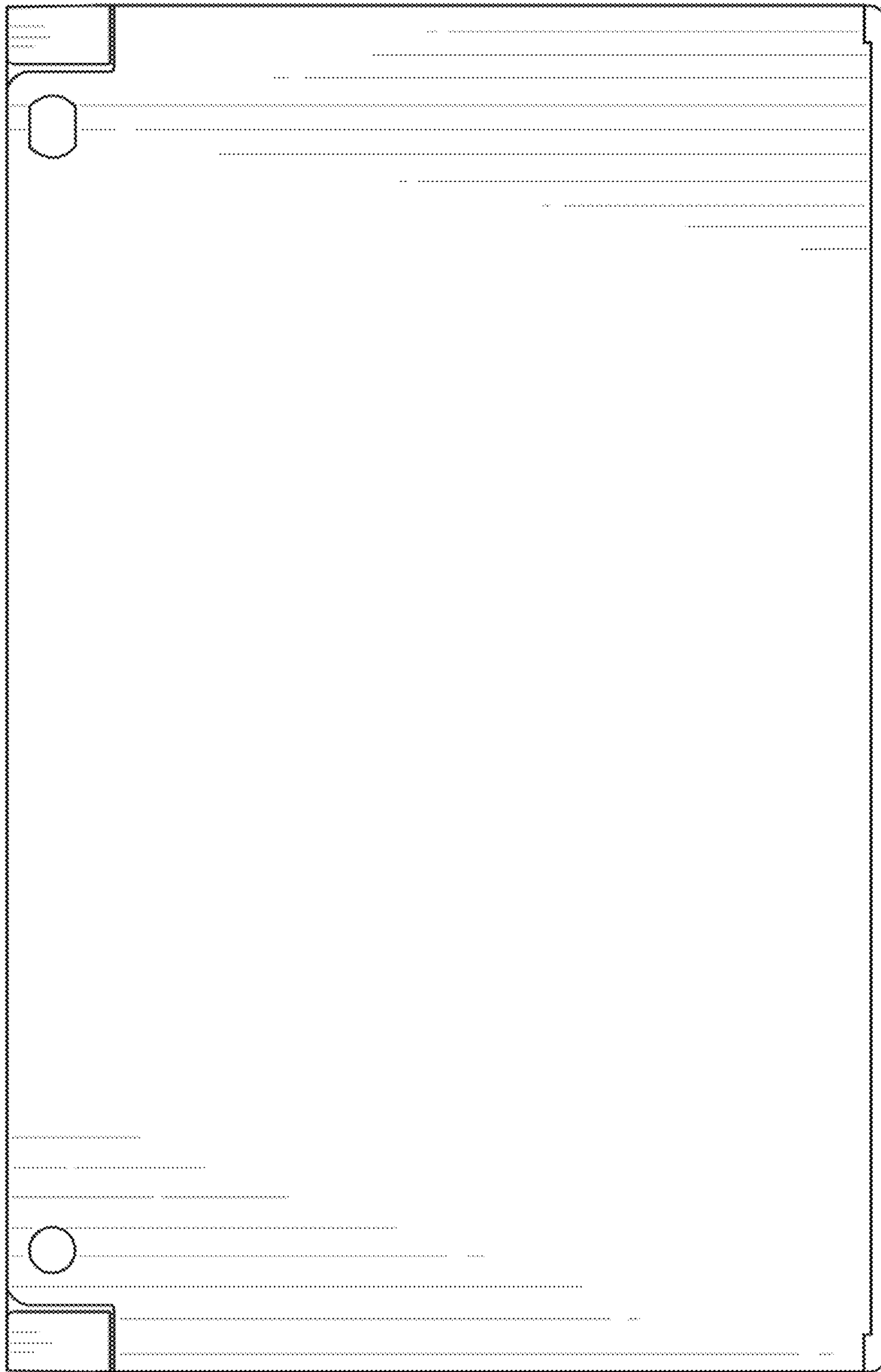


FIG. 4

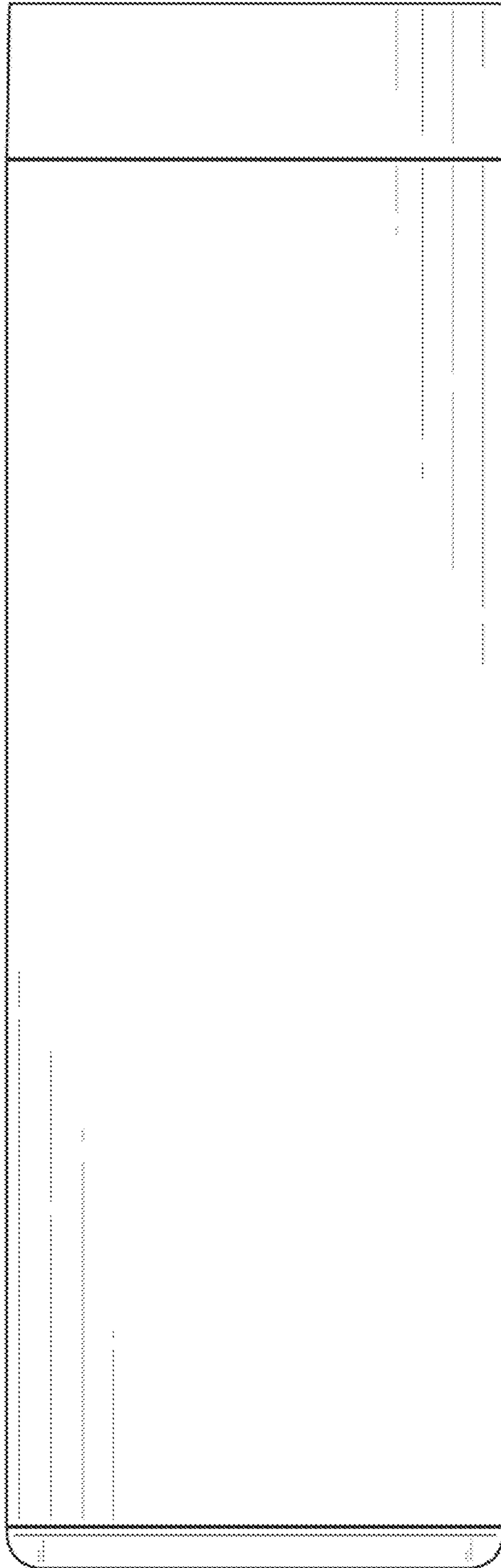


FIG. 5

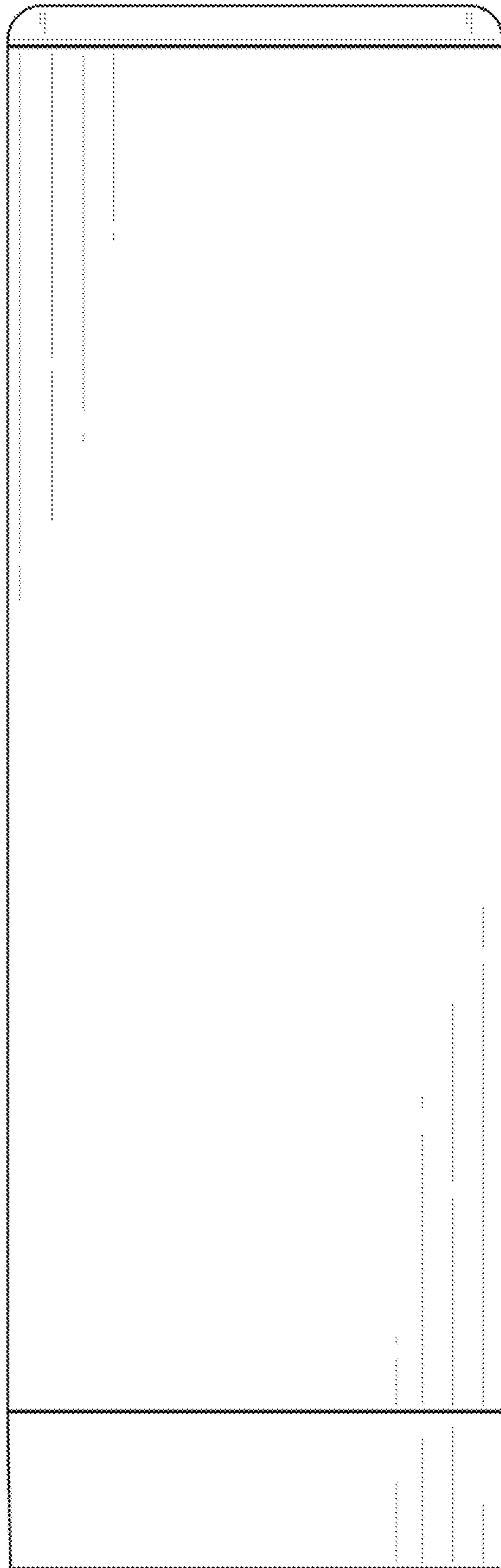


FIG. 6

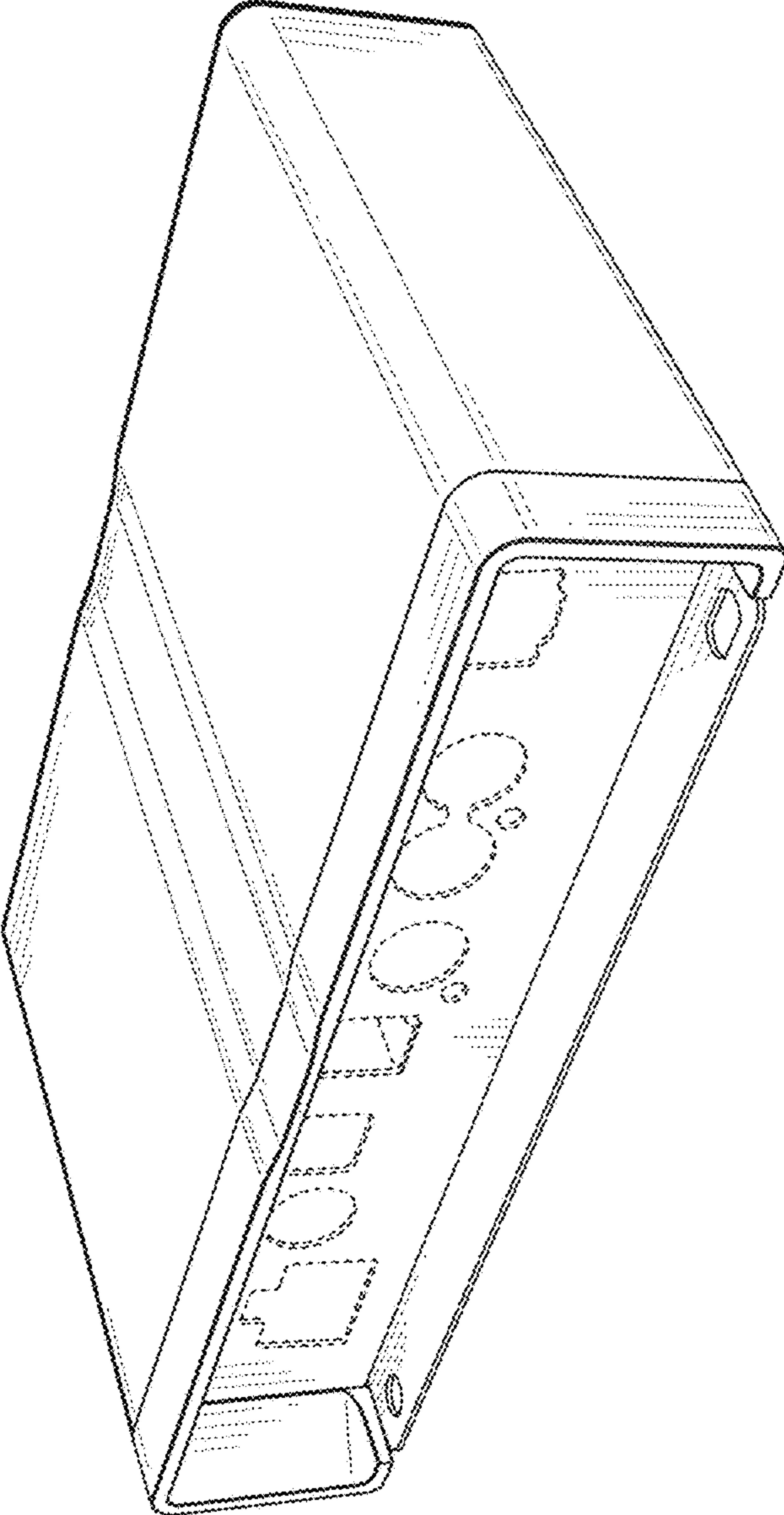


FIG. 7

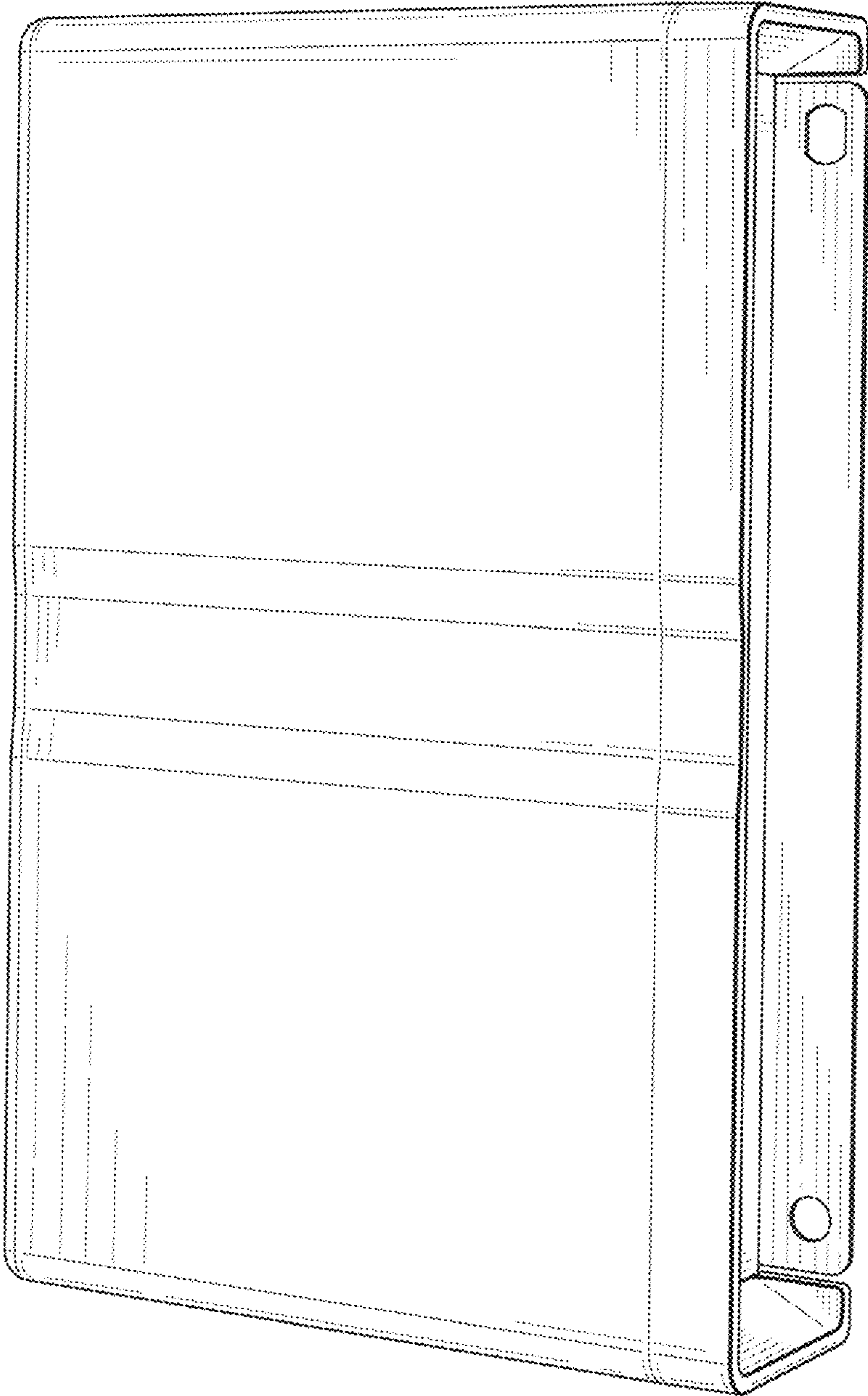


FIG. 8