



US00D801290S

(12) **United States Design Patent** (10) **Patent No.:** **US D801,290 S**
Goto et al. (45) **Date of Patent:** **** *Oct. 31, 2017**

(54) **LIGHT-EMITTING DIODE**

(56) **References Cited**

(71) Applicants: **CITIZEN ELECTRONICS CO., LTD.**, Yamanashi-ken (JP); **CITIZEN WATCH CO., LTD.**, Tokyo (JP)

U.S. PATENT DOCUMENTS

(72) Inventors: **Satoshi Goto**, Yamanashi-ken (JP); **Tatsuro Yamada**, Yamanashi-ken (JP); **Yuki Nishikawa**, Shiga-ken (JP)

D618,635	S	6/2010	Imai	
D658,603	S	5/2012	Egawa	
D660,812	S	5/2012	Sasano	
D669,041	S	10/2012	Imai	
D683,708	S	6/2013	Sasano	
D714,236	S	9/2014	Watanabe	
D727,860	S *	4/2015	Watanabe	D13/180
9,046,226	B2	6/2015	Shimozawa	
9,130,140	B2	9/2015	Tsuchiya	
9,231,023	B2	1/2016	Agatani	
D762,182	S *	7/2016	Akiyama	D13/180
D766,196	S *	9/2016	Akiyama	D13/180
2013/0193462	A1	8/2013	Ishizaki	

(73) Assignees: **CITIZEN ELECTRONICS CO., LTD.**, Yamanashi-Ken (JP); **CITIZEN WATCH CO., LTD.**, Tokyo (JP)

(*) Notice: This patent is subject to a terminal disclaimer.

* cited by examiner

(**) Term: **15 Years**

Primary Examiner — Selina Sikder

(21) Appl. No.: **29/569,660**

(74) *Attorney, Agent, or Firm* — Wenderoth, Lind & Ponack, L.L.P.

(22) Filed: **Jun. 29, 2016**

Related U.S. Application Data

(57) **CLAIM**

(62) Division of application No. 29/504,423, filed on Oct. 6, 2014, now Pat. No. Des. 766,196.

The ornamental design for a light-emitting diode, as shown and described.

(51) **LOC (10) Cl.** **13-03**

(52) **U.S. Cl.**
USPC **D13/180**

DESCRIPTION

(58) **Field of Classification Search**
USPC D13/180; D26/1
CPC ... H01L 25/167; H01L 25/0753; H01L 27/15;
H01L 27/156; H01L 31/02; H01L 33/00;
H01L 33/04; H01L 33/08; H01L 33/10;
H01L 33/20; H01L 33/38; H01L 33/42;
H01L 33/4862; H01L 33/483; H01L
33/486

FIG. 1 is a top perspective view of a light-omitting diode; FIG. 2 is a front view thereof; FIG. 3 is a rear view thereof; FIG. 4 is a top plan view thereof; FIG. 5 is a bottom plan view thereof; FIG. 6 is a left side view thereof; and, FIG. 7 is a right side view thereof.

See application file for complete search history.

1 Claim, 3 Drawing Sheets

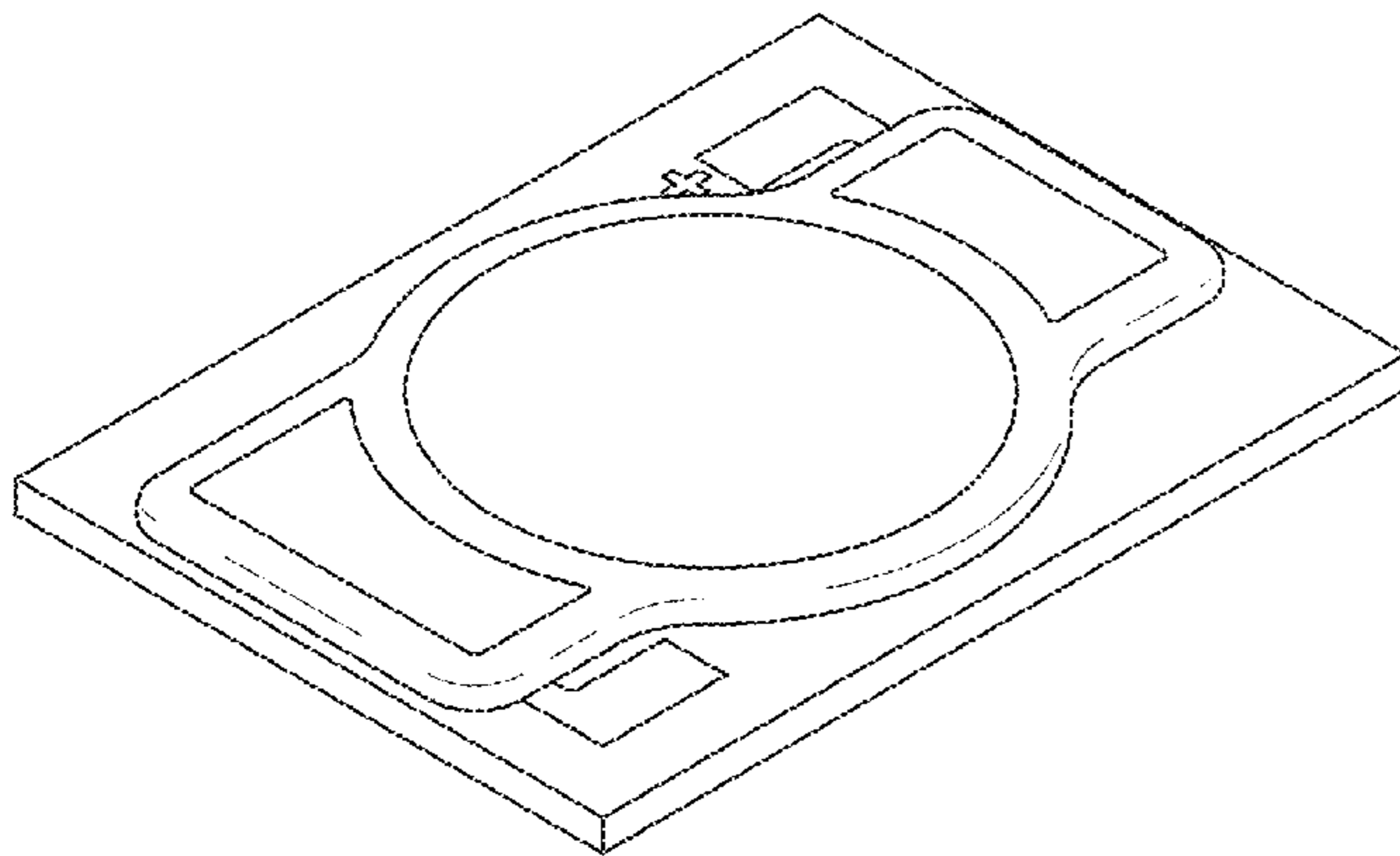


Fig. 1

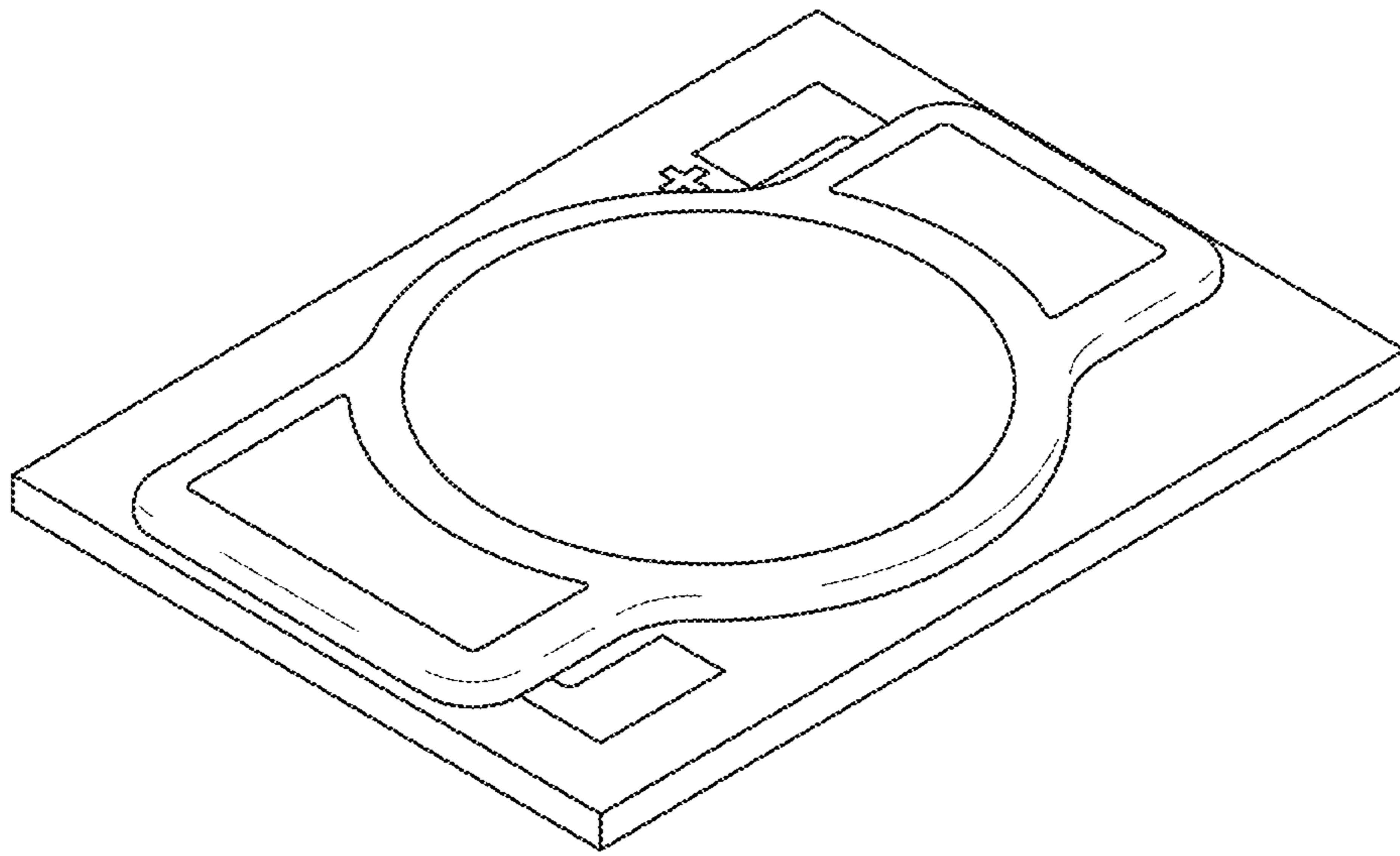


Fig. 2

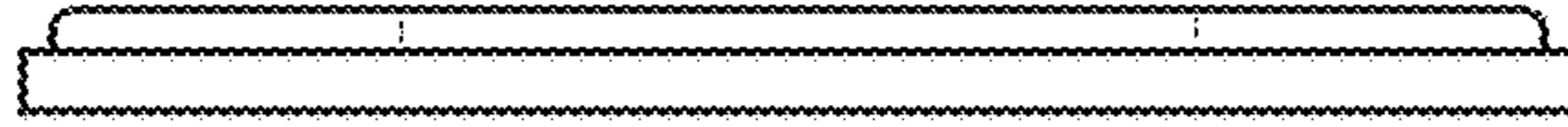


Fig. 3



Fig. 4

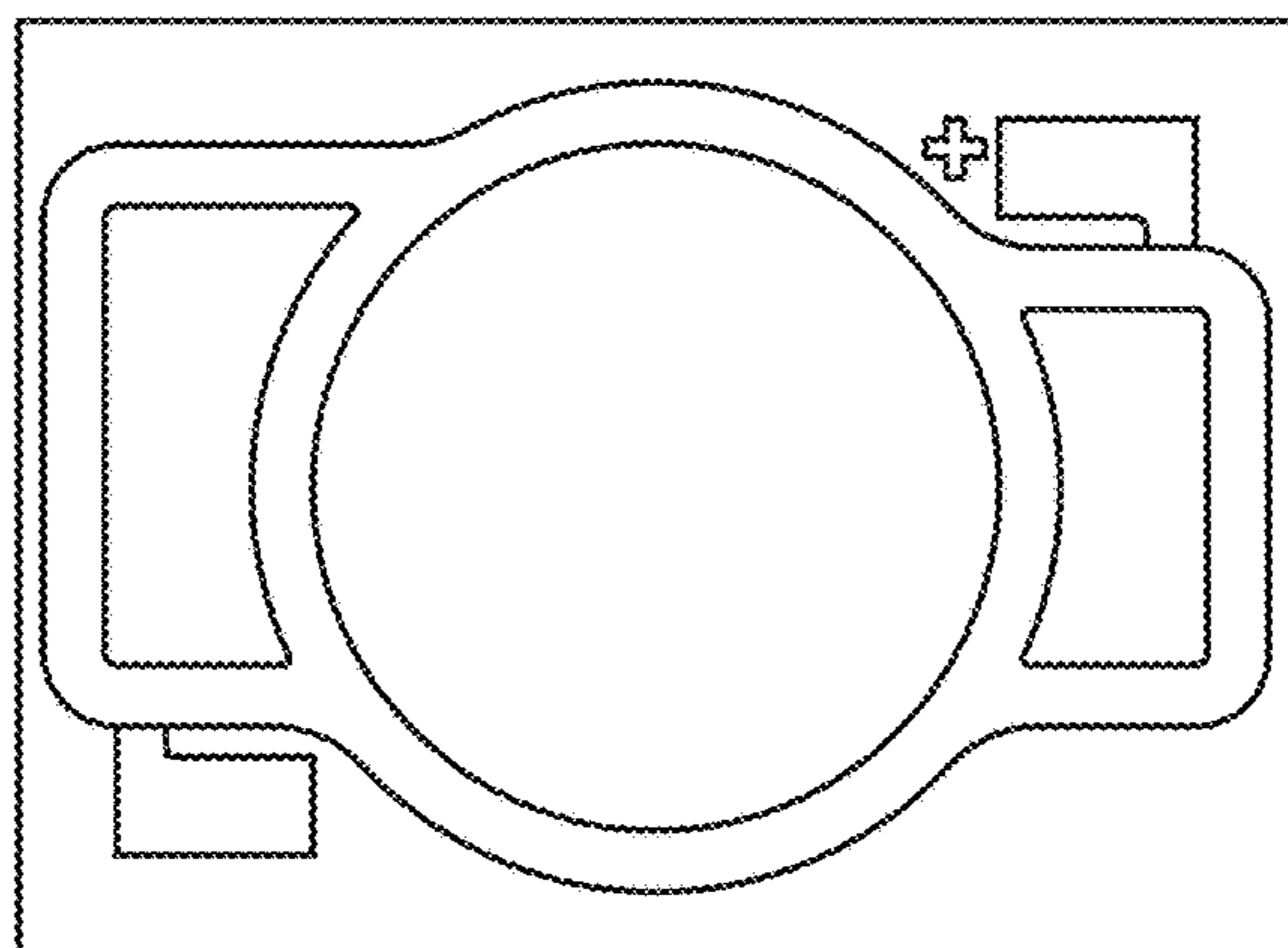


Fig. 5

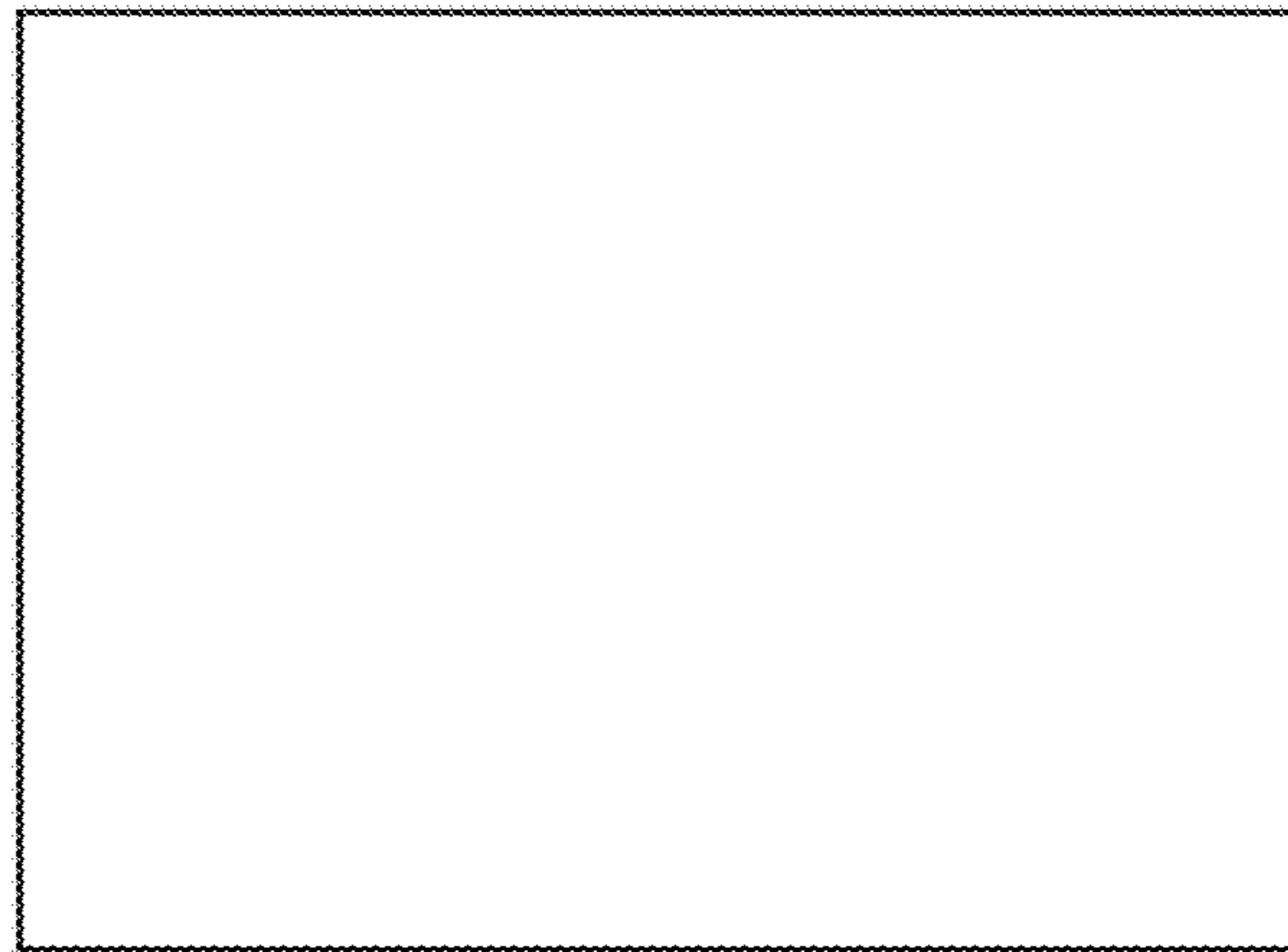


Fig. 6

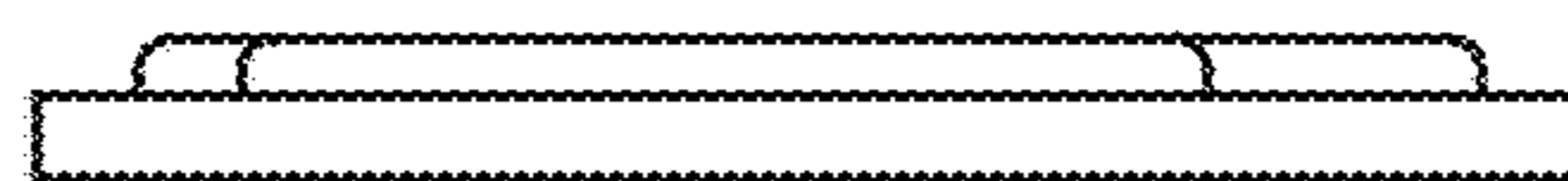


Fig. 7

