



US00D801289S

(12) **United States Design Patent** (10) **Patent No.:** **US D801,289 S**  
**Minale et al.** (45) **Date of Patent:** **\*\* Oct. 31, 2017**

(54) **SWITCH PLATE**

(71) Applicant: **Buster and Punch Limited**, London (GB)

(72) Inventors: **Massimo Minale**, London (GB); **Iain Dulley**, London (GB)

(73) Assignee: **Buster and Punch Limited**, London (GB)

(\*\*) Term: **15 Years**

(21) Appl. No.: **29/588,290**

(22) Filed: **Dec. 20, 2016**

**Related U.S. Application Data**

(62) Division of application No. 29/527,388, filed on May 19, 2015, now Pat. No. Des. 776,628.

(30) **Foreign Application Priority Data**

Apr. 23, 2015	(EM)	002688093-0001
Apr. 23, 2015	(EM)	002688093-0002
Apr. 23, 2015	(EM)	002688093-0003
Apr. 23, 2015	(EM)	002688093-0004
Apr. 23, 2015	(EM)	002688093-0005
Apr. 23, 2015	(EM)	002688093-0006
Apr. 23, 2015	(EM)	002688093-0007
Apr. 23, 2015	(EM)	002688093-0008
Apr. 23, 2015	(EM)	002688093-0009
Apr. 23, 2015	(EM)	002688093-00010

(Continued)

(51) **LOC (10) Cl.** ..... **13-03**

(52) **U.S. Cl.**  
USPC ..... **D13/169**

(58) **Field of Classification Search**

USPC ..... D13/162, 169, 173, 177  
CPC ..... H01H 3/04; H01H 21/36; H01H 25/00;  
H01H 25/04; H01H 25/06; H01H 23/00;  
H01H 23/02; H01H 23/04; H01H 23/08;

(Continued)

(56) **References Cited**

U.S. PATENT DOCUMENTS

1,857,379 A 5/1932 Hubbell  
4,347,758 A 9/1982 Geil

(Continued)

*Primary Examiner* — Selina Sikder

(74) *Attorney, Agent, or Firm* — Fleit Gibbons Gutman Bongini & Bianco PL; Paul D. Bianco

(57) **CLAIM**

The ornamental design for a switch plate, as shown and described.

**DESCRIPTION**

FIG. 1 is a perspective view of a first embodiment of a switch plate according to the present invention.

FIG. 2 is a front view of the switch plate of FIG. 1.

FIG. 3 is a top view of the switch plate of FIG. 1. The bottom view is identical to the top view.

FIG. 4 is a first side view of the switch plate of FIG. 1. The opposite side view is identical.

FIG. 5 is a perspective view of a second embodiment of a switch plate according to the present invention.

FIG. 6 is a front view of the switch plate of FIG. 5.

FIG. 7 is a top view of the switch plate of FIG. 5. The bottom view is identical to the top view.

FIG. 8 is a first side view of the switch plate of FIG. 5. The opposite side view is identical.

FIG. 9 is a perspective view of a third embodiment of a switch plate according to the present invention.

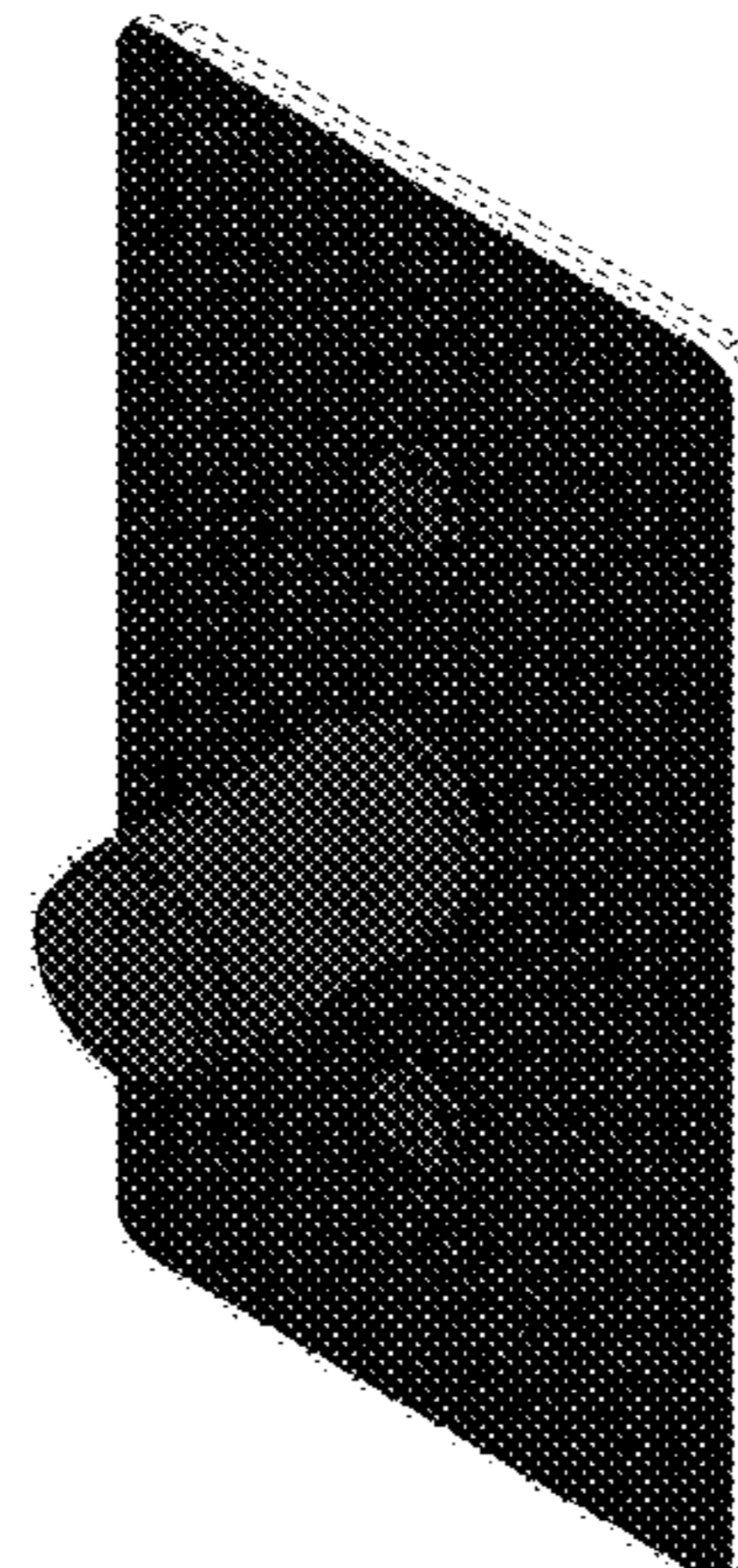
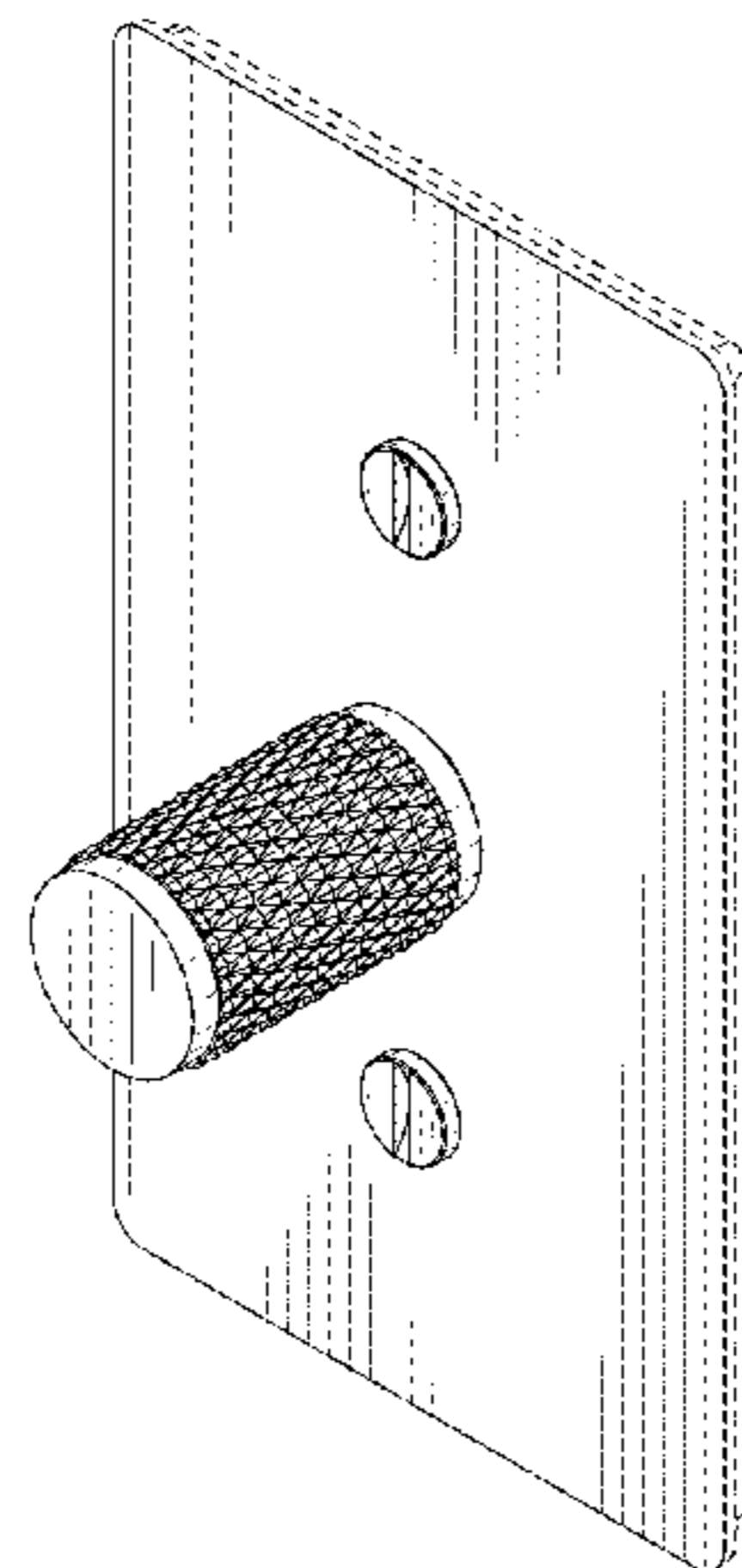
FIG. 10 is a front view of the switch plate of FIG. 9.

FIG. 11 is a top view of the switch plate of FIG. 9. The bottom view is identical to the top view; and,

FIG. 12 is a first side view of the switch plate of FIG. 9. The opposite side view is identical.

The broken lines in the drawings do not form part of the claimed design.

**1 Claim, 6 Drawing Sheets**



(30) **Foreign Application Priority Data**

Apr. 23, 2015 (EM) ..... 002688093-00011  
Apr. 23, 2015 (EM) ..... 002688093-00012

(58) **Field of Classification Search**

CPC .... H01H 23/14; H01H 23/146; H01H 23/148;  
H01H 23/16; H01H 23/162; H01H  
23/164; H01H 23/168; H01H 36/006;  
G05G 1/04

See application file for complete search history.

(56) **References Cited**

U.S. PATENT DOCUMENTS

6,392,170	B1	5/2002	Wechsler	
6,710,273	B1	3/2004	Skarlupka	
6,713,693	B1	3/2004	Sadowski	
D513,237	S	12/2005	Langner	
D633,875	S	3/2011	Bauer	
7,977,594	B1	7/2011	Miserendino	
9,331,688	B2	5/2016	Moreau	
D776,628	S *	1/2017	Minale	..... D13/169
2005/0045464	A1	3/2005	Eisenhower	

\* cited by examiner

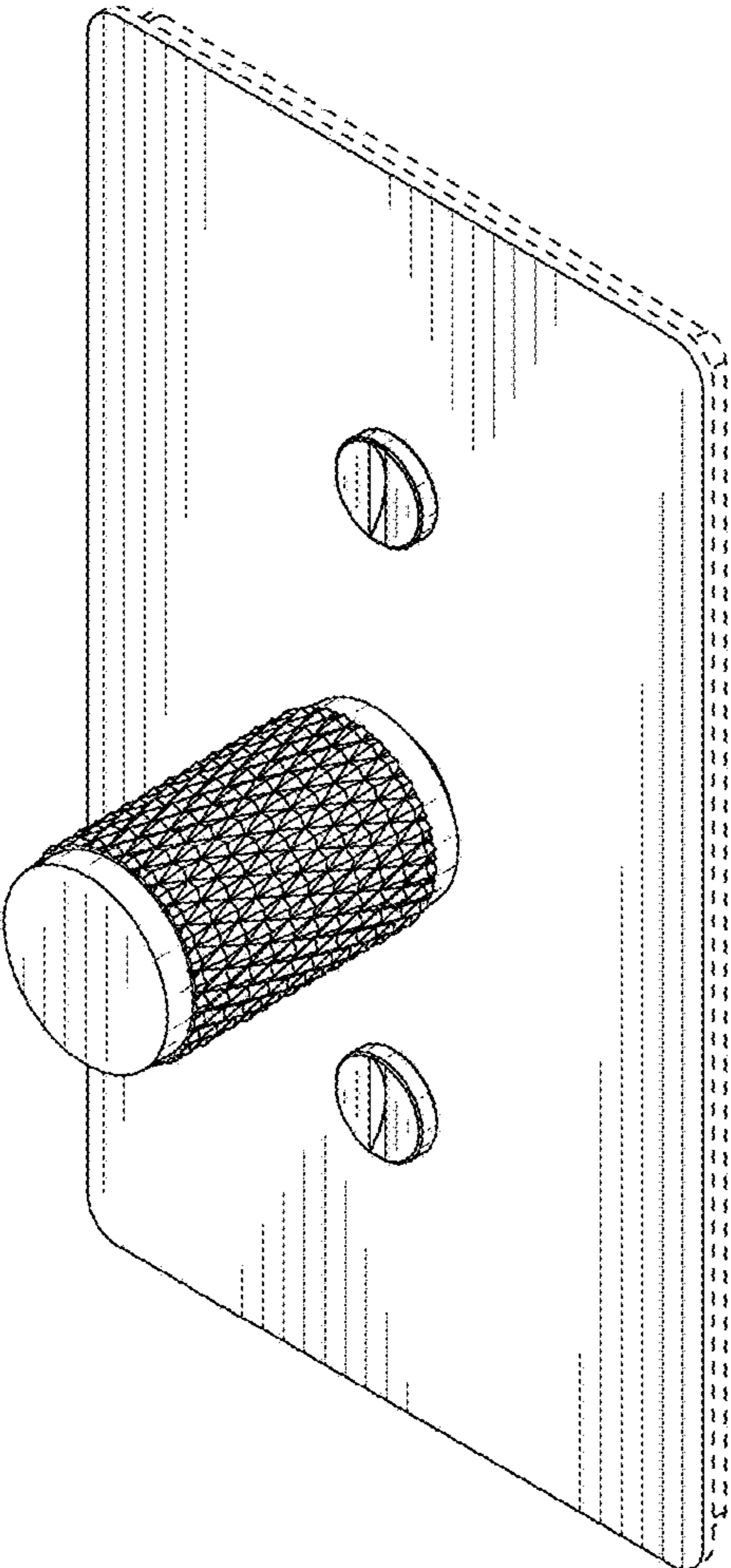


FIG. 1

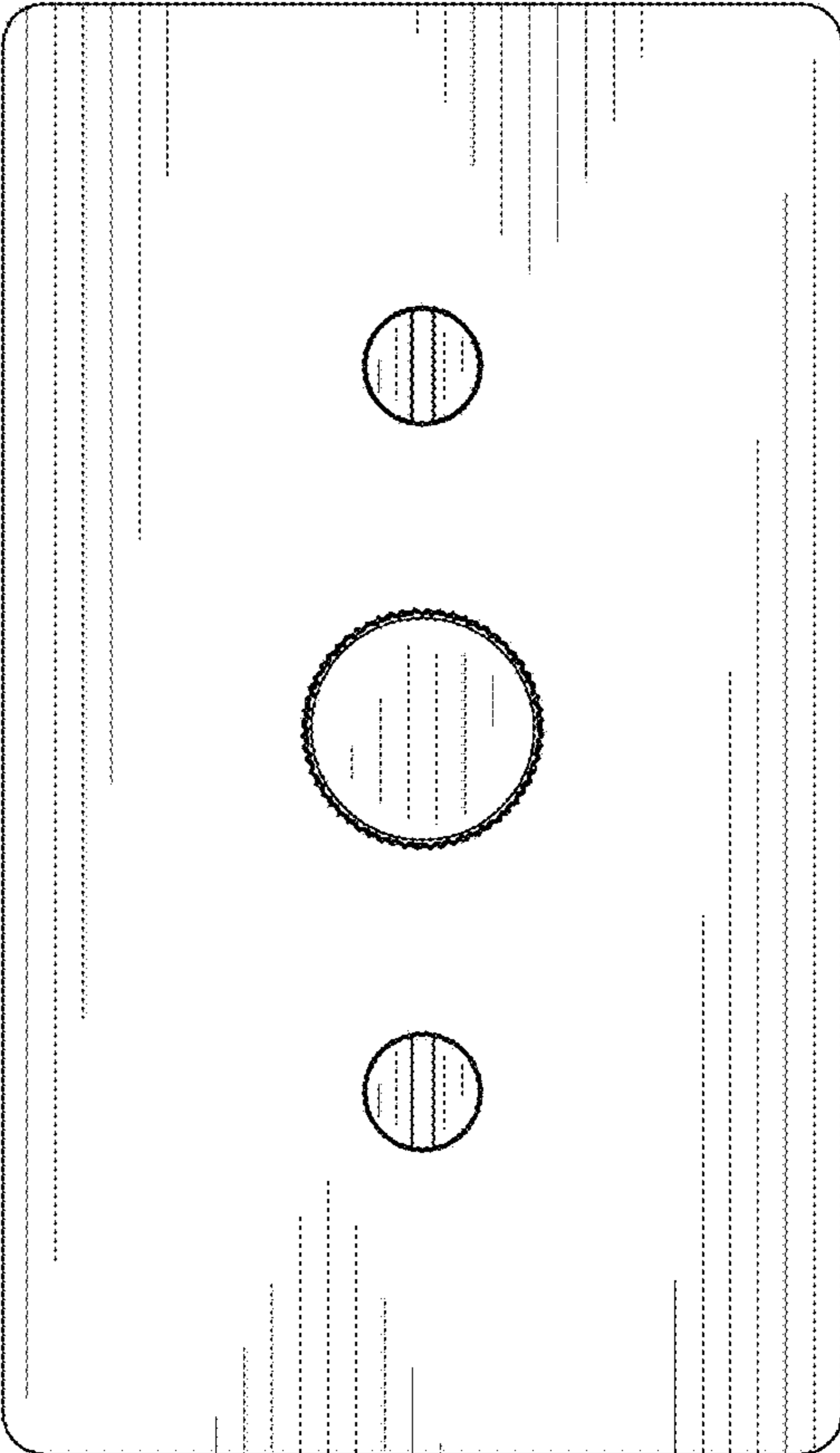
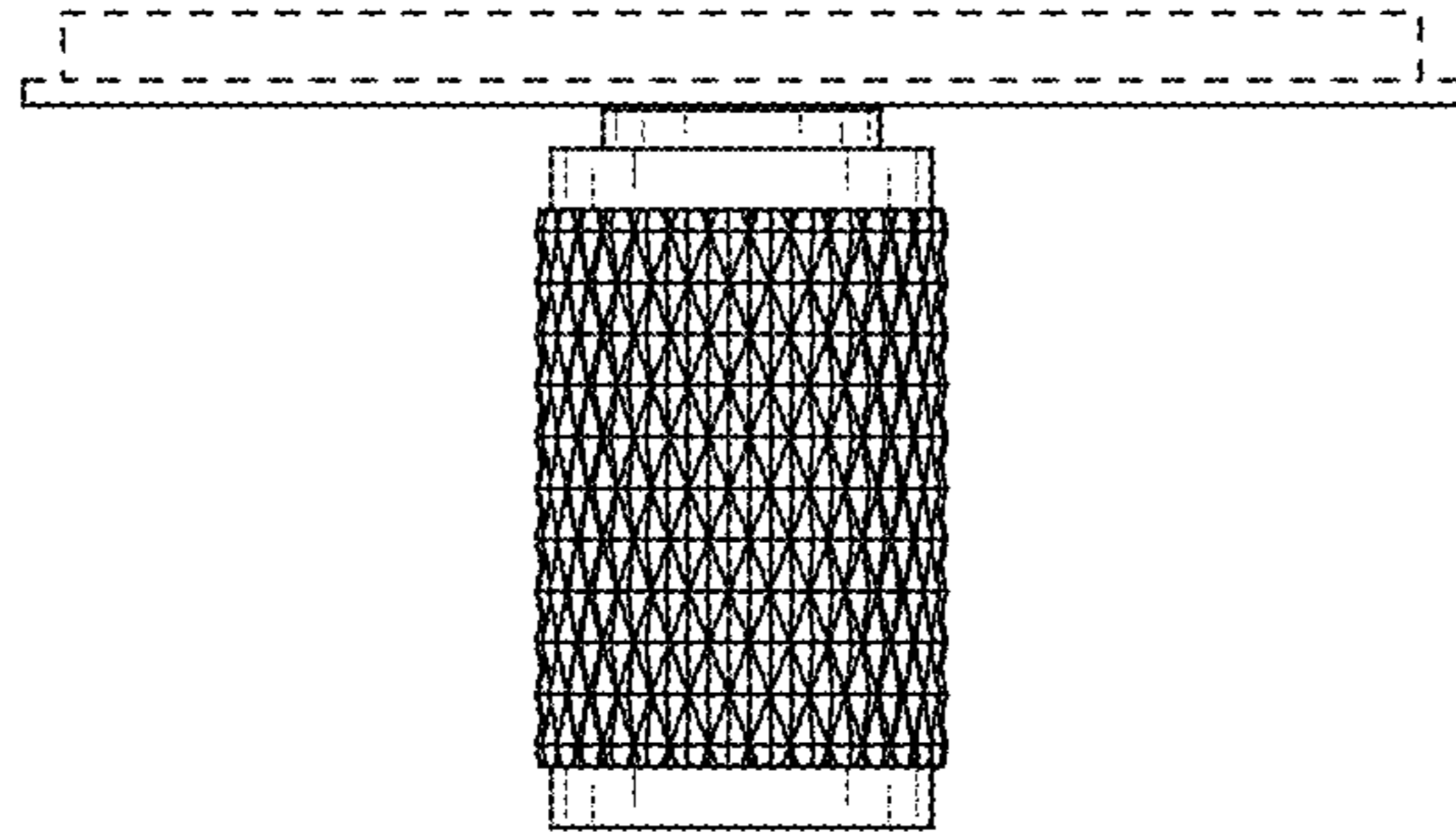
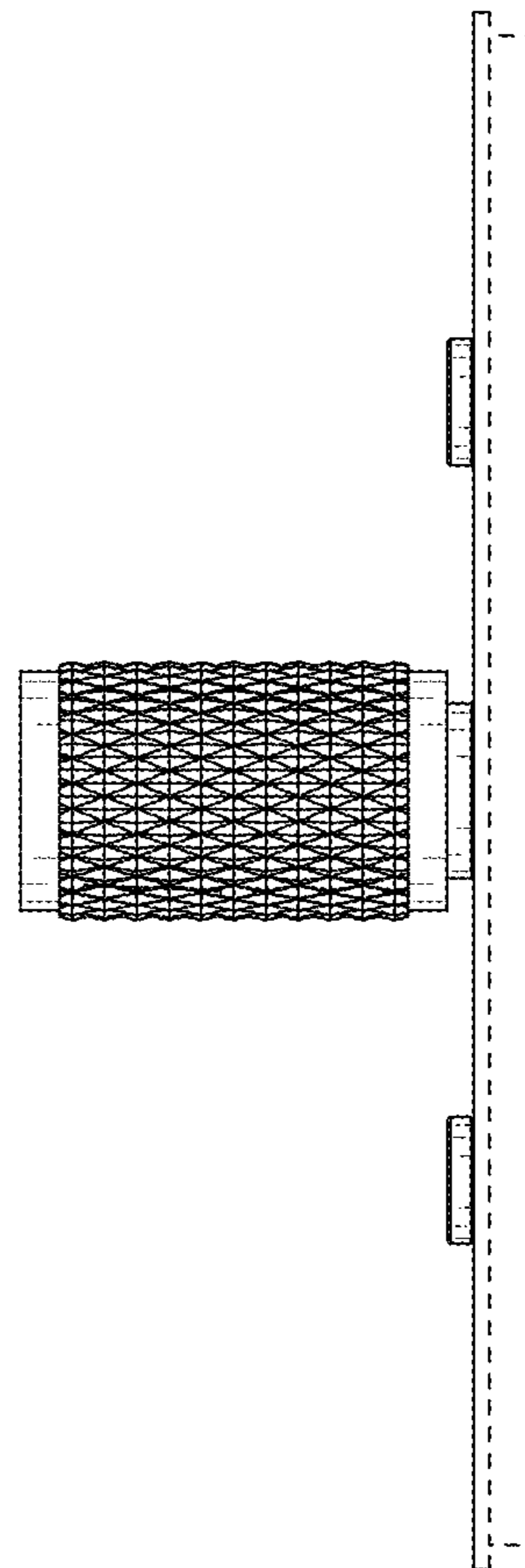


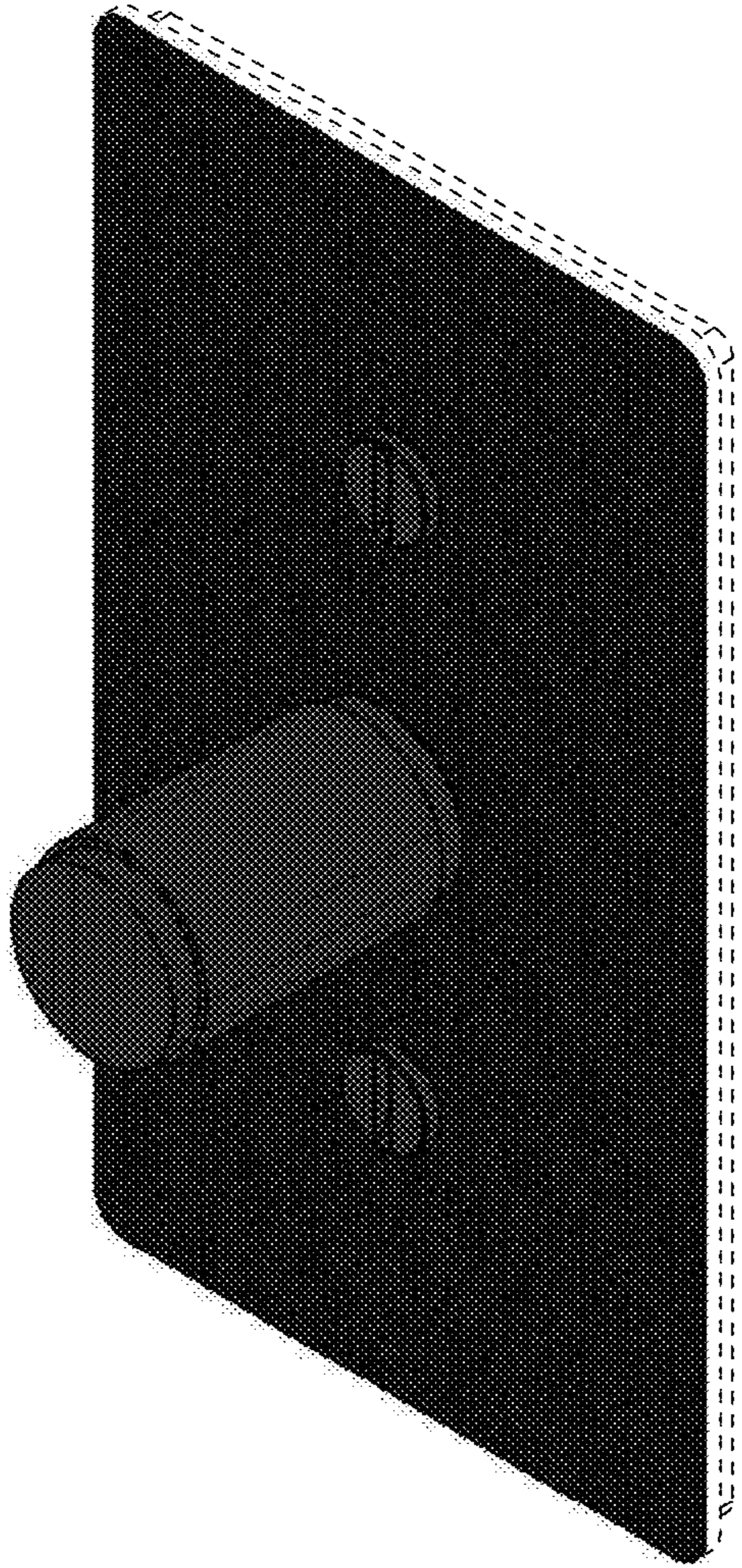
FIG. 2



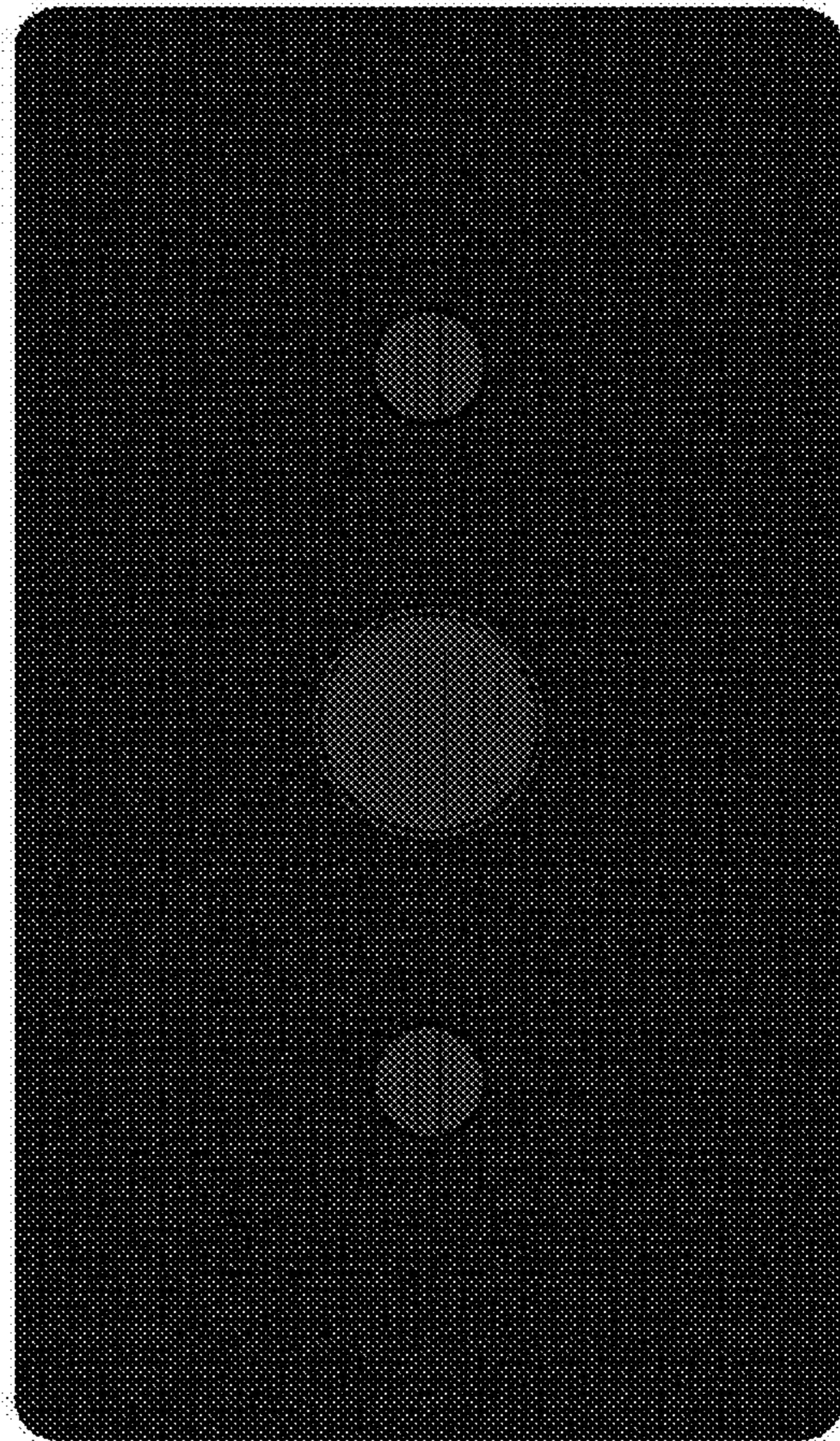
**FIG. 3**



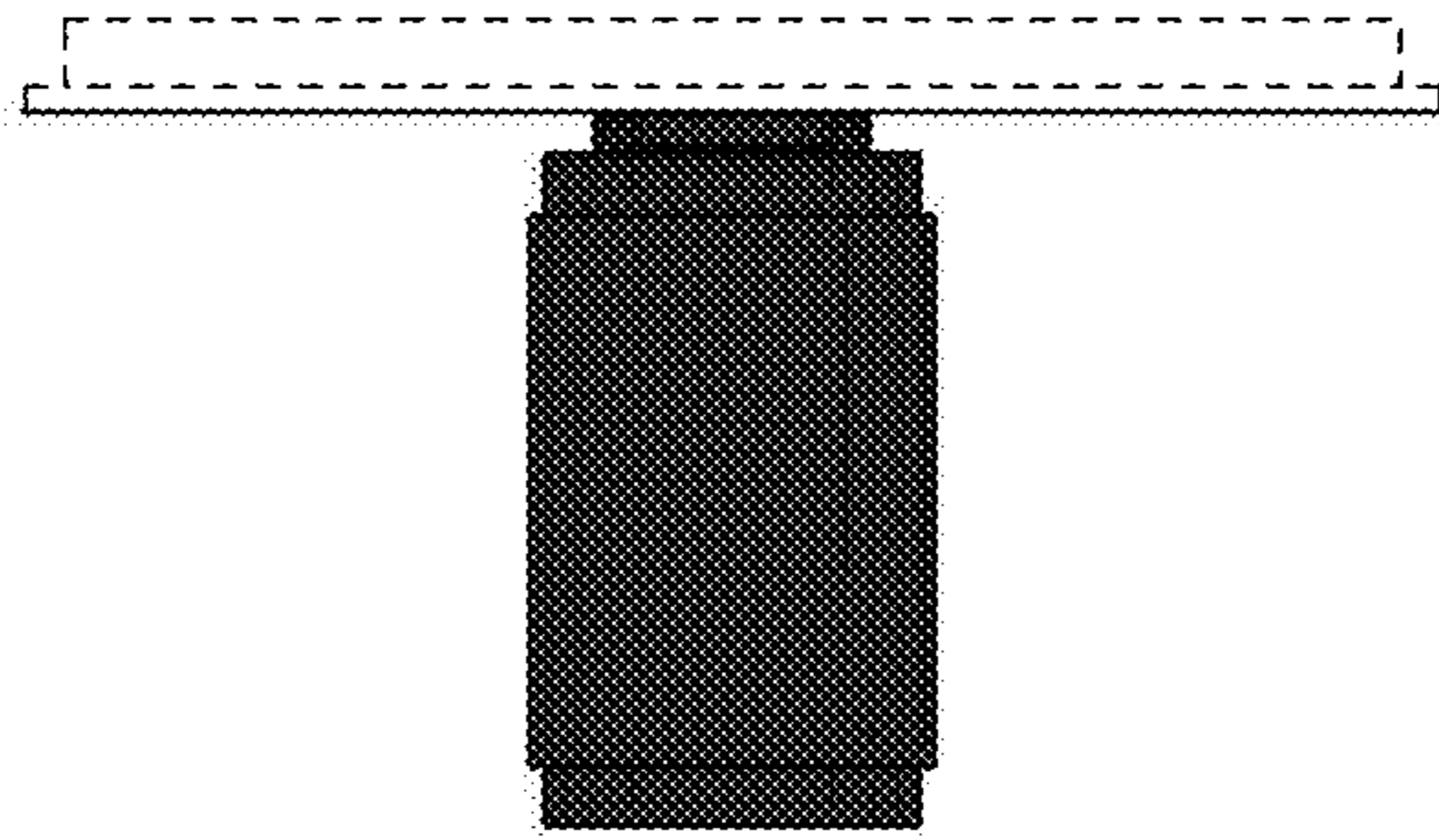
**FIG. 4**



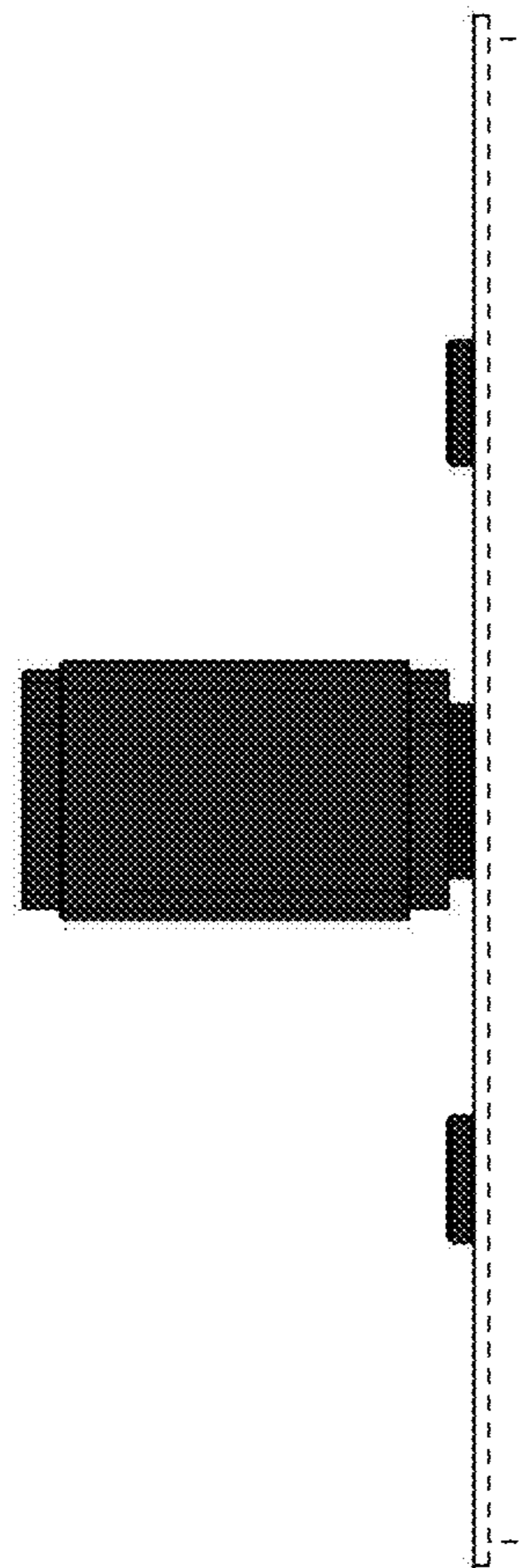
**FIG. 5**



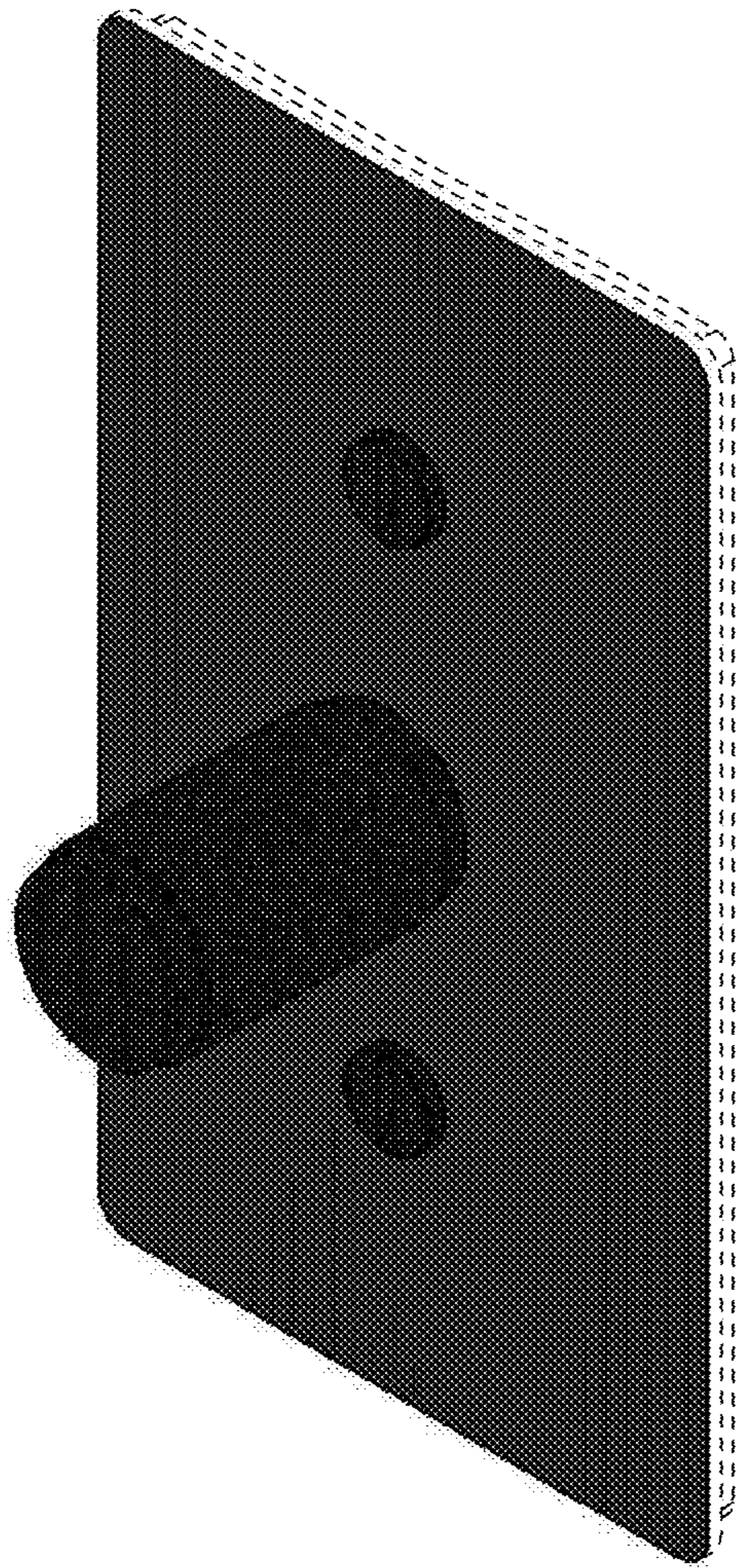
**FIG. 6**



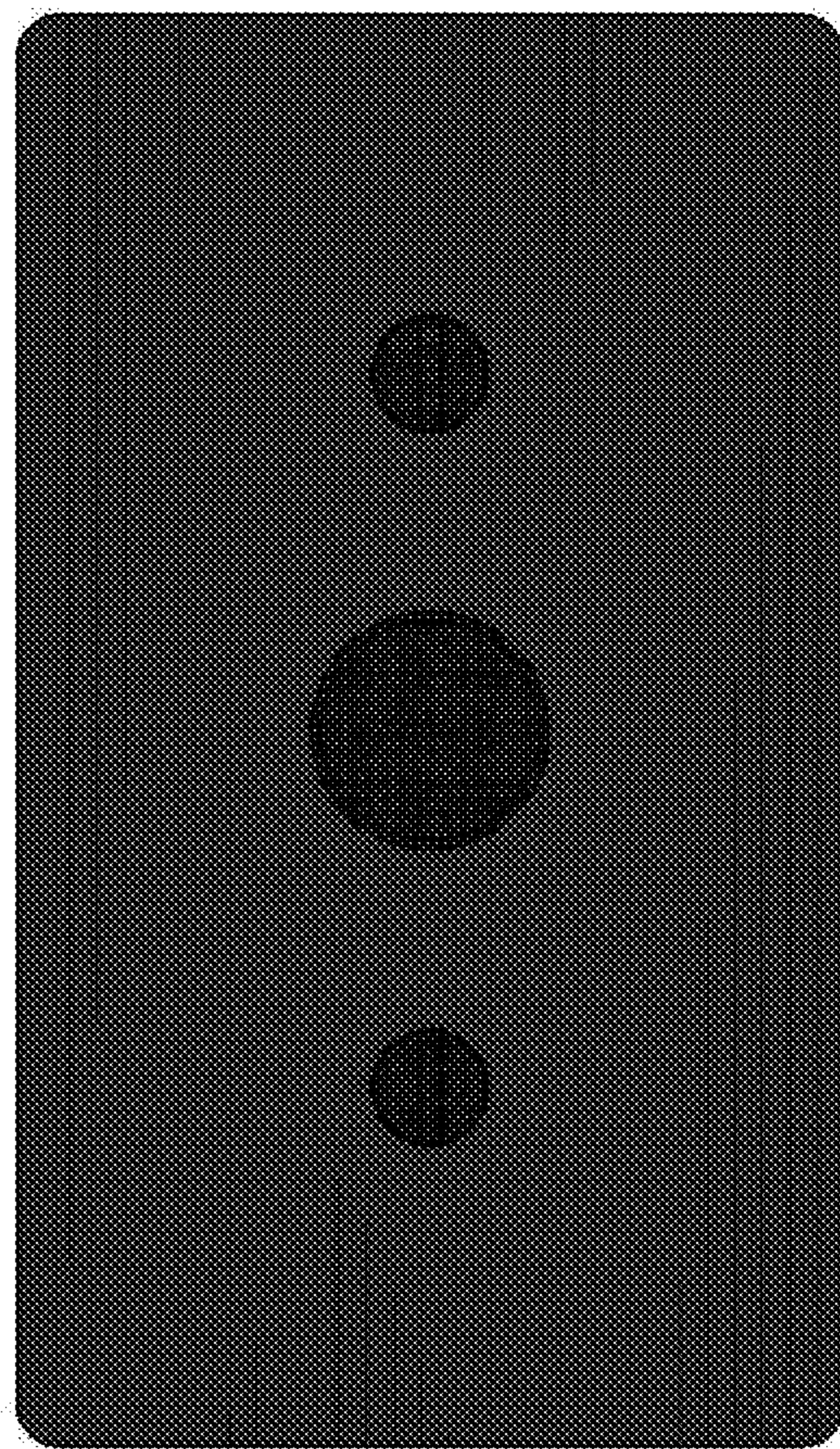
**FIG. 7**



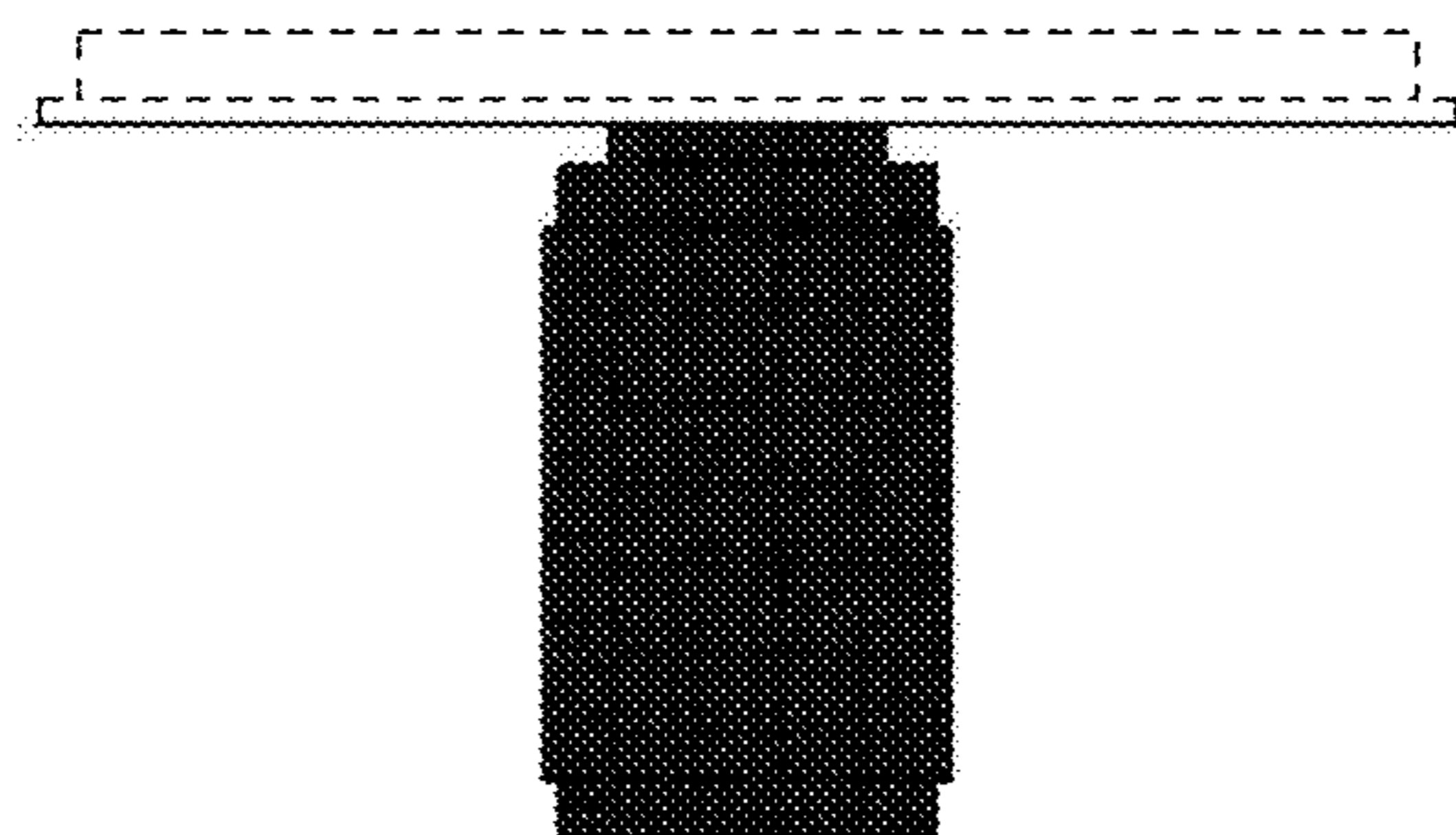
**FIG. 8**



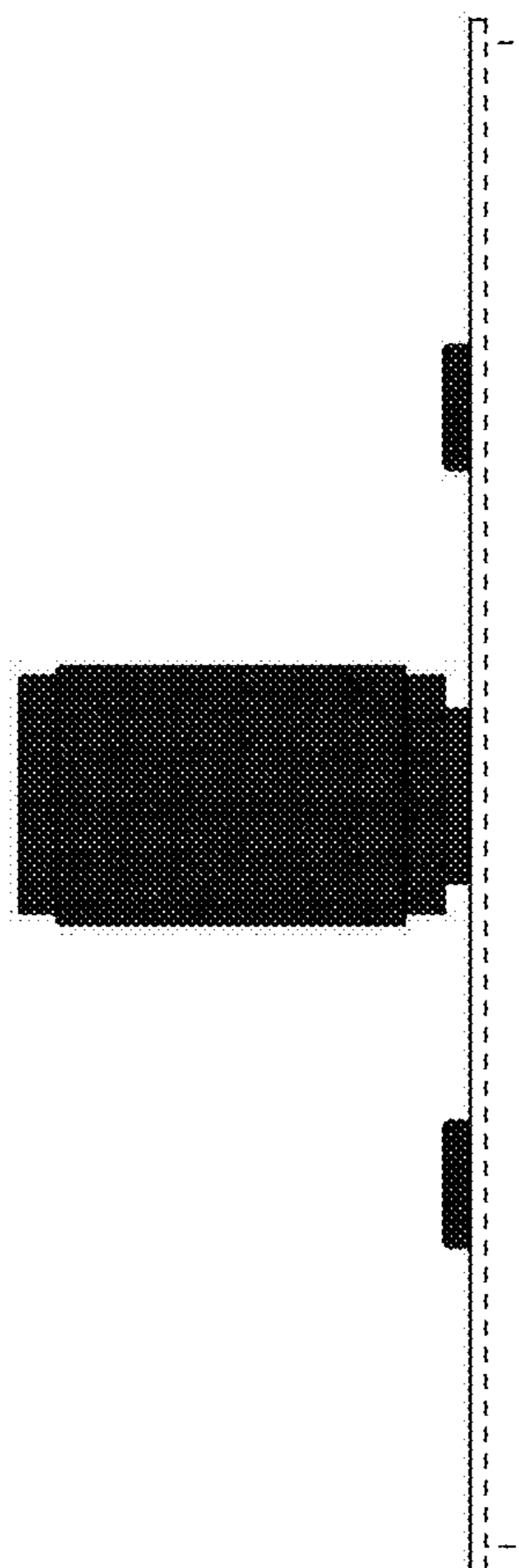
**FIG. 9**



**FIG. 10**



**FIG. 11**



**FIG. 12**