



US00D801288S

(12) **United States Design Patent** (10) **Patent No.:** **US D801,288 S**
Kim et al. (45) **Date of Patent:** **** Oct. 31, 2017**

(54) **REMOTE CONTROL FOR AIR
CONDITIONER**

(71) Applicant: **Samsung Electronics Co., Ltd.**,
Suwon-si (KR)

(72) Inventors: **Daejong Kim**, Seoul (KR); **Youngsun
Shin**, Seoul (KR)

(73) Assignee: **Samsung Electronics Co., Ltd.**,
Suwon-si (KR)

(**) Term: **15 Years**

(21) Appl. No.: **29/533,757**

(22) Filed: **Jul. 22, 2015**

(30) **Foreign Application Priority Data**

Jan. 29, 2015 (KR) 30-2015-0004907

(51) **LOC (10) Cl.** **14-03**

(52) **U.S. Cl.**
USPC **D13/168**

(58) **Field of Classification Search**
USPC D13/168; D10/49, 50; D14/138 G, 218,
D14/341; D9/418, 432, 560; D28/78, 83
CPC F24F 11/00; F24F 11/0012; F24F 11/0086;
F24F 11/0009; F24F 2011/0057; F24F
2011/0073; F24F 2011/0091; G05B
19/0426; G05B 19/409; G05B 15/02;
G06F 1/1601; G06F 3/041; G06F 3/044;
G06F 3/0482; G06F 3/0488; G06F
3/0489; G05D 23/1902; G05D 23/1905;
G05D 23/1931; G02F 1/33308; H01H
9/02; H05B 37/02

See application file for complete search history.

(56) **References Cited**

U.S. PATENT DOCUMENTS

D301,124 S * 5/1989 Bakic D28/76
D479,016 S * 8/2003 Sgariboldi D28/78

D504,889 S * 5/2005 Andre D14/341
D582,800 S * 12/2008 Comerford D10/50
D630,169 S * 1/2011 Nakai D13/168
D639,266 S * 6/2011 DeLorenzo D14/130
D654,074 S * 2/2012 Wood D14/341
8,149,222 B2 * 4/2012 Hsieh G06F 3/041
345/173
D660,809 S 5/2012 Koskela et al.
D661,662 S * 6/2012 Kikuchi D13/168
8,224,491 B2 * 7/2012 Koster F24F 11/006
236/51
D677,255 S * 3/2013 McManigal D14/341
D678,218 S * 3/2013 Sheen D13/168

(Continued)

FOREIGN PATENT DOCUMENTS

JP 1004289 2/1998
KR 30-2004-0016453 6/2005

(Continued)

Primary Examiner — Selina Sikder

(74) Attorney, Agent, or Firm — NSIP Law

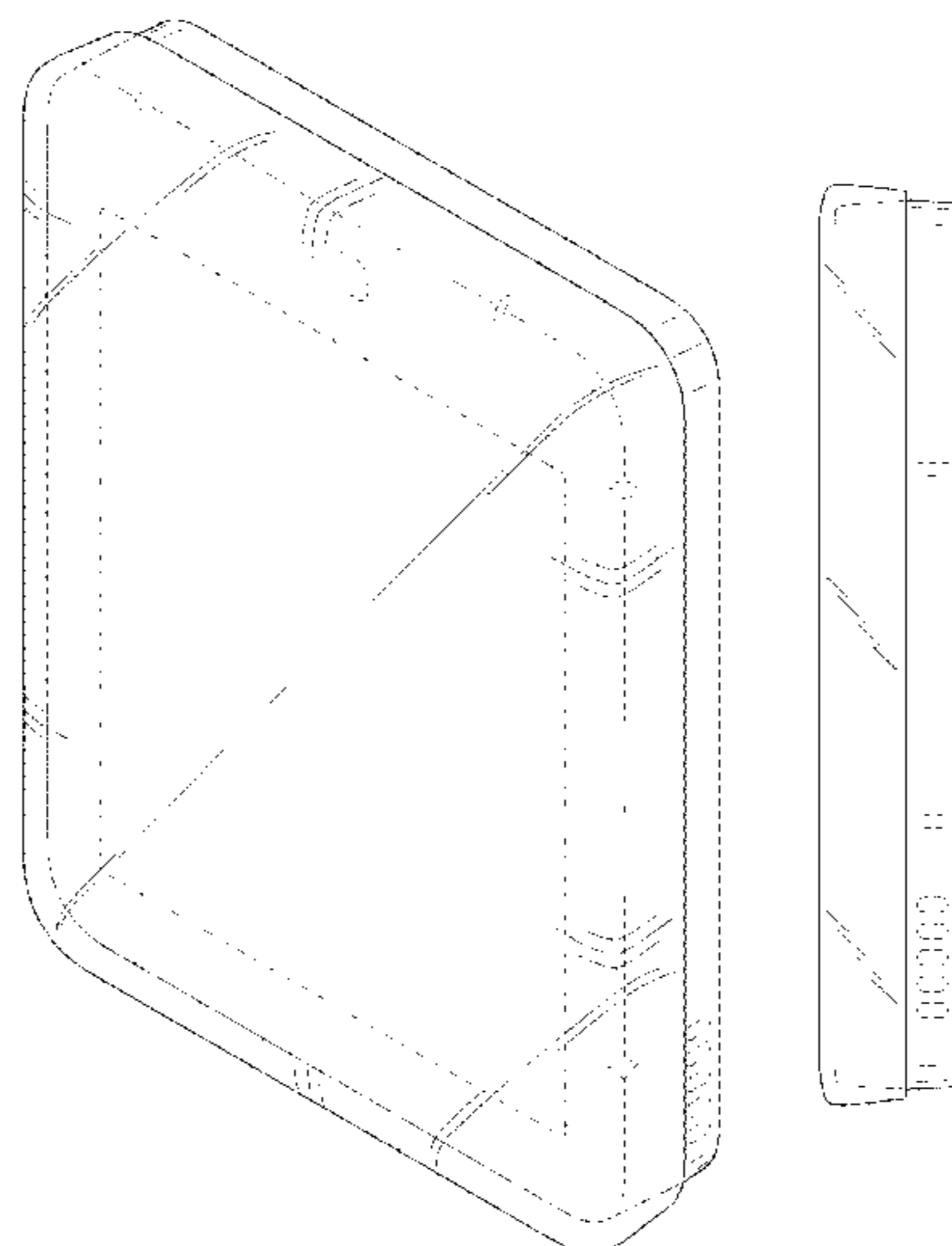
(57) **CLAIM**

We claim the ornamental design for a remote control for air conditioner, as shown and described.

DESCRIPTION

FIG. 1 is a front perspective view of a remote control for air conditioner showing our new design;
FIG. 2 is a front view thereof;
FIG. 3 is a rear view thereof;
FIG. 4 is a left-side view thereof;
FIG. 5 is a right-side view thereof;
FIG. 6 is a top view thereof; and,
FIG. 7 is a bottom view thereof.
The broken lines in the figures show portions of the remote control for air conditioner which form no part of the claimed design.

1 Claim, 5 Drawing Sheets



(56)

References Cited

U.S. PATENT DOCUMENTS

D684,872 S * 6/2013 Bias D10/49
 D687,388 S * 8/2013 Baumgartner D13/162
 D694,212 S * 11/2013 Yuu D14/138 G
 D696,636 S * 12/2013 Sakai D13/168
 D722,205 S * 2/2015 Parker D28/83
 D733,591 S * 7/2015 Golden D10/50
 D734,179 S * 7/2015 Golden D10/50
 D738,755 S * 9/2015 Druce D10/50
 D738,756 S * 9/2015 Jiang D10/50
 D742,335 S * 11/2015 Yamaguchi D10/49
 D742,872 S * 11/2015 Akana D14/341
 D743,349 S * 11/2015 Leeland D10/50
 D744,433 S * 12/2015 Baumgartner D10/49
 D755,132 S * 5/2016 Kashimoto D13/168
 D755,734 S * 5/2016 Kashimoto D13/168
 D758,217 S * 6/2016 Kumfer D10/50
 D763,203 S * 8/2016 Ikegaya D13/168
 D764,418 S * 8/2016 Kashimoto D13/168

D764,419 S * 8/2016 Kashimoto D13/168
 2010/0106305 A1 * 4/2010 Pavlak F24F 11/001
 700/276
 2012/0250242 A1 * 10/2012 Graneto, III G06F 1/1656
 361/679.26
 2013/0161489 A1 * 6/2013 Gardner, Jr. G09G 3/3406
 250/208.1
 2014/0043256 A1 * 2/2014 Wu H01H 9/02
 345/173
 2014/0074296 A1 * 3/2014 Yum H04L 12/2809
 700/275
 2014/0184978 A1 * 7/2014 Yu G02F 1/133308
 349/58
 2015/0076991 A1 * 3/2015 Yamamoto H05B 37/0272
 315/153

FOREIGN PATENT DOCUMENTS

KR 30-2008-0012780 12/2008
 KR 30-2011-0029339 9/2012

* cited by examiner

FIG. 1

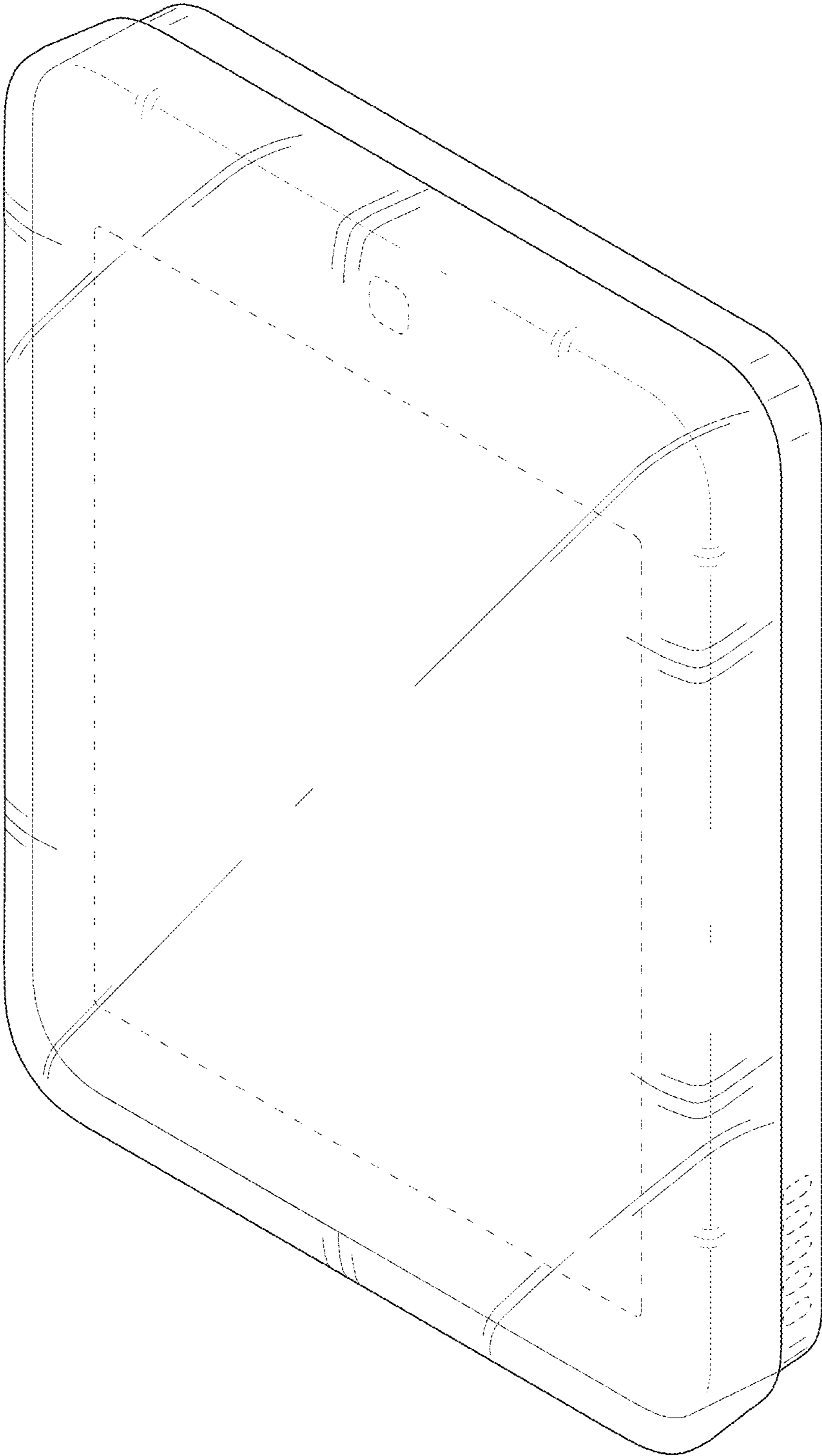


FIG. 2

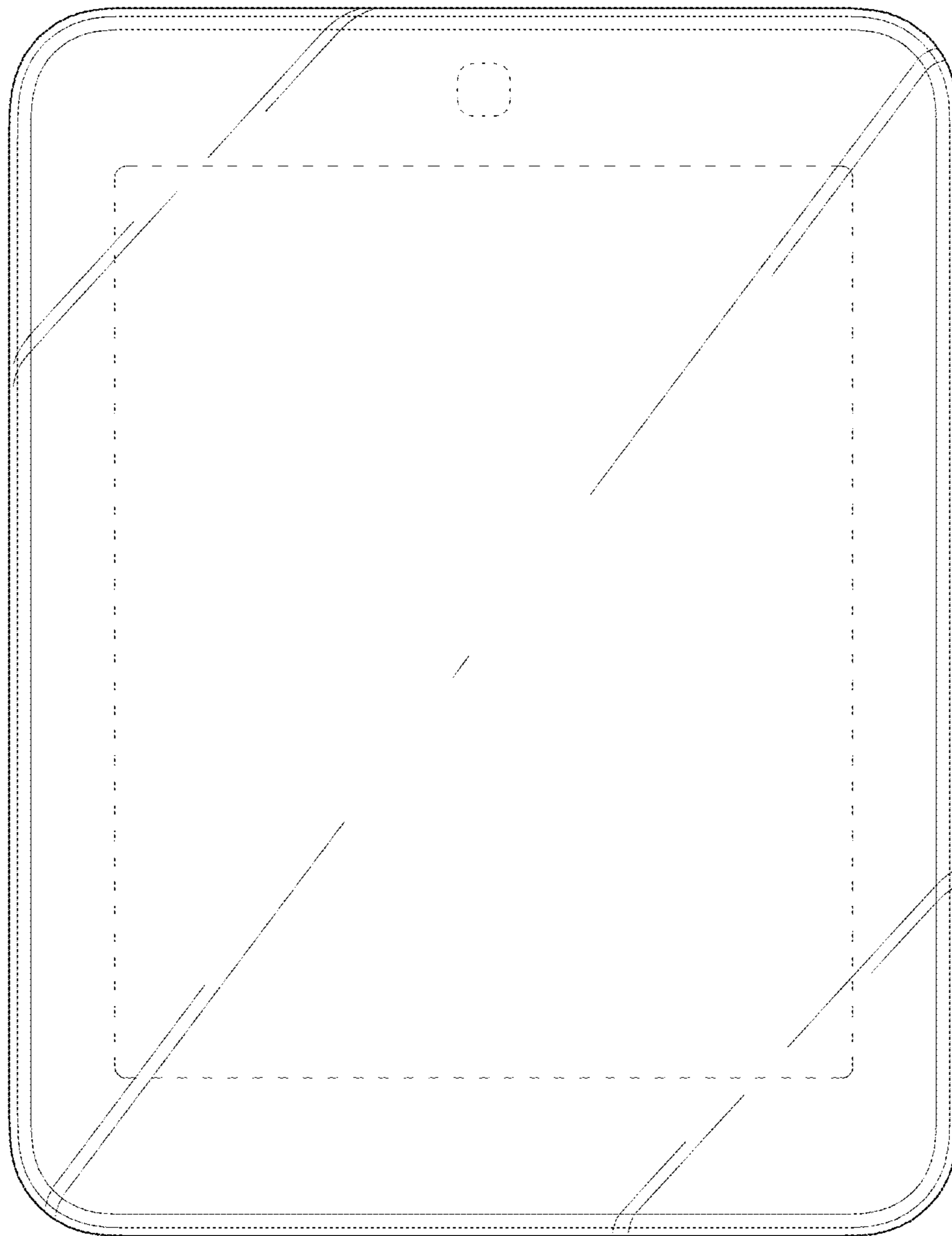


FIG. 3

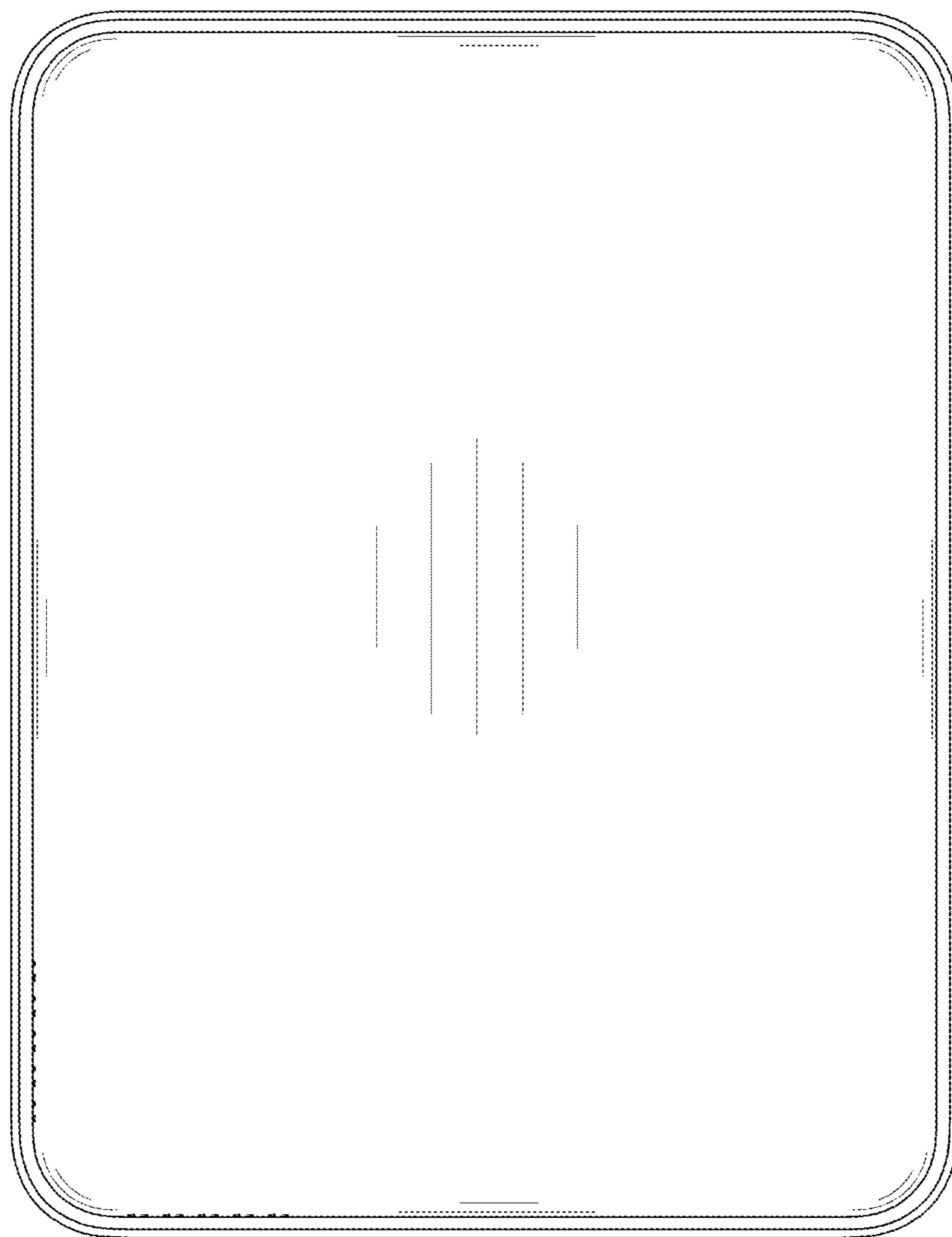


FIG. 4

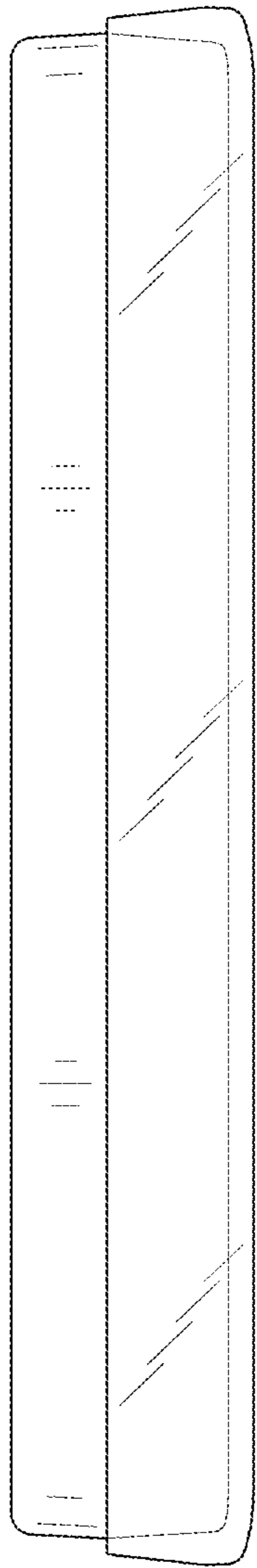


FIG. 5

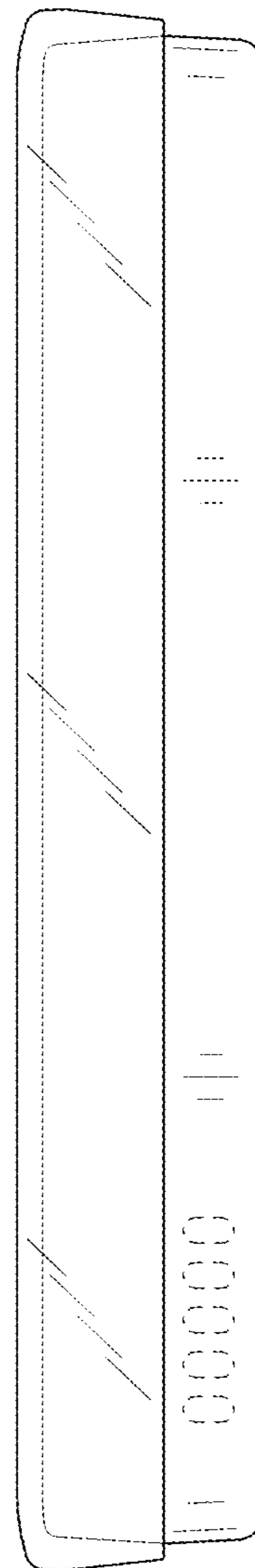


FIG. 6

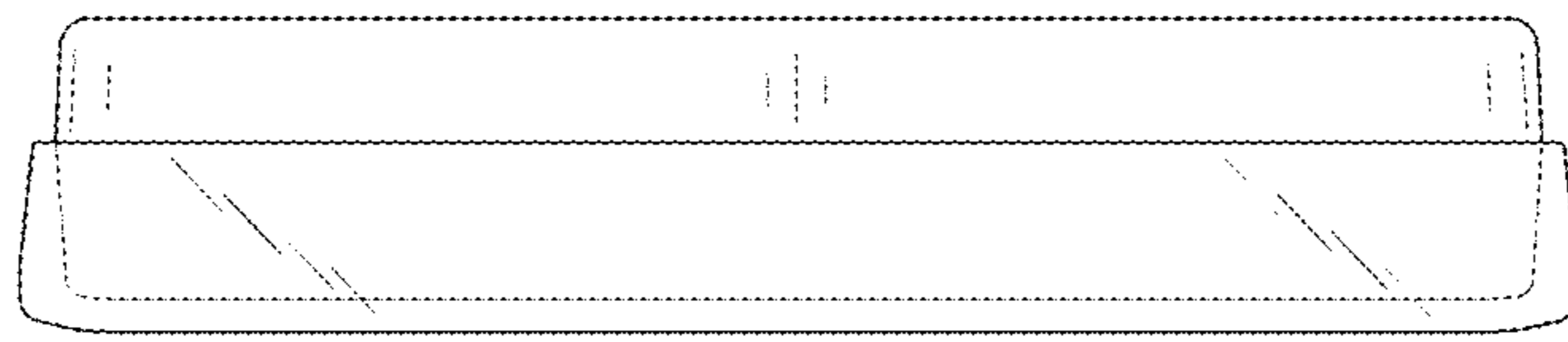


FIG. 7

