



US00D801286S

(12) **United States Design Patent**
Karlsson

(10) **Patent No.:** **US D801,286 S**
(45) **Date of Patent:** **** Oct. 31, 2017**

- (54) **SEAL**
- (71) Applicant: **Roxtec AB**, Karlskrona (SE)
- (72) Inventor: **Andreas Karlsson**, Karlskrona (SE)
- (73) Assignee: **Roxtec AB**, Karlskrona (SE)
- (**) Term: **15 Years**
- (21) Appl. No.: **29/556,035**
- (22) Filed: **Feb. 26, 2016**
- (30) **Foreign Application Priority Data**

D387,730 S *	12/1997	McCarthy	D13/133
D454,539 S *	3/2002	Poag	D13/122
6,561,723 B2 *	5/2003	McCurdy	A61D 19/00
				403/307
6,627,817 B1 *	9/2003	Kortenbach	H02G 3/083
				174/541
D580,371 S *	11/2008	Farahani	D13/146
D678,213 S *	3/2013	Karlsson	D13/156
D692,391 S *	10/2013	Kim	D13/154
D709,460 S *	7/2014	Clifton	D13/156
D710,306 S *	8/2014	Ohashi	D13/122
D715,744 S *	10/2014	Millevik	D13/155
D725,603 S *	3/2015	Semans	D13/156
D733,068 S *	6/2015	Johnson	D13/156
D762,579 S *	8/2016	Wilkins	D13/122
2007/0134993 A1 *	6/2007	Tamez	A61M 1/10
				439/752

(Continued)

Aug. 26, 2015 (EM) 002760918-0001
 Aug. 26, 2015 (EM) 002760918-0005

FOREIGN PATENT DOCUMENTS

- (51) **LOC (10) Cl.** **13-03**
- (52) **U.S. Cl.**
USPC **D13/156**
- (58) **Field of Classification Search**
USPC D13/110, 120-122, 123, 133, 137.1,
D13/139.1, 139.4, 152, 154, 155, 156,
D13/158, 162, 164, 173, 177, 184, 199;
174/67, 66; 439/147-149, 373, 391, 535,
439/536, 538; 220/241, 242; 361/600,
361/707, 752; D15/138, 143; D23/269,
D23/266
CPC H02G 3/14; H02G 3/081; H05K 5/0217;
H01R 13/447
See application file for complete search history.

DE 202012001199 U1 5/2013

Primary Examiner — Derrick Holland
Assistant Examiner — Jennifer O King

(74) *Attorney, Agent, or Firm* — Merchant & Gould P.C.

(57) **CLAIM**

The ornamental design for a seal, as shown and described.

DESCRIPTION

FIG. 1 is a first side view of a seal according to the present invention;

FIG. 2 is a second side view thereof, taken from an opposite side;

FIG. 3 is a bottom view thereof;

FIG. 4 is a top view thereof;

FIG. 5 is a top perspective view thereof; and,

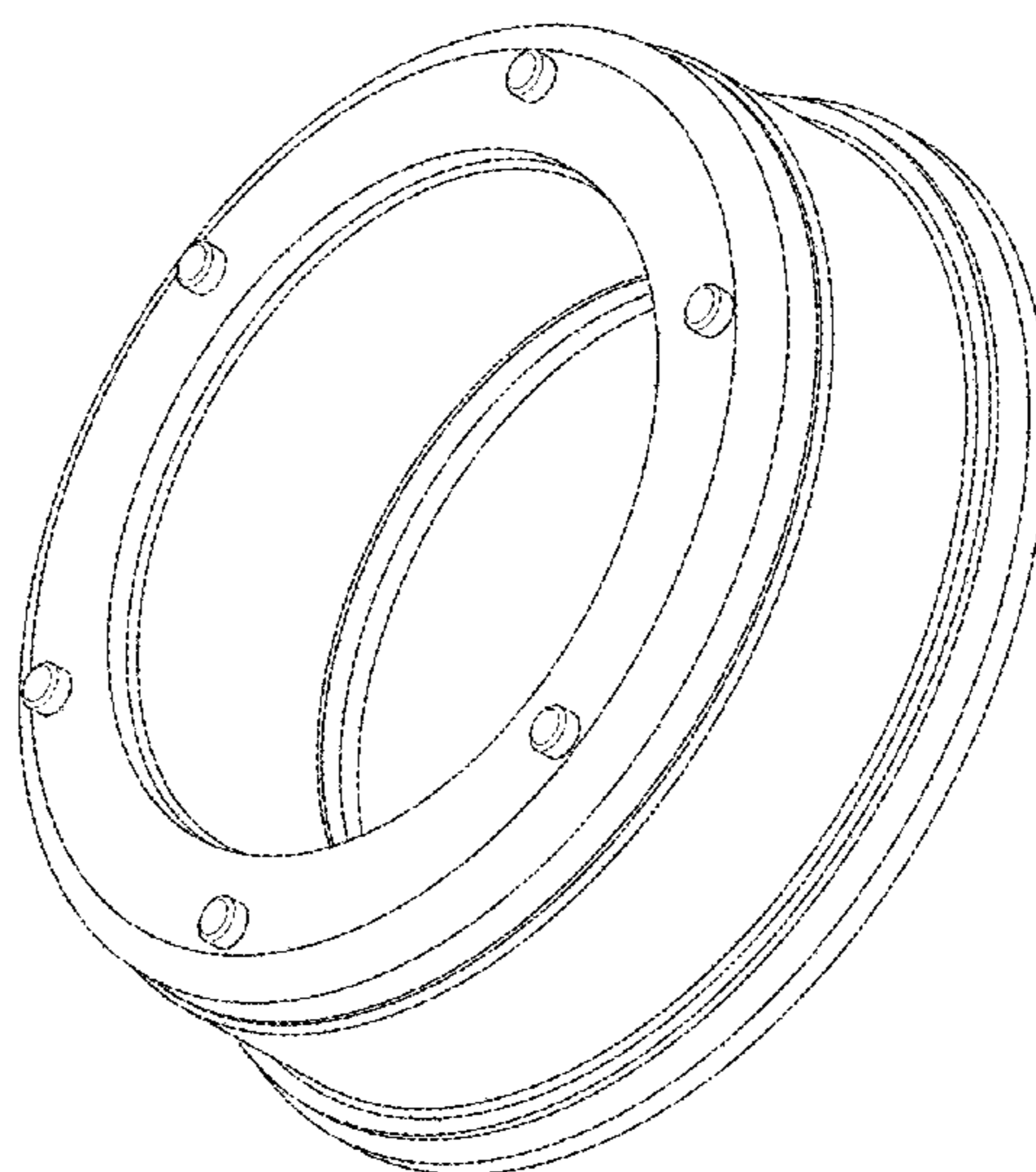
FIG. 6 is a bottom perspective view thereof.

The seal is a non-weld seal, and can be used with a metal pipe on onboard marine or offshore structures.

(56) **References Cited**
U.S. PATENT DOCUMENTS

D256,046 S *	7/1980	Perrin	D23/269
4,804,158 A *	2/1989	Collins	F16L 59/135
				248/74.4
4,840,194 A *	6/1989	Berry	H02G 3/06
				138/109

1 Claim, 6 Drawing Sheets



(56)

References Cited

U.S. PATENT DOCUMENTS

2008/0188117 A1* 8/2008 Kuo H02G 3/081
439/367
2009/0026324 A1* 1/2009 Hensley F16L 5/00
248/65

* cited by examiner

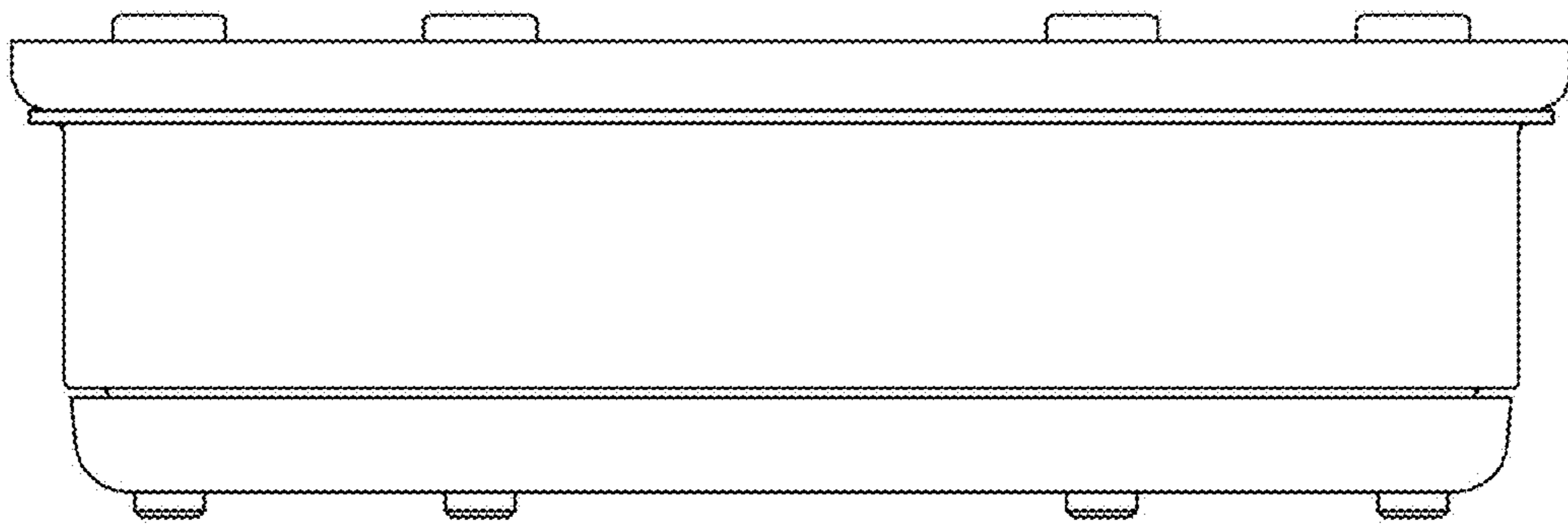


FIGURE 1

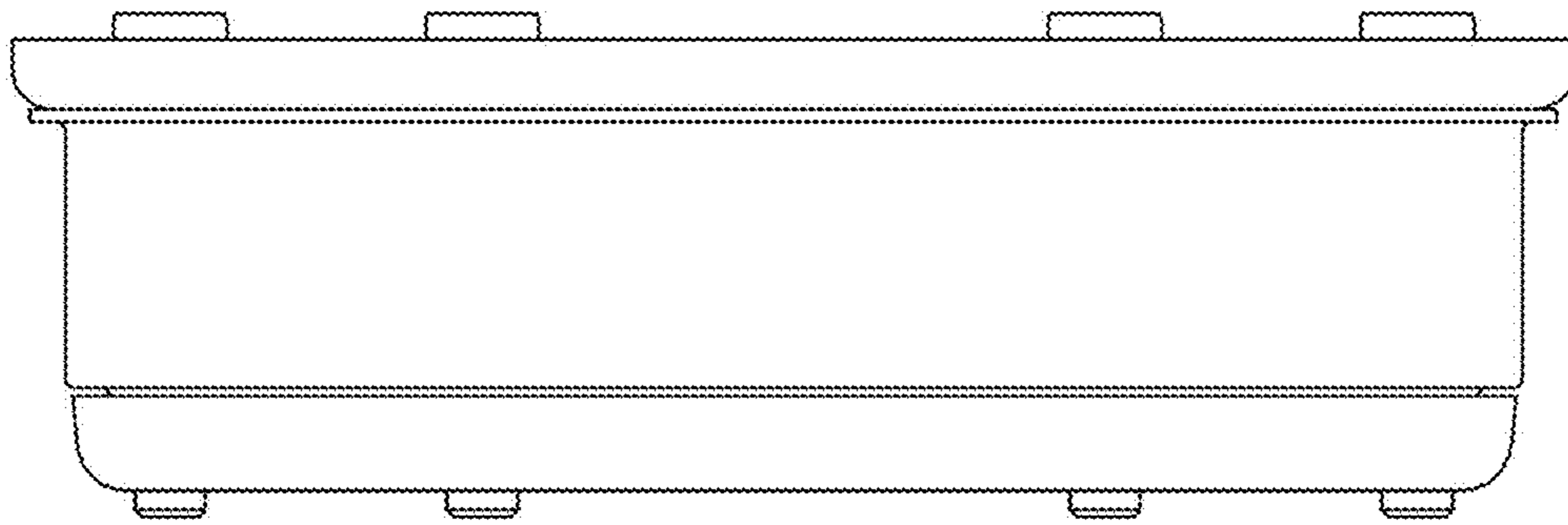


FIGURE 2

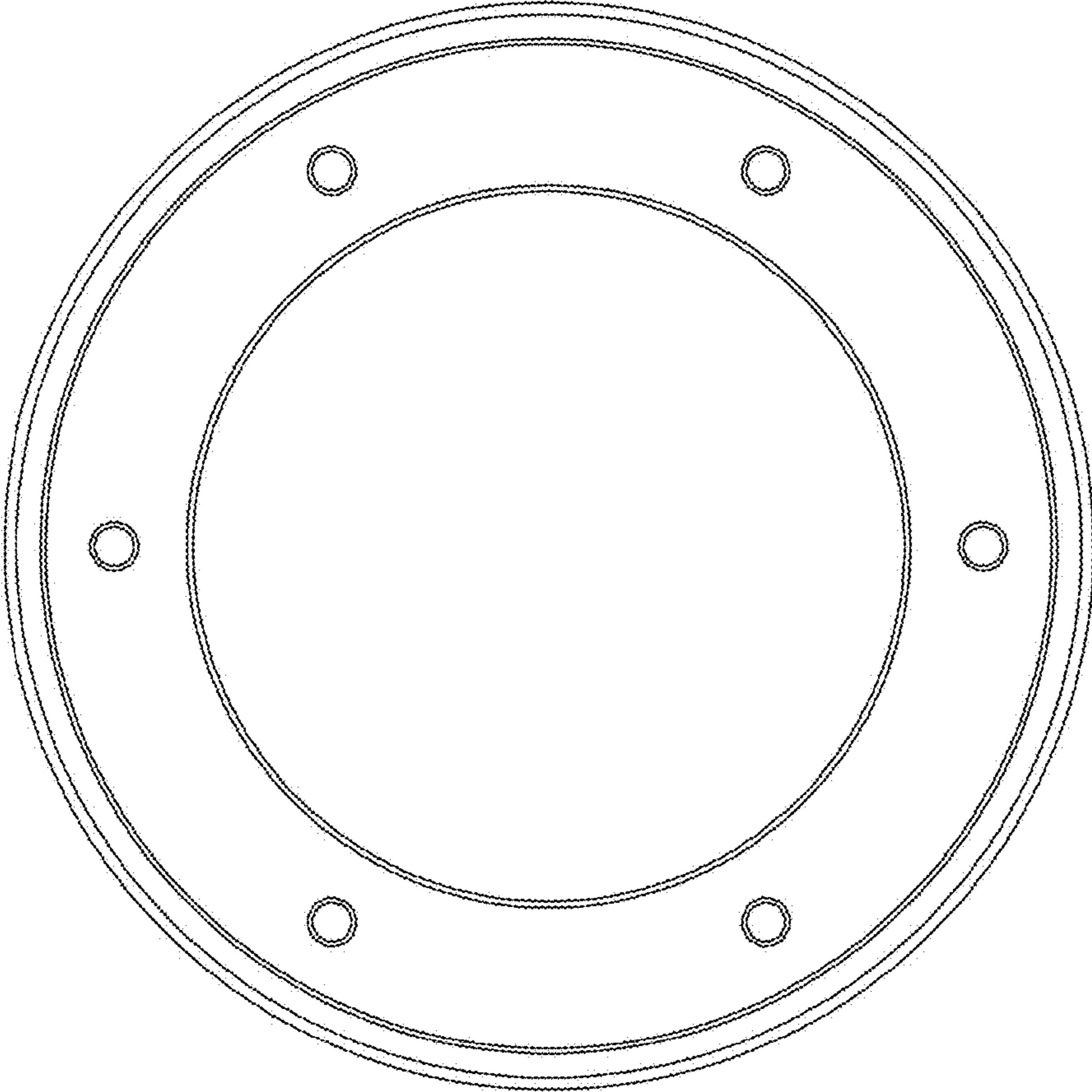


FIGURE 3

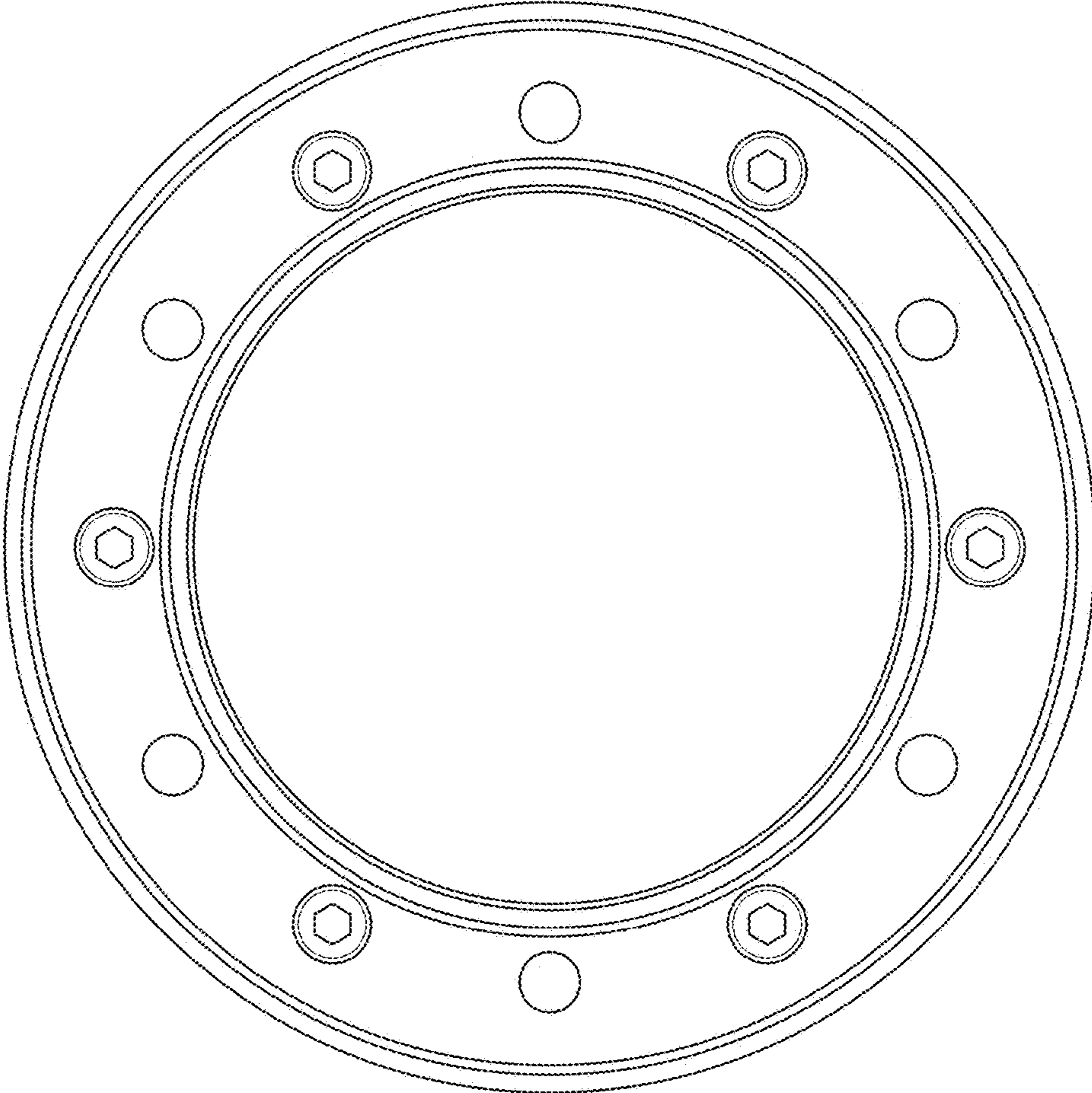


FIG. 4

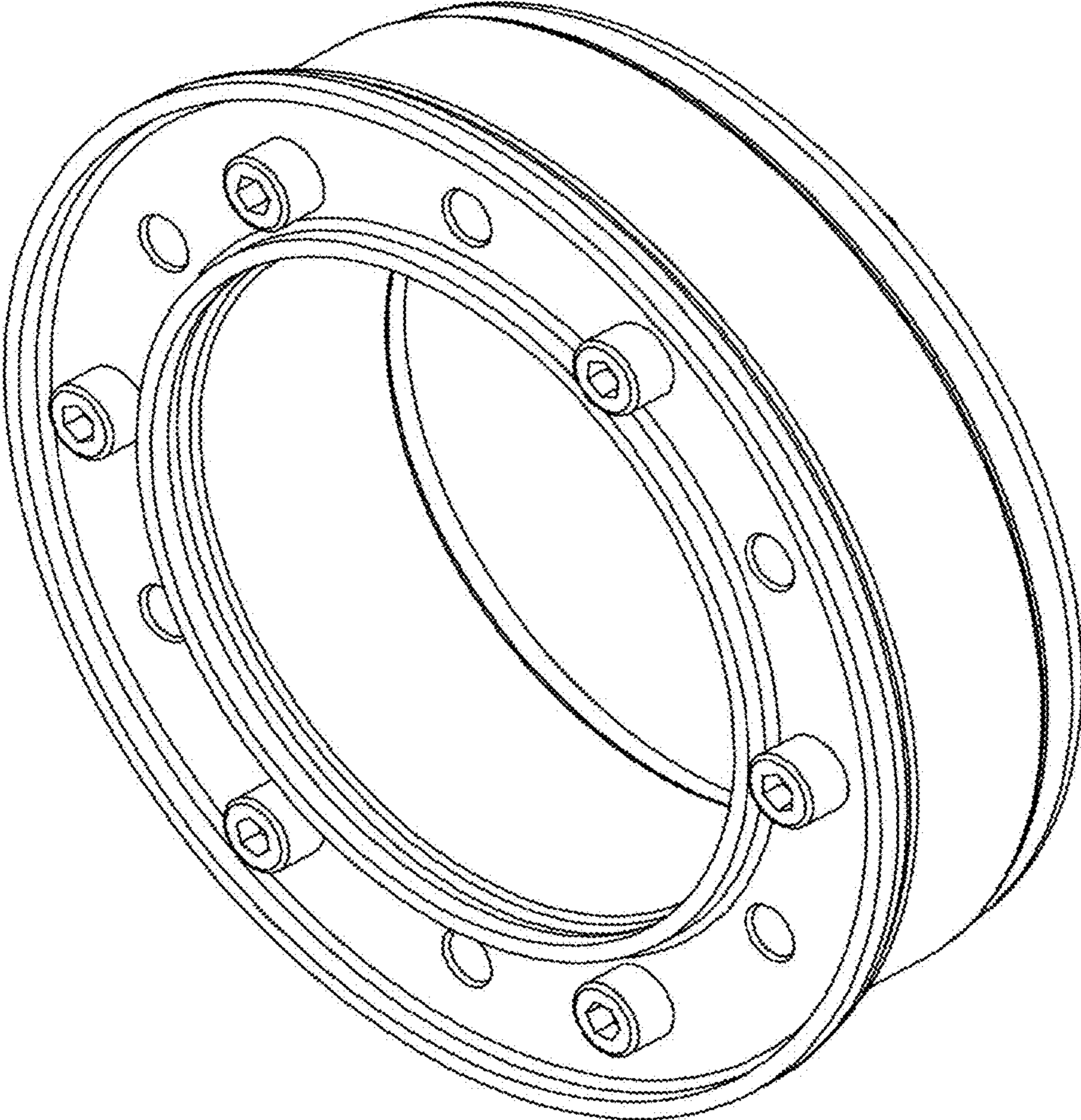


FIGURE 5

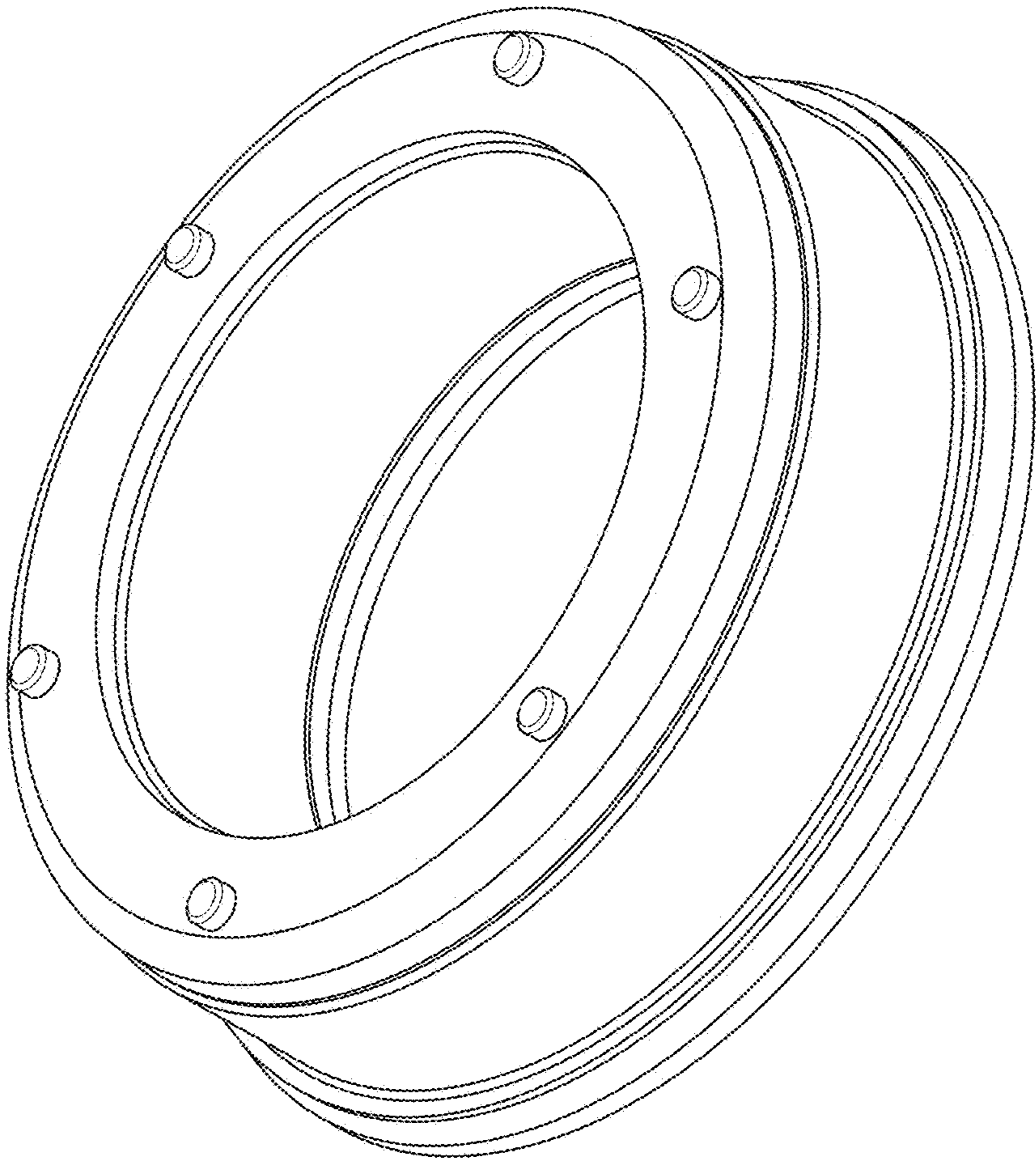


FIG. 6