



US00D801285S

(12) **United States Design Patent**
Timmins et al.

(10) **Patent No.:** **US D801,285 S**
(45) **Date of Patent:** **** Oct. 31, 2017**

- (54) **CEILING MOUNT BOX**
- (71) Applicant: **Optical Cable Corporation**, Roanoke, VA (US)
- (72) Inventors: **Ian J. Timmins**, Asheville, NC (US); **Nicholas R. Uhland**, Asheville, NC (US); **James J. Yanik**, Asheville, NC (US)
- (73) Assignee: **Optical Cable Corporation**, Roanoke, VA (US)
- (**) Term: **15 Years**
- (21) Appl. No.: **29/528,506**
- (22) Filed: **May 29, 2015**
- (51) **LOC (10) Cl.** **13-03**
- (52) **U.S. Cl.**
USPC **D13/156**
- (58) **Field of Classification Search**
USPC D13/110, 120–122, 123, 133, 137.1, D13/139.1, 139.4, 152, 154, 155, 156, D13/158, 162, 164, 173, 177, 184, 199; 174/67, 66; 439/147–149, 373, 391, 535, 439/536, 538; 220/241, 242; 361/600, 361/707, 752
CPC H02G 3/14; H02G 3/081; H05K 5/0217; H01R 13/447
See application file for complete search history.

- D686,992 S * 7/2013 Eisen D13/133
- D734,729 S * 7/2015 Chaloupecky D10/49
- D738,317 S * 9/2015 Hagarty D13/156
- D752,517 S * 3/2016 Scott D13/139.4
- D766,185 S * 9/2016 Hagarty D13/152
- 2013/0078853 A1* 3/2013 Dinh H02G 3/088
439/535
- 2016/0164271 A1* 6/2016 Franck H02G 3/086
174/480

* cited by examiner

Primary Examiner — Derrick Holland
Assistant Examiner — Jennifer O King
(74) *Attorney, Agent, or Firm* — The Van Winkle Law Firm; William G. Heedy; David M. Carter

(57) **CLAIM**

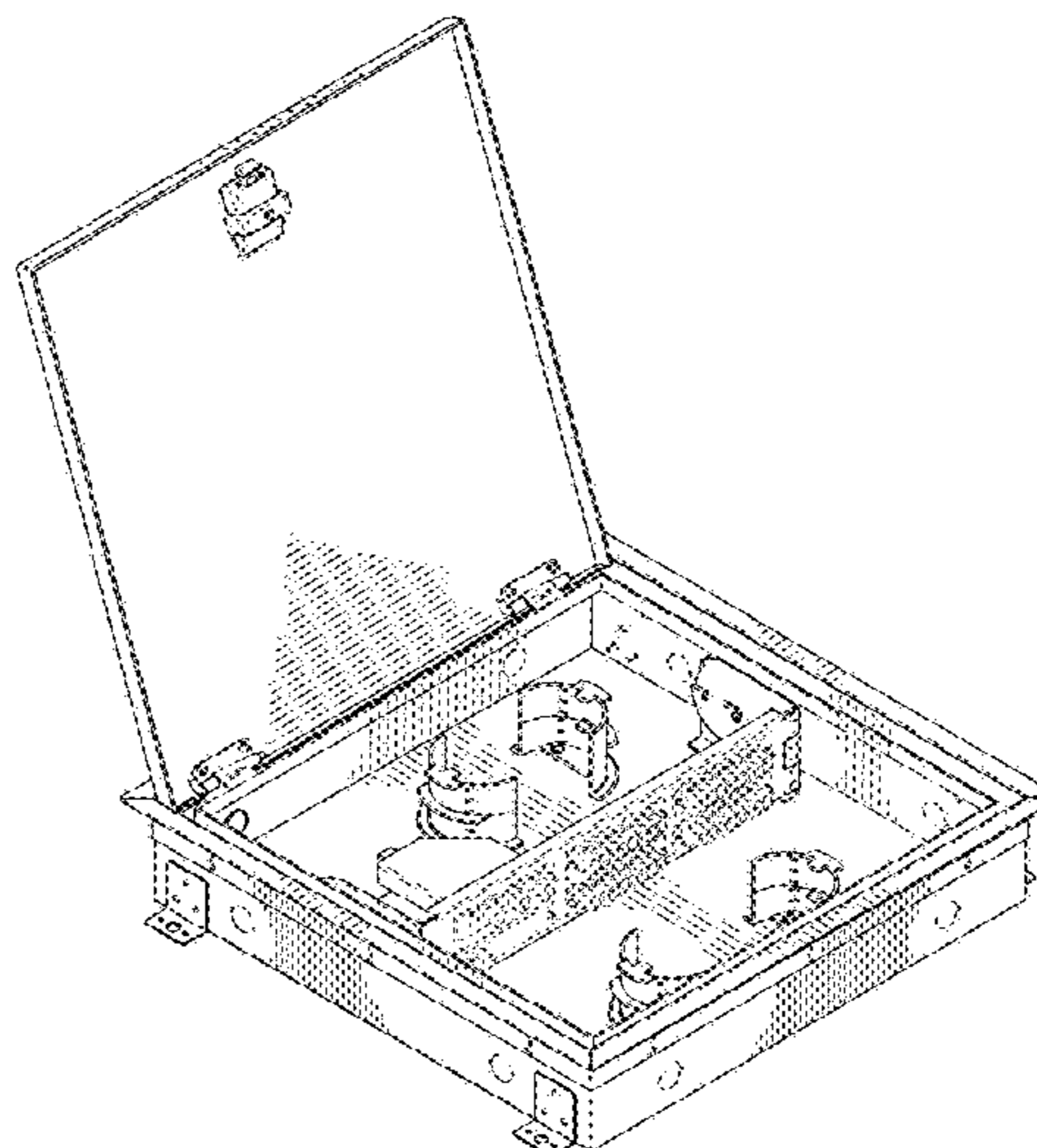
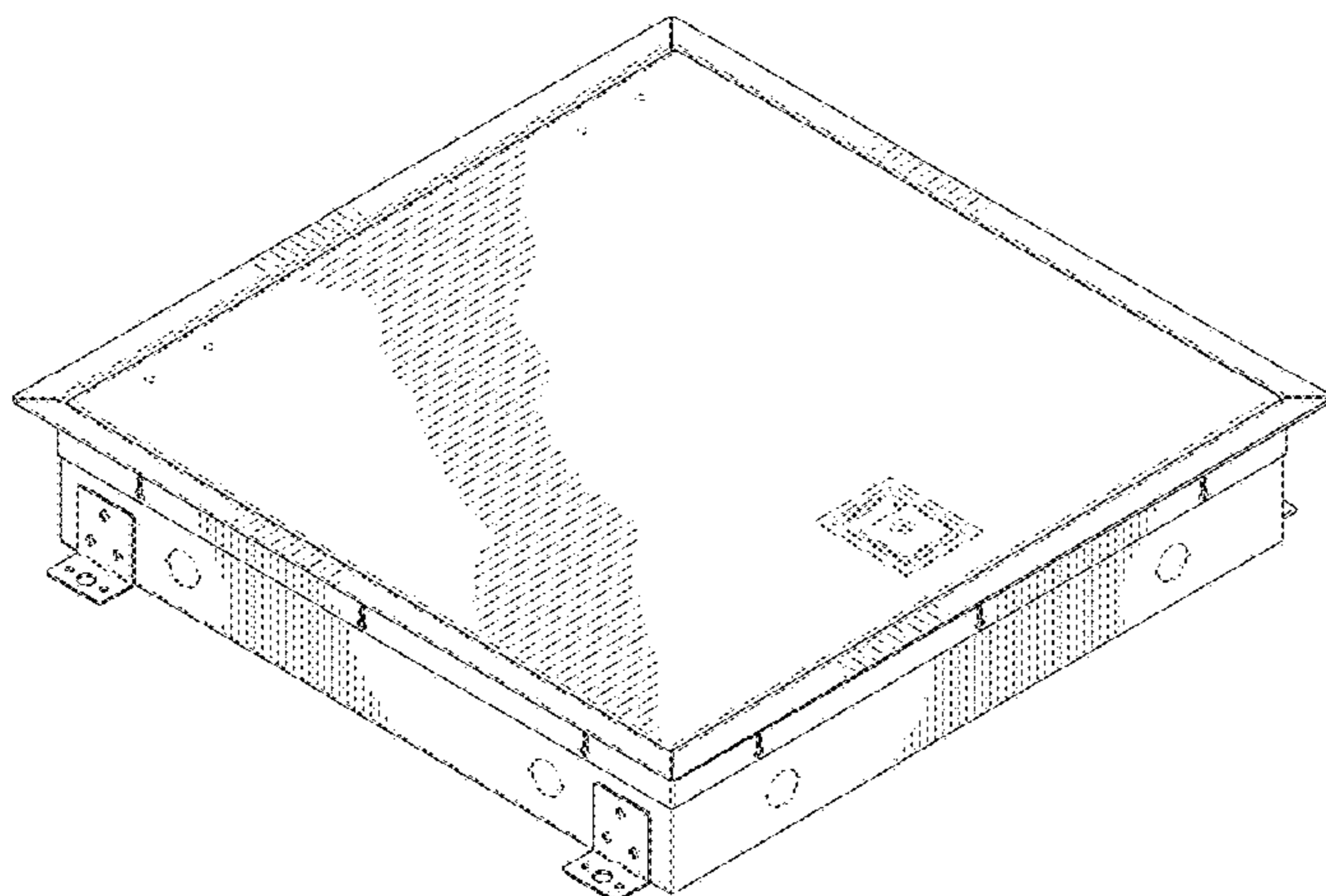
The ornamental design for a ceiling mount box, as shown and described.

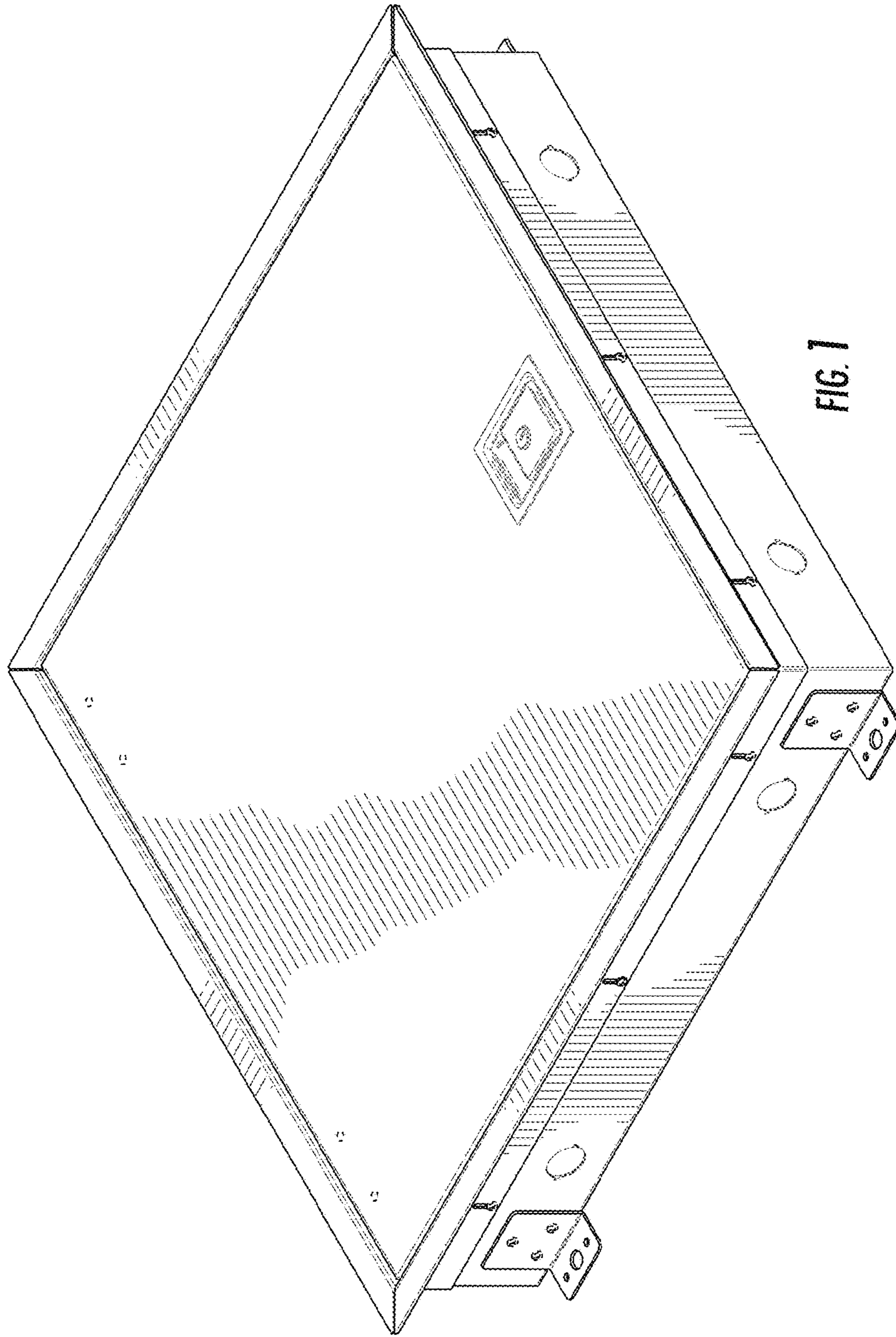
DESCRIPTION

FIG. 1 is a perspective view of a ceiling mount box; FIG. 2 is a top plan view thereof; FIG. 3 is a bottom plan view thereof; FIG. 4 is a front elevational view thereof; FIG. 5 is a rear elevational view thereof; FIG. 6 is a right side elevational view thereof; FIG. 7 is a left side elevational view thereof; FIG. 8 is a perspective view of the ceiling mount box, shown in an open configuration; FIG. 9 is a top plan view thereof; FIG. 10 is a bottom plan view thereof; FIG. 11 is a front elevational view thereof; FIG. 12 is a rear elevational view thereof; FIG. 13 is a right side elevational view thereof; and, FIG. 14 is a left side elevational view thereof. The broken lines shown represent unclaimed subject matter and form no part of the claimed design.

1 Claim, 14 Drawing Sheets

- (56) **References Cited**
U.S. PATENT DOCUMENTS
5,575,668 A * 11/1996 Timmerman A47B 21/06
174/482
D602,442 S * 10/2009 Allwood D13/156
D659,647 S * 5/2012 Isaacks D13/156
D685,329 S * 7/2013 Byrne D13/139.4





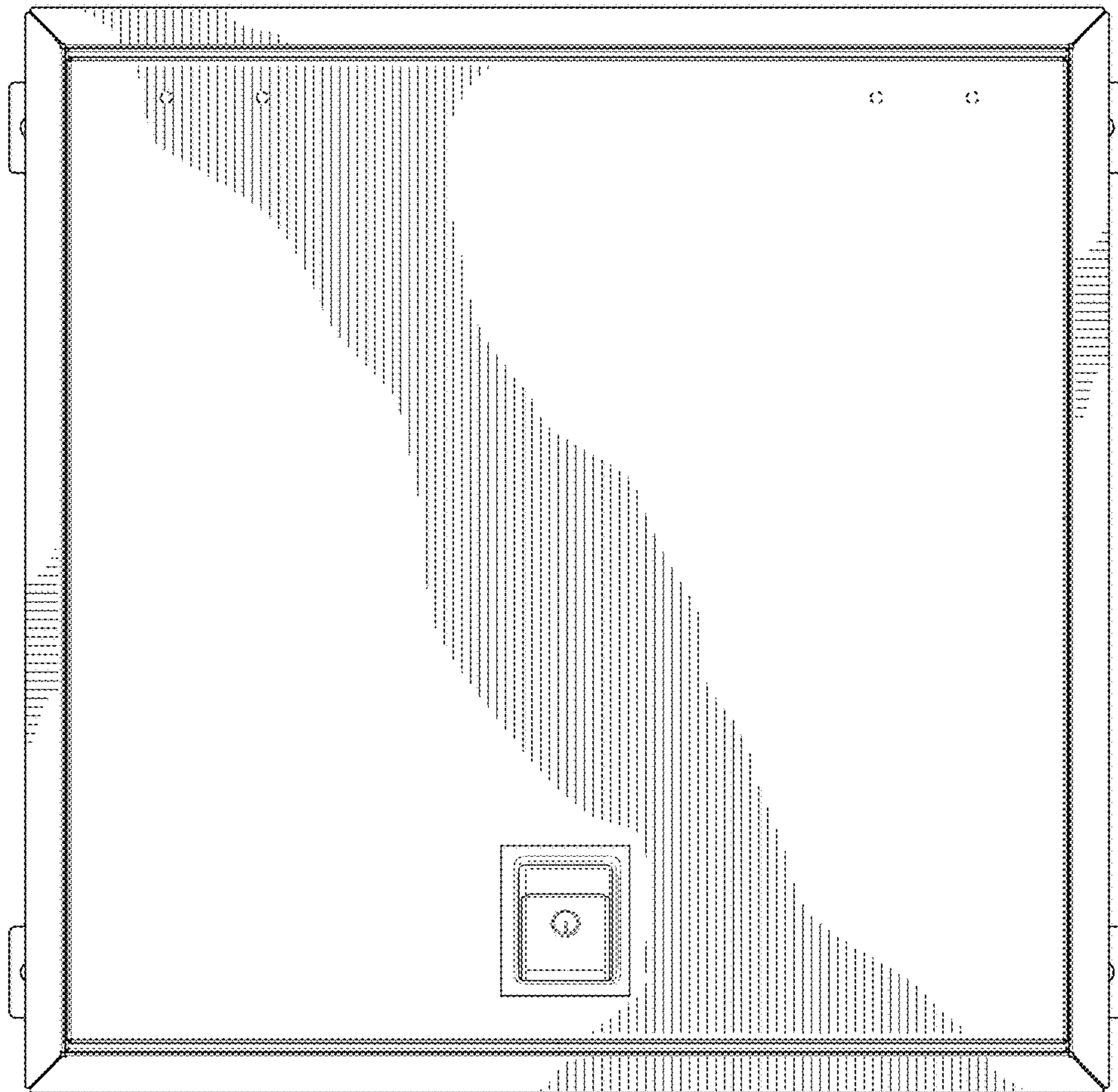


FIG. 2

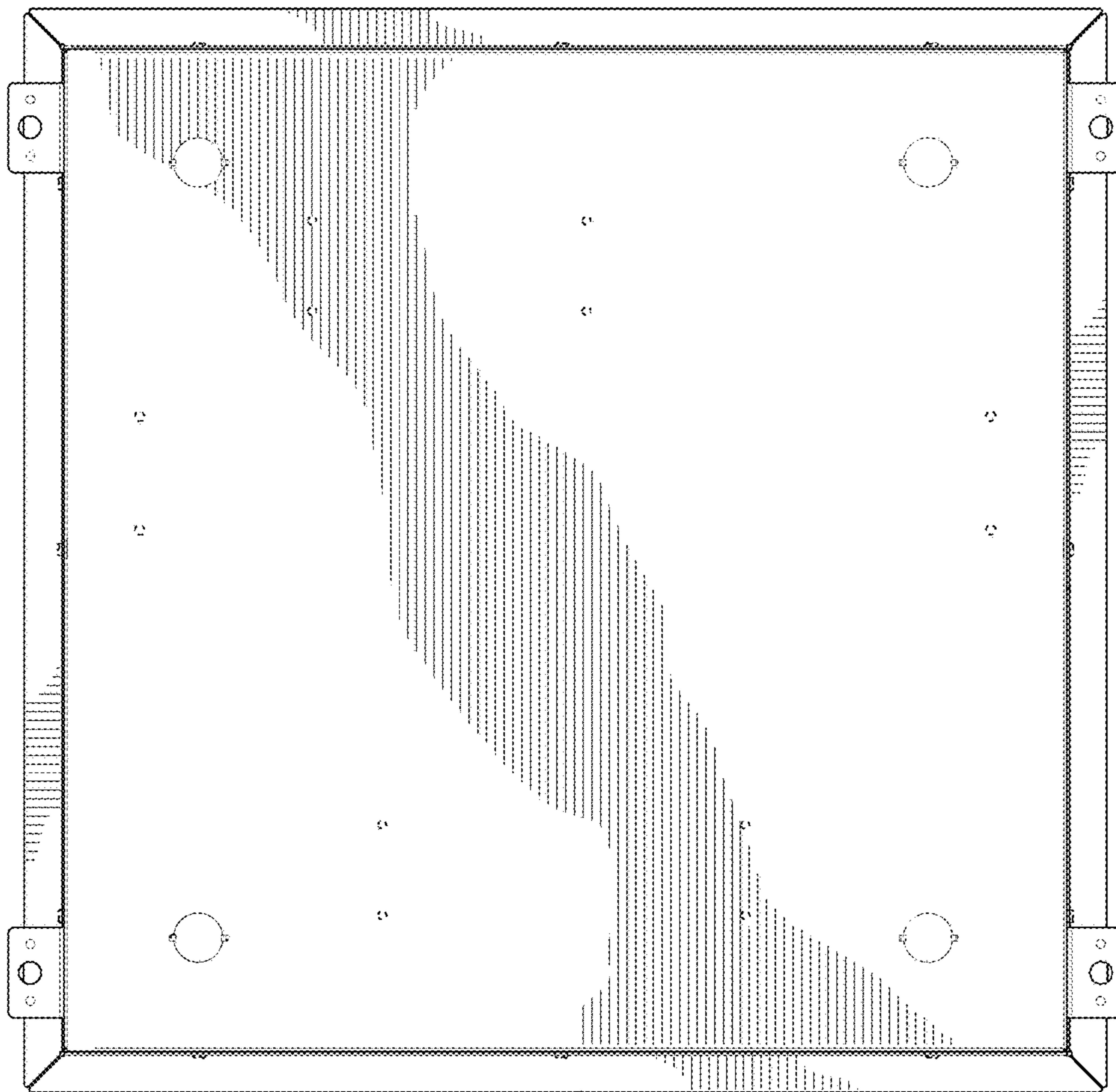


FIG. 3

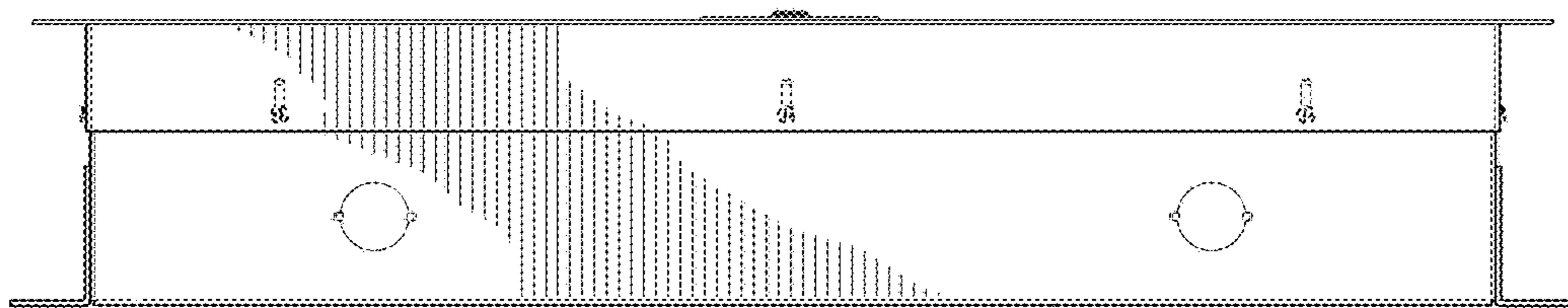


FIG. 4

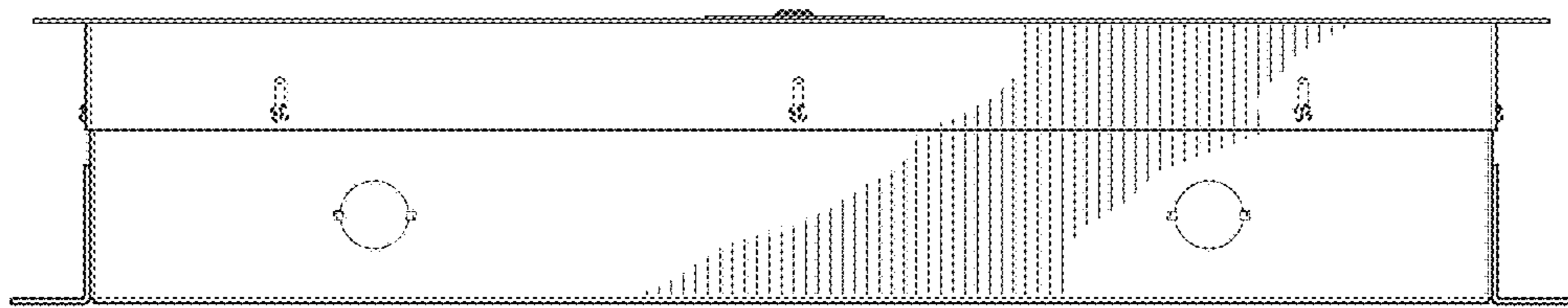


FIG. 5

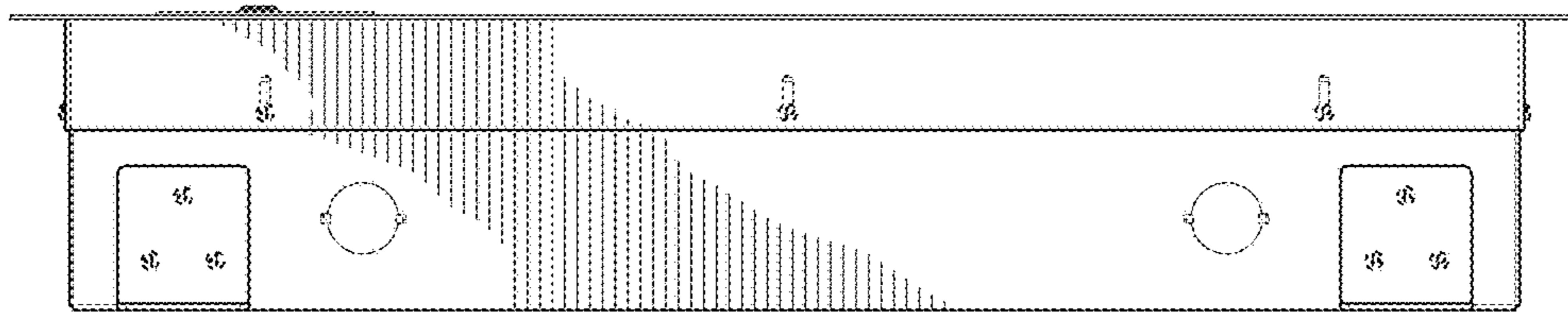


FIG. 6

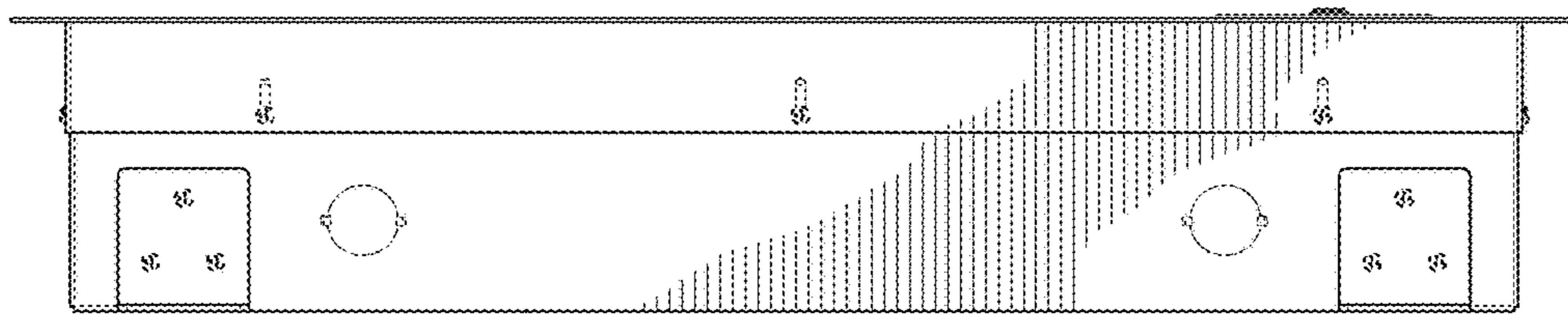
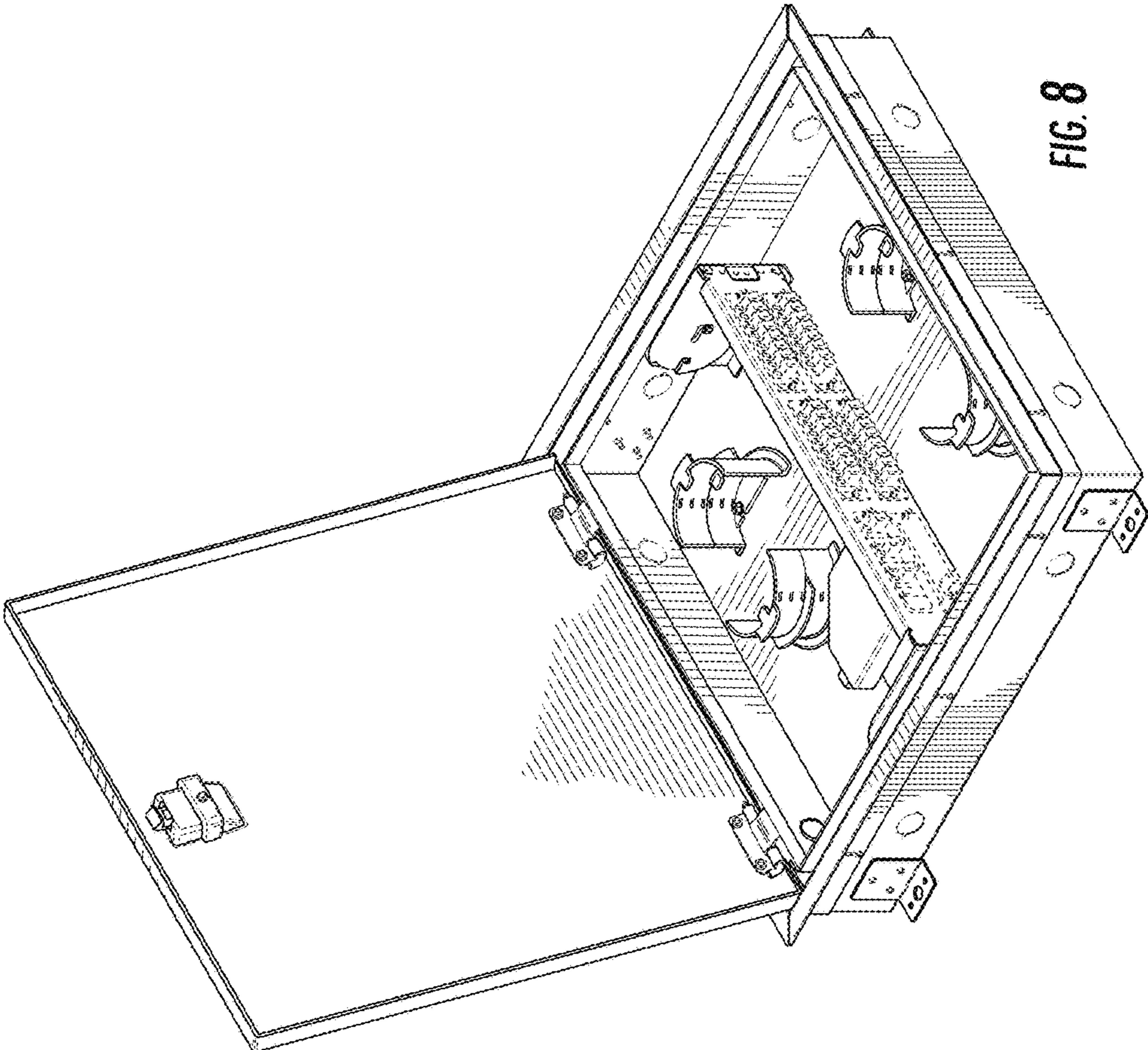


FIG. 7



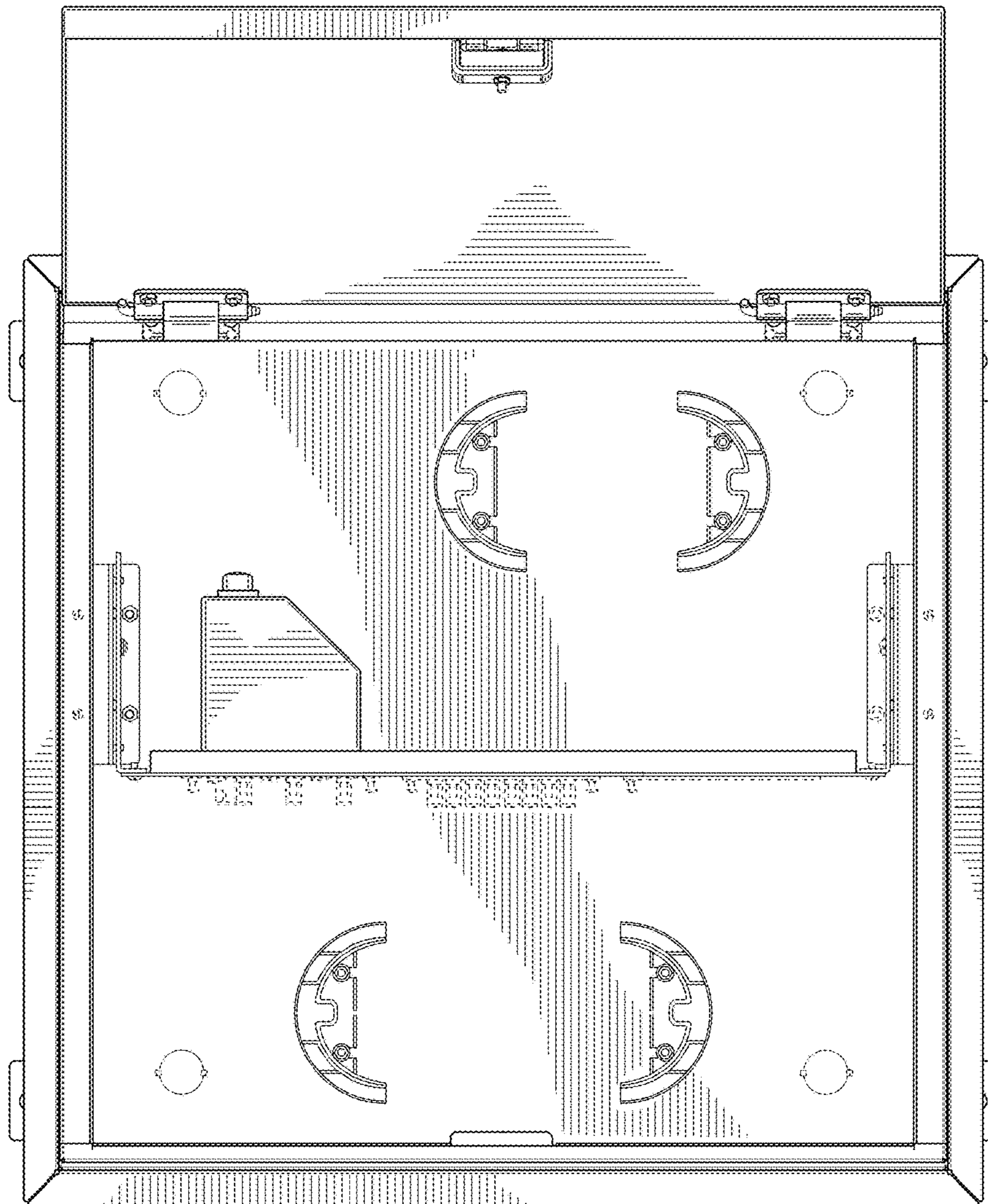


FIG. 9

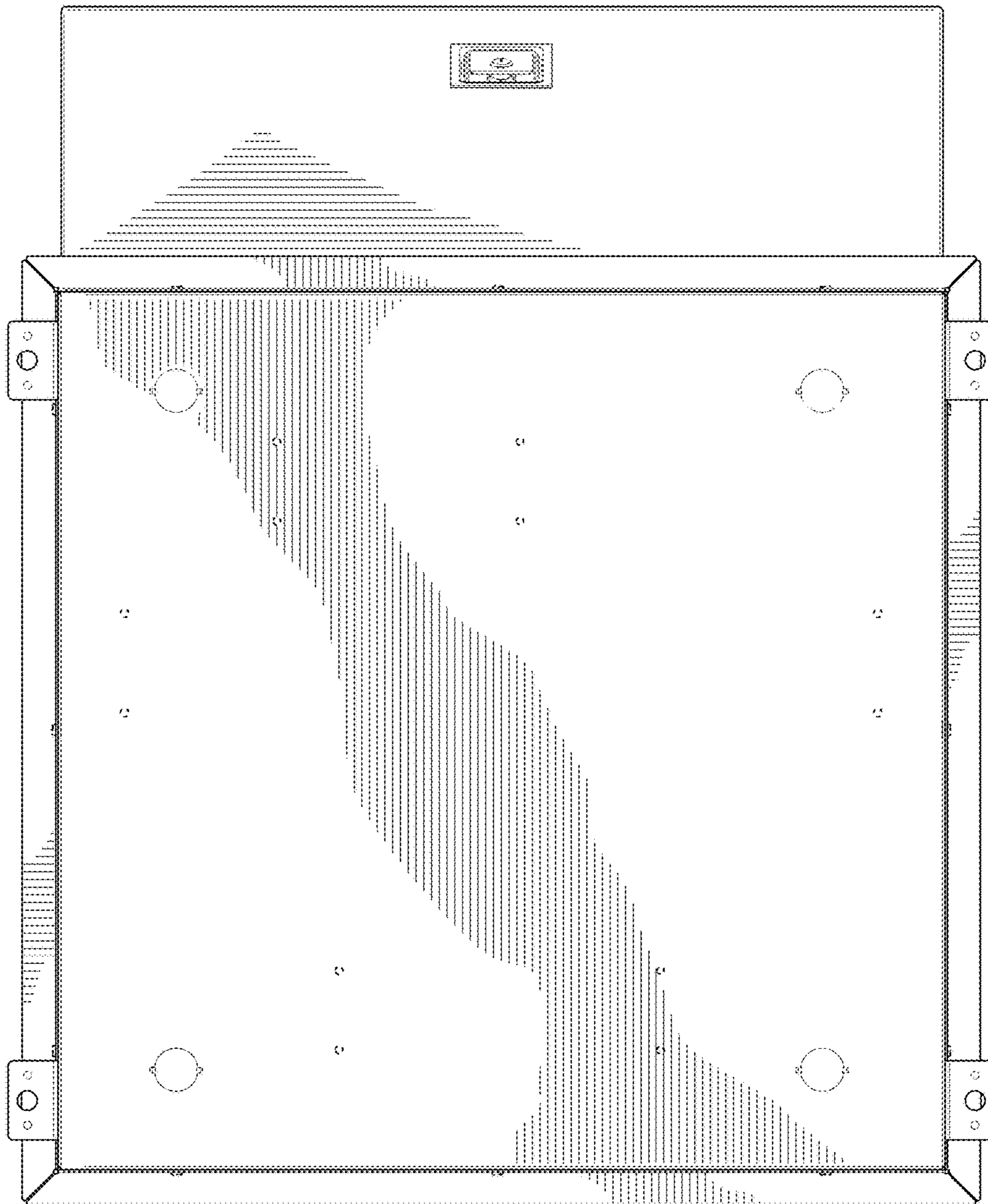


FIG. 10

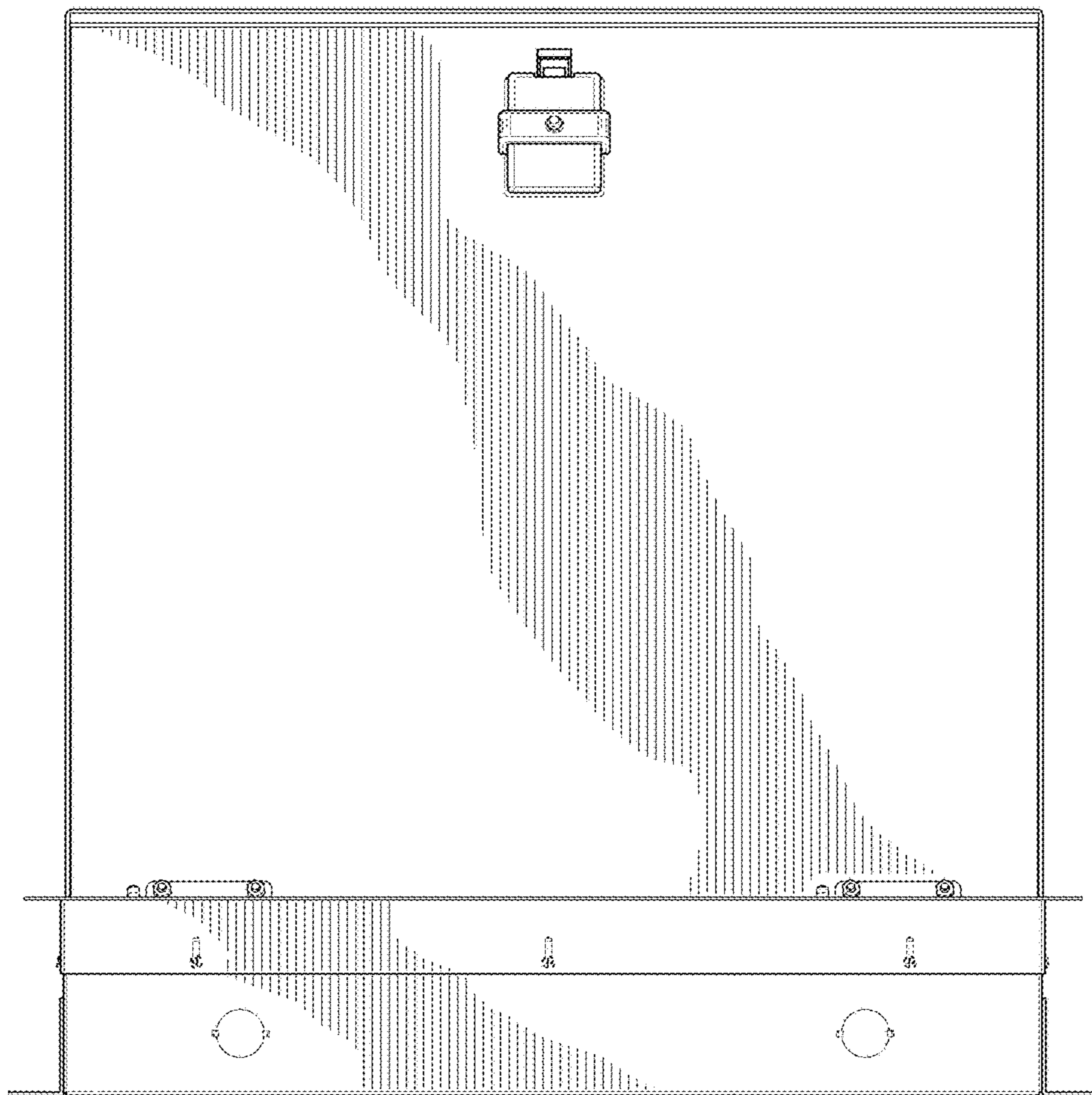


FIG. 11

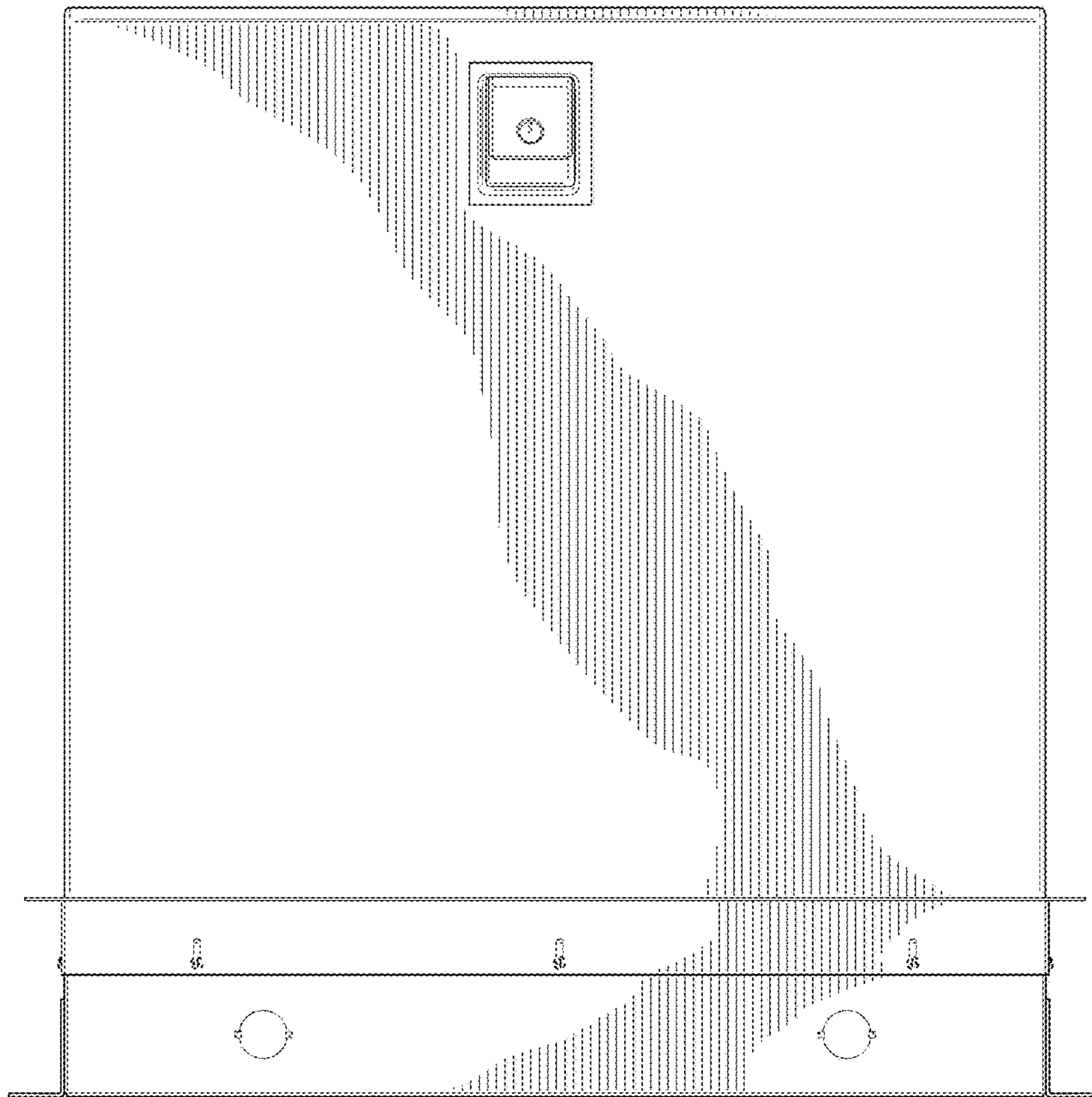
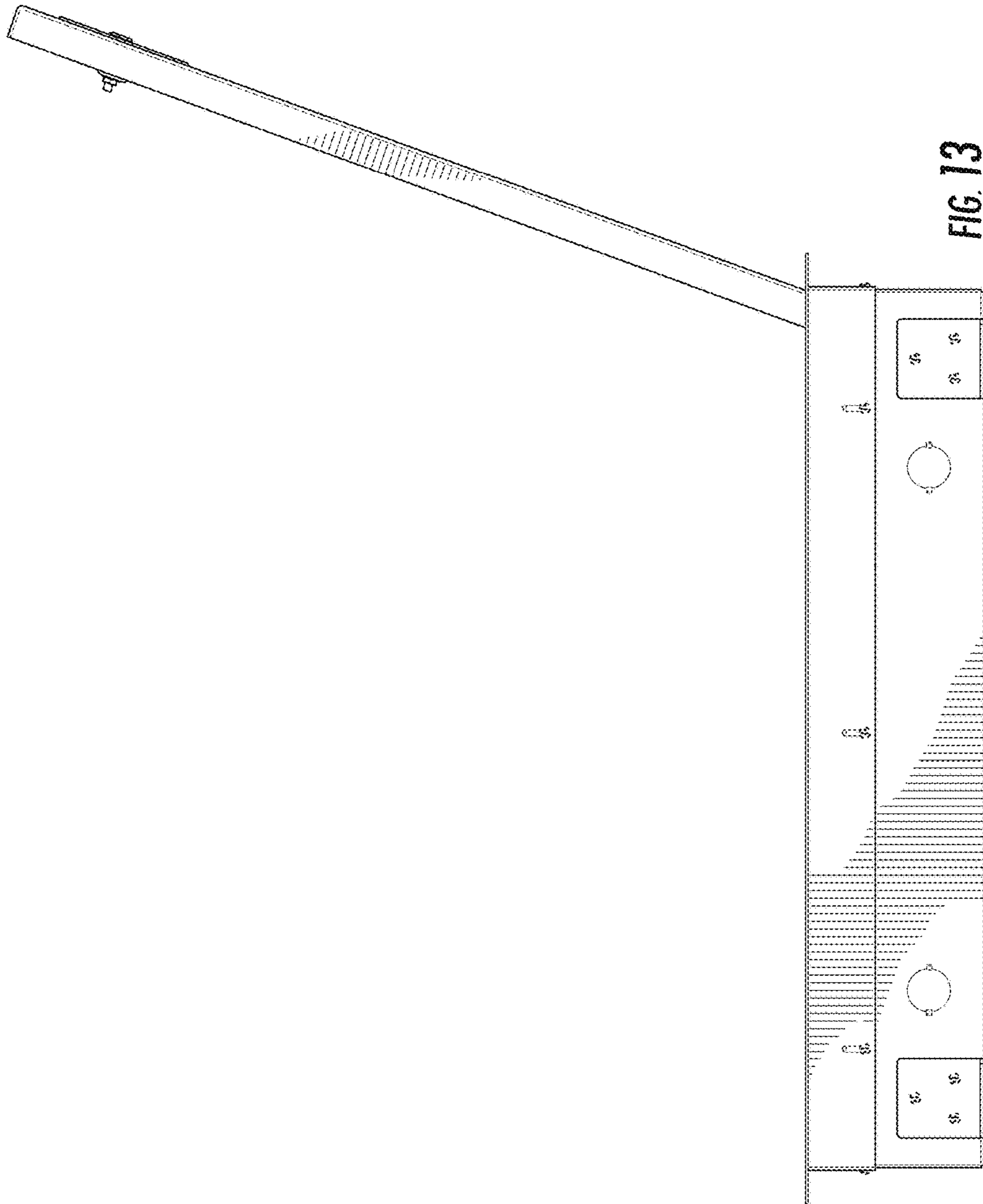


FIG. 12



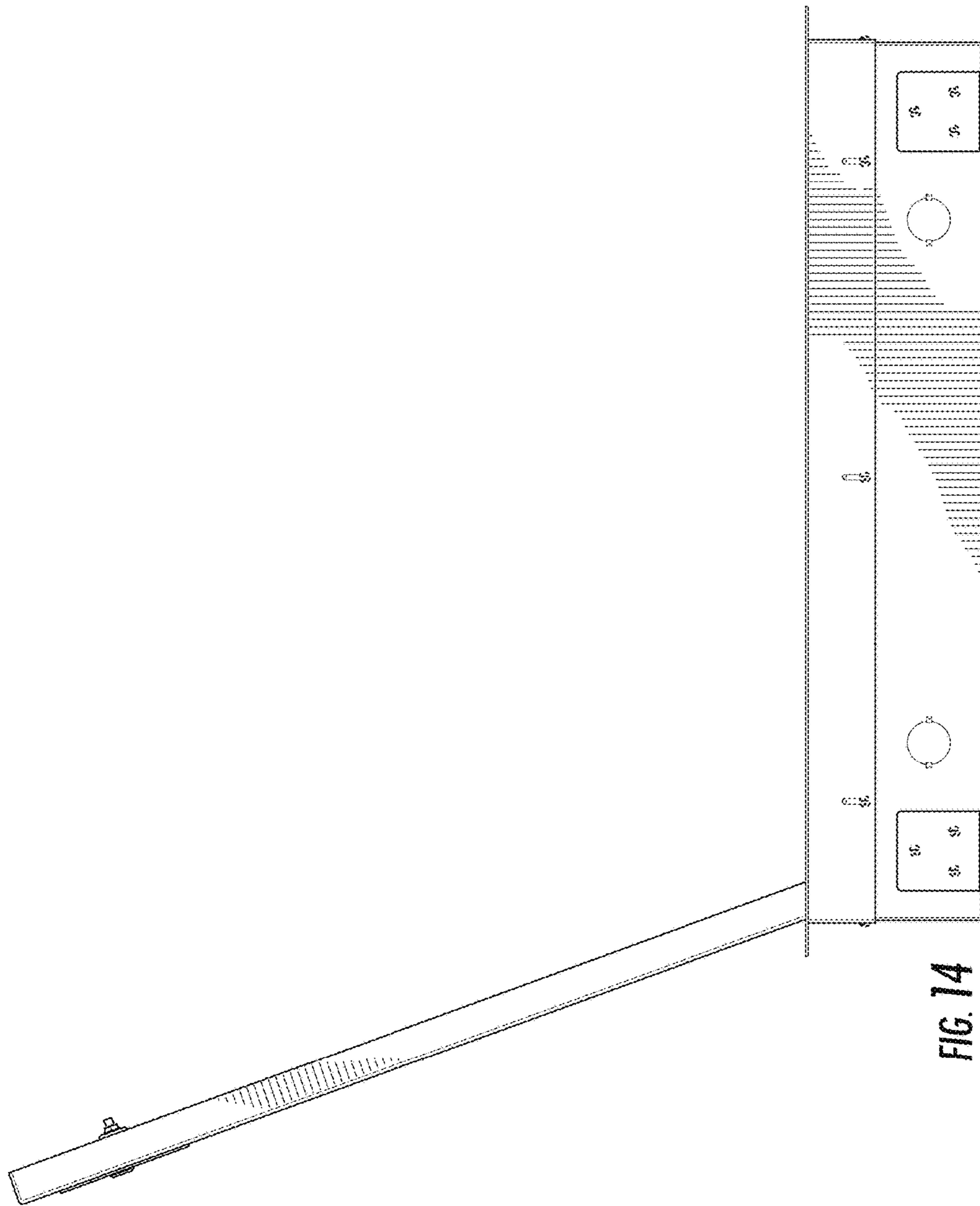


FIG. 14