



US00D801284S

(12) **United States Design Patent**
Hagarty

(10) **Patent No.:** **US D801,284 S**

(45) **Date of Patent:** **** Oct. 31, 2017**

(54) **EXTENSION RING WITH NARROW FLANGE**

(71) Applicant: **RANDL Industries, Inc.**, Spokane Valley, WA (US)

(72) Inventor: **Robert J. Hagarty**, Spokane, WA (US)

(73) Assignee: **RANDL Industries, Inc.**, Spokane Valley, WA (US)

(**) Term: **14 Years**

(21) Appl. No.: **29/508,386**

(22) Filed: **Nov. 5, 2014**

(51) **LOC (10) Cl.** **13-03**

(52) **U.S. Cl.**

USPC **D13/156**

(58) **Field of Classification Search**

USPC D13/156, 133, 152, 154, 173, 177, 184, D13/199; 174/53, 55, 58, 66, 67, 68.1,

(Continued)

(56) **References Cited**

U.S. PATENT DOCUMENTS

4,399,922 A 8/1983 Horsley
4,603,789 A 8/1986 Medlin, Sr.

(Continued)

OTHER PUBLICATIONS

Hagarty, R.J., "Outlet Box Adaptor," U.S. Appl. No. 29/393,963, filed Jun. 10, 2011.

(Continued)

Primary Examiner — Derrick Holland

(74) *Attorney, Agent, or Firm* — Christensen O'Connor Johnson Kindness PLLC

(57) **CLAIM**

The ornamental design for an extension ring with narrow flange, as shown and described.

DESCRIPTION

FIG. 1 is a front-right perspective of an extension ring with narrow flange in accordance with a first embodiment of the present design;

FIG. 2 is a rear-left perspective view of the extension ring with narrow flange shown in FIG. 1;

FIG. 3 is a front view of the extension ring with narrow flange shown in FIG. 1;

FIG. 4 is a rear view of the extension ring with narrow flange shown in FIG. 1;

FIG. 5 is a plan view of the extension ring with narrow flange shown in FIG. 1;

FIG. 6 is a bottom view of the extension ring with narrow flange shown in FIG. 1;

FIG. 7 is a left side view of the extension ring with narrow flange shown in FIG. 1; and

FIG. 8 is a right side view of the extension ring with narrow flange shown in FIG. 1.

FIG. 9 is a front-right perspective view of an extension ring with narrow flange in accordance with a second embodiment of the present design;

FIG. 10 is a rear-left perspective view of the extension ring with narrow flange shown in FIG. 9;

FIG. 11 is a front view of the extension ring with narrow flange shown in FIG. 9;

FIG. 12 is a rear view of the extension ring with narrow flange shown in FIG. 9;

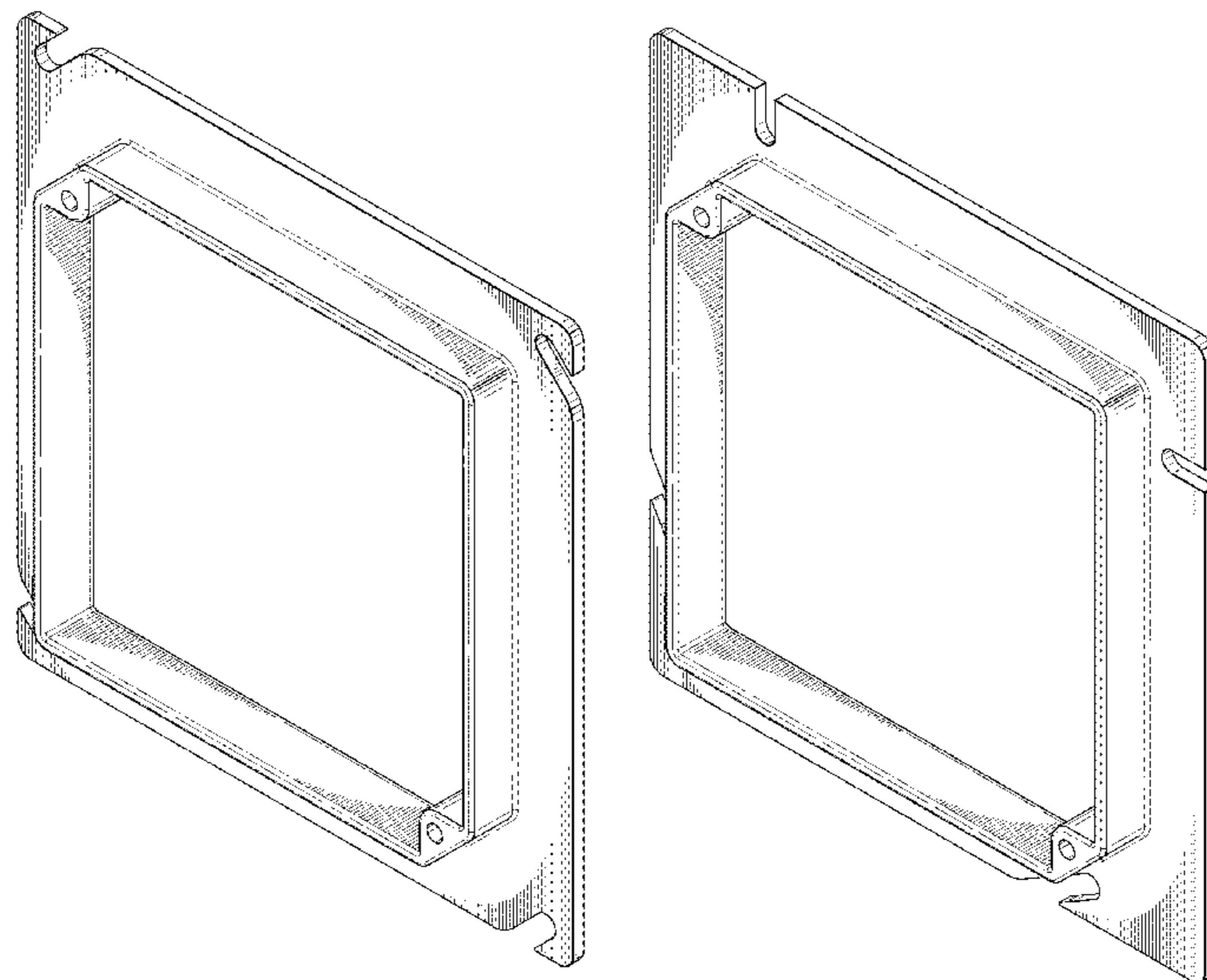
FIG. 13 is a plan view of the extension ring with narrow flange shown in FIG. 9;

FIG. 14 is a bottom view of the extension ring with narrow flange shown in FIG. 9;

FIG. 15 is a left side view of the extension ring with narrow flange shown in FIG. 9; and,

FIG. 16 is a right side view of the extension ring with narrow flange shown in FIG. 9.

1 Claim, 10 Drawing Sheets



US D801,284 S

Page 2

(58) **Field of Classification Search**
USPC 174/82, 535, 559; 220/3.2, 3.3, 3.5, 3.6,
220/3.9; 248/27.1; 439/527, 535, 536,
439/537
CPC .. H02G 3/08; H02G 3/14; H02G 3/18; H02G
3/20; H02G 3/081; H02G 3/086; H02G
3/088; H02G 3/121; H02G 3/125; H02G
15/10; H01H 9/02; H05K 7/14; Y10S
248/906

See application file for complete search history.

(56) **References Cited**

U.S. PATENT DOCUMENTS

4,613,728 A 9/1986 Lathrop
4,790,505 A 12/1988 Rose
5,098,046 A 3/1992 Webb
5,189,259 A 2/1993 Carson
5,263,676 A 11/1993 Medlin
D342,938 S 1/1994 Cheatham
5,423,499 A 6/1995 Webb
5,525,754 A 6/1996 Akins
D379,622 S 6/1997 Lynn
5,663,525 A 9/1997 Newman
5,931,325 A * 8/1999 Filipov H02G 3/081
174/57
6,066,803 A 5/2000 Hagarty
6,103,972 A 8/2000 Hagarty
6,164,475 A 12/2000 Jorgensen
6,379,166 B1 4/2002 Hagarty
6,384,334 B1 5/2002 Webb
D462,939 S 9/2002 Dinh
6,573,449 B2 6/2003 Vrame
6,590,155 B2 7/2003 Vrame
6,608,252 B2 8/2003 Hurley
D493,695 S 8/2004 Wengrower

6,858,802 B2 2/2005 Hagarty
D528,513 S * 9/2006 Grendahl H02G 3/12
D13/156
D540,654 S 4/2007 Aubert Capella
D545,276 S 6/2007 Dinh
7,271,336 B2 9/2007 Dinh
D555,108 S 11/2007 Strong
7,301,099 B1 * 11/2007 Korcz H02G 3/14
174/135
7,495,170 B2 * 2/2009 Dinh H02G 3/123
174/135
D588,067 S 3/2009 Seropian
D597,960 S 8/2009 Dinh
7,645,936 B2 * 1/2010 Magno, Jr. H02G 3/14
174/50
8,253,040 B2 8/2012 Hopkins
D698,737 S 2/2014 Hagarty
D707,635 S 6/2014 Hagarty
D719,528 S 12/2014 Hagarty
D719,529 S 12/2014 Hagarty

OTHER PUBLICATIONS

Hagarty, R.J., "Plaster Ring," U.S. Appl. No. 29/424,576, filed Jun. 13, 2012.
Hagarty, R.J., "Plaster Ring," U.S. Appl. No. 29/447,297, filed Mar. 1, 2013.
Hagarty, R.J., "Plaster Ring with Wide Flange," U.S. Appl. No. 29/471,962, filed Nov. 6, 2013.
Hagarty, R.J., "Single Gang Extension Ring," U.S. Appl. No. 29/507,982, filed Oct. 31, 2014.
Hagarty, R.J., "Double Gang Extension Ring," U.S. Appl. No. 29/507,986, filed Oct. 31, 2014.
Hagarty, R.J., "Extension Ring With Corner Attachments," U.S. Appl. No. 29/508,388, filed Nov. 5, 2014.

* cited by examiner

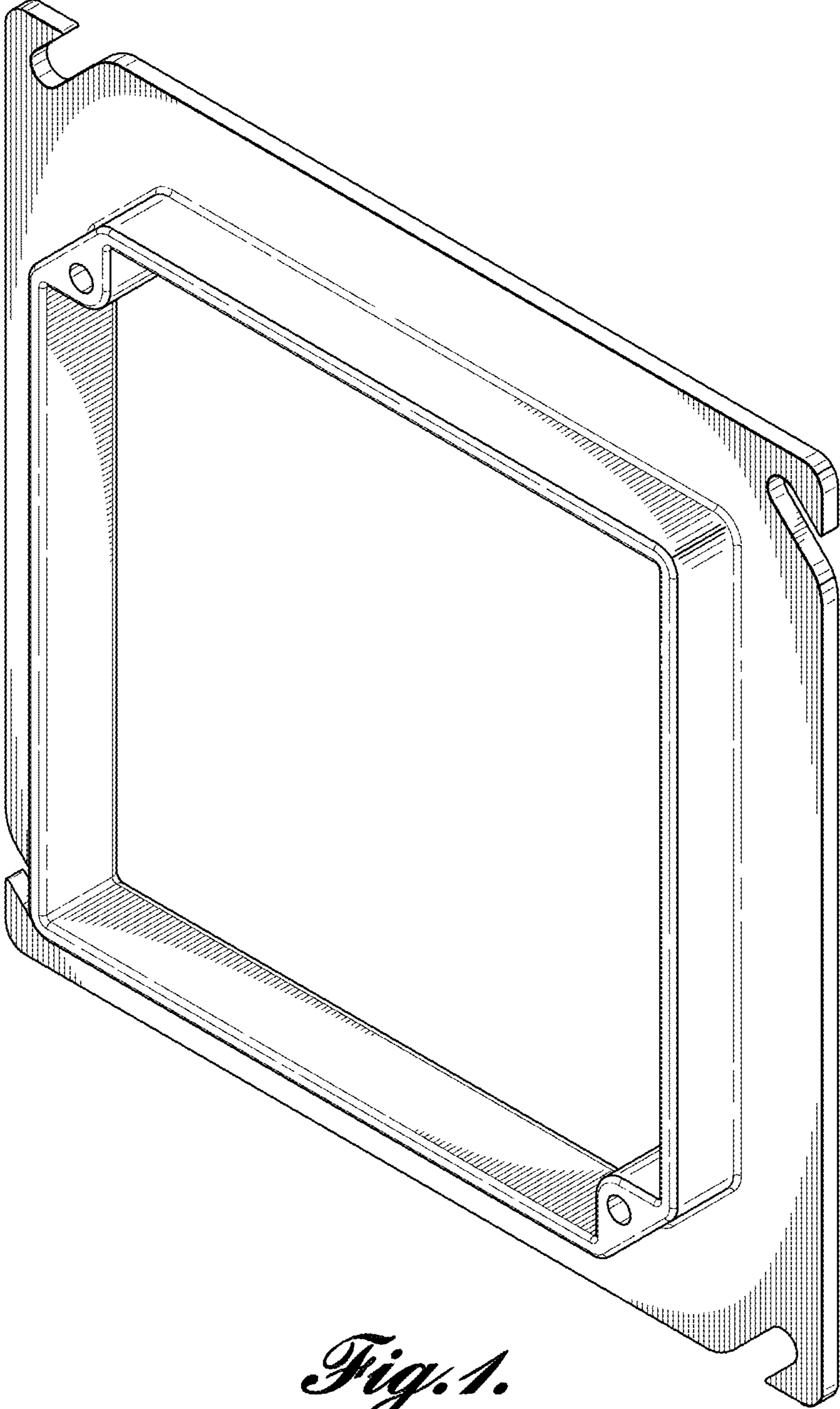


Fig. 1.

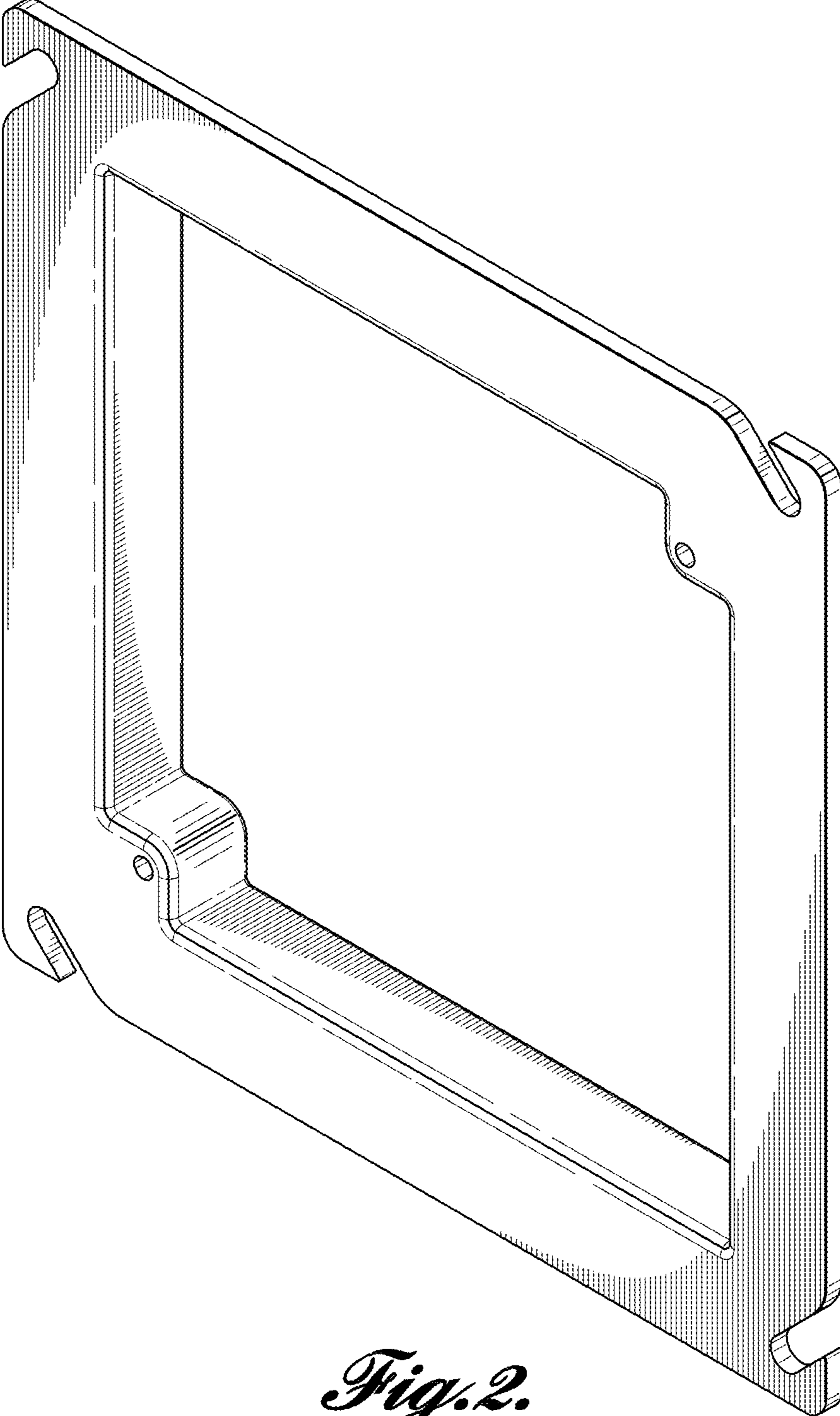


Fig. 2.

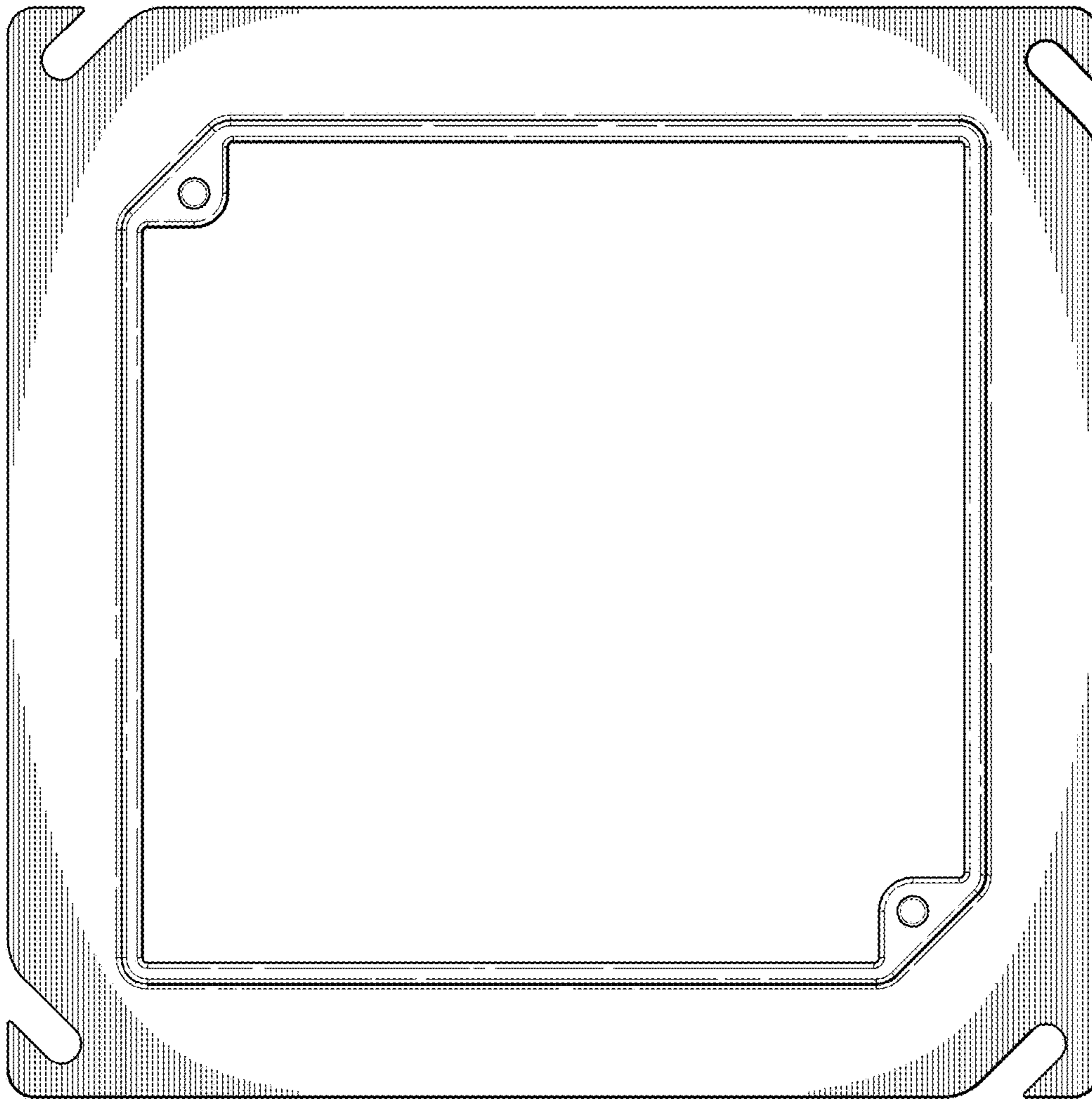


Fig. 3.

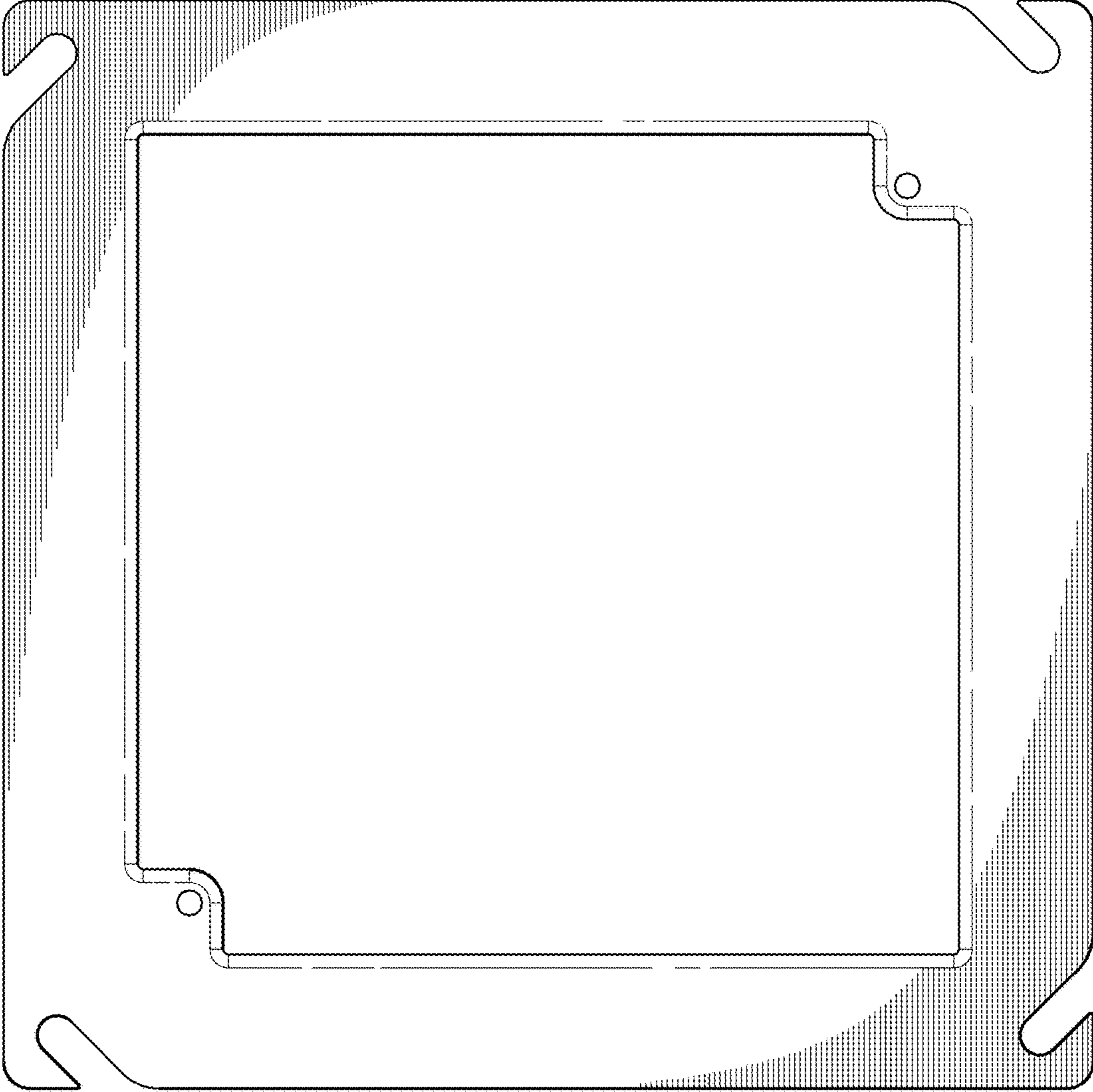


Fig. 4.

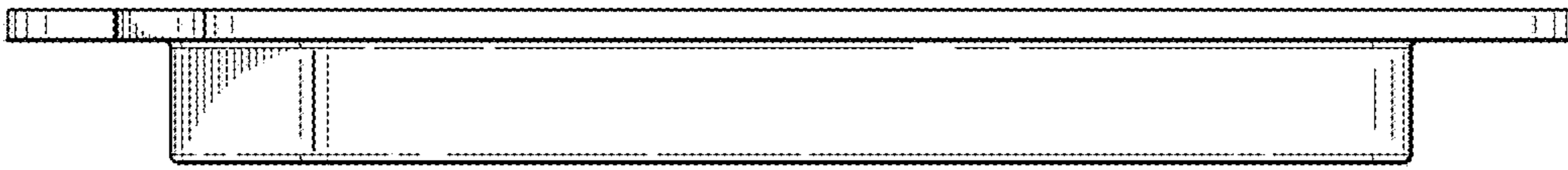


Fig. 5.

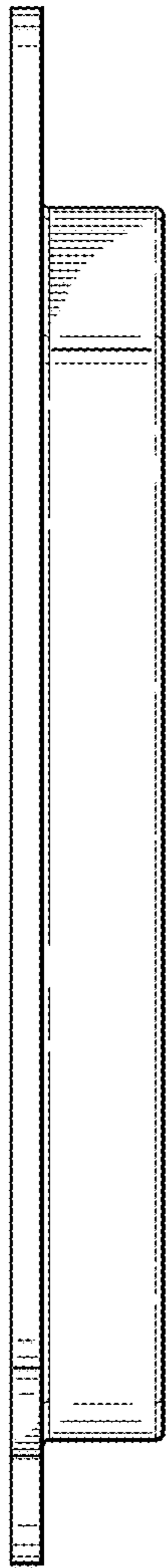


Fig. 7.

Fig. 8.

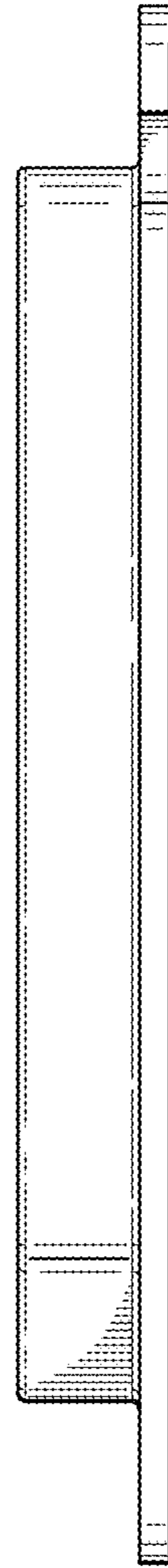


Fig. 6.

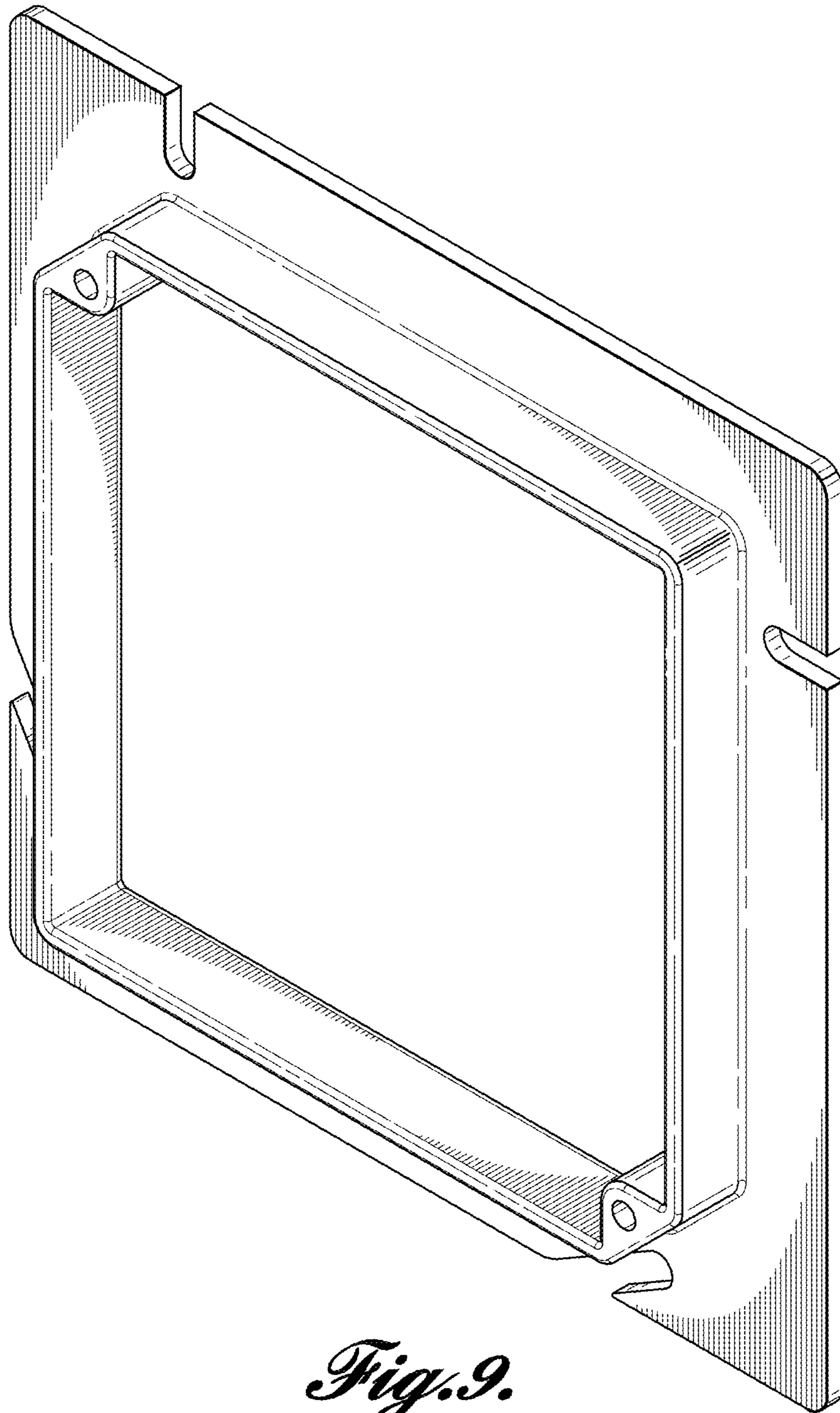


Fig. 9.

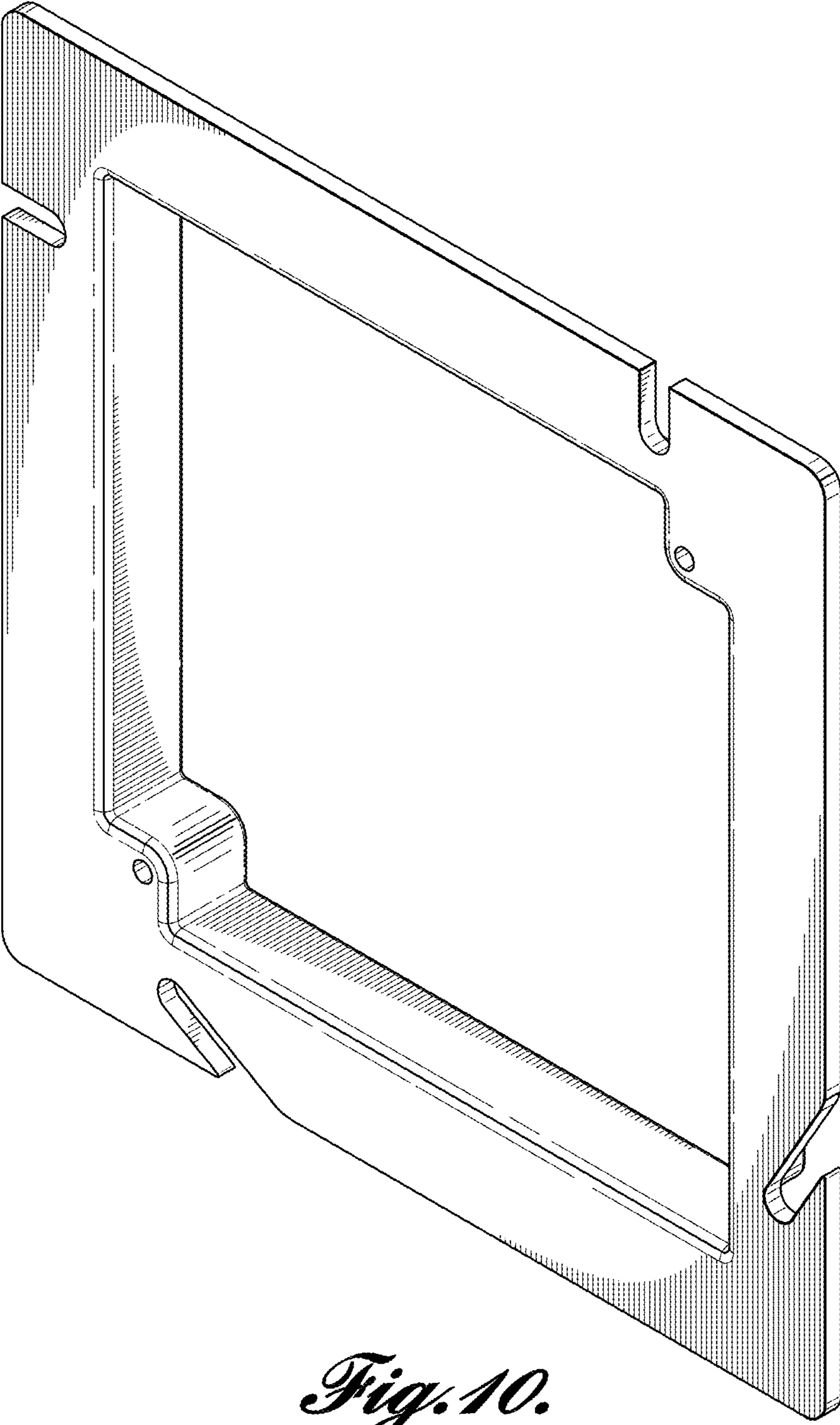


Fig. 10.

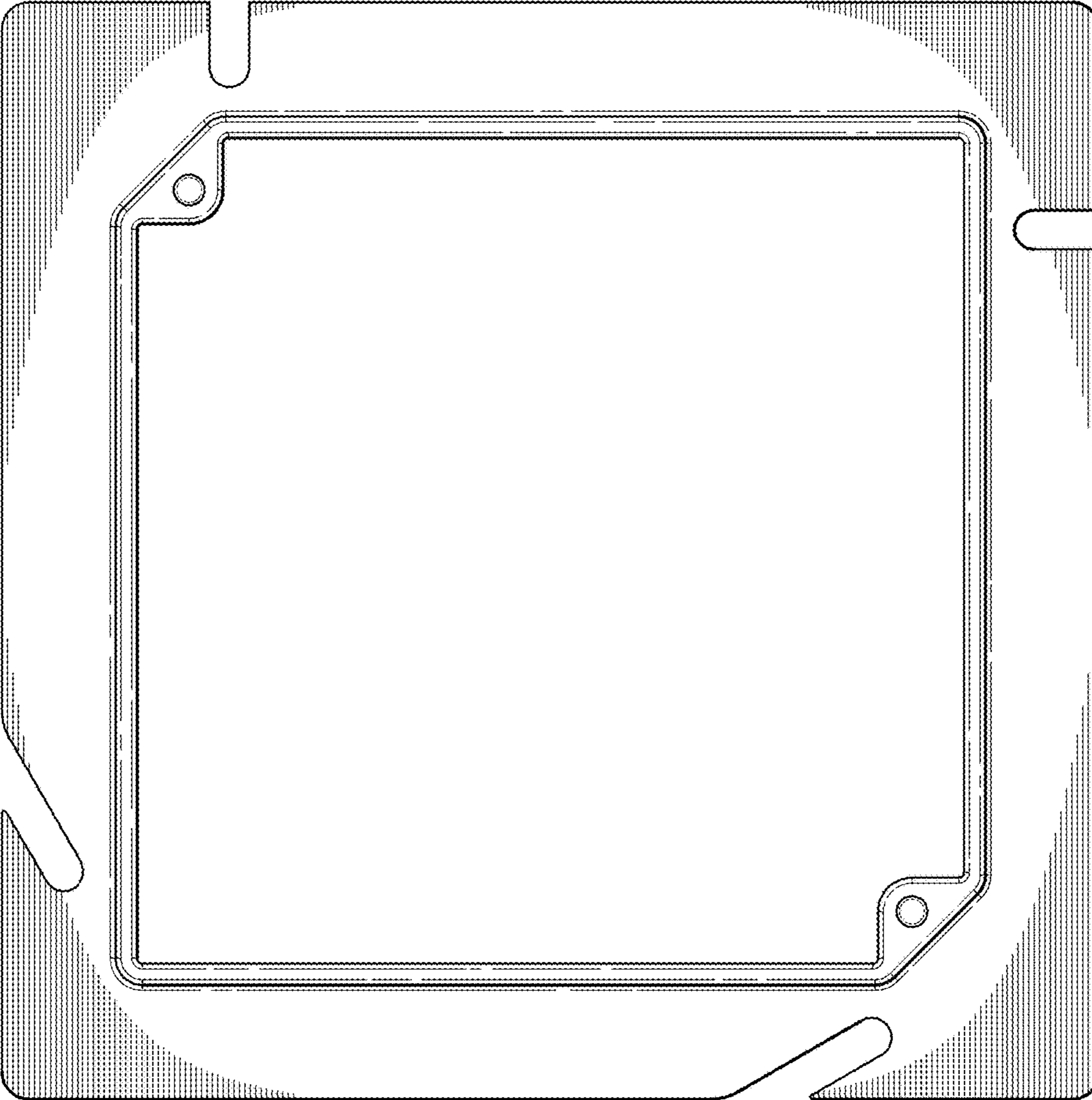


Fig. 11.

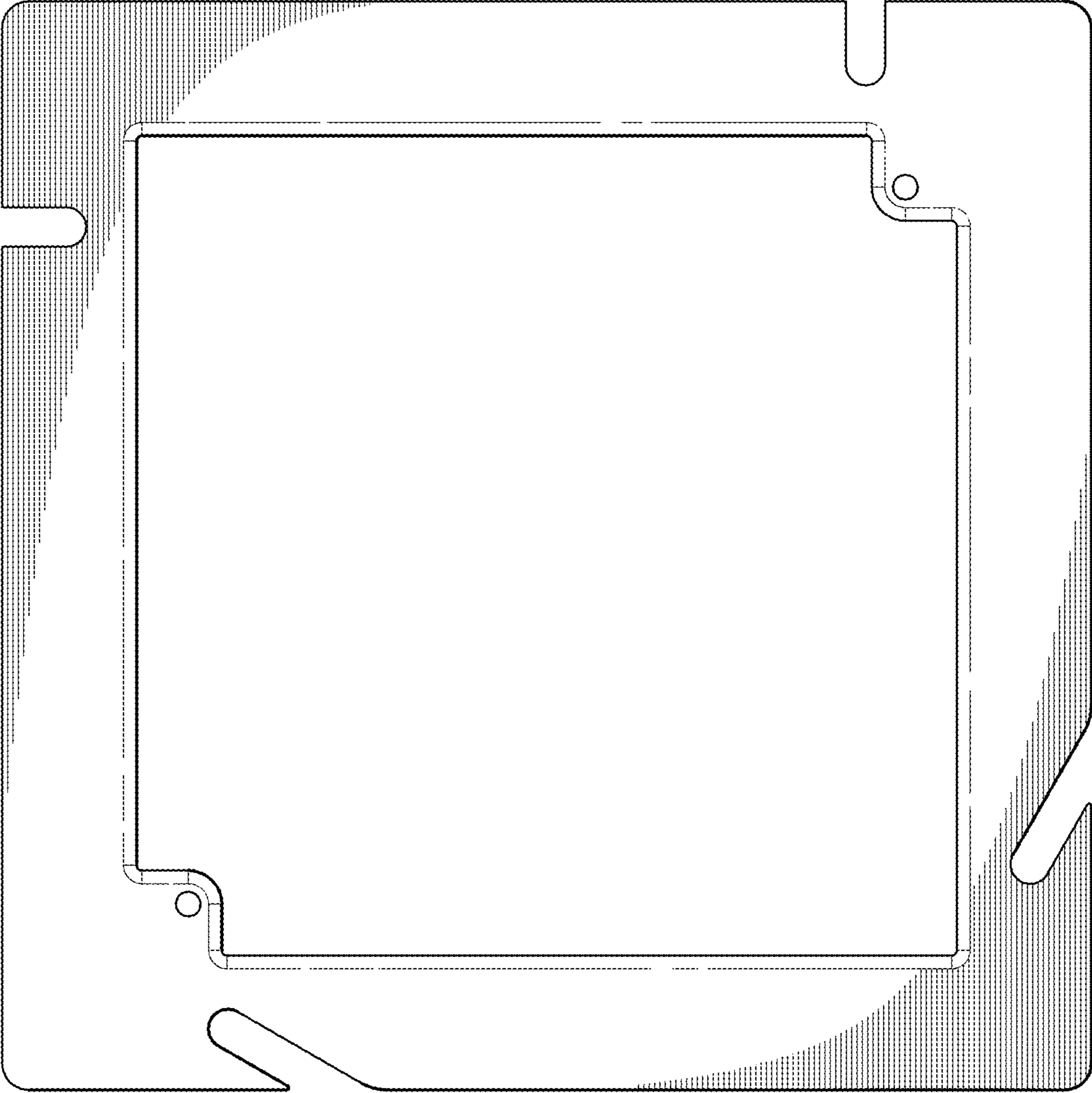


Fig. 12.

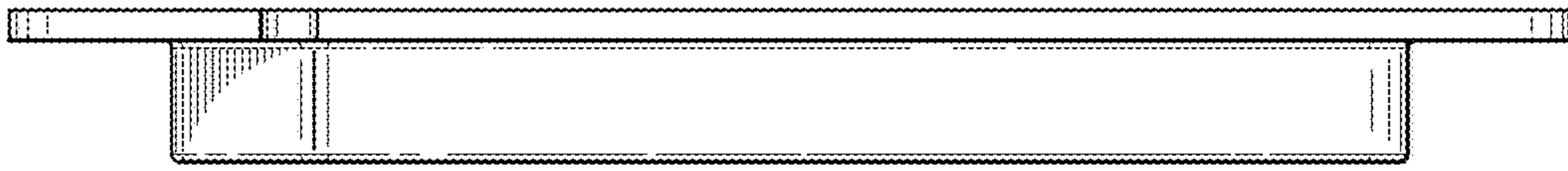


Fig. 13.

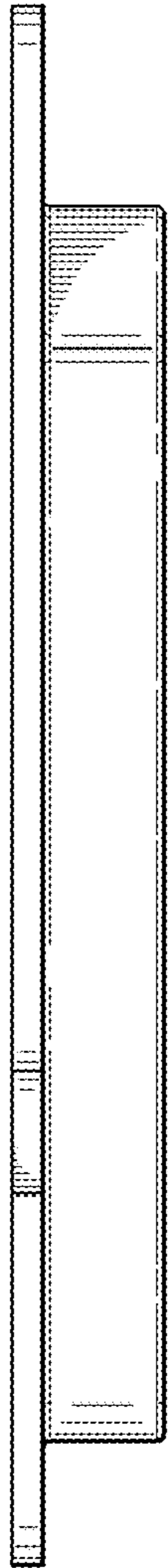


Fig. 15.

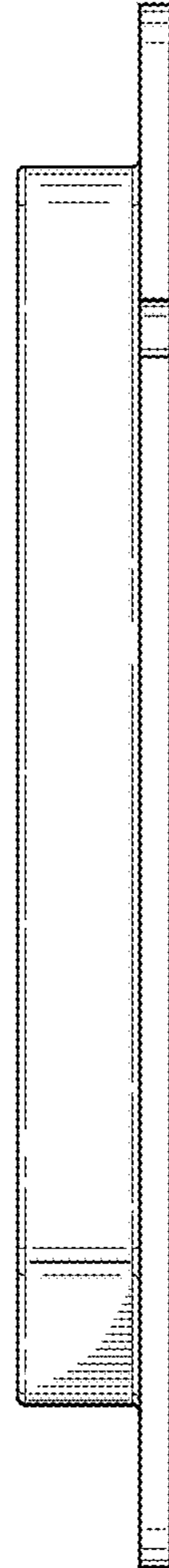


Fig. 16.

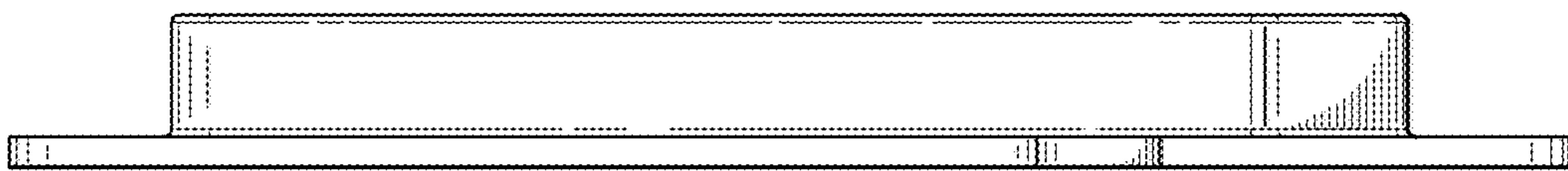


Fig. 14.