



US00D801282S

(12) **United States Design Patent**
Hsieh

(10) **Patent No.:** **US D801,282 S**

(45) **Date of Patent:** **** Oct. 31, 2017**

(54) **CABLE PROTECTOR**

(71) Applicant: **Chen Hsieh**, New Taipei (TW)

(72) Inventor: **Chen Hsieh**, New Taipei (TW)

(**) Term: **15 Years**

(21) Appl. No.: **29/541,463**

(22) Filed: **Oct. 3, 2015**

(51) **LOC (10) Cl.** **13-03**

(52) **U.S. Cl.**

USPC **D13/154**; D13/156

(58) **Field of Classification Search**

USPC D13/133, 146, 147, 154, 156, 184, 199;
D14/432, 433, 434, 435.1, 438

CPC H01R 4/24; H01R 13/52; H01R 13/533;
H01R 13/58; H01R 43/16

See application file for complete search history.

(56) **References Cited**

U.S. PATENT DOCUMENTS

D555,094 S	*	11/2007	Victor	D13/133
D582,353 S	*	12/2008	Victor	D13/156
D584,238 S	*	1/2009	Victor	D13/156
D586,750 S	*	2/2009	Li	D13/133
D586,758 S	*	2/2009	Victor	D13/156
D593,959 S	*	6/2009	Victor	D13/156

D671,076 S	*	11/2012	Victor	D13/147
D675,166 S	*	1/2013	Hopper	D13/156

* cited by examiner

Primary Examiner — Daniel Bui

(74) *Attorney, Agent, or Firm* — Quickpatents, LLC;
Kevin Prince

(57) **CLAIM**

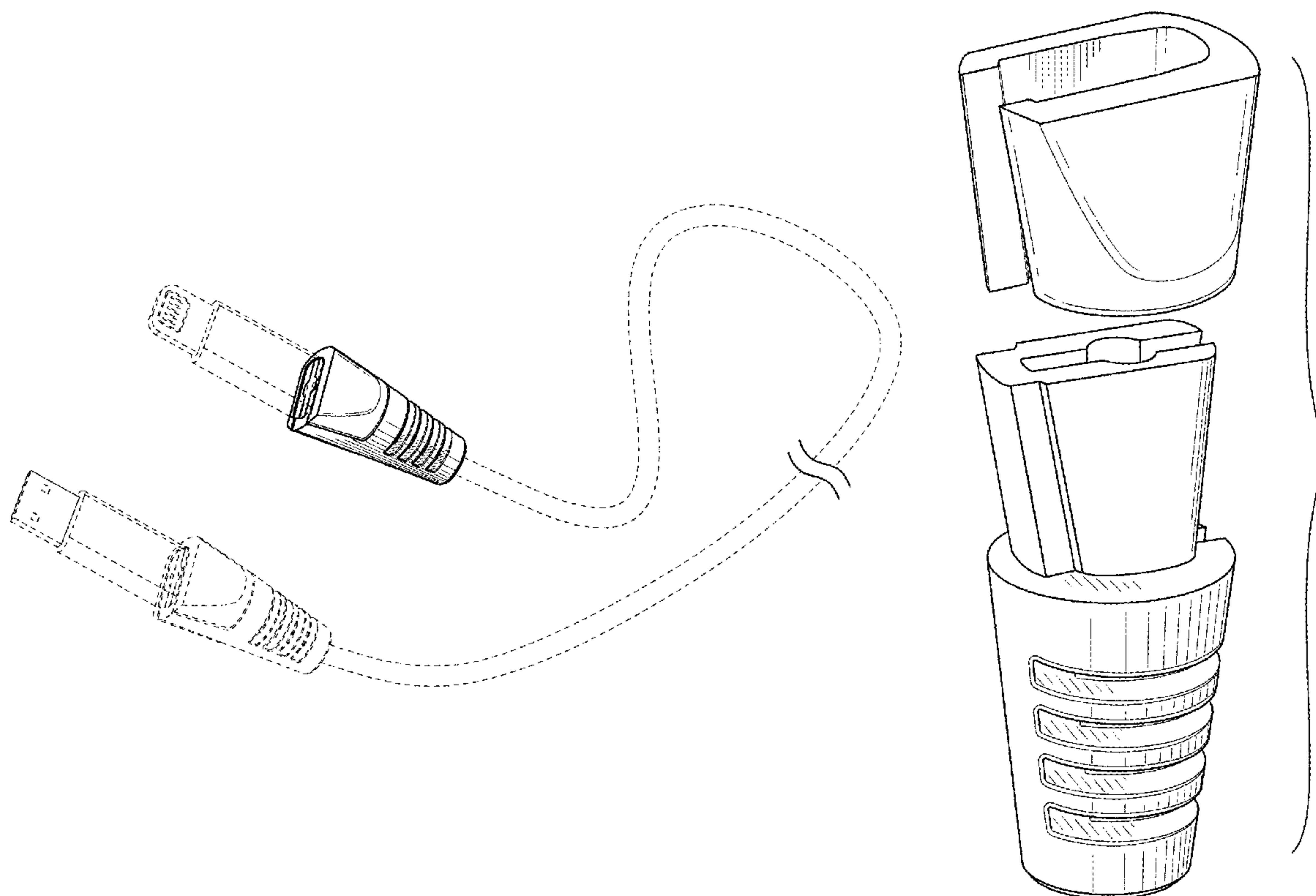
I claim the ornamental design for a cable protector, as shown and described.

DESCRIPTION

FIG. 1 is a perspective view of a cable protector in use condition, showing my new design;
 FIG. 2 is a front elevational view thereof;
 FIG. 3 is a rear elevational view thereof;
 FIG. 4 is a right-side elevational view thereof;
 FIG. 5 is a left-side elevational view thereof;
 FIG. 6 is a top plan view thereof;
 FIG. 7 is a bottom plan view thereof;
 FIG. 8 is an exploded front perspective view thereof;
 FIG. 9 is an exploded front elevational view thereof;
 FIG. 10 is an exploded right-side elevational view thereof;
 FIG. 11 is an exploded left-side elevational view thereof;
 and,
 FIG. 12 is an exploded top plan view thereof.

The broken line in FIG. 1 drawing view represents unclaimed environment only and forms no part of the claimed design.

1 Claim, 5 Drawing Sheets



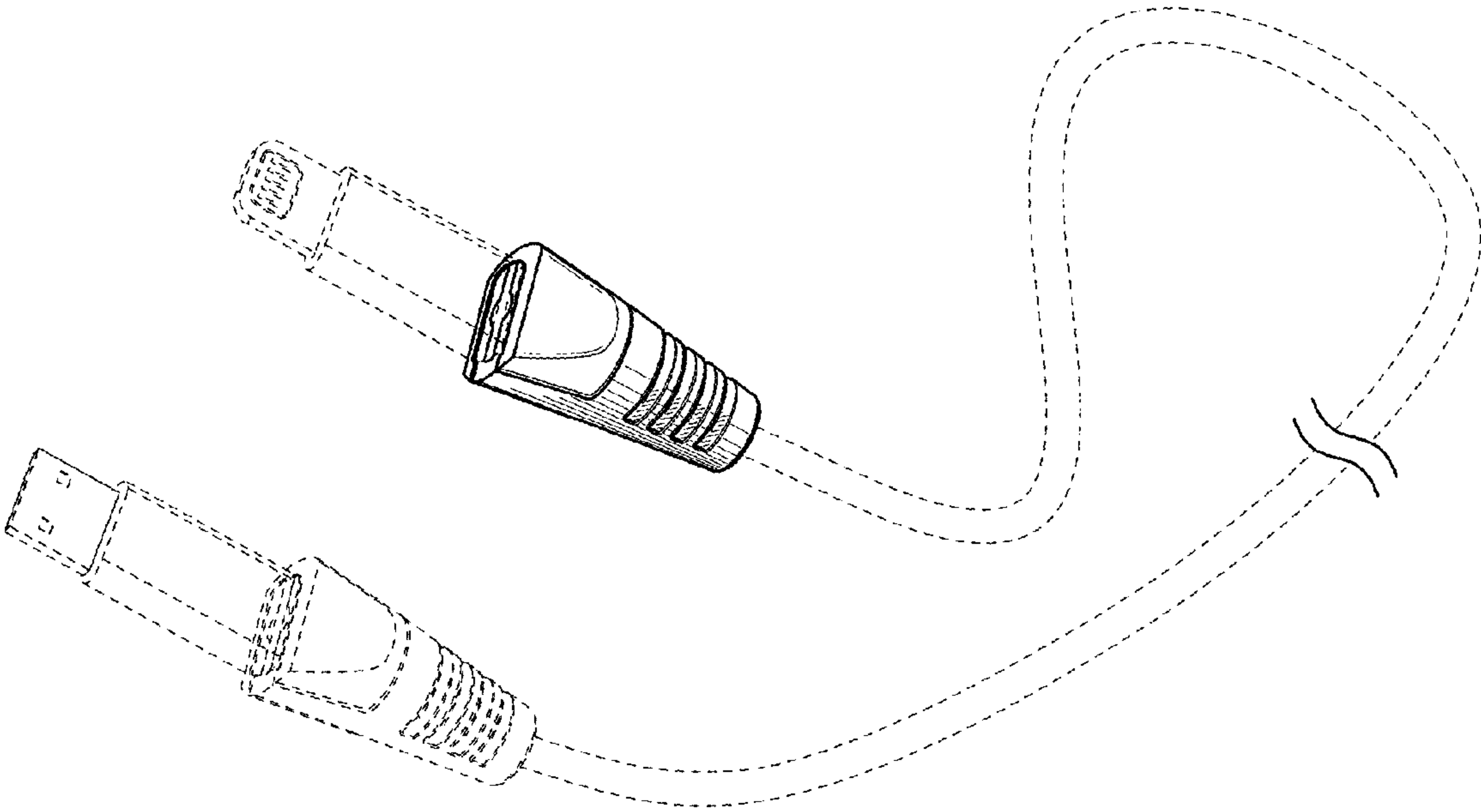


FIG. 1

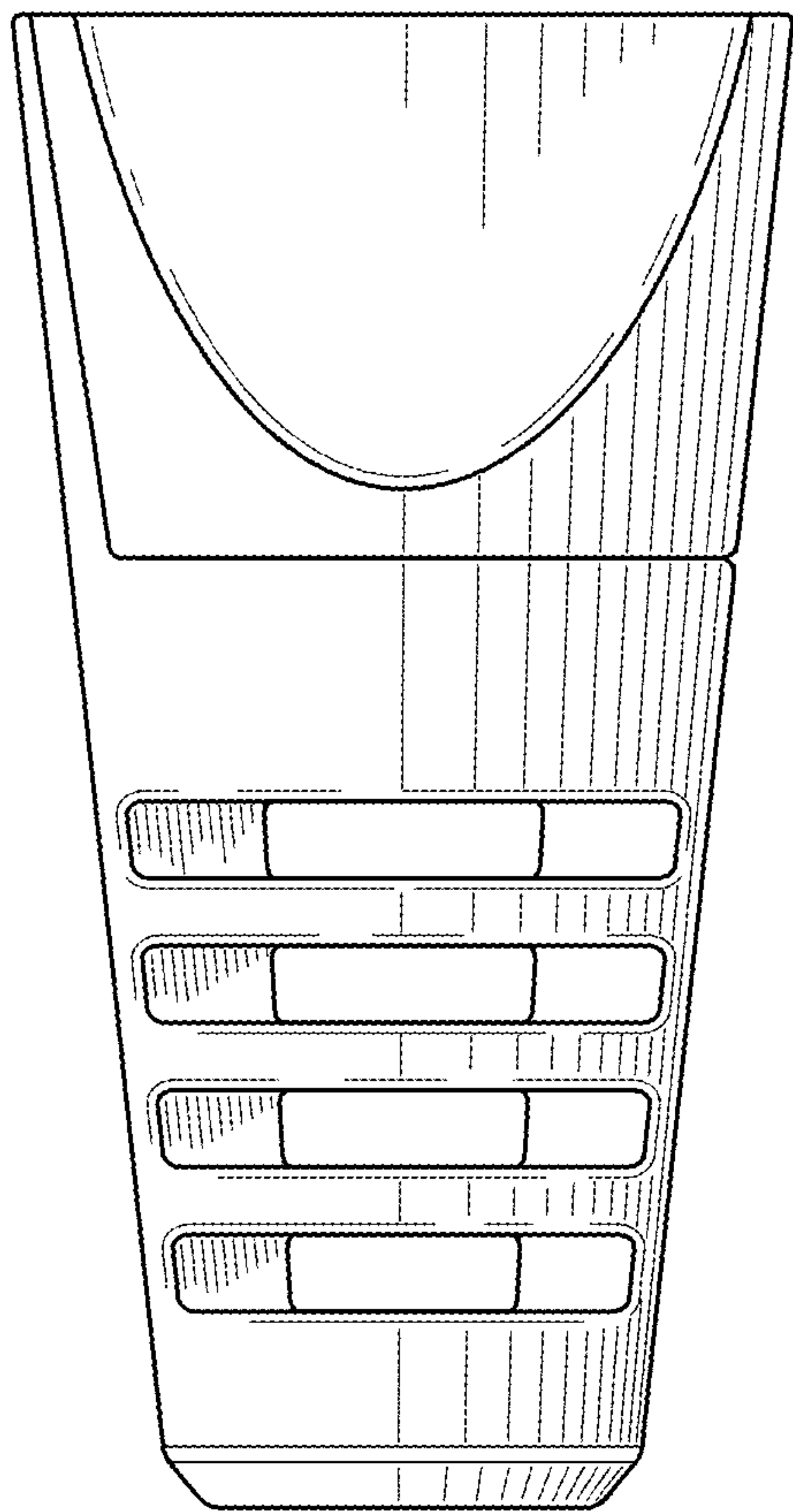


FIG. 2

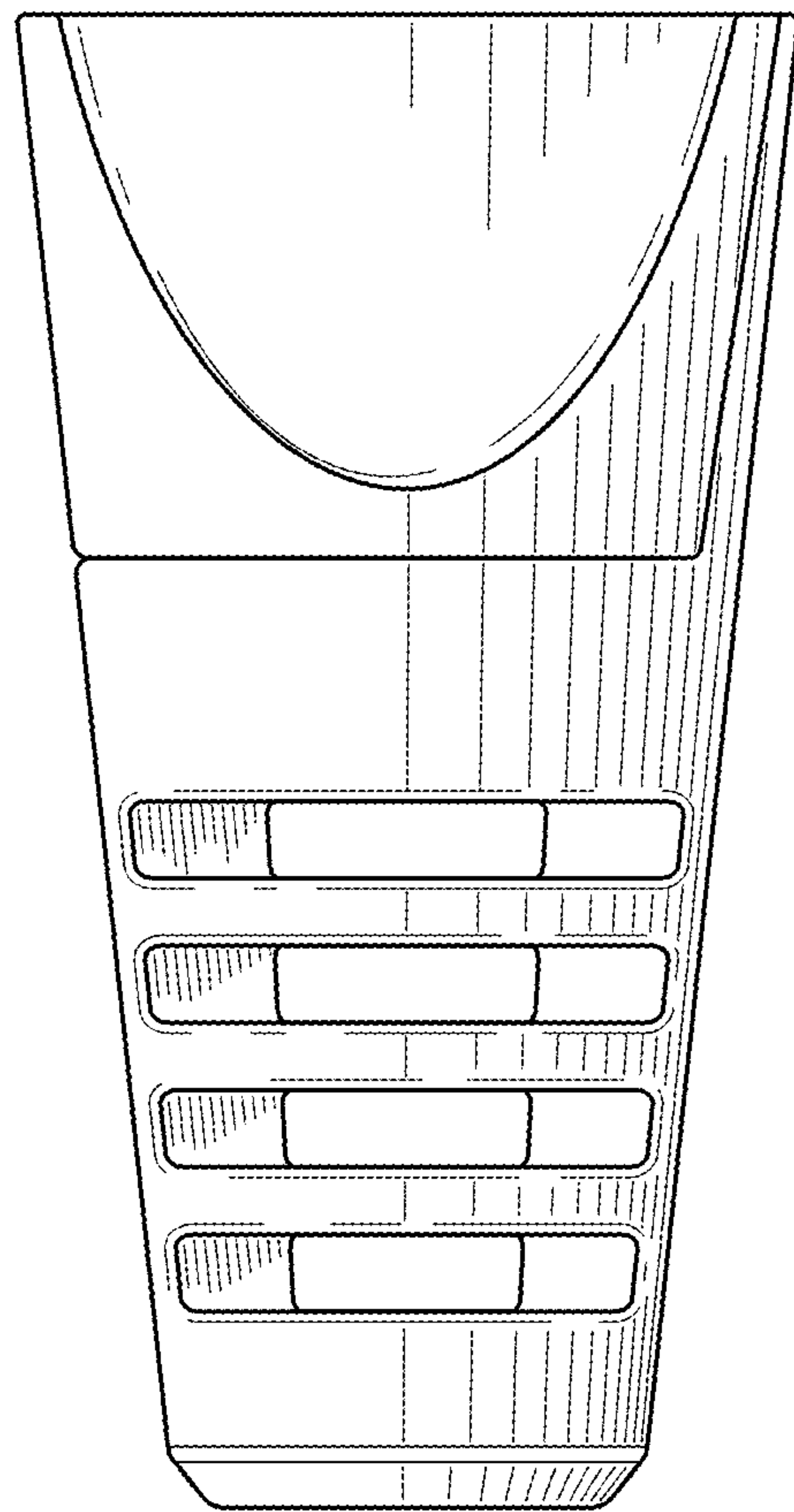


FIG. 3

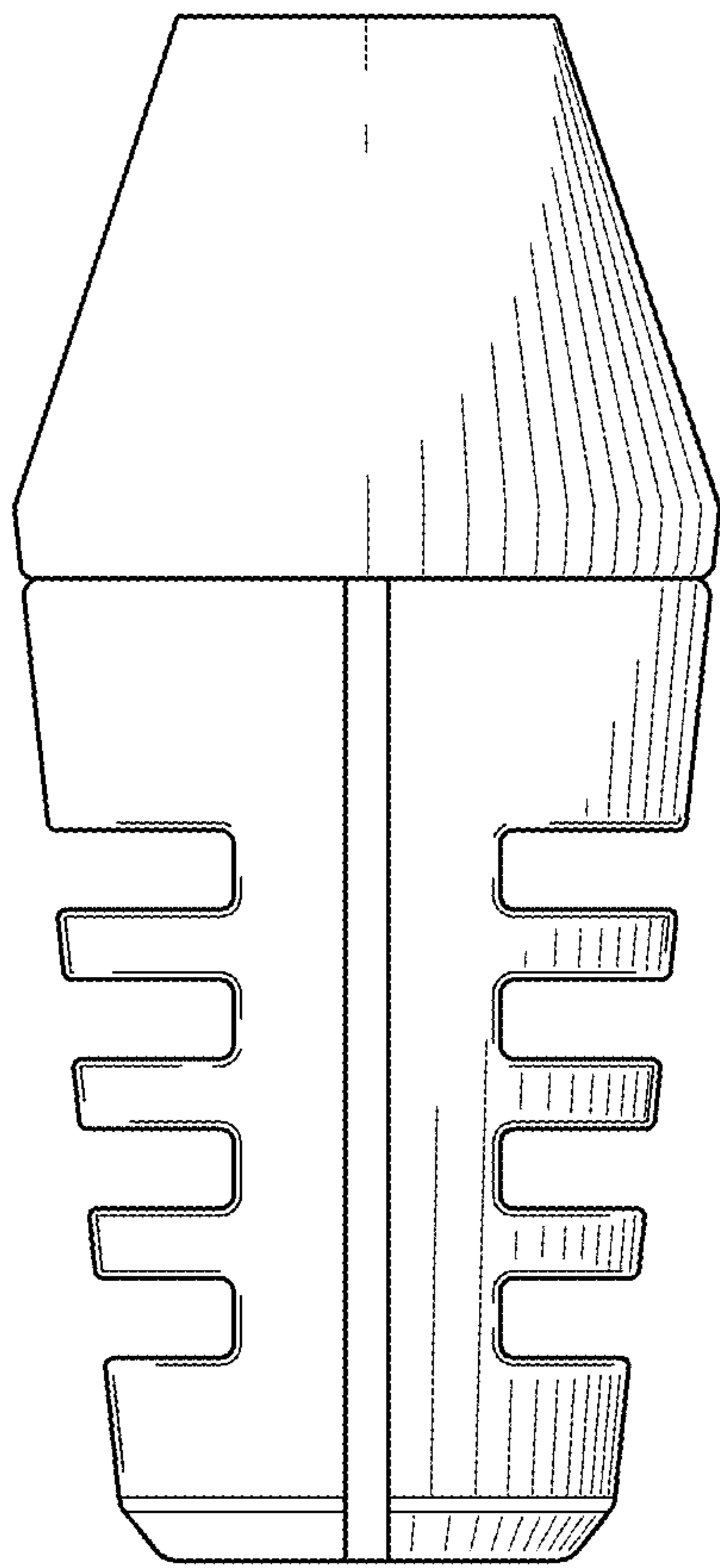


FIG. 4

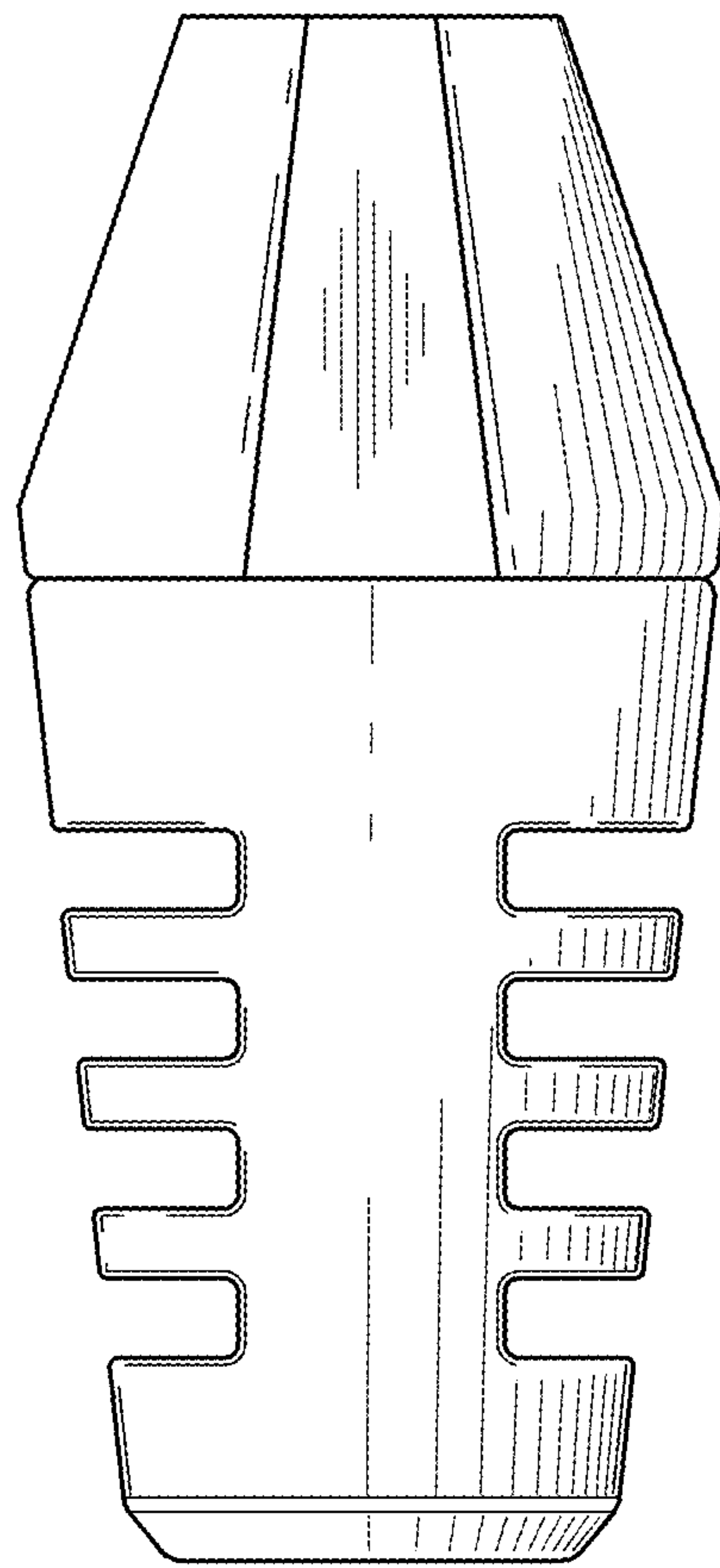


FIG. 5

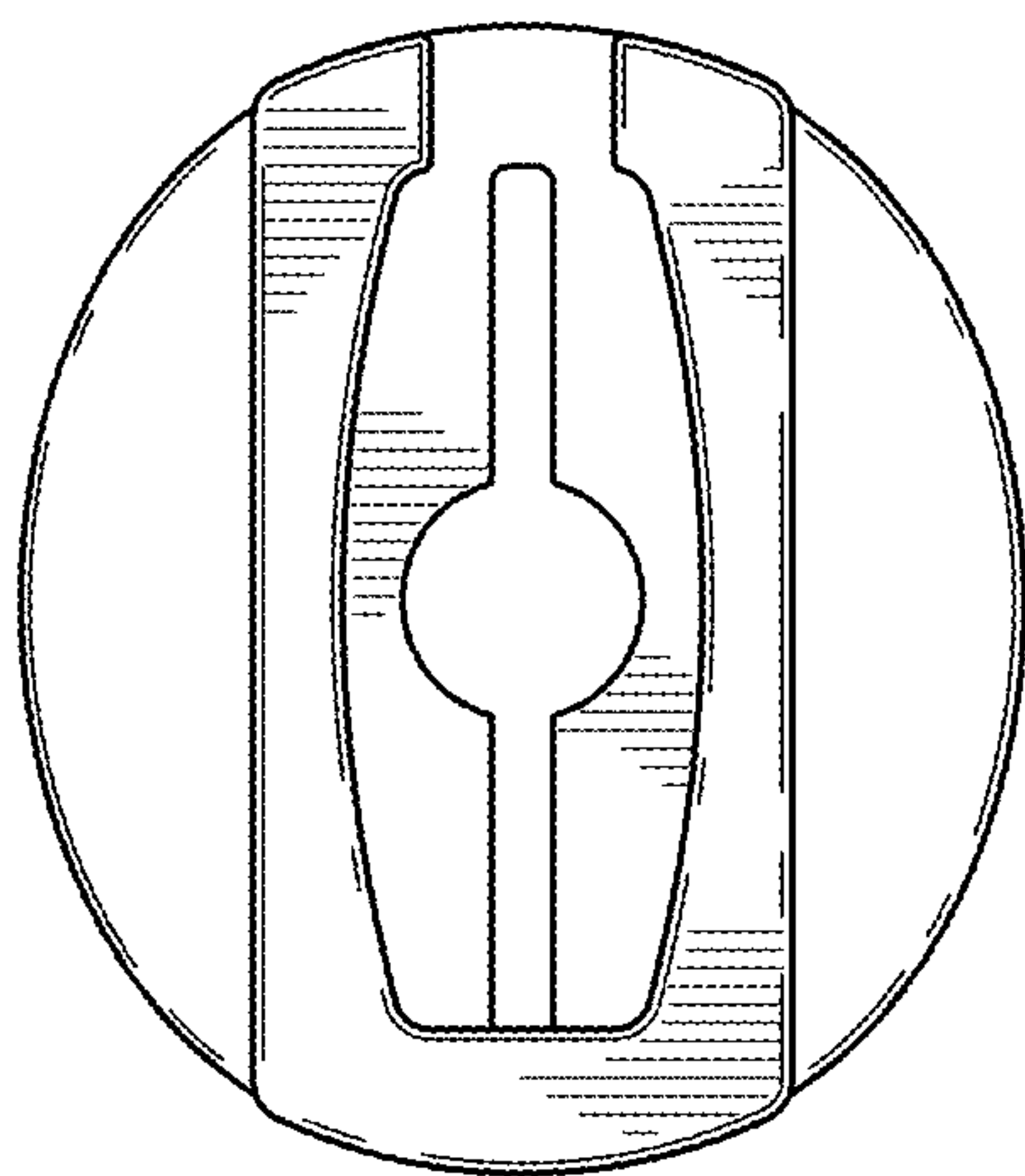


FIG. 6

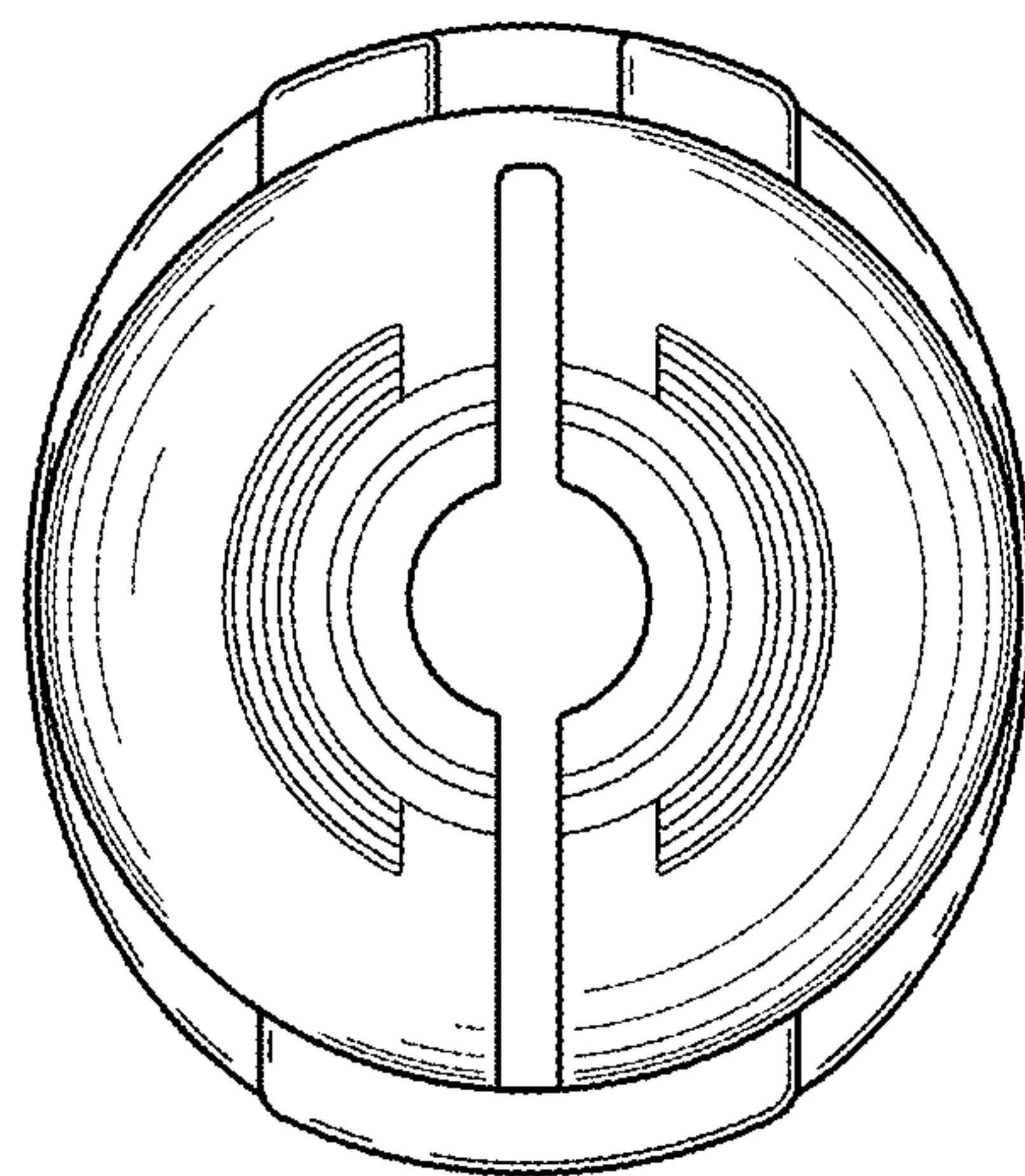


FIG. 7

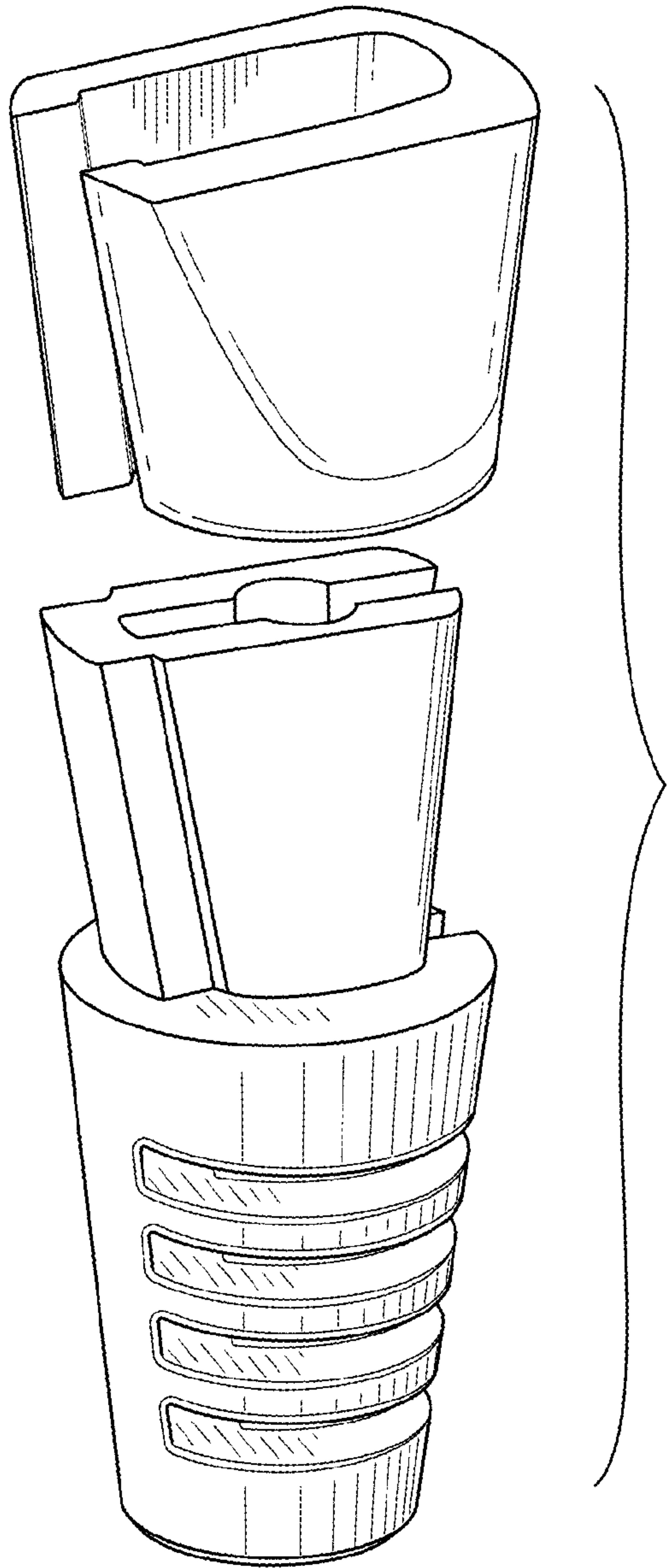


FIG. 8

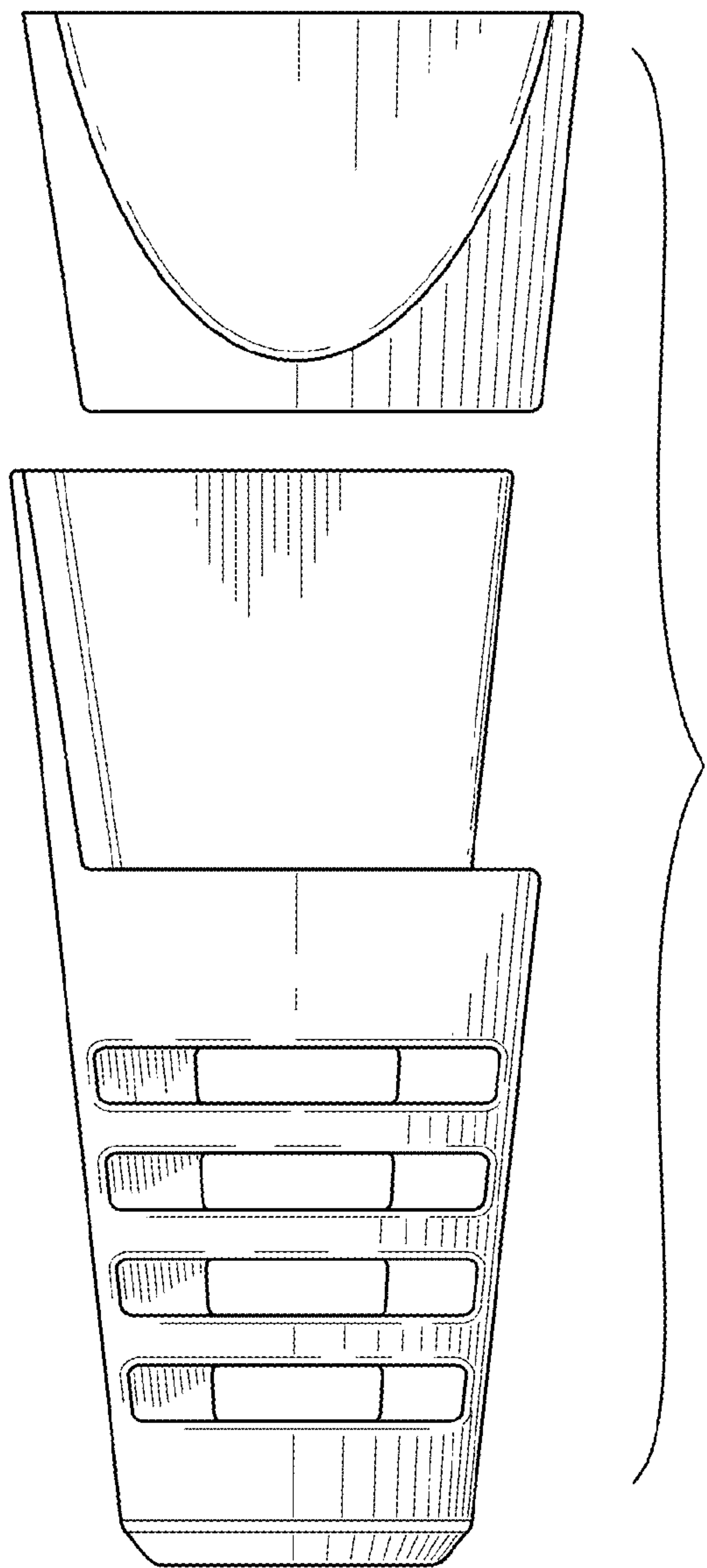


FIG. 9

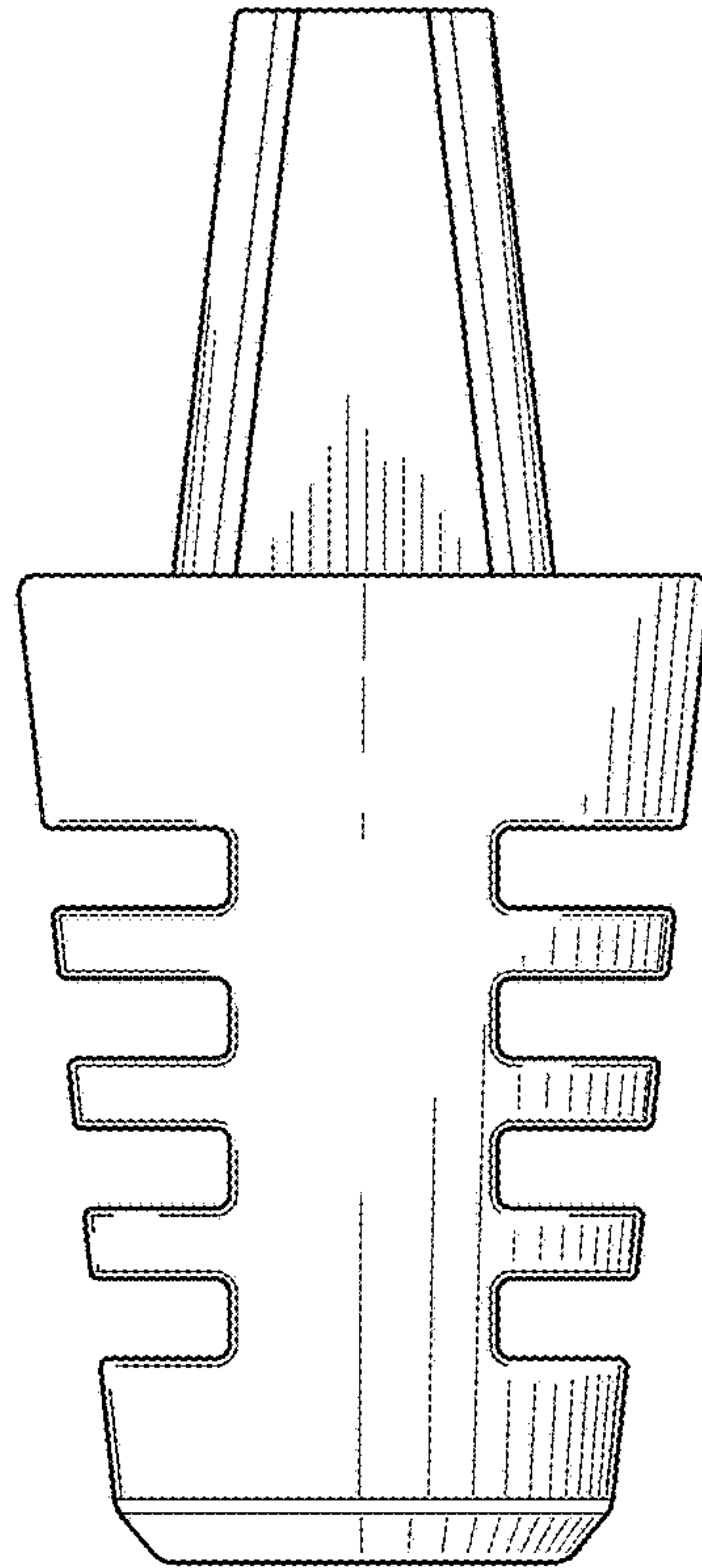
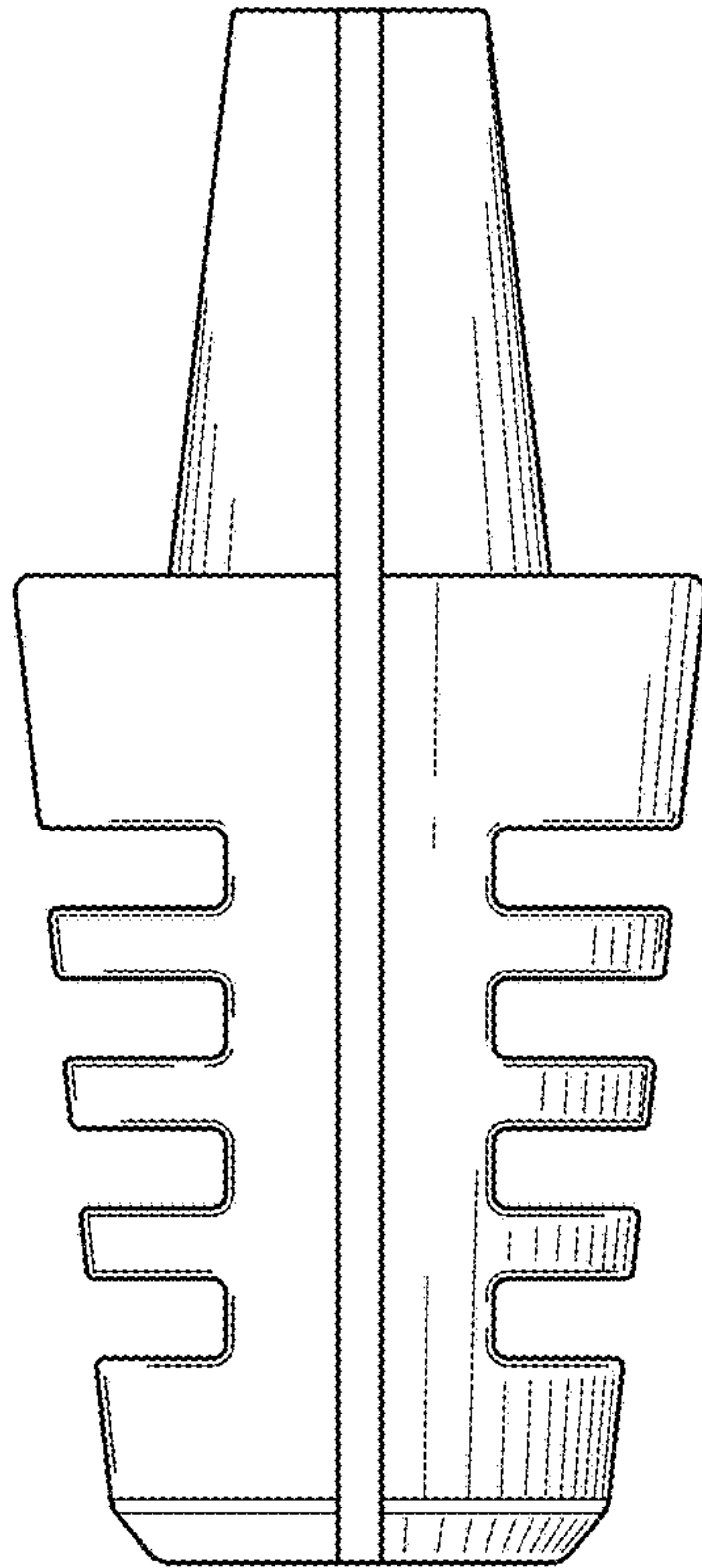
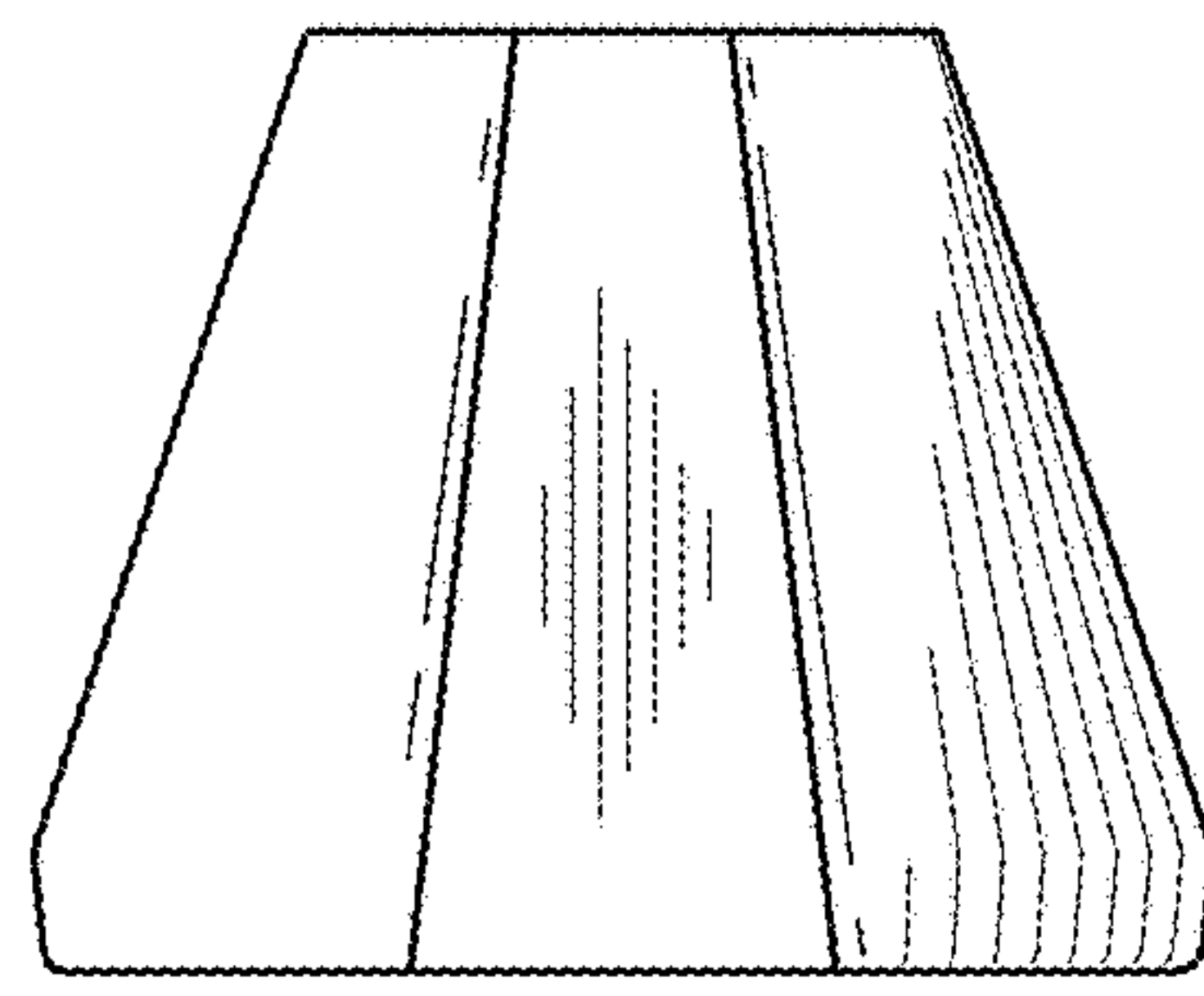
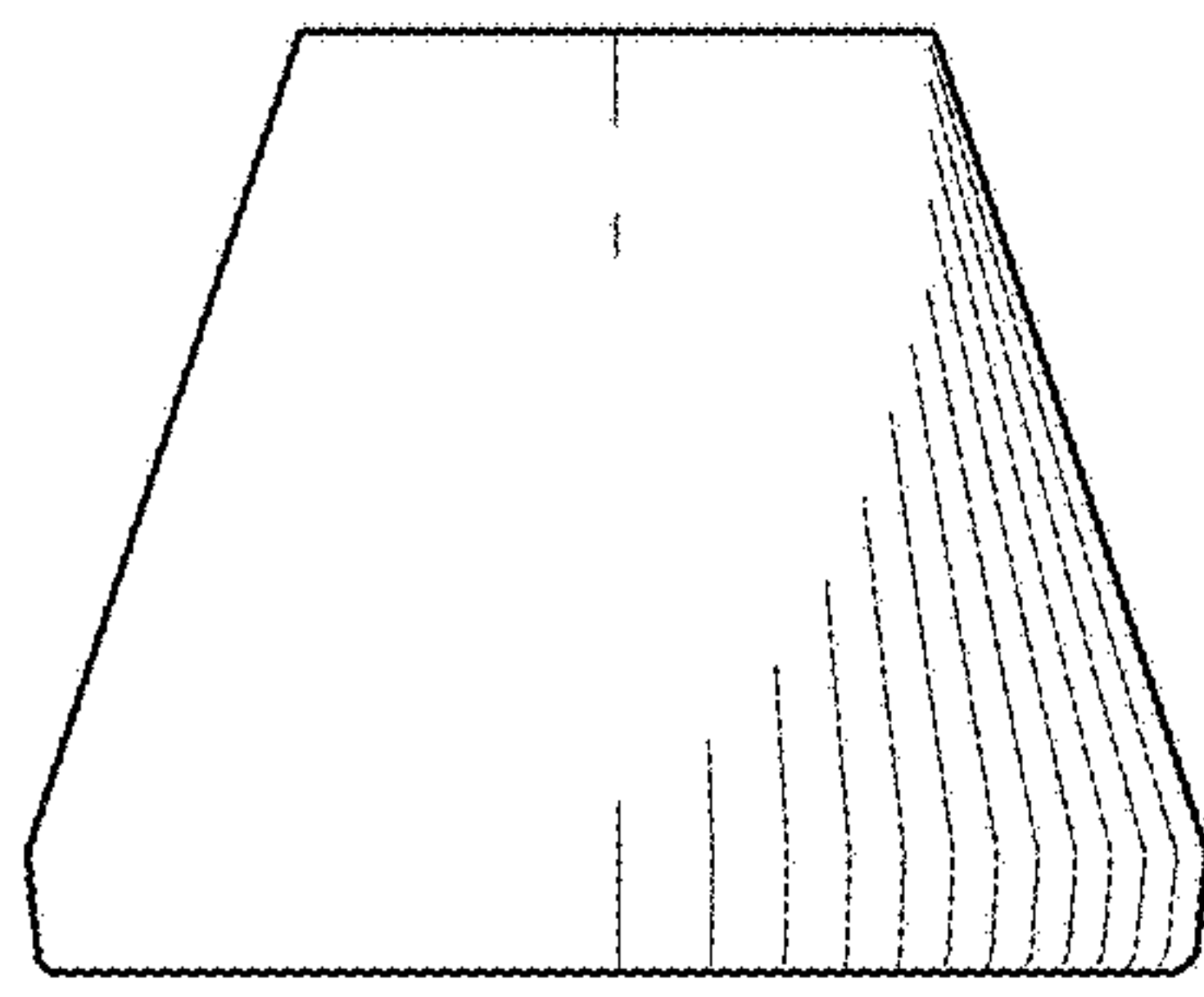


FIG. 10

FIG. 11

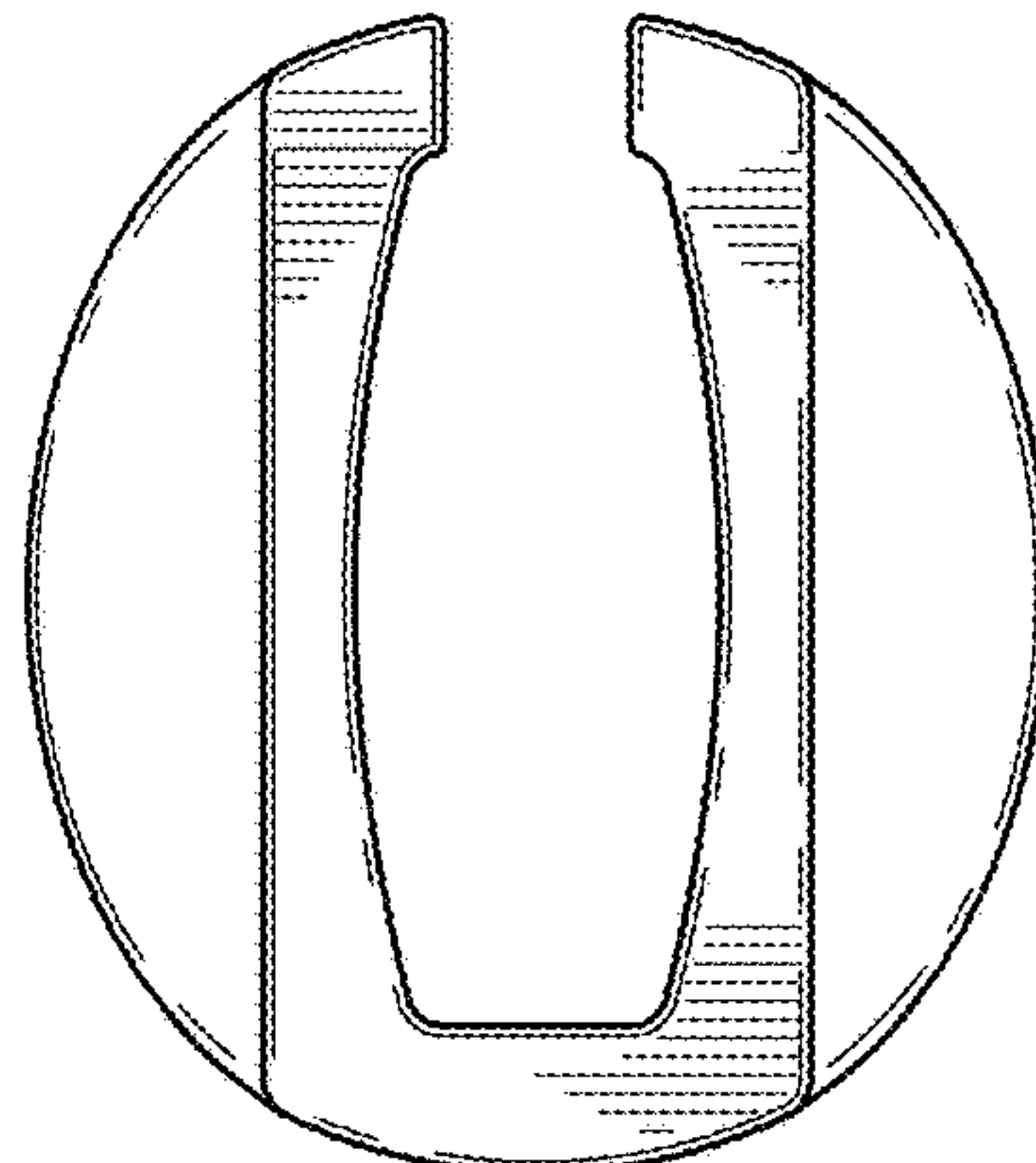
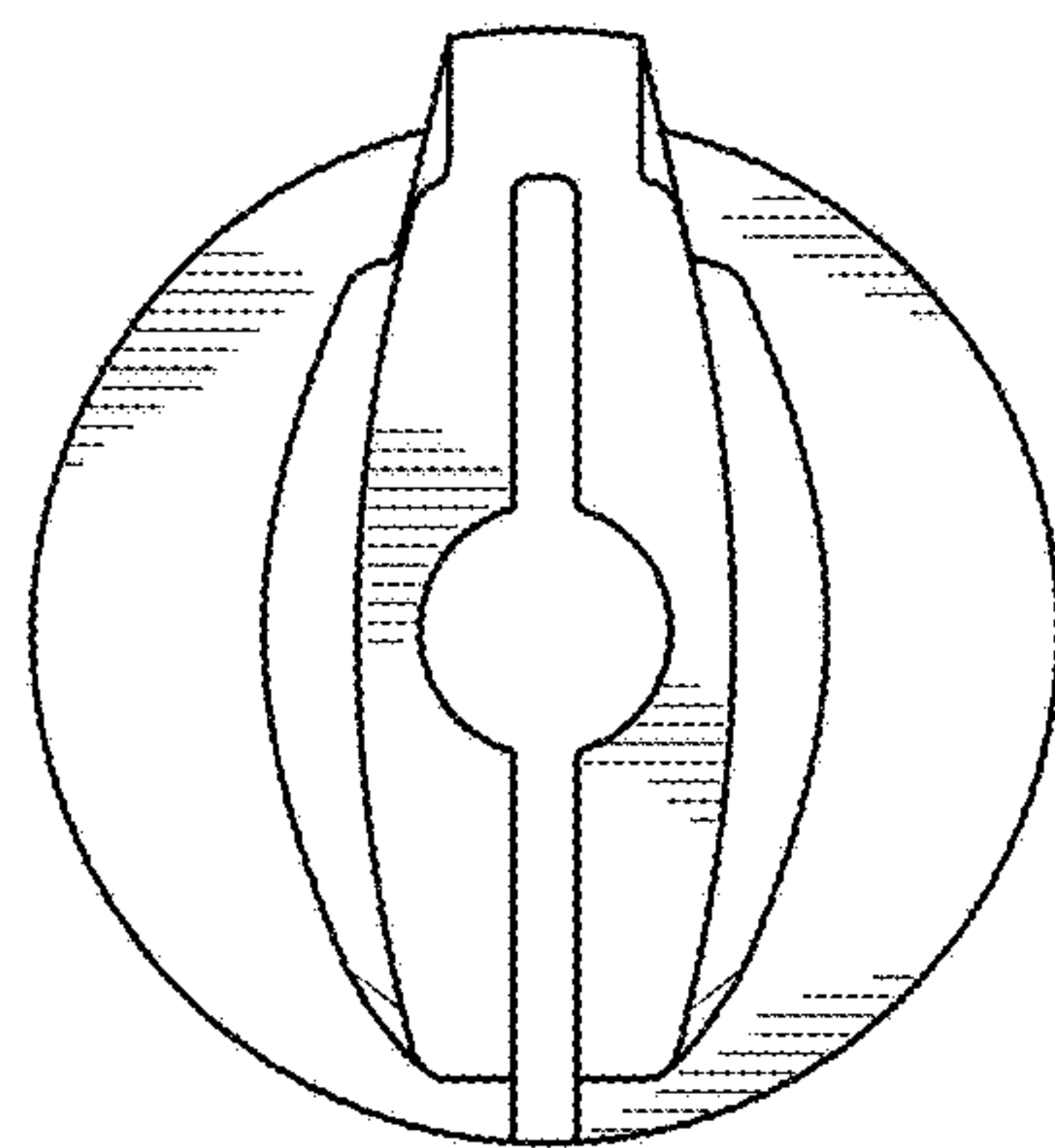


FIG. 12