



US00D801280S

(12) **United States Design Patent**
Hayashi et al.

(10) **Patent No.:** **US D801,280 S**

(45) **Date of Patent:** **** Oct. 31, 2017**

(54) **MULTI-FIBER OPTICAL CONNECTOR FERRULE**

(71) Applicant: **ADAMANT CO., LTD.**, Tokyo (JP)

(72) Inventors: **Takehiro Hayashi**, Kawasaki (JP);
Masahiro Abumi, Kawaguchi (JP);
Nobuhiko Oda, Machida (JP)

(73) Assignee: **ADAMANT CO., LTD.**, Tokyo (JP)

(**) Term: **15 Years**

(21) Appl. No.: **29/577,811**

(22) Filed: **Sep. 15, 2016**

(30) **Foreign Application Priority Data**

Mar. 15, 2016 (JP) 2016-005594

(51) **LOC (10) Cl.** **13-03**

(52) **U.S. Cl.**
USPC **D13/147**

(58) **Field of Classification Search**
USPC D13/133, 146, 147, 154, 184, 199
CPC G02B 6/32; G02B 6/3652; G02B 6/3829;
G02B 6/3849; G02B 6/3853; G02B
6/3861; G02B 6/3883; G02B 6/3885;
G02B 6/3887; G02B 6/3879; G02B 7/02
See application file for complete search history.

(56) **References Cited**

U.S. PATENT DOCUMENTS

D590,773 S * 4/2009 Suematsu D13/147
D740,756 S * 10/2015 Katagiyama D13/147

D744,955 S * 12/2015 Katagiyama D13/147
D746,779 S * 1/2016 Kato D13/147
D750,566 S * 3/2016 Katagiyama D13/147
D750,567 S * 3/2016 Katagiyama D13/147
D770,388 S * 11/2016 Tal D13/147

* cited by examiner

Primary Examiner — Daniel Bui

(74) *Attorney, Agent, or Firm* — Oliff PLC

(57) **CLAIM**

The ornamental design for a multi-fiber optical connector ferrule, as shown and described.

DESCRIPTION

FIG. 1 is a front view of a multi-fiber optical connector ferrule showing our new design;
FIG. 2 is a rear view thereof;
FIG. 3 is a right side view thereof, the left side view being a mirror image thereto;
FIG. 4 is a top plan view thereof, the bottom side view being a mirror image thereto;
FIG. 5 is a sectional view taken along lines 5-5 in FIG. 1;
FIG. 6 is a perspective view thereof; and,
FIG. 7 is a reference perspective view showing the multi-fiber optical connector ferrule shown in FIG. 1 in a state of Use.
The broken lines depict environmental subject matter only and form no part of the claimed design.

1 Claim, 7 Drawing Sheets

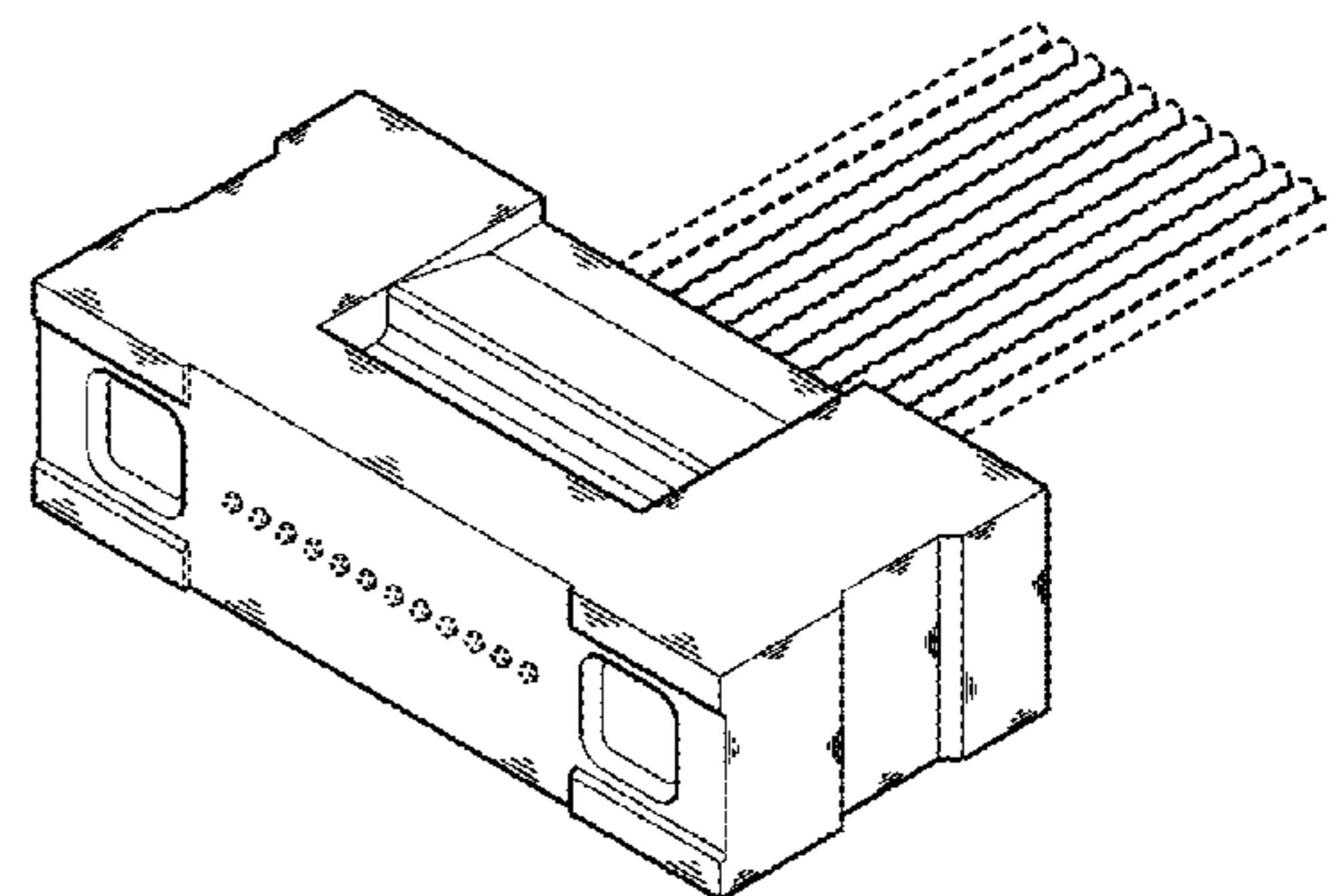
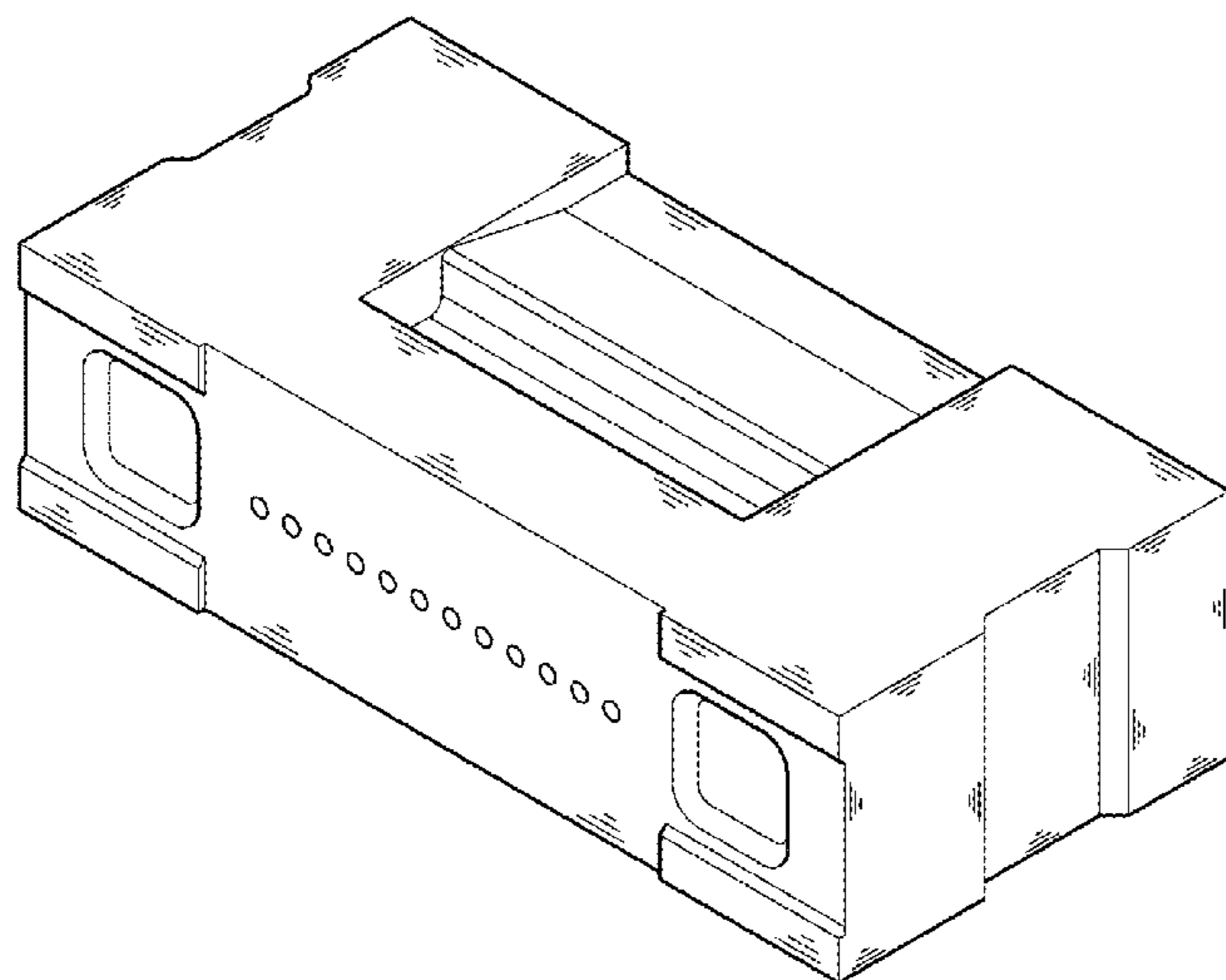


Fig. 1

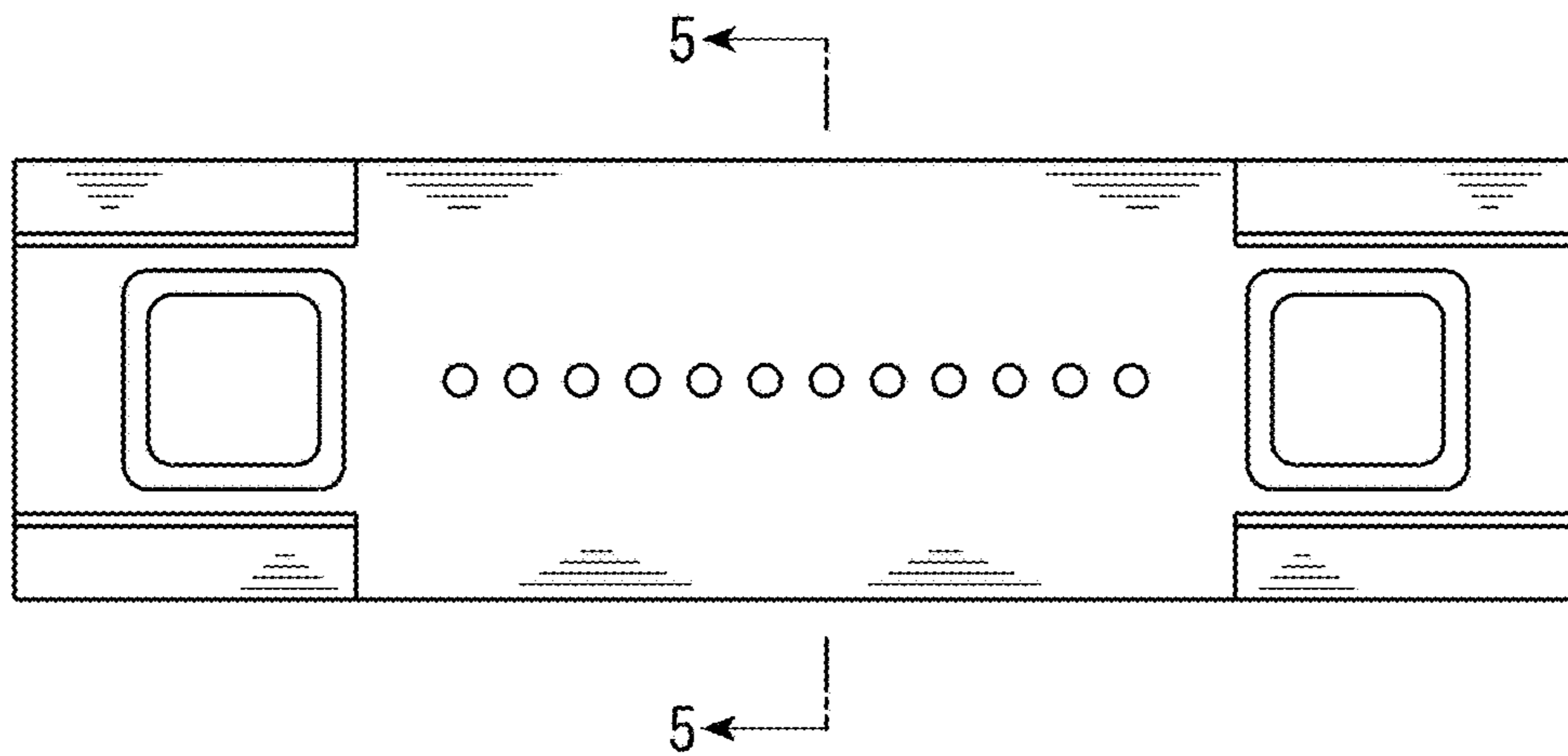


Fig.2

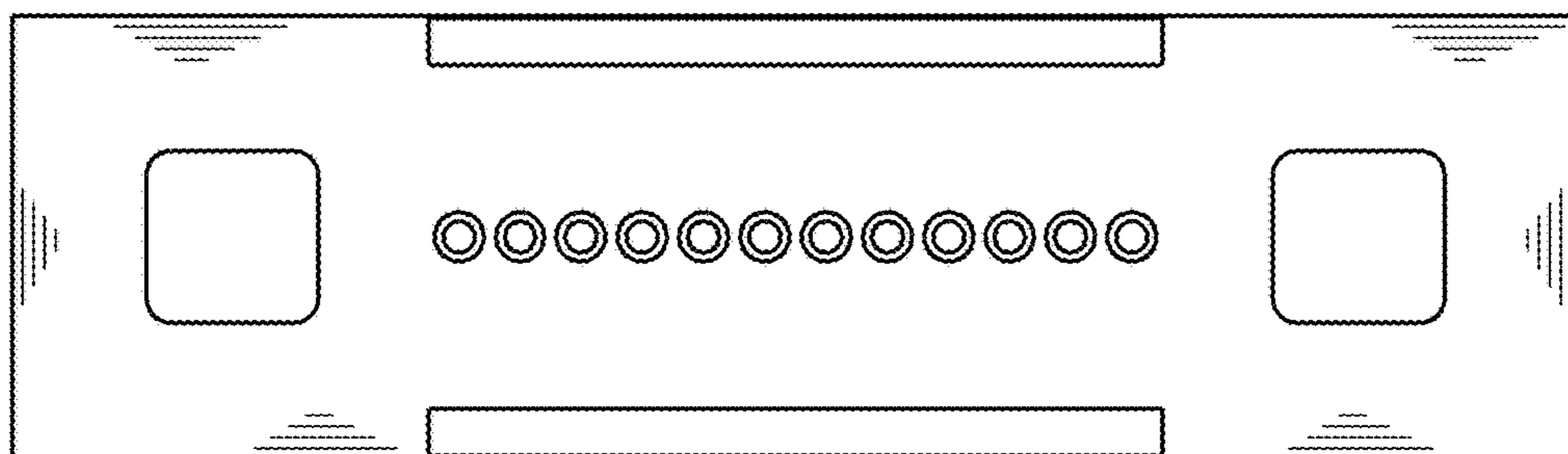


Fig.3

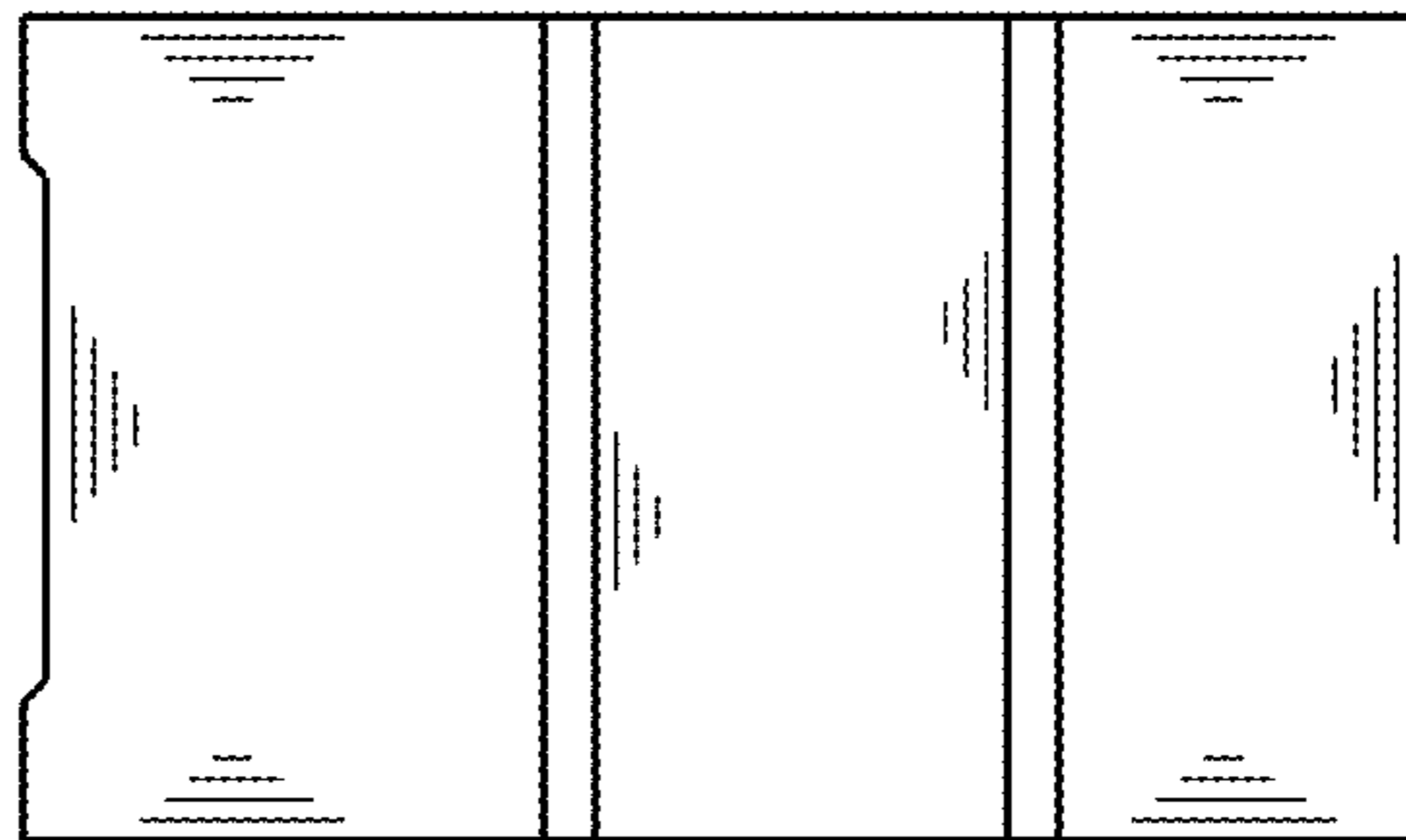


Fig.4

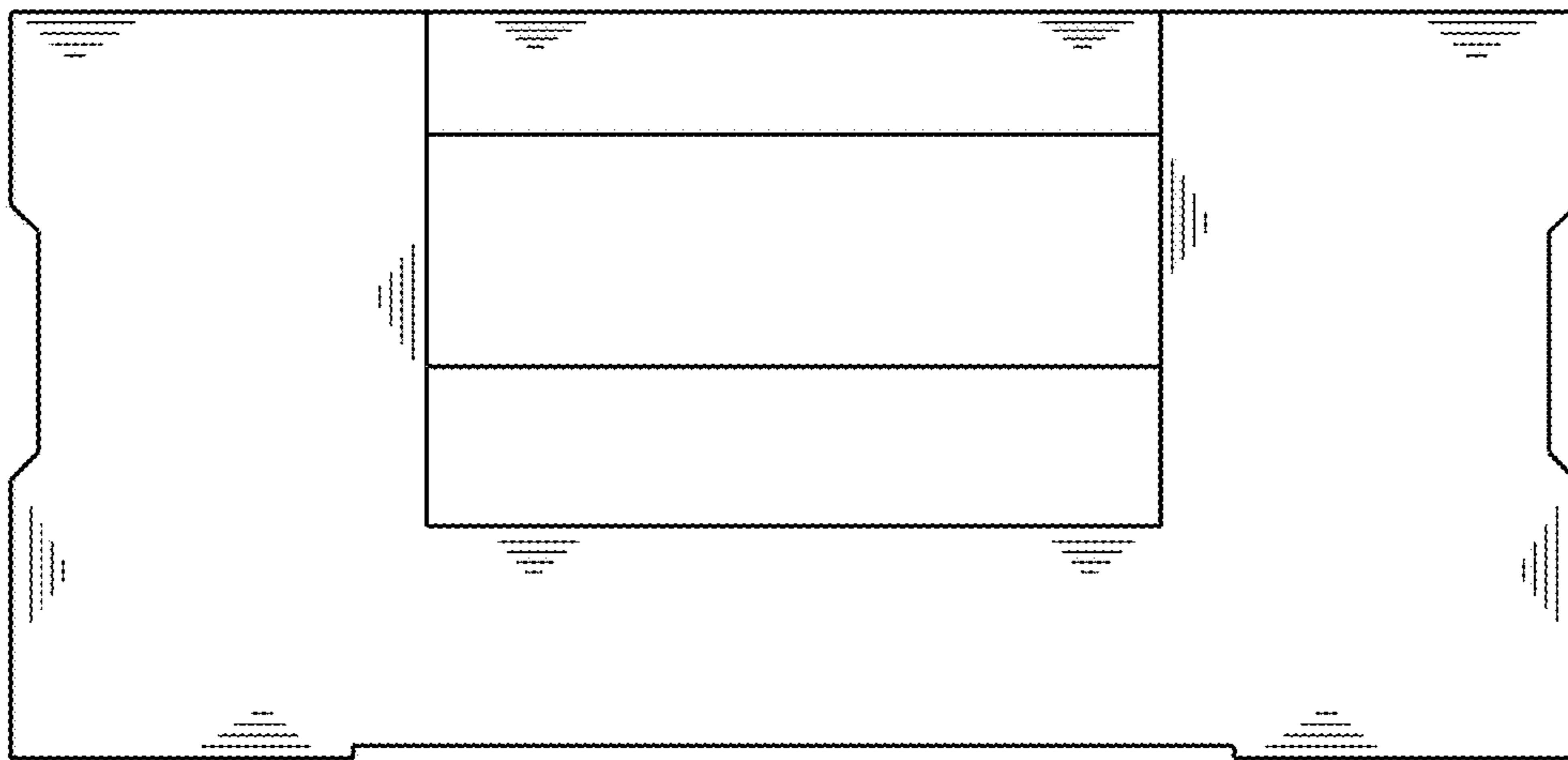


Fig.5

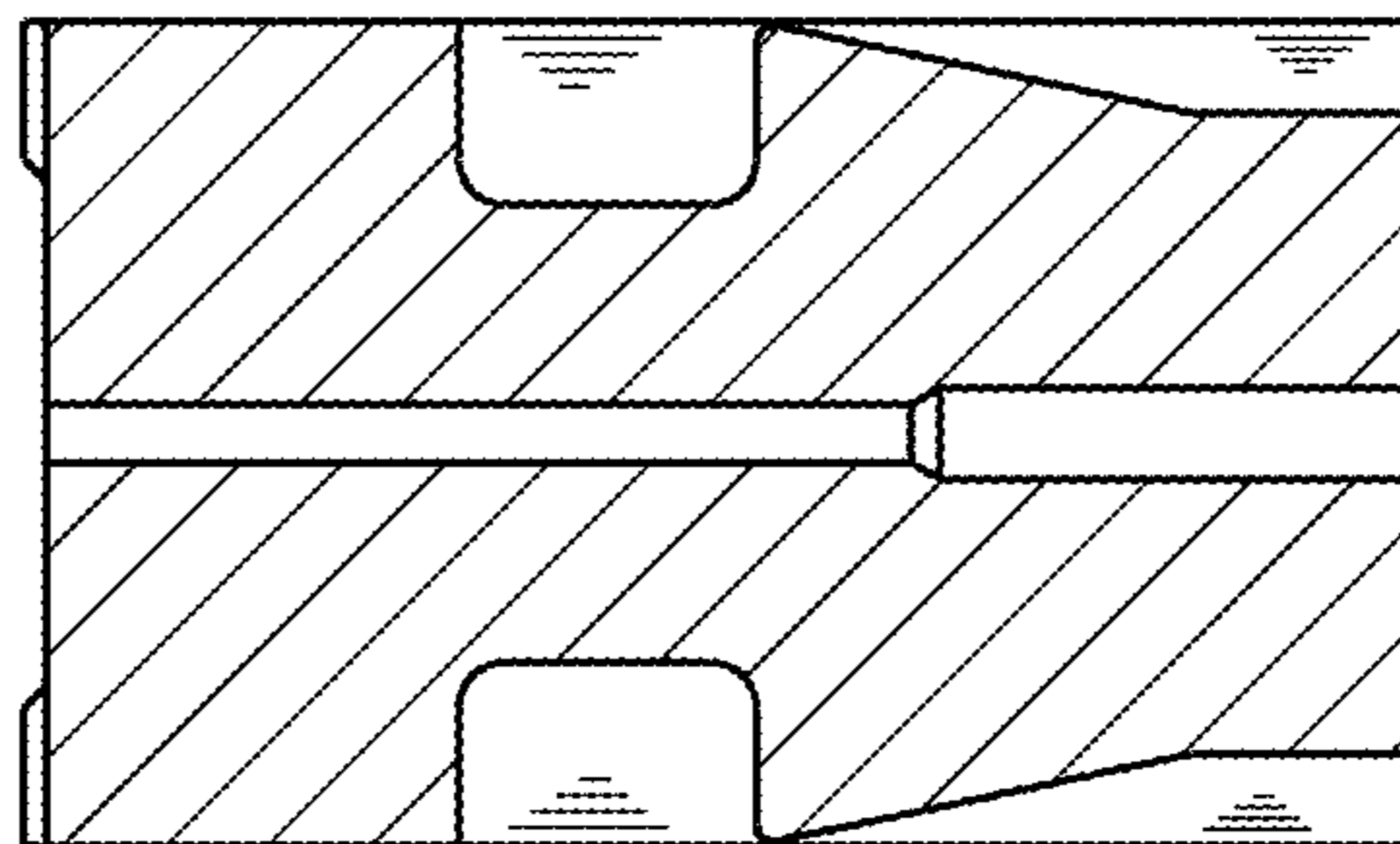


Fig.6

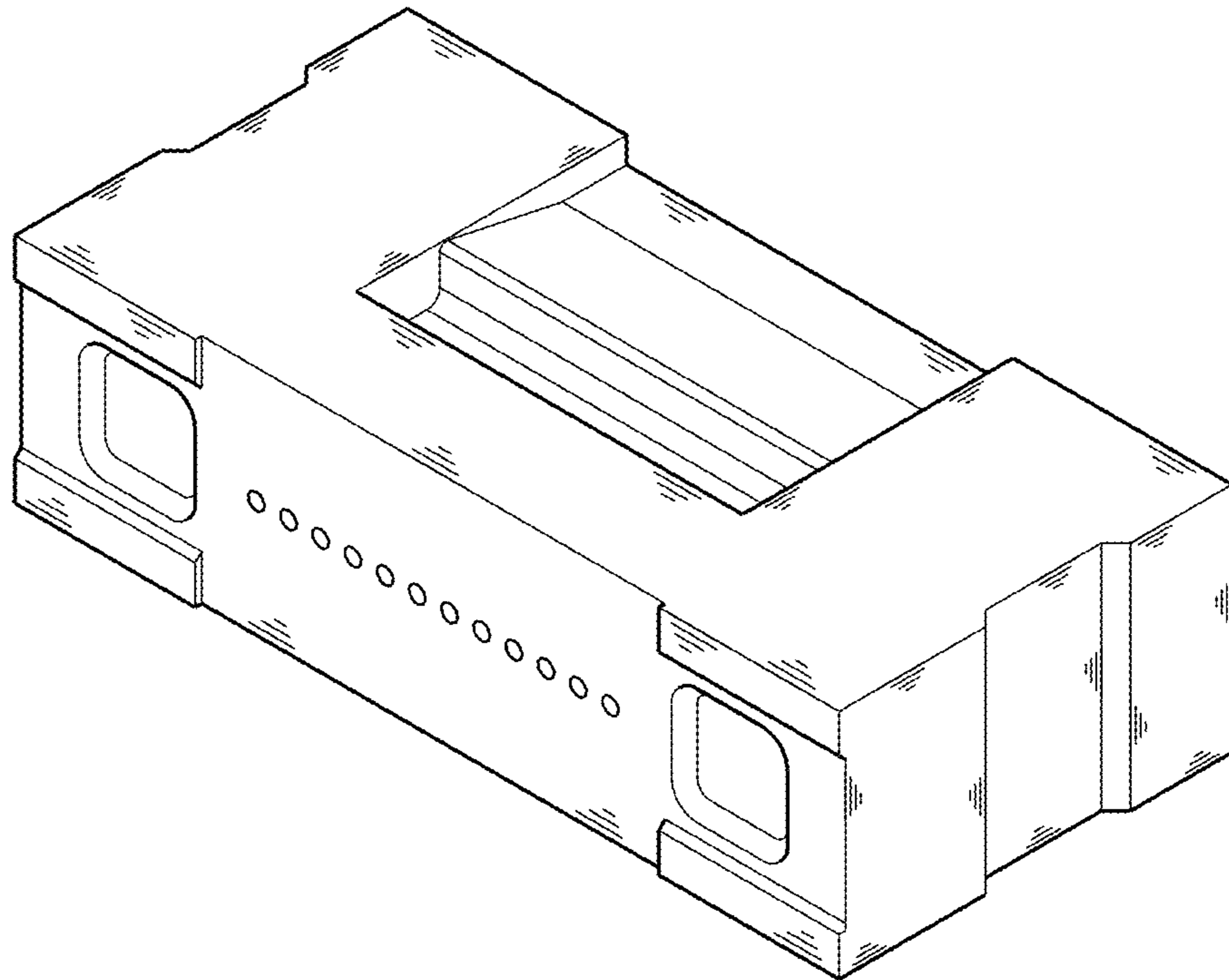


Fig.7

