



US00D801279S

(12) **United States Design Patent**  
**Hayashi et al.**

(10) **Patent No.:** **US D801,279 S**

(45) **Date of Patent:** **\*\* Oct. 31, 2017**

(54) **MULTI-FIBER OPTICAL CONNECTOR WITH HOUSING FOR OPTICAL CONNECTOR**

D744,955 S \* 12/2015 Katagiyama ..... D13/147  
D746,779 S \* 1/2016 Kato ..... D13/147  
D750,566 S \* 3/2016 Katagiyama ..... D13/147  
D750,567 S \* 3/2016 Katagiyama ..... D13/147  
D770,388 S \* 11/2016 Tal ..... D13/147

(71) Applicant: **ADAMANT CO., LTD.**, Tokyo (JP)

\* cited by examiner

(72) Inventors: **Takehiro Hayashi**, Kawasaki (JP);  
**Masahiro Abumi**, Kawaguchi (JP);  
**Nobuhiko Oda**, Machida (JP)

*Primary Examiner* — Daniel Bui

(74) *Attorney, Agent, or Firm* — Oliff PLC

(73) Assignee: **ADAMANT CO., LTD.**, Tokyo (JP)

(\*\*) Term: **15 Years**

(57) **CLAIM**

(21) Appl. No.: **29/577,790**

The ornamental design for a multi-fiber optical connector with housing for optical connector, as shown and described.

(22) Filed: **Sep. 15, 2016**

(30) **Foreign Application Priority Data**

**DESCRIPTION**

Mar. 15, 2016 (JP) ..... 2016-005595

(51) **LOC (10) Cl.** ..... **13-03**

(52) **U.S. Cl.**  
USPC ..... **D13/147**

(58) **Field of Classification Search**  
USPC ..... D13/133, 146, 147, 154, 184, 199  
CPC ..... G02B 6/32; G02B 6/3652; G02B 6/3829;  
G02B 6/3849; G02B 6/3853; G02B  
6/3861; G02B 6/3883; G02B 6/3885;  
G02B 6/3887; G02B 6/3879; G02B 7/02  
See application file for complete search history.

FIG. 1 is a front view of a multi-fiber optical connector with housing for optical connector showing our new design;  
FIG. 2 is a rear view thereof;  
FIG. 3 is a right side view thereof, the left side view being a mirror image thereto;  
FIG. 4 is a top plan view thereof;  
FIG. 5 is a bottom view thereof;  
FIG. 6 is a sectional view taken along lines 5-5 in FIG. 1;  
FIG. 7 is a perspective view thereof; and,  
FIG. 8 is a reference perspective view showing the multi-fiber optical connector with housing for optical connector shown in FIG. 1 in a state of use.  
The broken lines depict environmental subject matter only and form no part of the claimed design.

(56) **References Cited**

**U.S. PATENT DOCUMENTS**

D590,773 S \* 4/2009 Suematsu ..... D13/147  
D740,756 S \* 10/2015 Katagiyama ..... D13/147

**1 Claim, 8 Drawing Sheets**

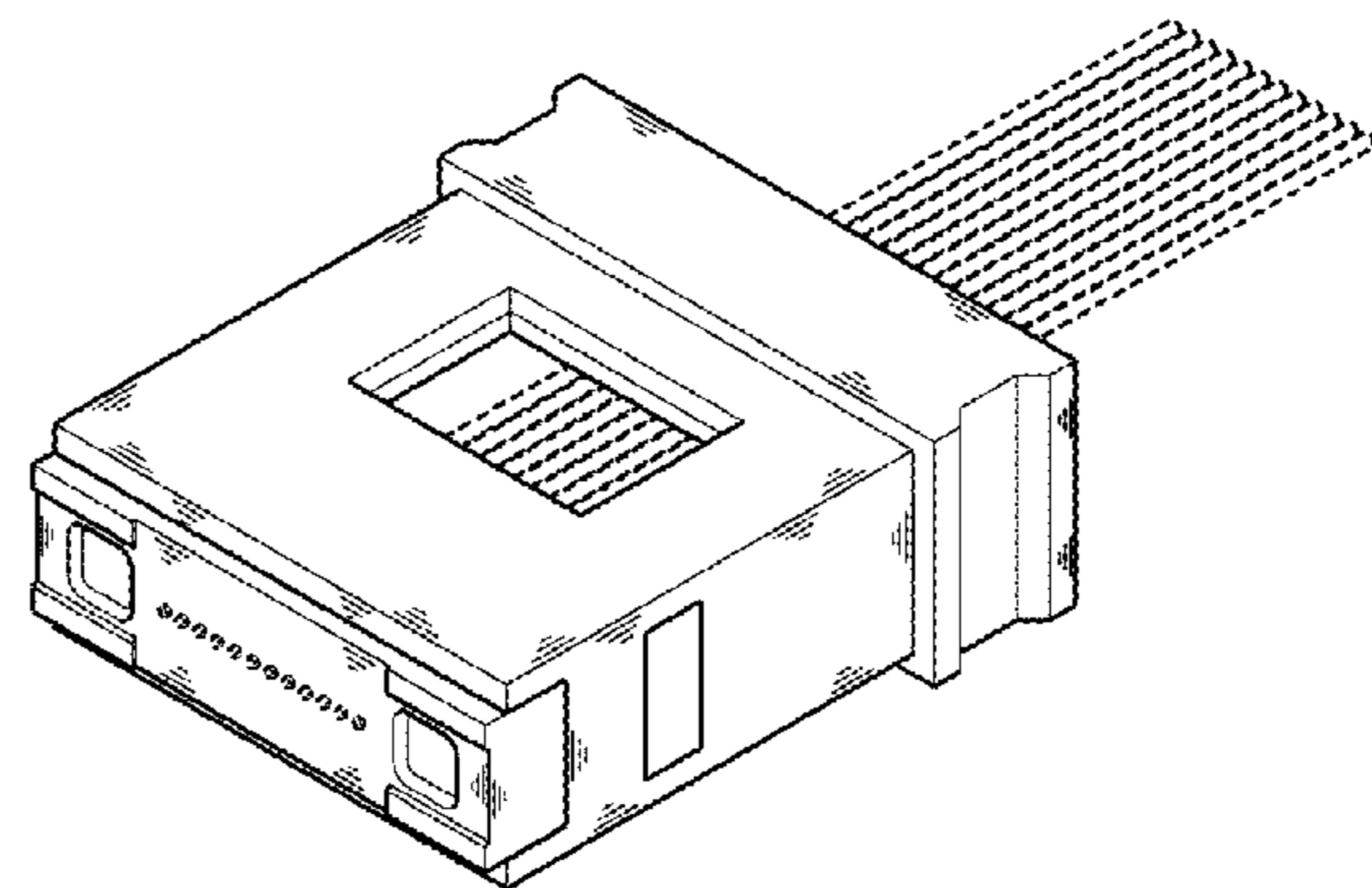
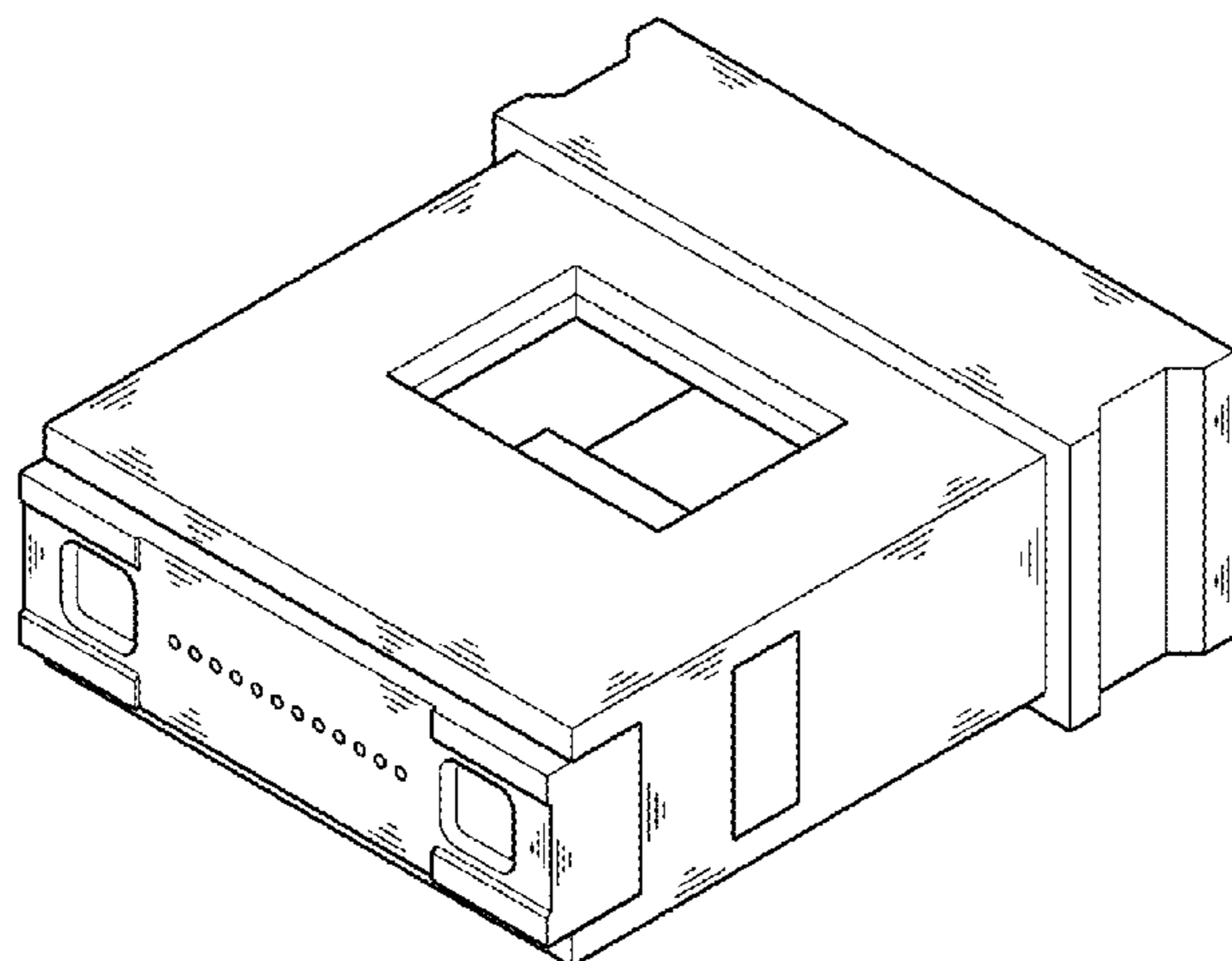


Fig. 1

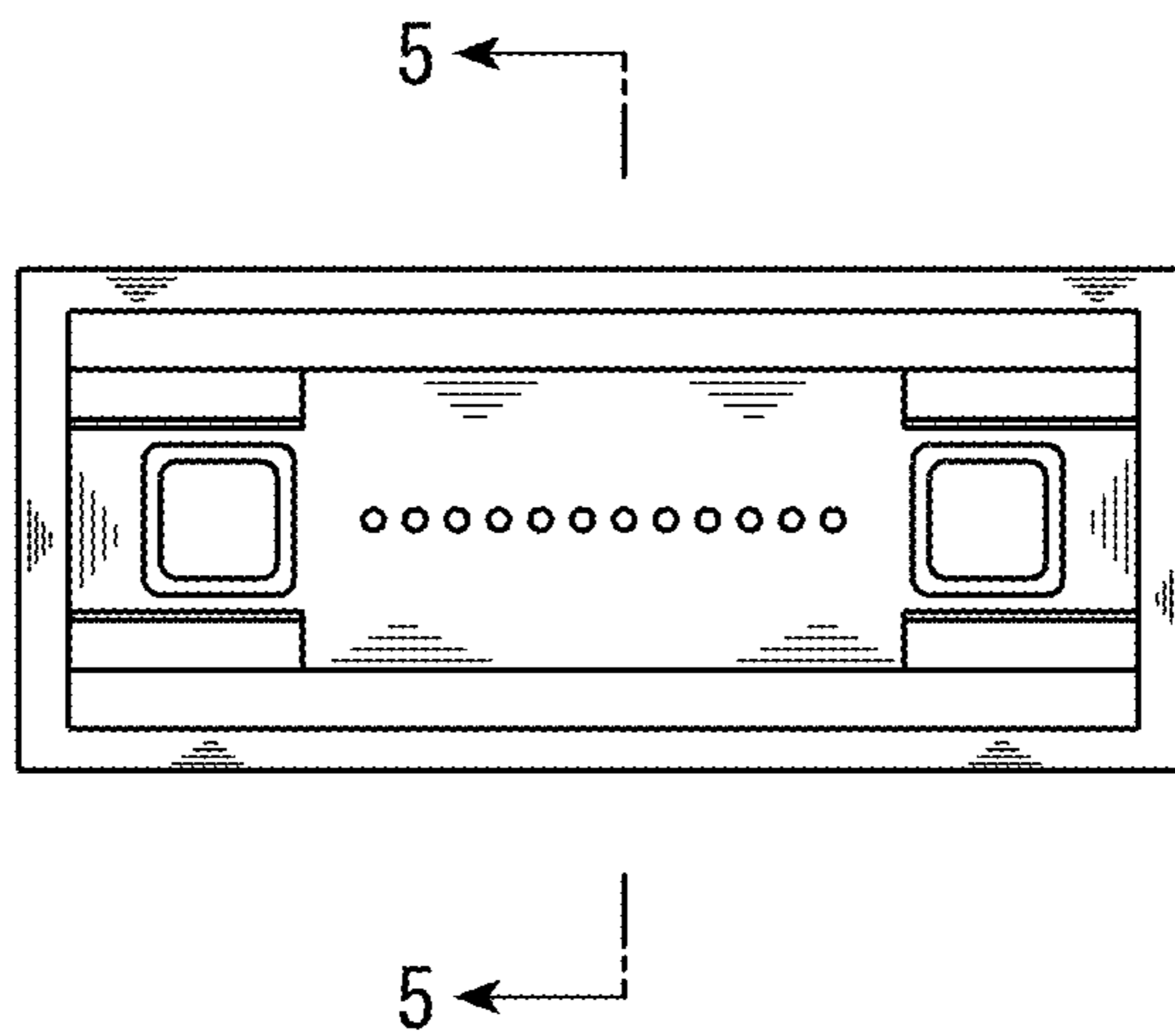


Fig.2

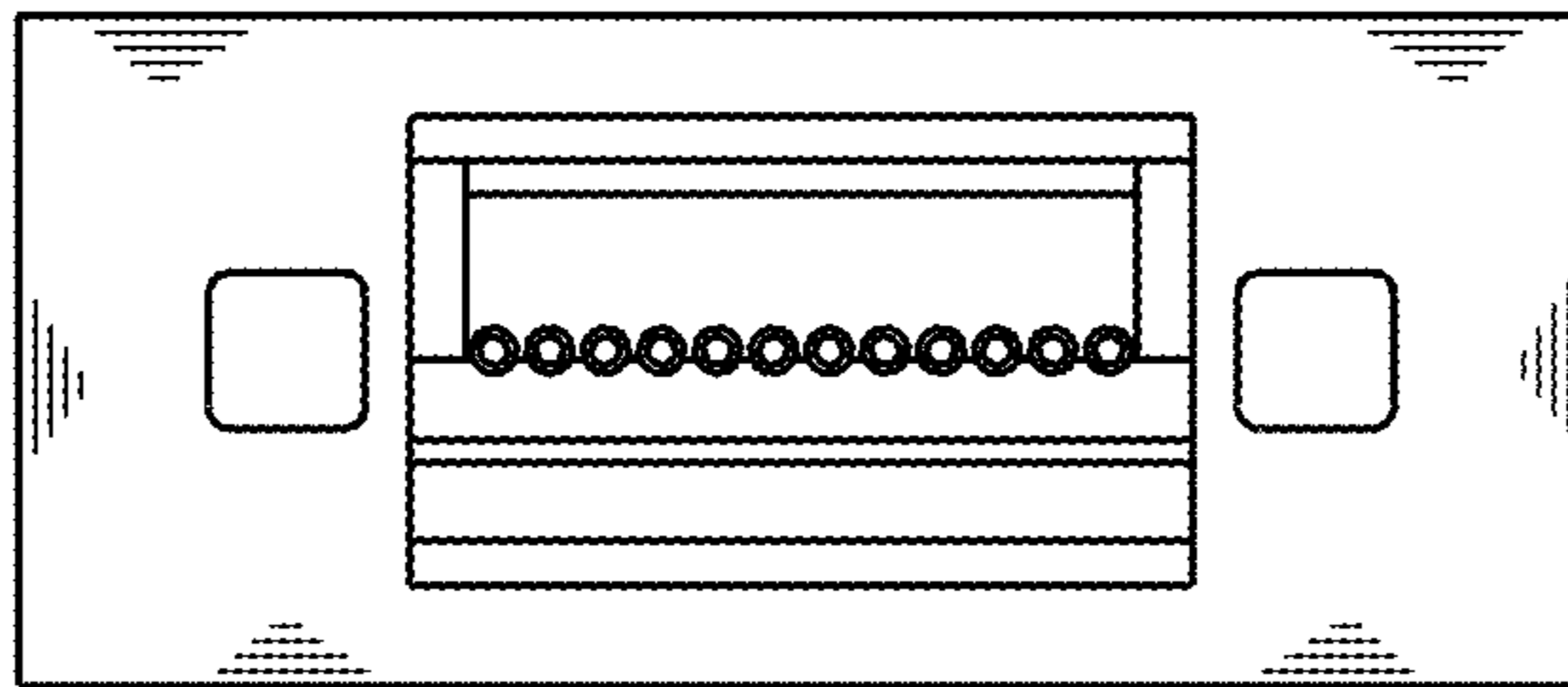


Fig.3

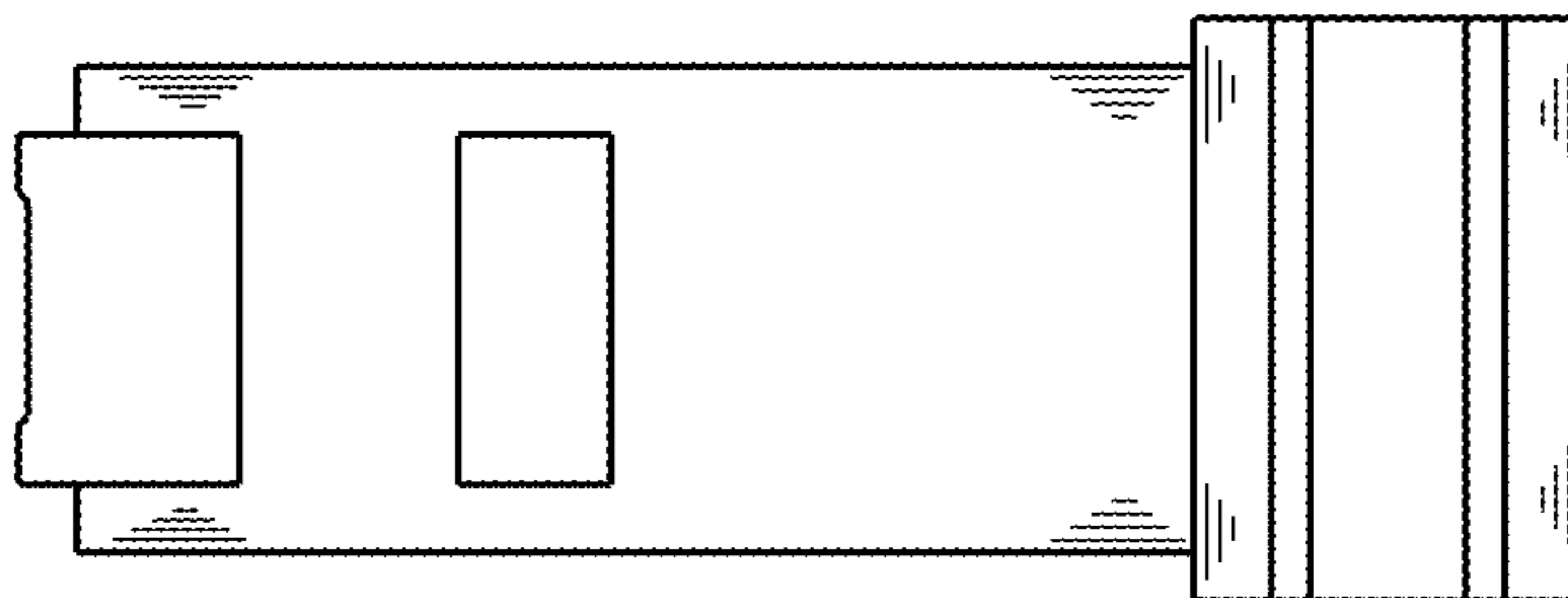


Fig.4

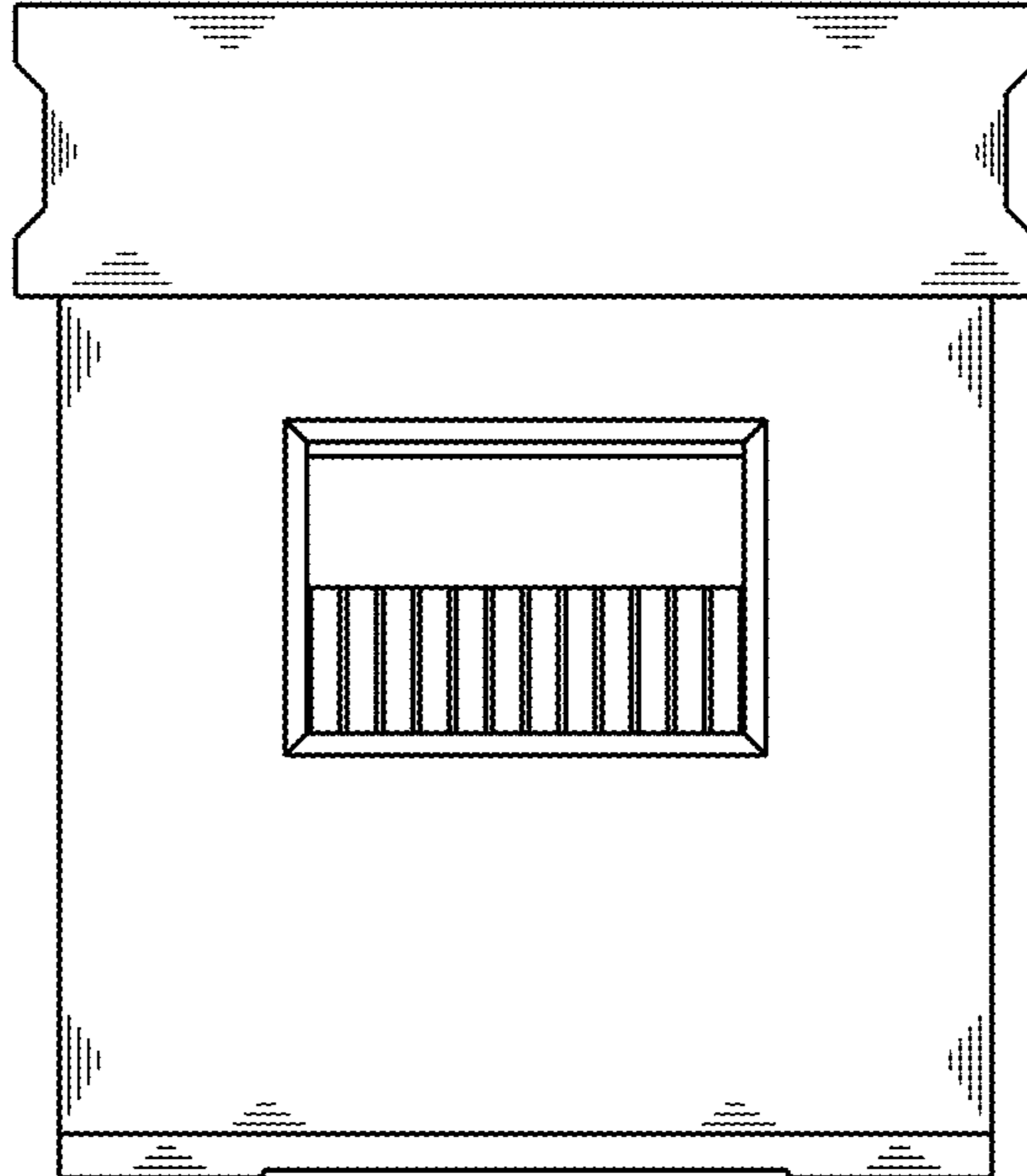


Fig.5

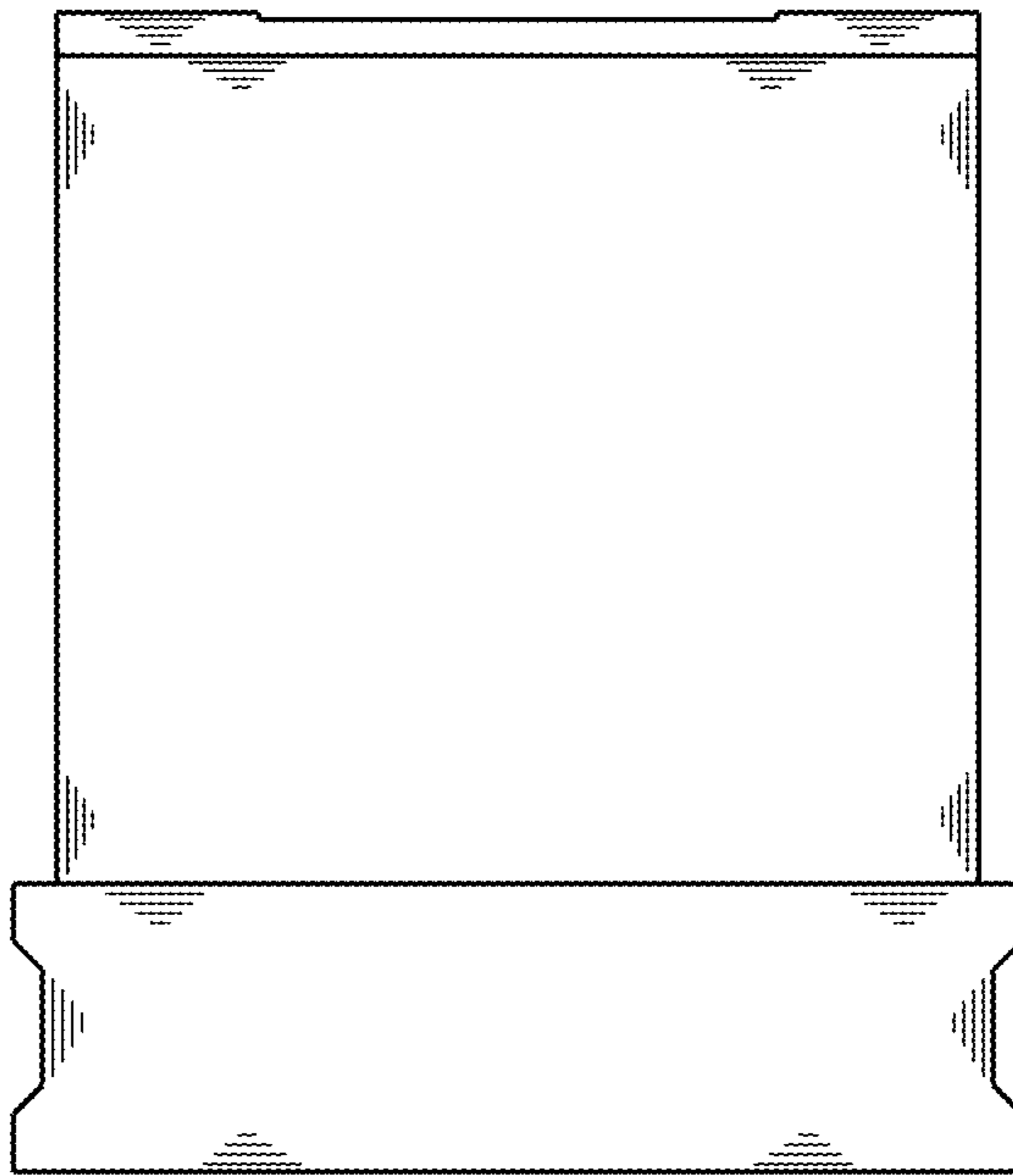


Fig.6

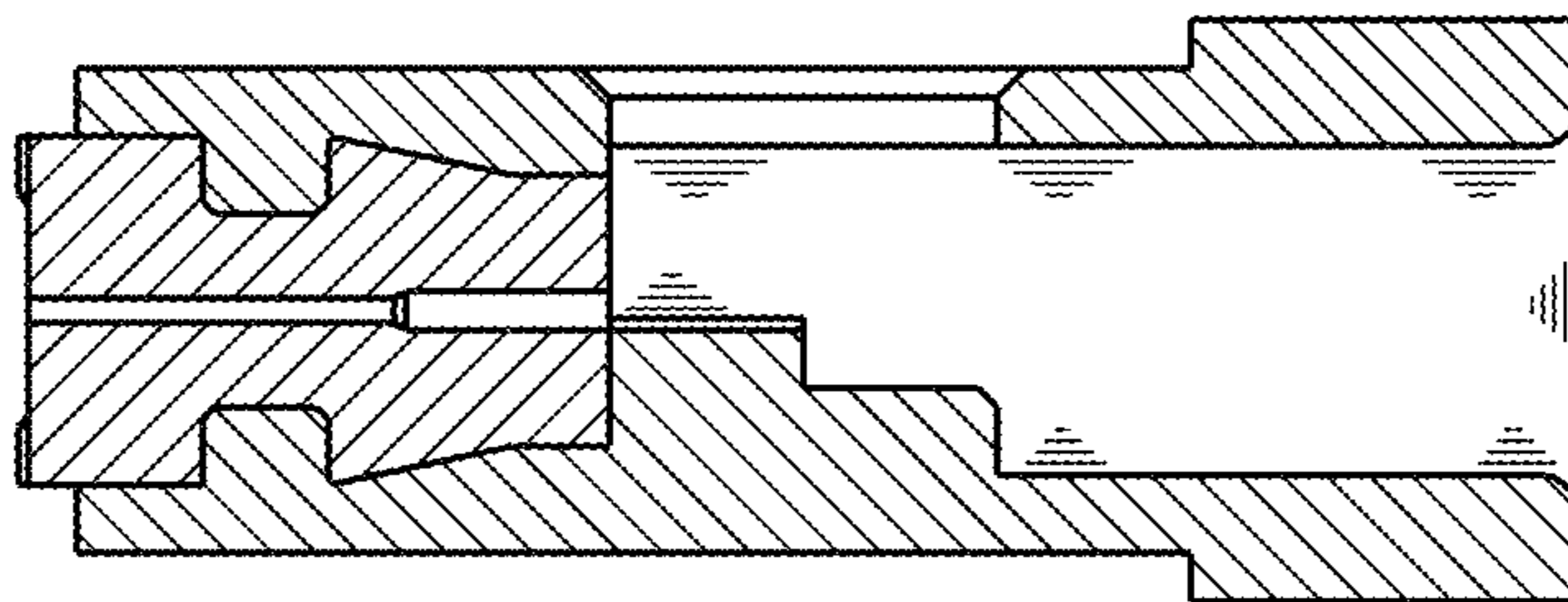


Fig.7

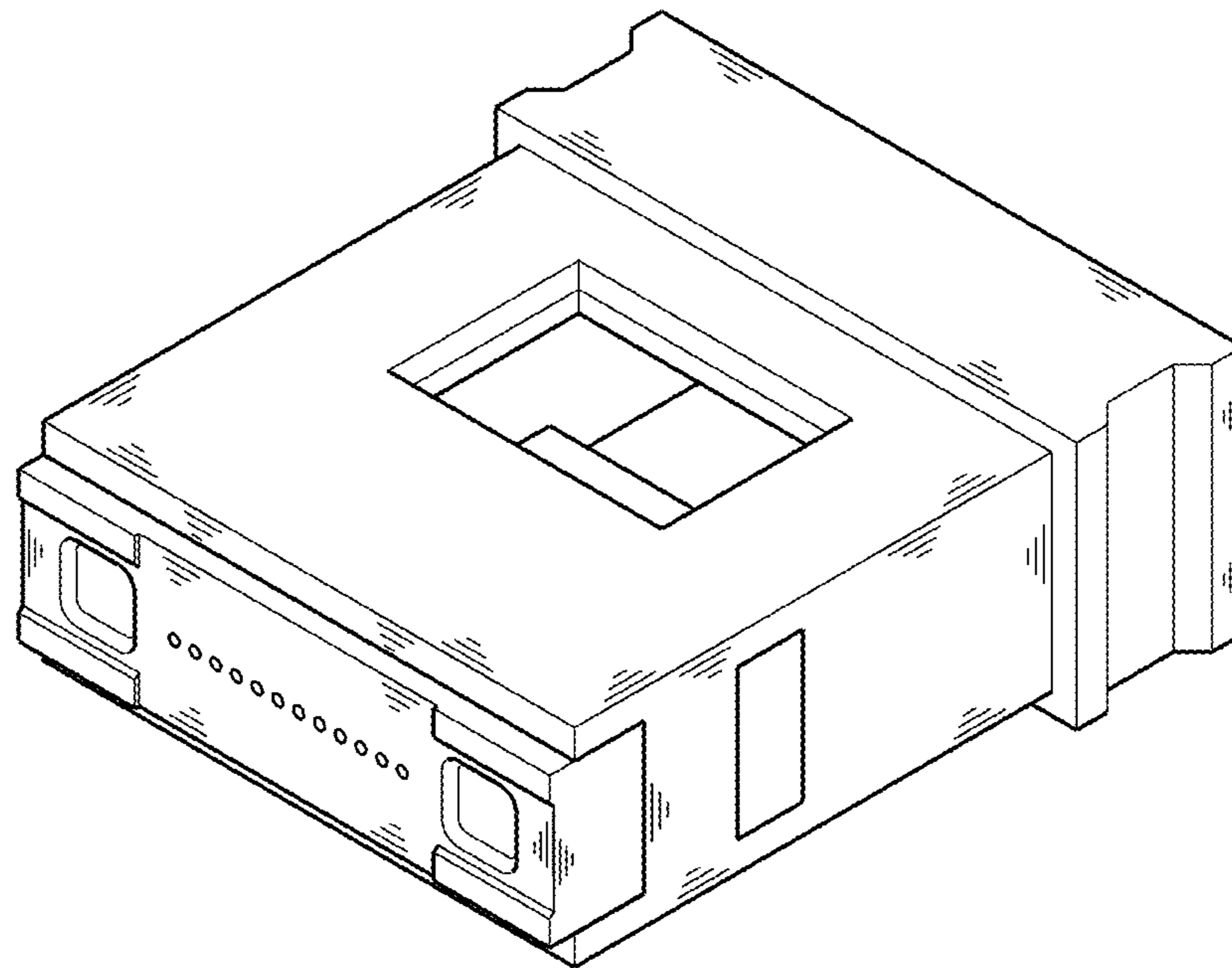




Fig.8

