



US00D801278S

(12) **United States Design Patent**
Li et al.

(10) **Patent No.:** **US D801,278 S**
(45) **Date of Patent:** **** Oct. 31, 2017**

(54) **CONNECTOR HOUSING**

(71) Applicant: **Molex, LLC**, Lisle, IL (US)

(72) Inventors: **Dixon Li**, Shanghai (CN); **Anson Yin**, Shanghai (CN)

(73) Assignee: **Molex, LLC**, Lisle, IL (US)

(**) Term: **15 Years**

(21) Appl. No.: **29/563,122**

(22) Filed: **May 2, 2016**

(51) **LOC (10) Cl.** **13-03**

(52) **U.S. Cl.**
USPC **D13/147**

(58) **Field of Classification Search**
USPC D13/133, 146, 147, 154, 155, 156, 184,
D13/199

(Continued)

(56) **References Cited**

U.S. PATENT DOCUMENTS

D410,629 S * 6/1999 Bandura D13/147
D494,141 S * 8/2004 Spink, Jr. D13/147

(Continued)

FOREIGN PATENT DOCUMENTS

WO 2015/112975 A1 7/2015

Primary Examiner — Daniel Bui

(74) *Attorney, Agent, or Firm* — Banner & Witcoff, Ltd.

(57) **CLAIM**

The ornamental design for a connector housing, as shown and described.

DESCRIPTION

FIG. 1 is a front perspective view of a connector housing showing a first embodiment of our new design;

FIG. 2 is a right side view thereof;
FIG. 3 is a left side view thereof;
FIG. 4 is a front view thereof;
FIG. 5 is a rear view thereof;
FIG. 6 is a top view thereof;
FIG. 7 is a bottom view thereof;
FIG. 8 is a front perspective view of a connector housing showing a second embodiment of our new design;
FIG. 9 is a right side view thereof;
FIG. 10 is a left side view thereof;
FIG. 11 is a front view thereof;
FIG. 12 is a rear view thereof;
FIG. 13 is a top view thereof;
FIG. 14 is a bottom view thereof;
FIG. 15 is a front perspective view of a connector housing showing a third embodiment of our new design;
FIG. 16 is a right side view thereof;
FIG. 17 is a left side view thereof;
FIG. 18 is a front view thereof;
FIG. 19 is a rear view thereof;
FIG. 20 is a top view thereof;
FIG. 21 is a bottom view thereof;
FIG. 22 is a front perspective view of a connector housing showing a fourth embodiment of our new design;
FIG. 23 is a right side view thereof;
FIG. 24 is a left side view thereof;
FIG. 25 is a front view thereof;
FIG. 26 is a rear view thereof;
FIG. 27 is a top view thereof;
FIG. 28 is a bottom view thereof;
FIG. 29 is a front perspective view of a connector housing showing a fifth embodiment of our new design;
FIG. 30 is a right side view thereof;
FIG. 31 is a left side view thereof;
FIG. 32 is a front view thereof;
FIG. 33 is a rear view thereof;
FIG. 34 is a top view thereof;
FIG. 35 is a bottom view thereof;
FIG. 36 is a front perspective view of a connector housing showing a sixth embodiment of our new design;
FIG. 37 is a right side view thereof;
FIG. 38 is a left side view thereof;
FIG. 39 is a front view thereof;
FIG. 40 is a rear view thereof;

(Continued)

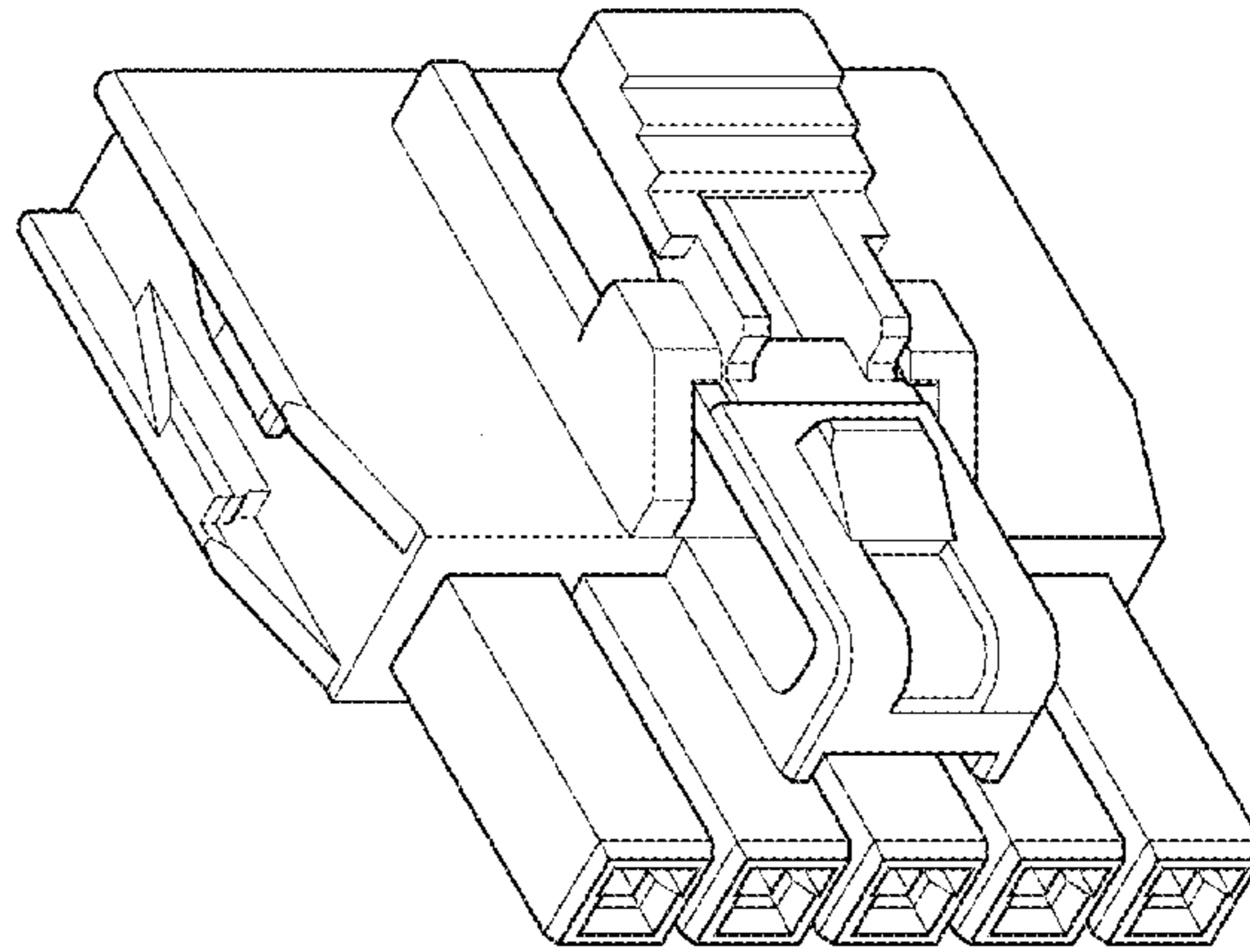
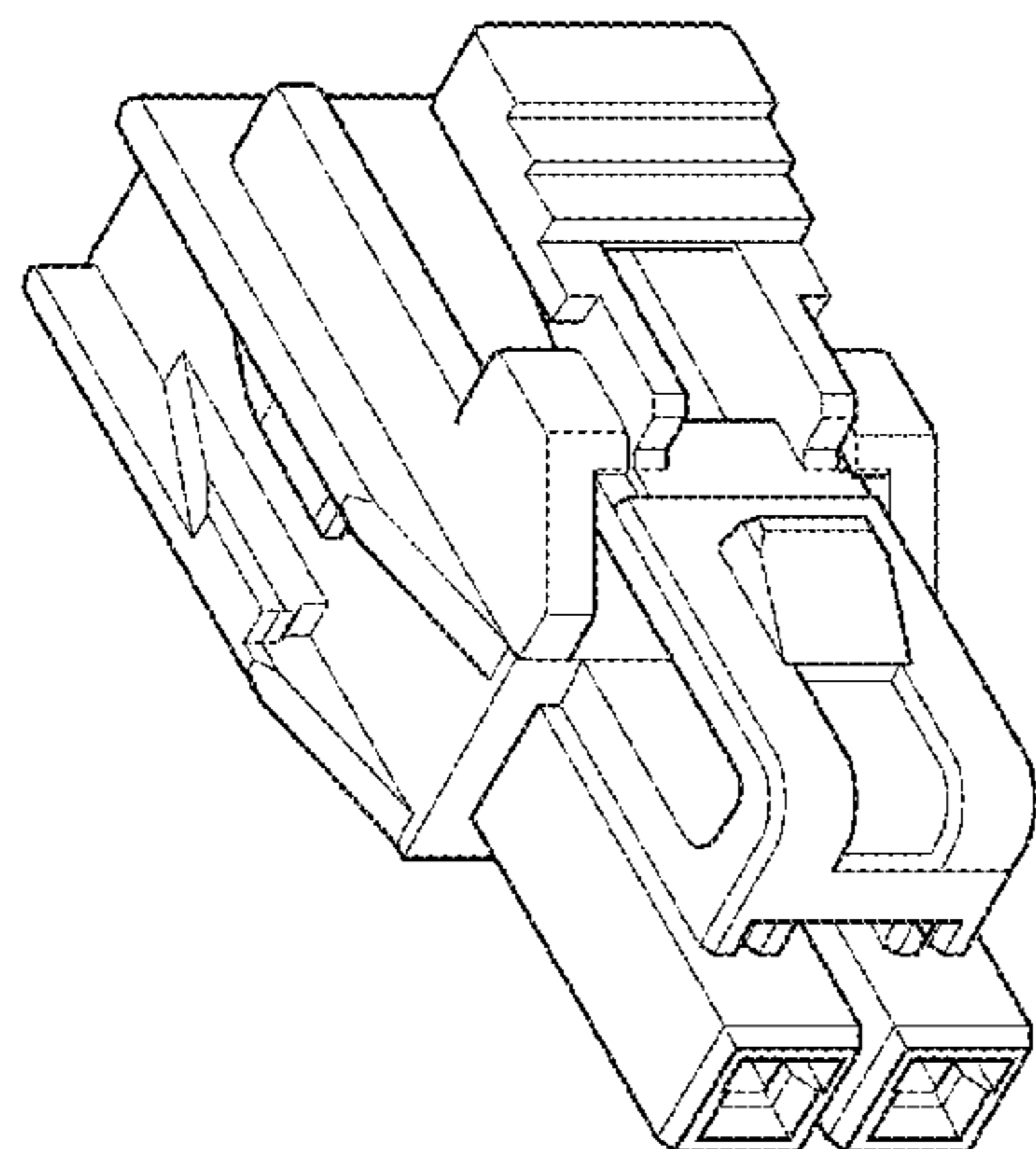


FIG. 41 is a top view thereof;
FIG. 42 is a bottom view thereof;
FIG. 43 is a front perspective view of a connector housing showing a seventh embodiment of our new design;
FIG. 44 is a right side view thereof;
FIG. 45 is a left side view thereof;
FIG. 46 is a front view thereof;
FIG. 47 is a rear view thereof;
FIG. 48 is a top view thereof; and,
FIG. 49 is a bottom view thereof.

The connector housing in each embodiment is symmetrical about its longitudinal center plane. The broken lines in the drawing views represent unclaimed portions of the connector housing, which are shown for illustration purposes only and form no part of the claimed design.

1 Claim, 49 Drawing Sheets

(58) **Field of Classification Search**

CPC H01R 13/02; H01R 13/436; H01R 13/502;
H01R 13/504; H01R 13/506; H01R
13/514; H01R 13/5208; H01R 13/627;
H01R 13/639; H01R 13/6581; H01R
24/20; H01R 24/28

See application file for complete search history.

(56) **References Cited**

U.S. PATENT DOCUMENTS

D550,628	S	*	9/2007	Whiteman, Jr.	D13/147
D597,956	S	*	8/2009	Sakamoto	D13/147
D748,580	S	*	2/2016	Endo	D13/146
D751,990	S	*	3/2016	Ikeda	D13/147
2016/0197461	A1	*	7/2016	Kitamura	H01R 24/20 174/72 A

* cited by examiner

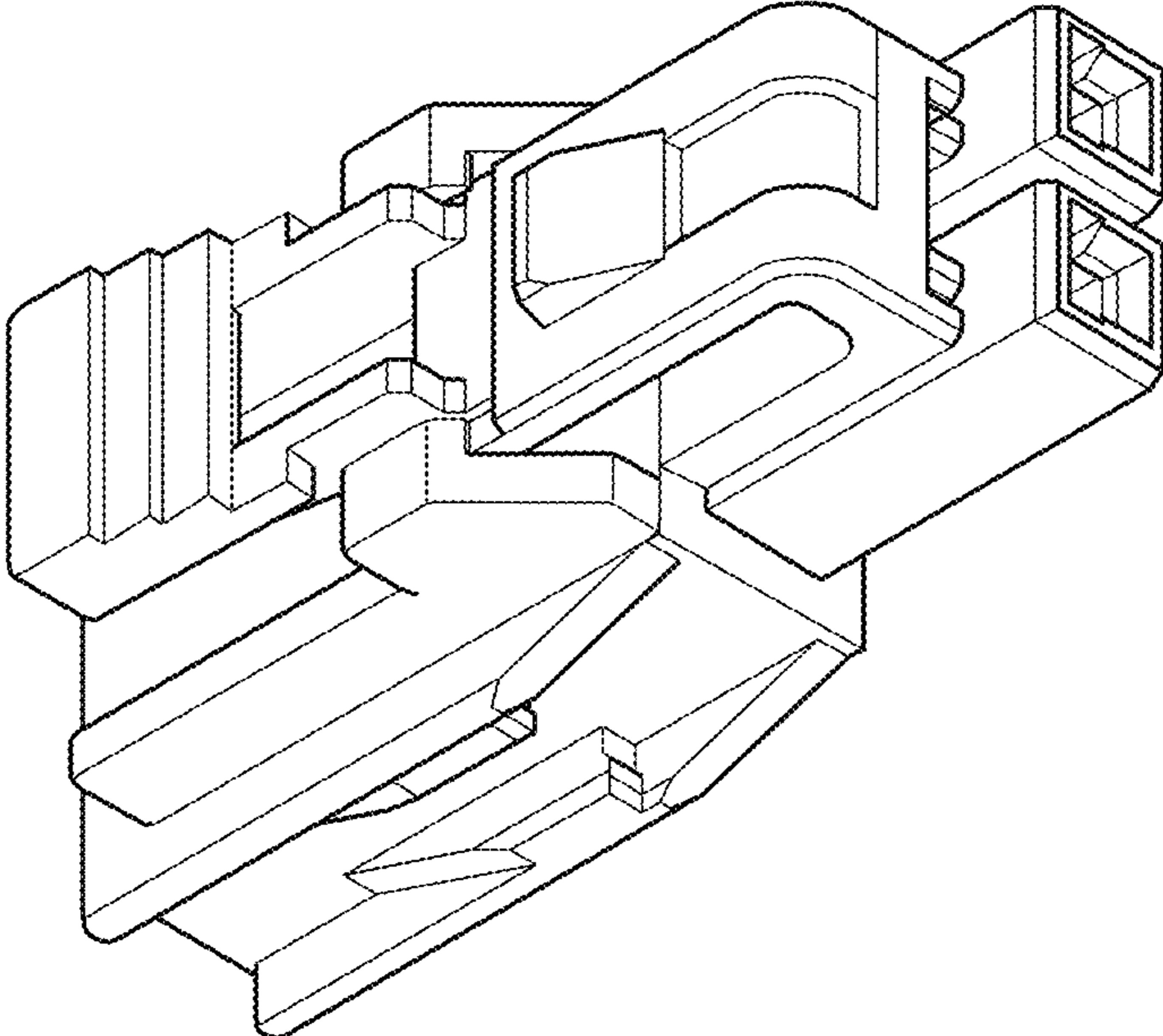


FIG. 1

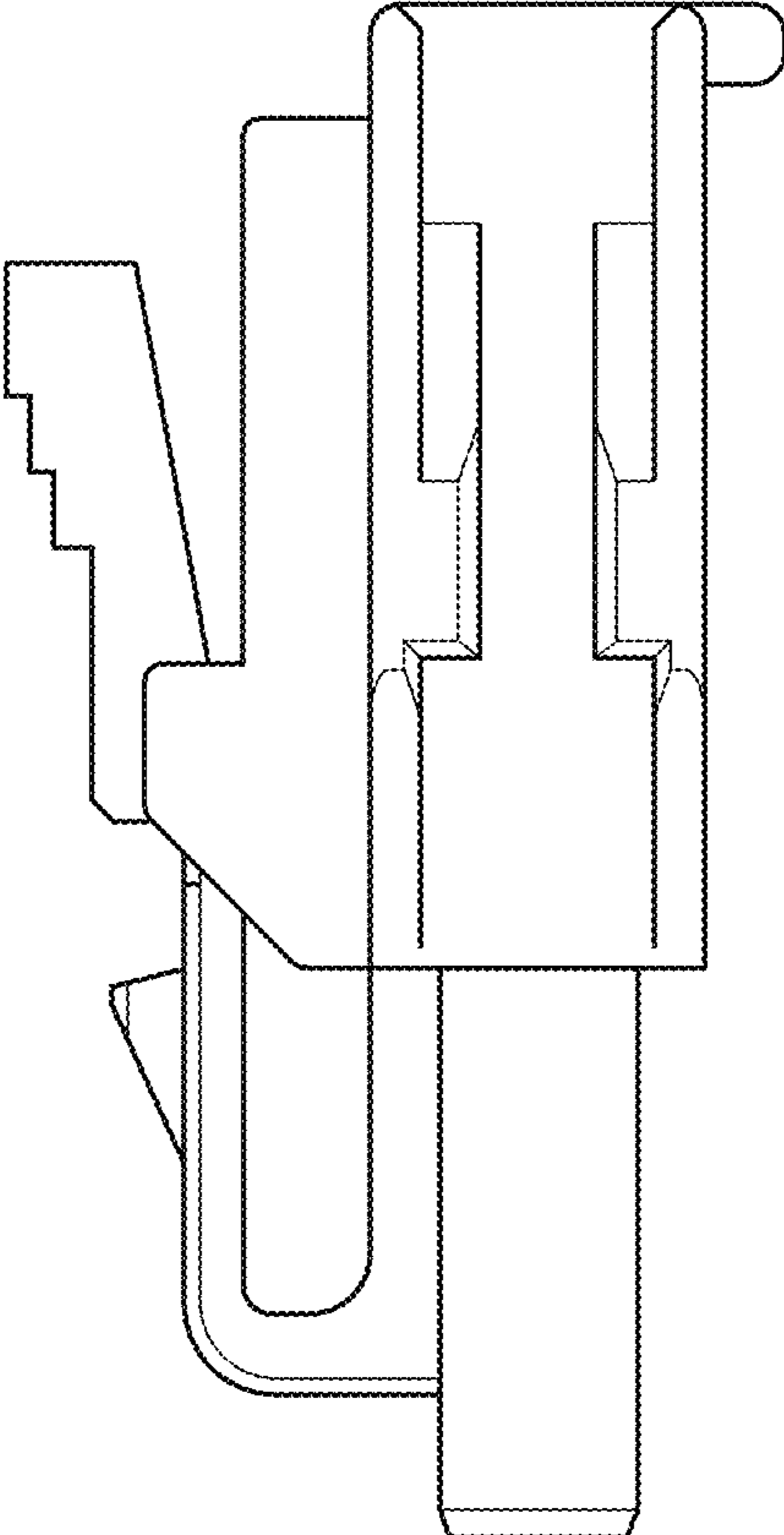


FIG. 2

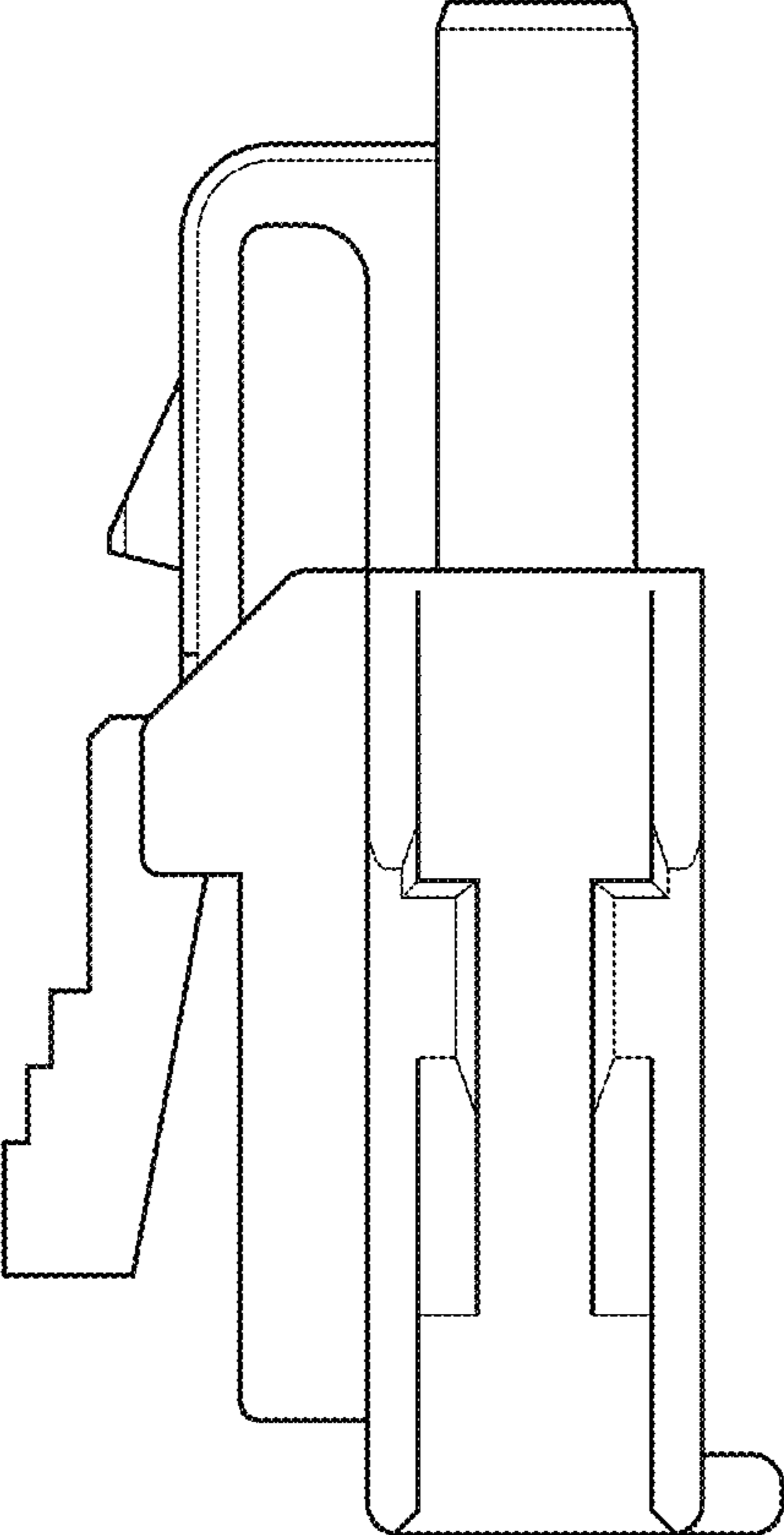


FIG. 3

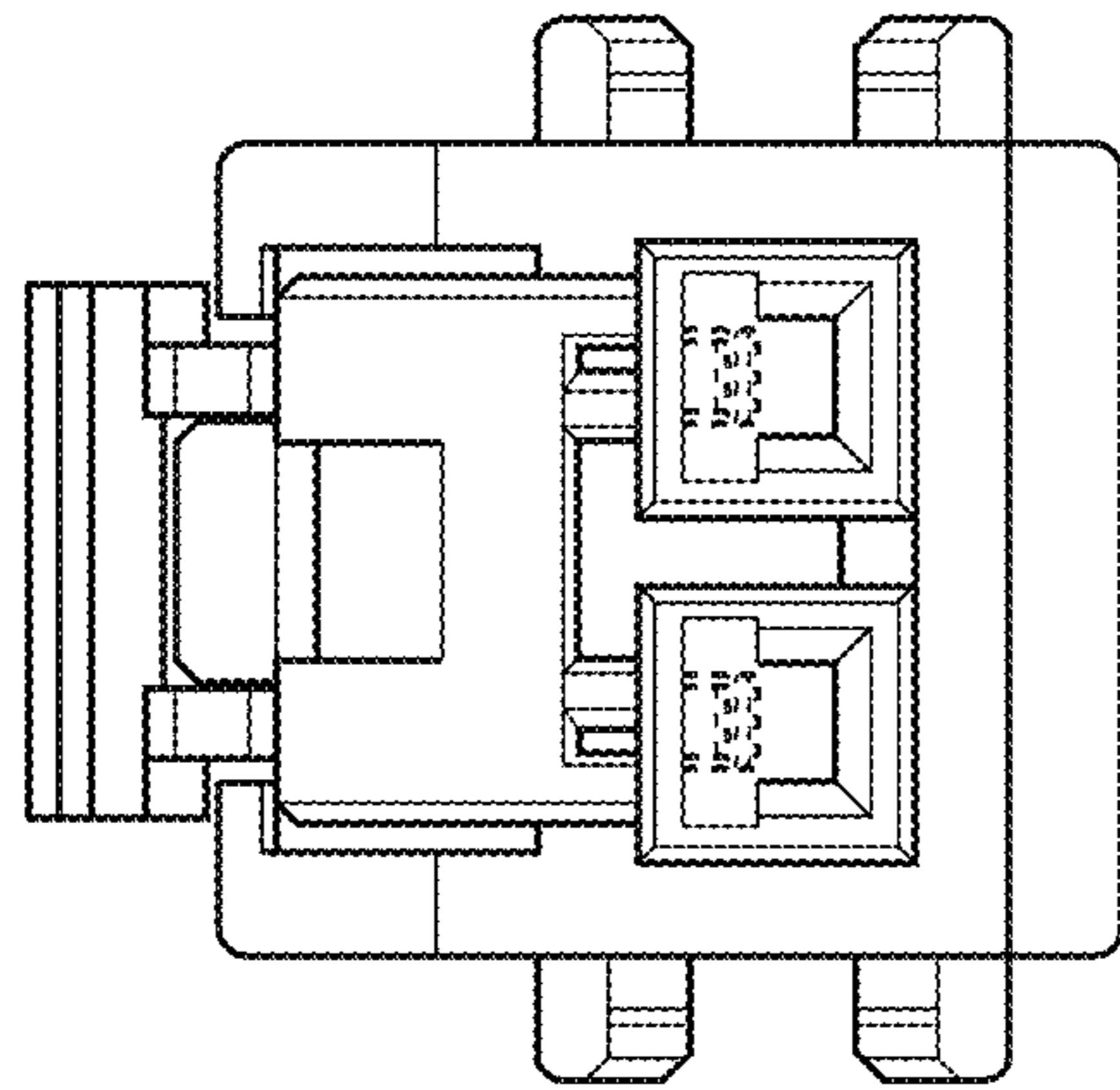


FIG. 4

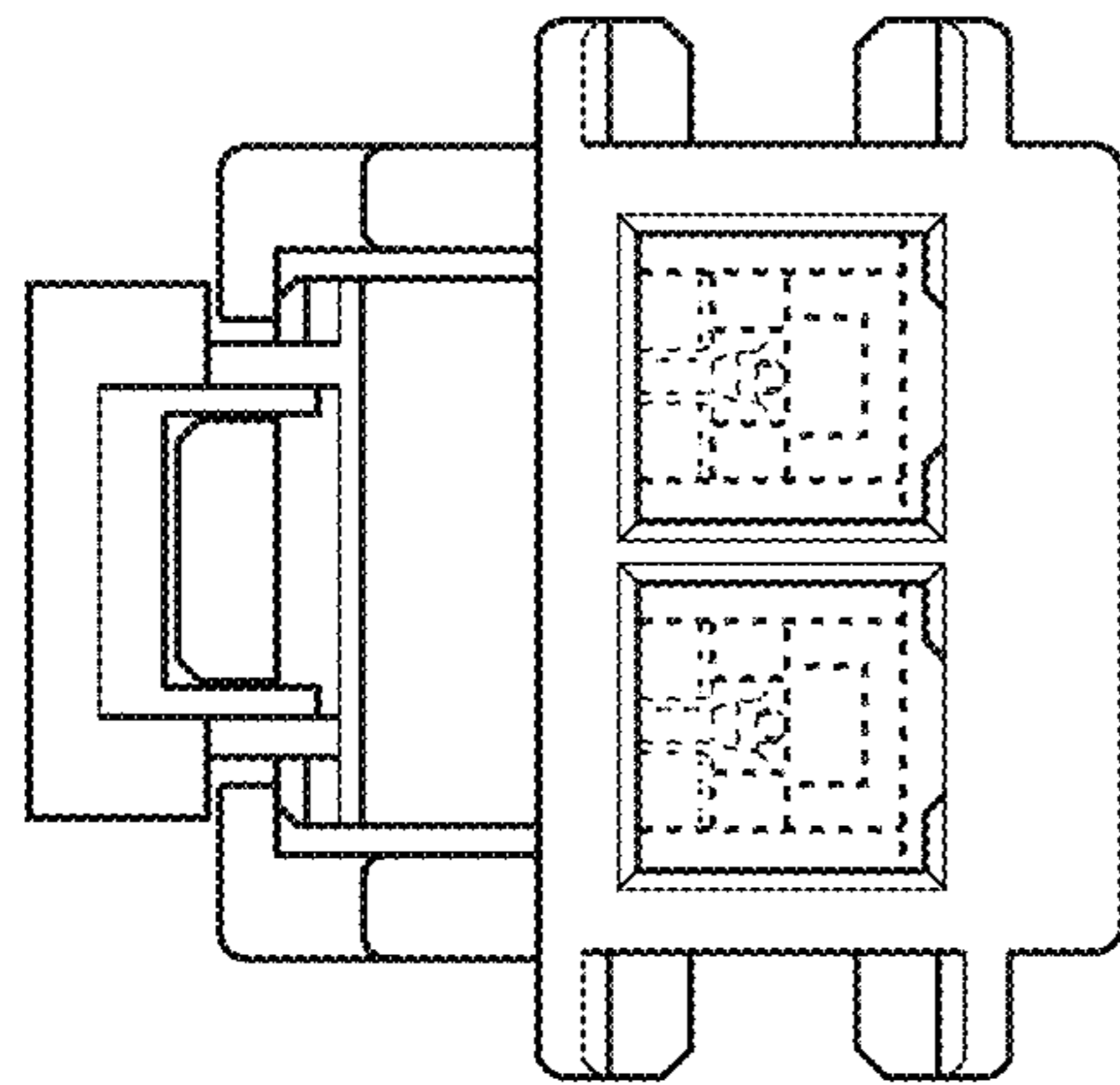


FIG. 5

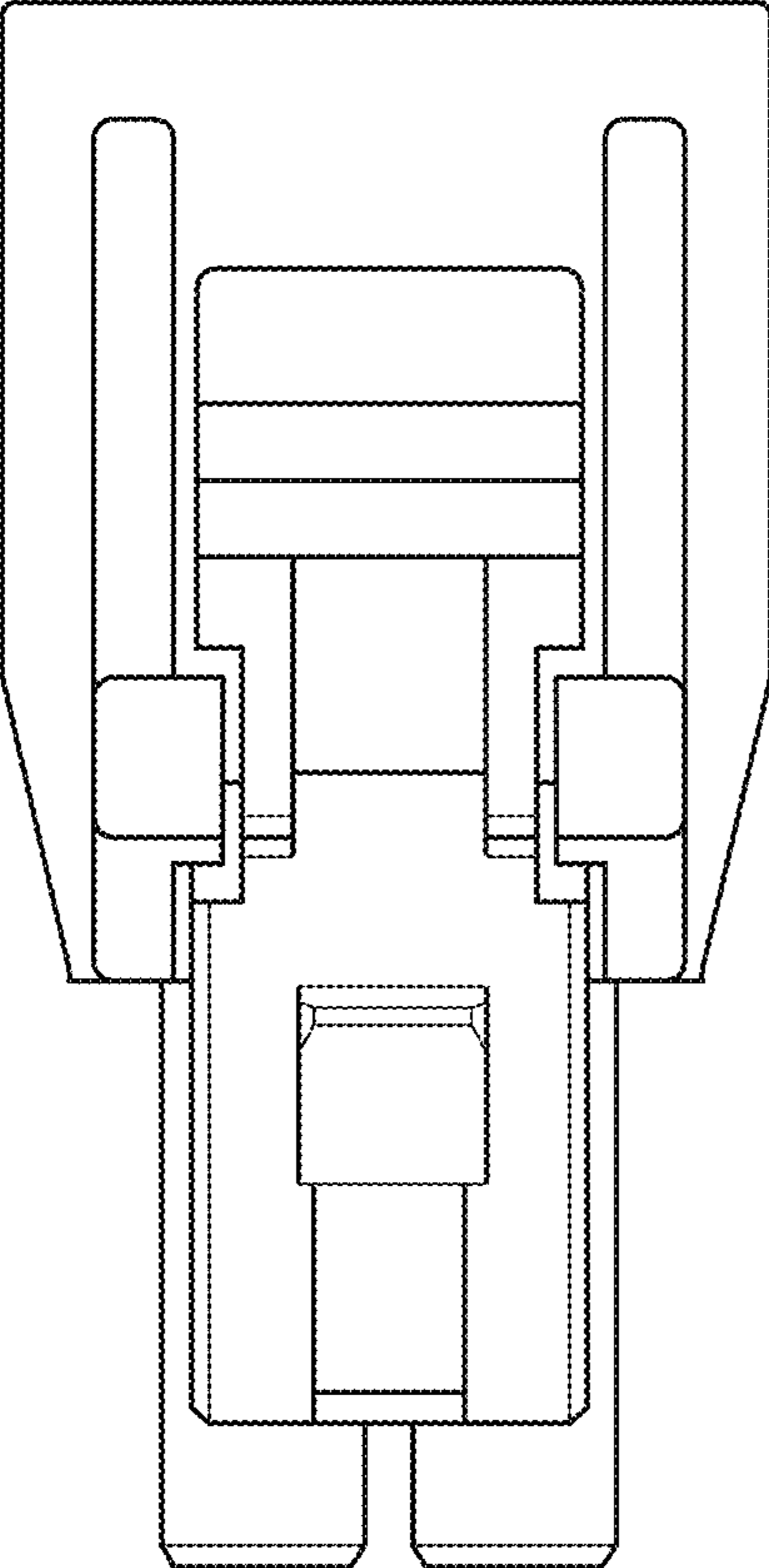


FIG. 6

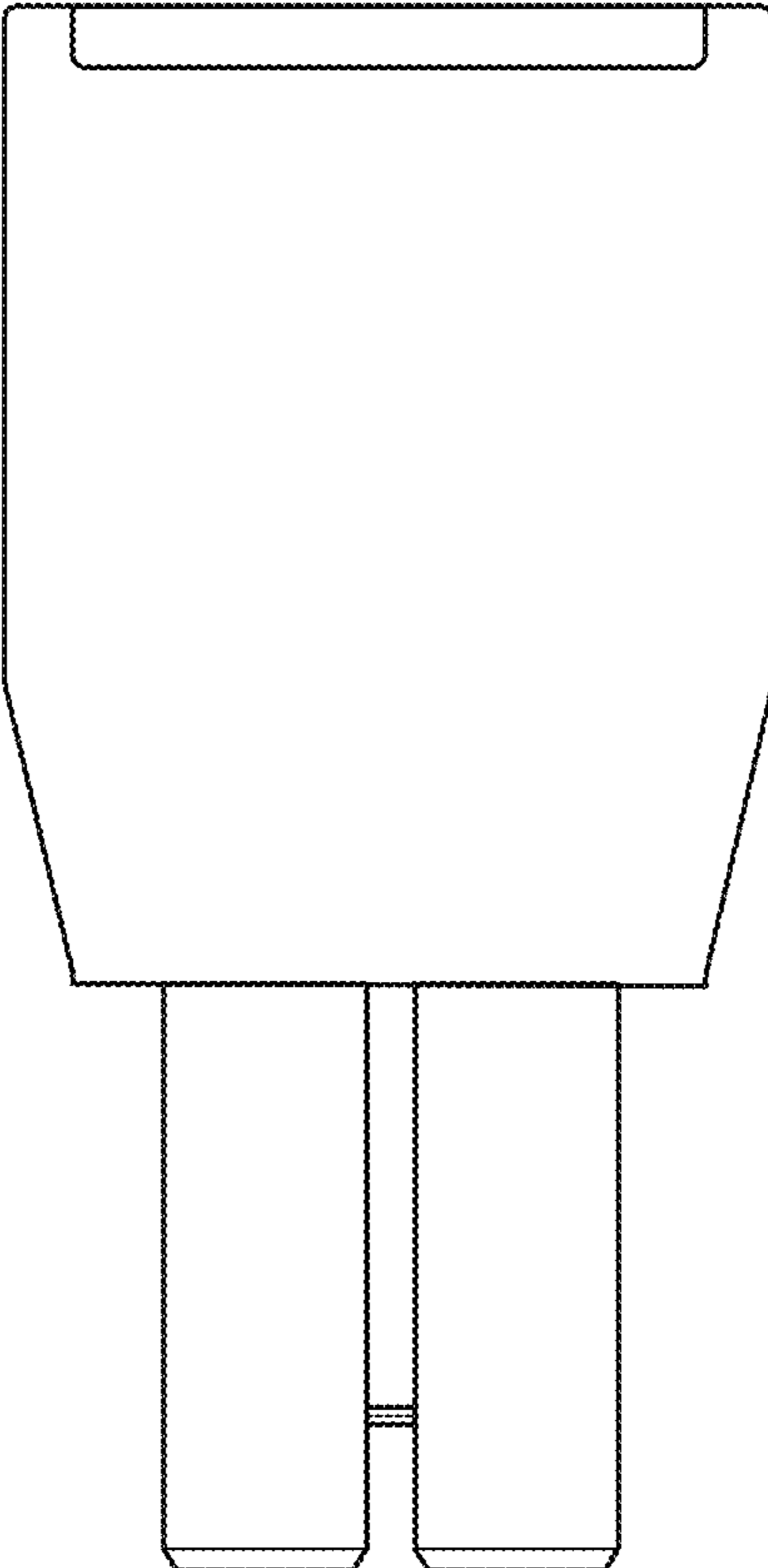


FIG. 7

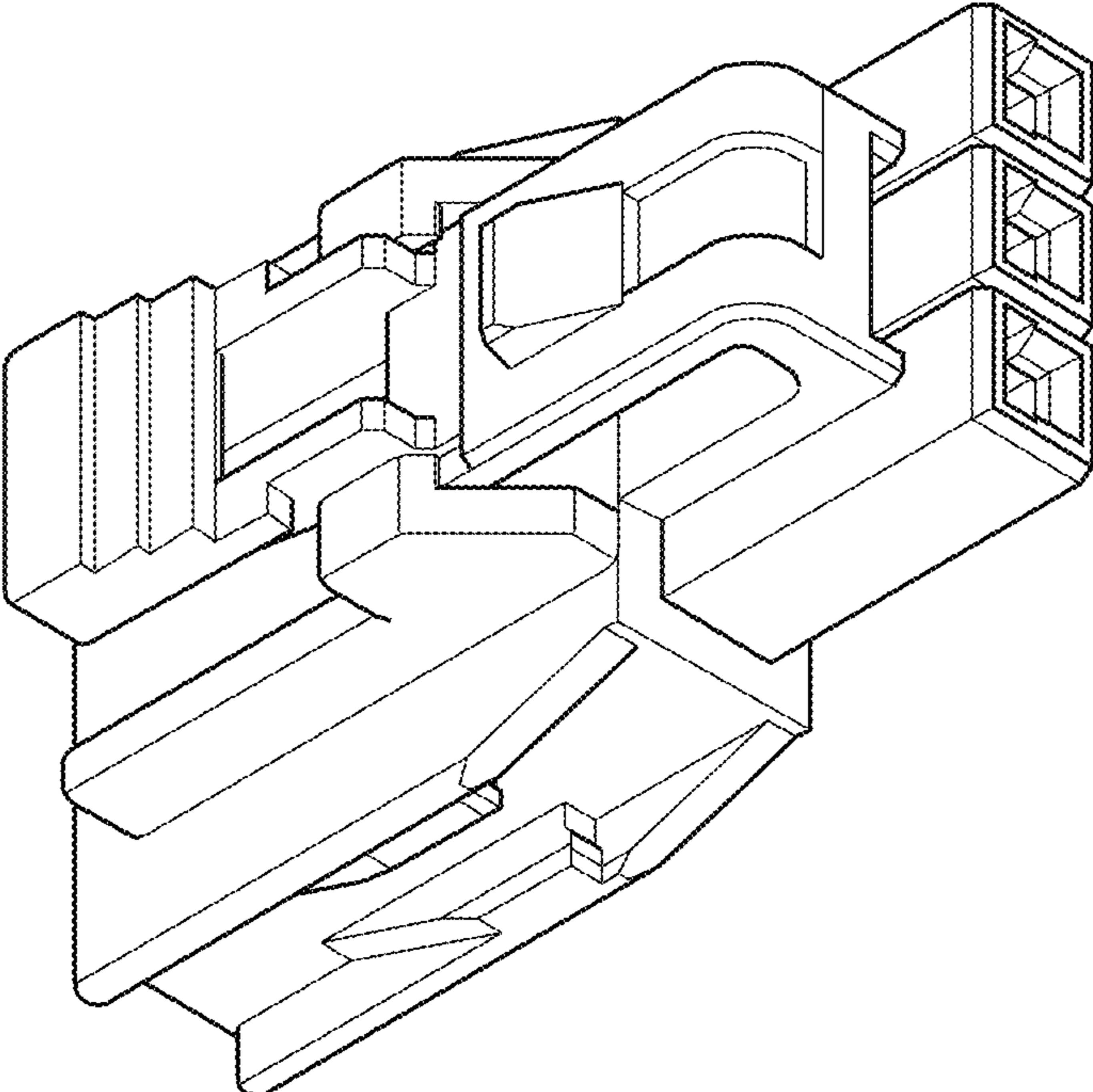


FIG. 8

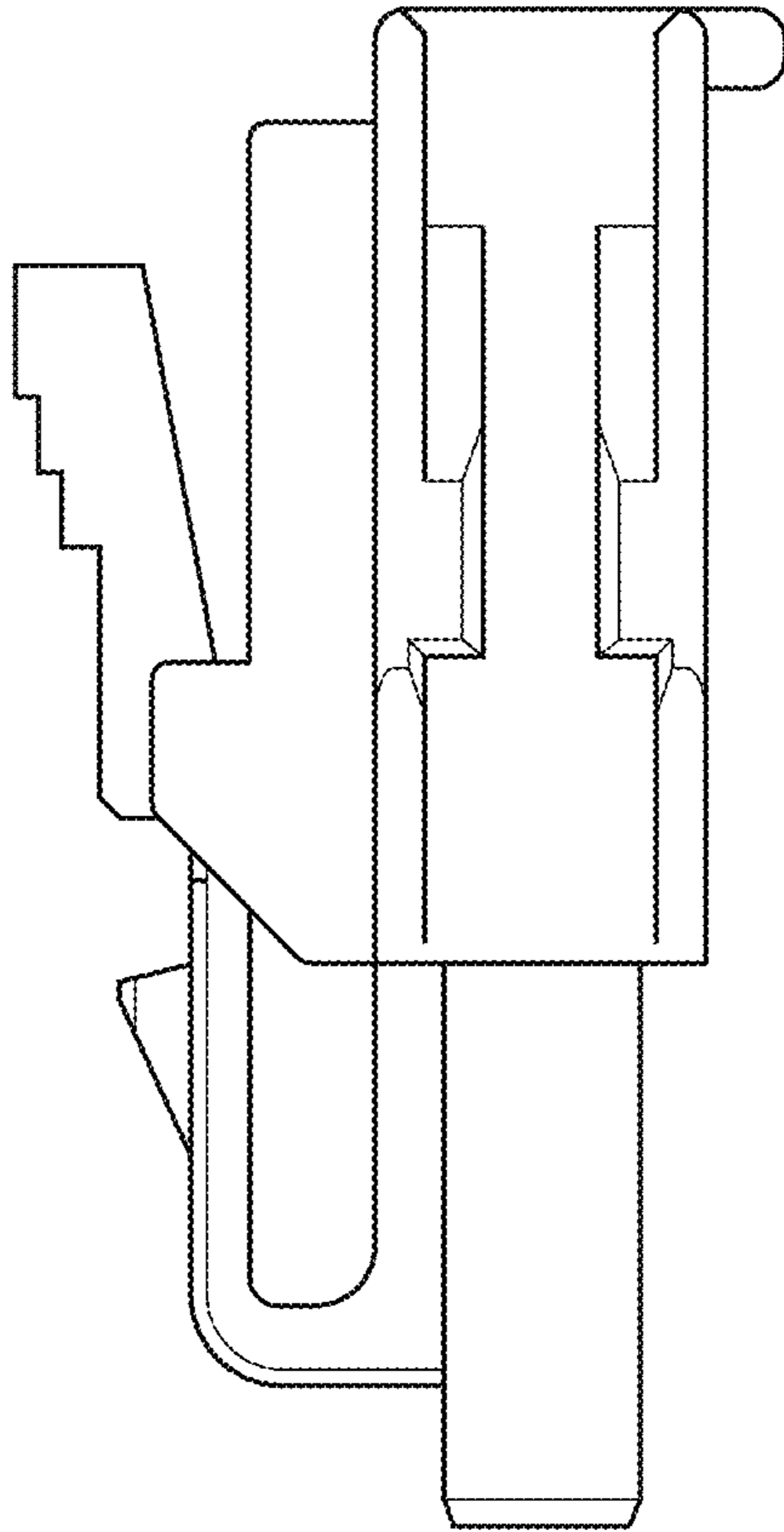


FIG. 9

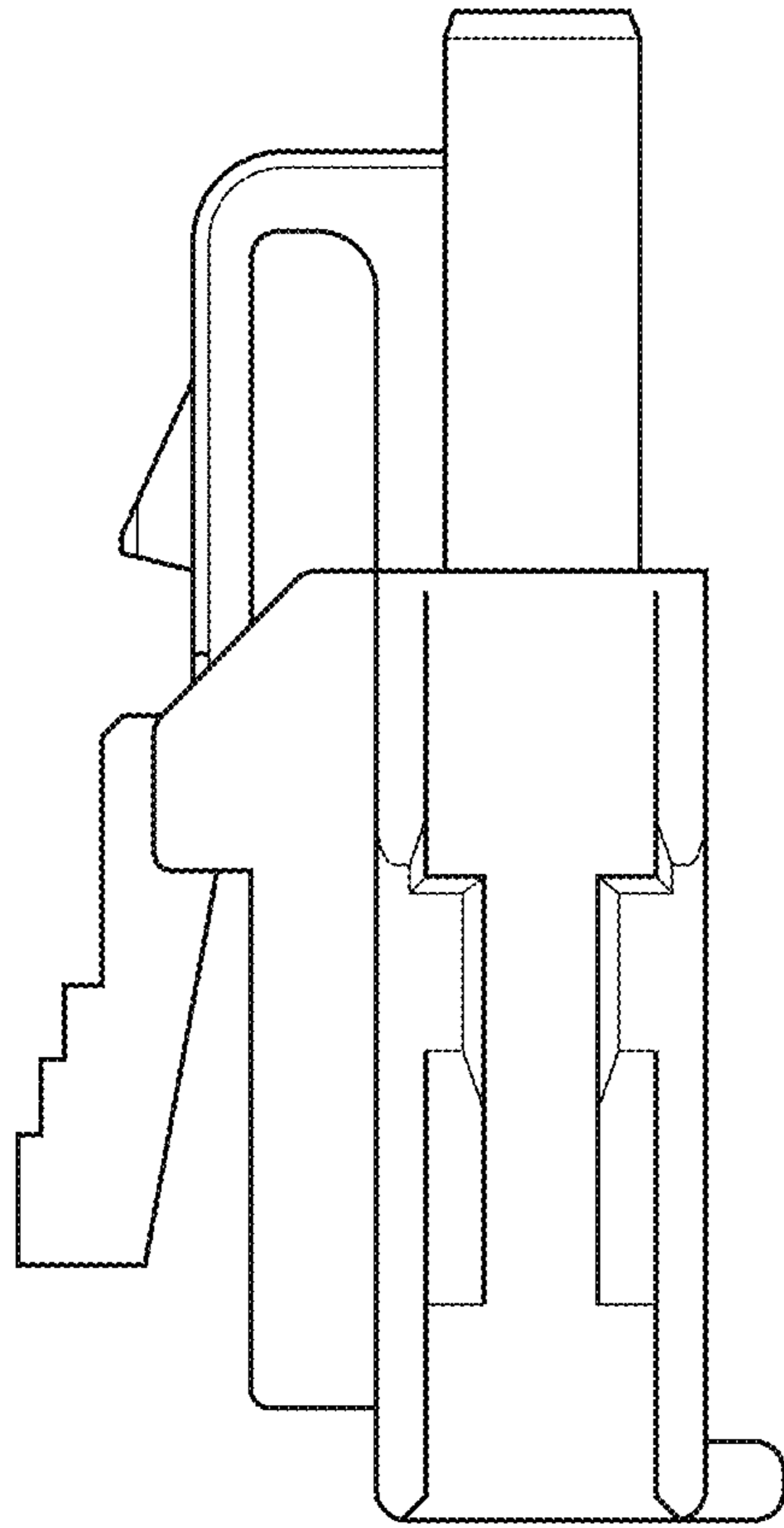


FIG. 10

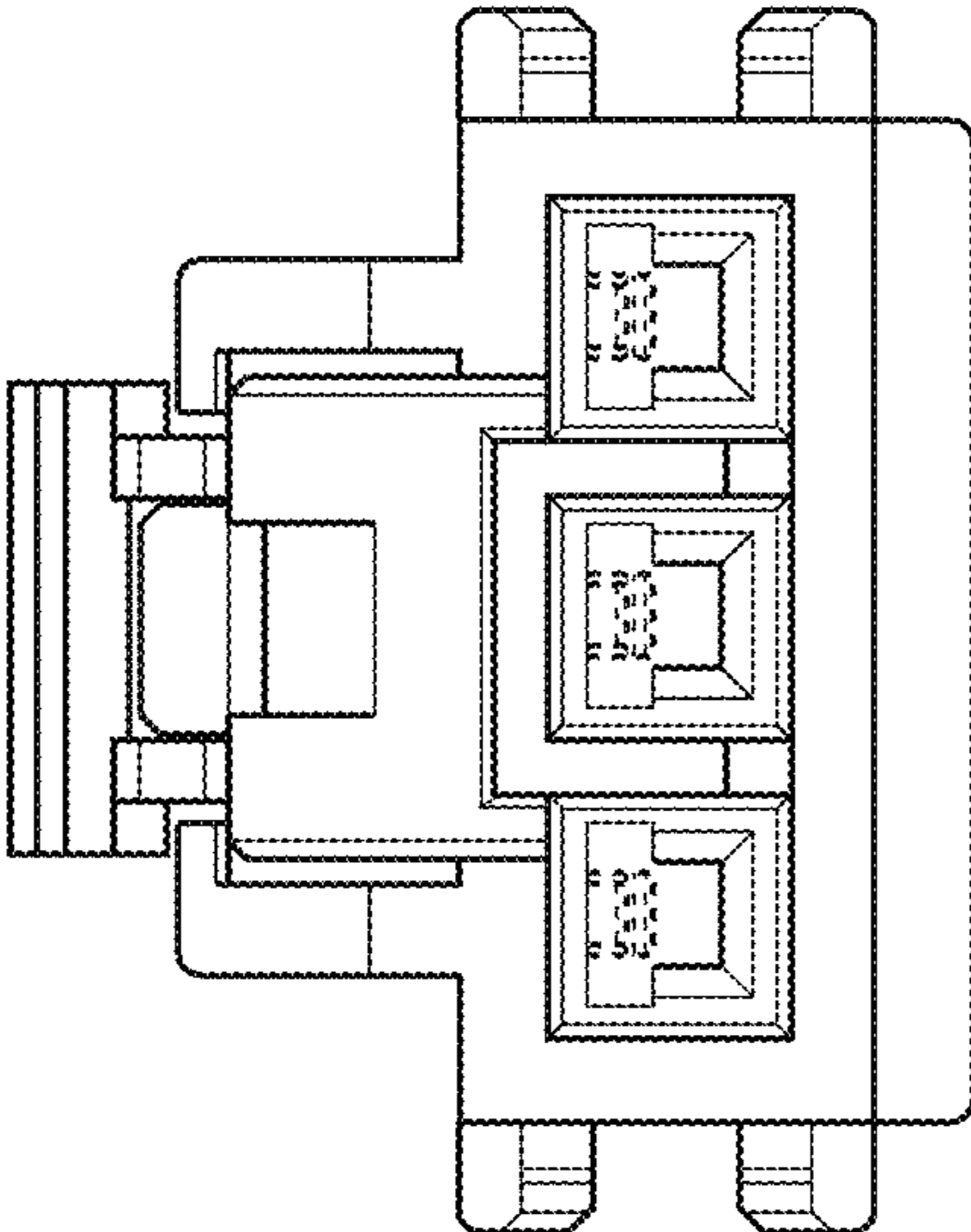


FIG. 11

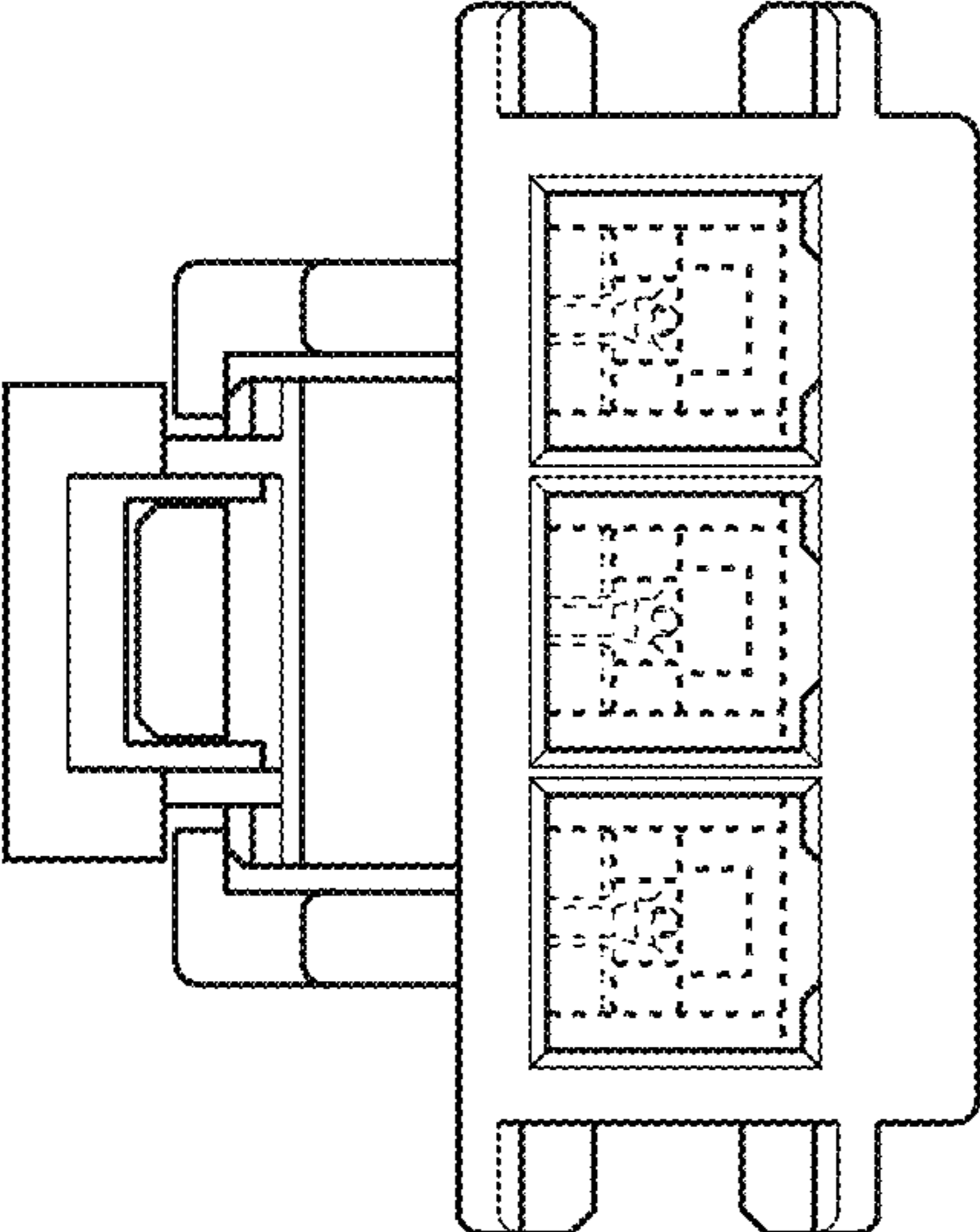


FIG. 12

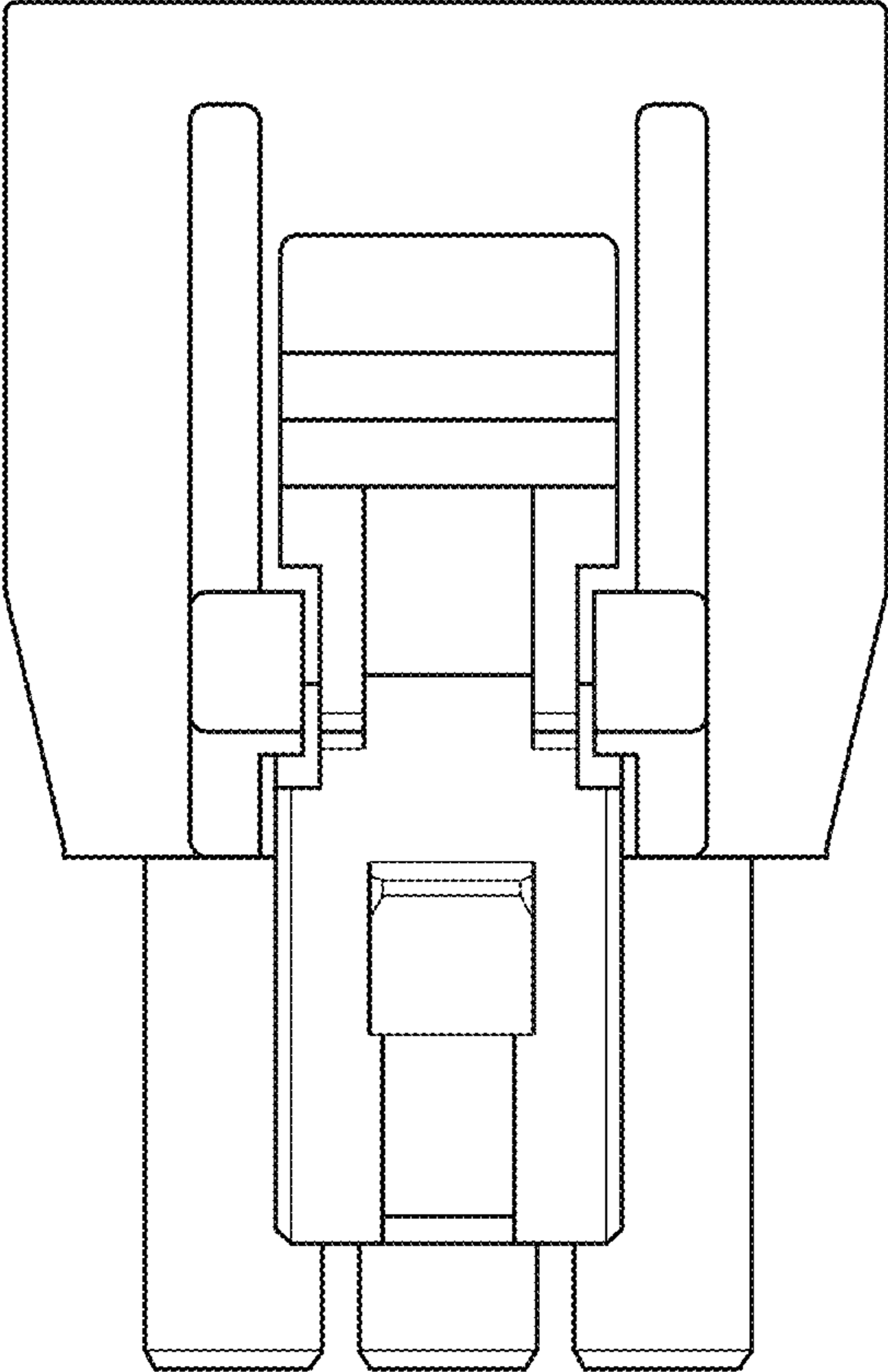


FIG. 13

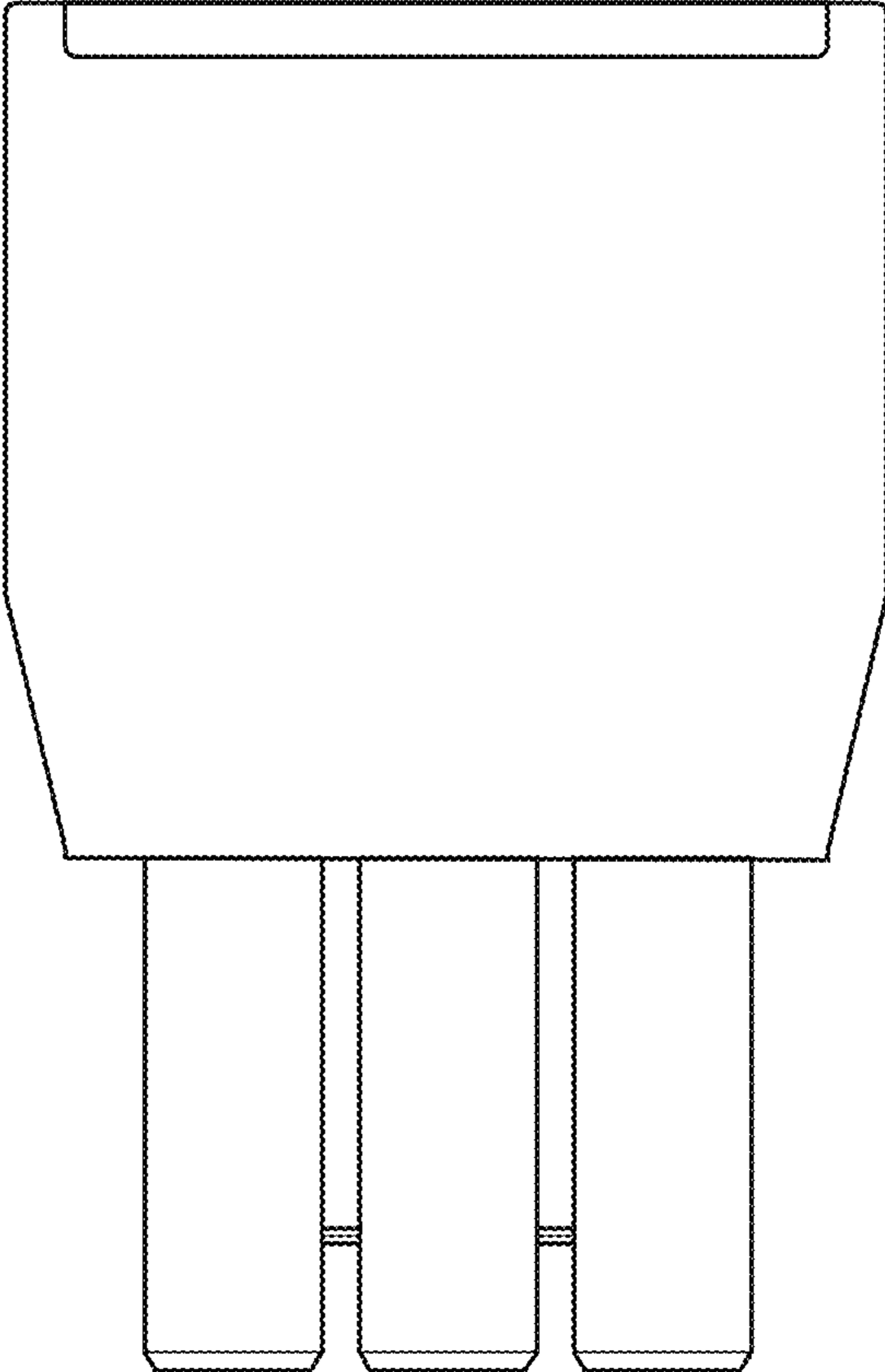


FIG. 14

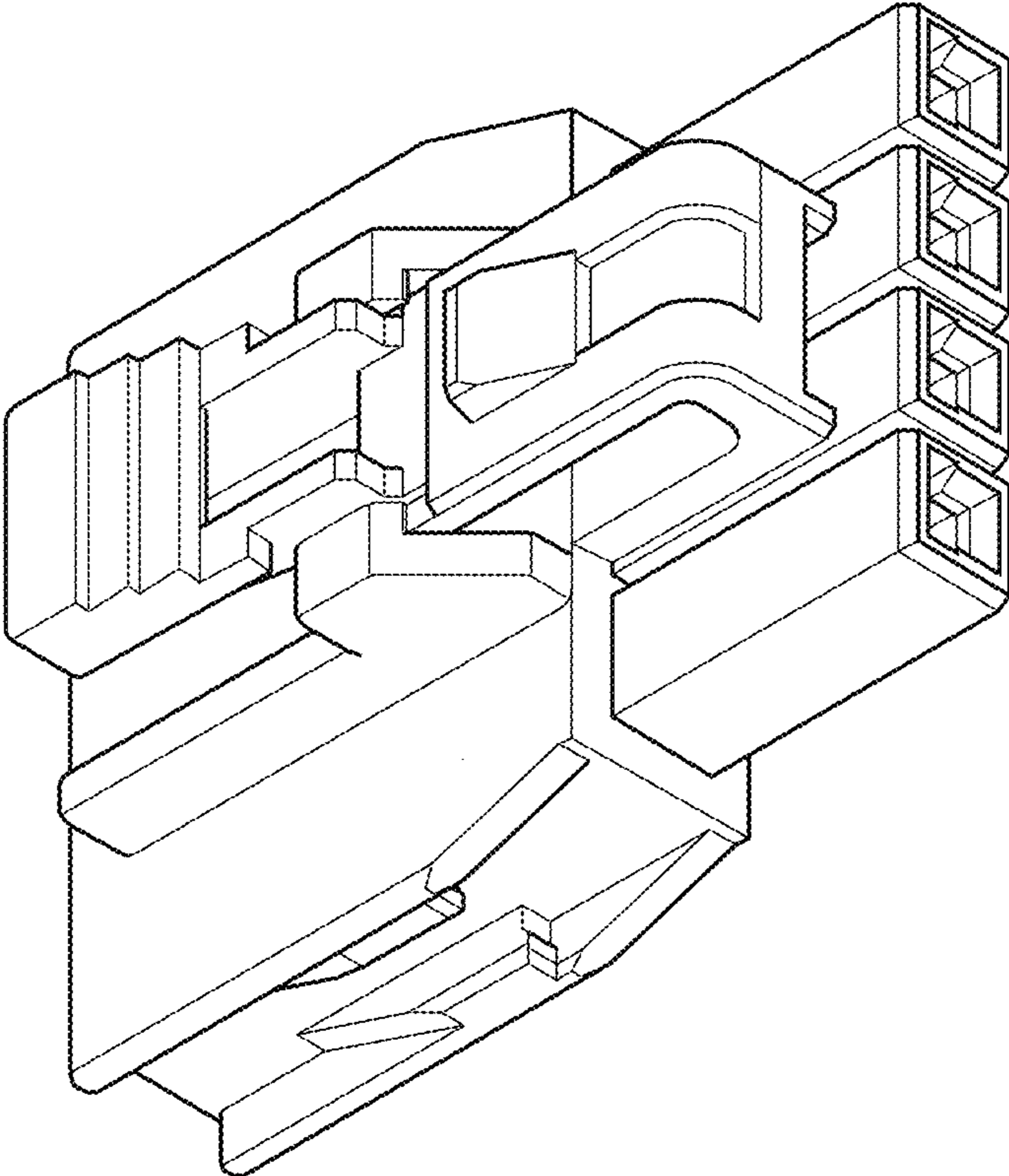


FIG. 15

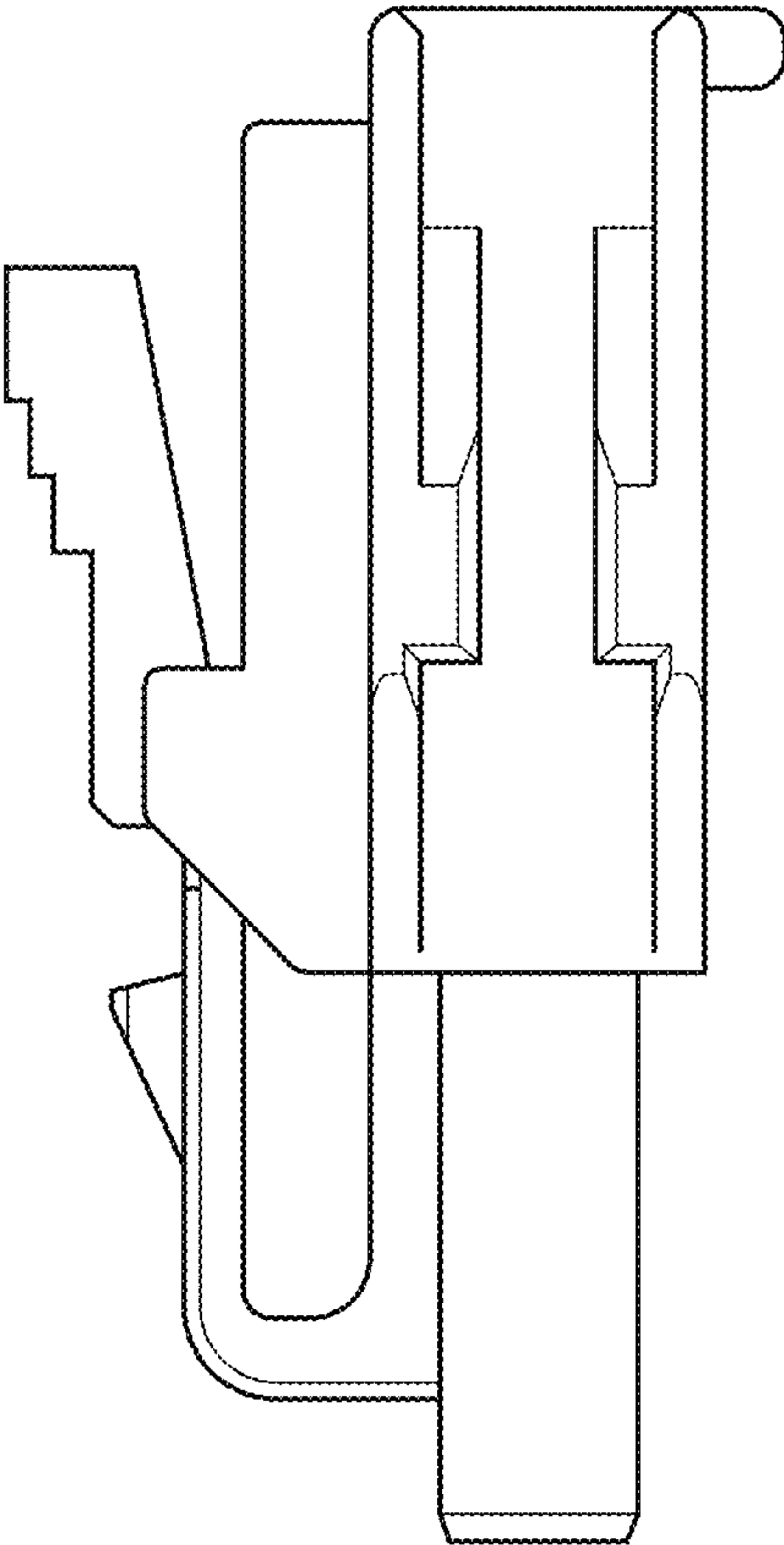


FIG. 16

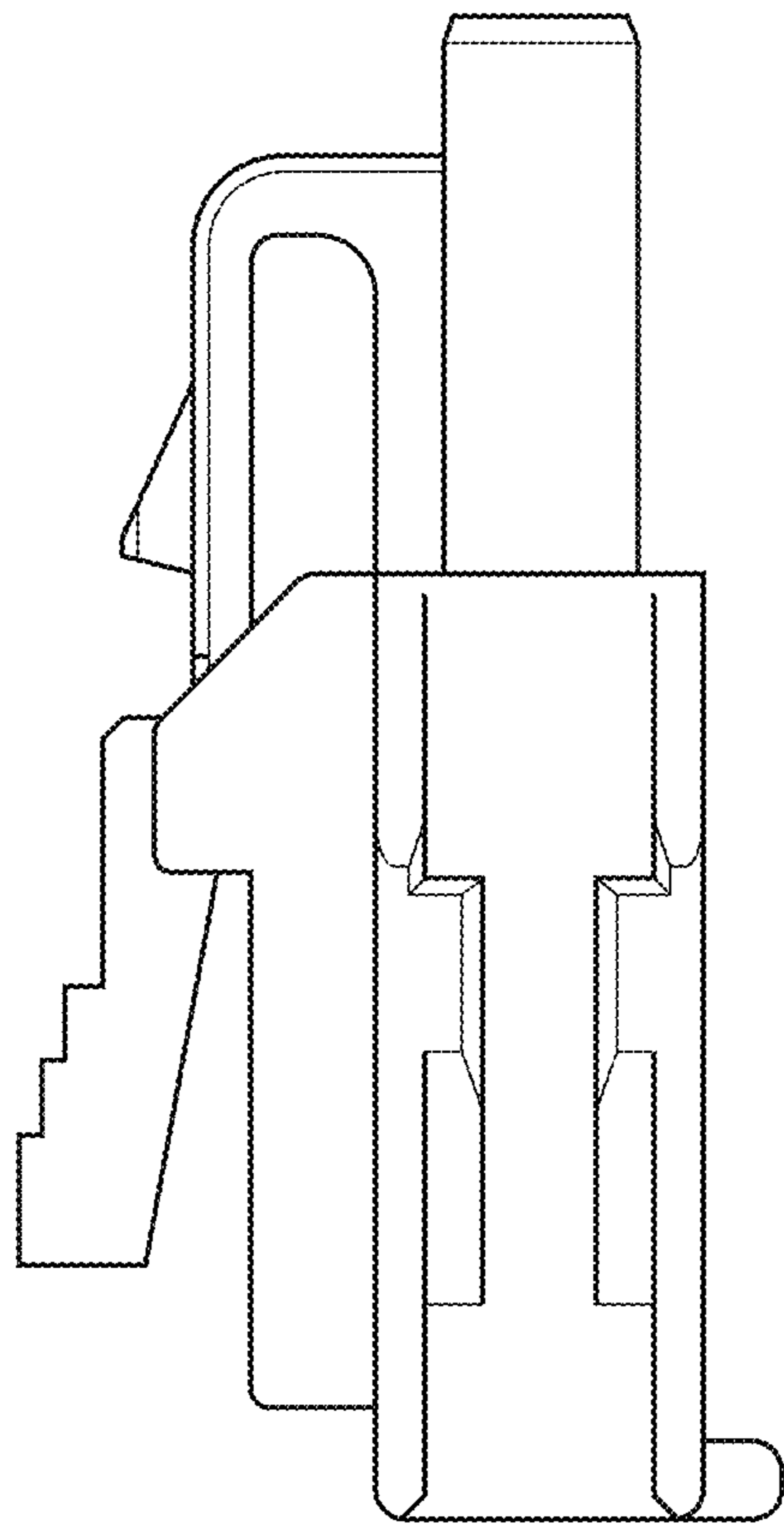


FIG. 17

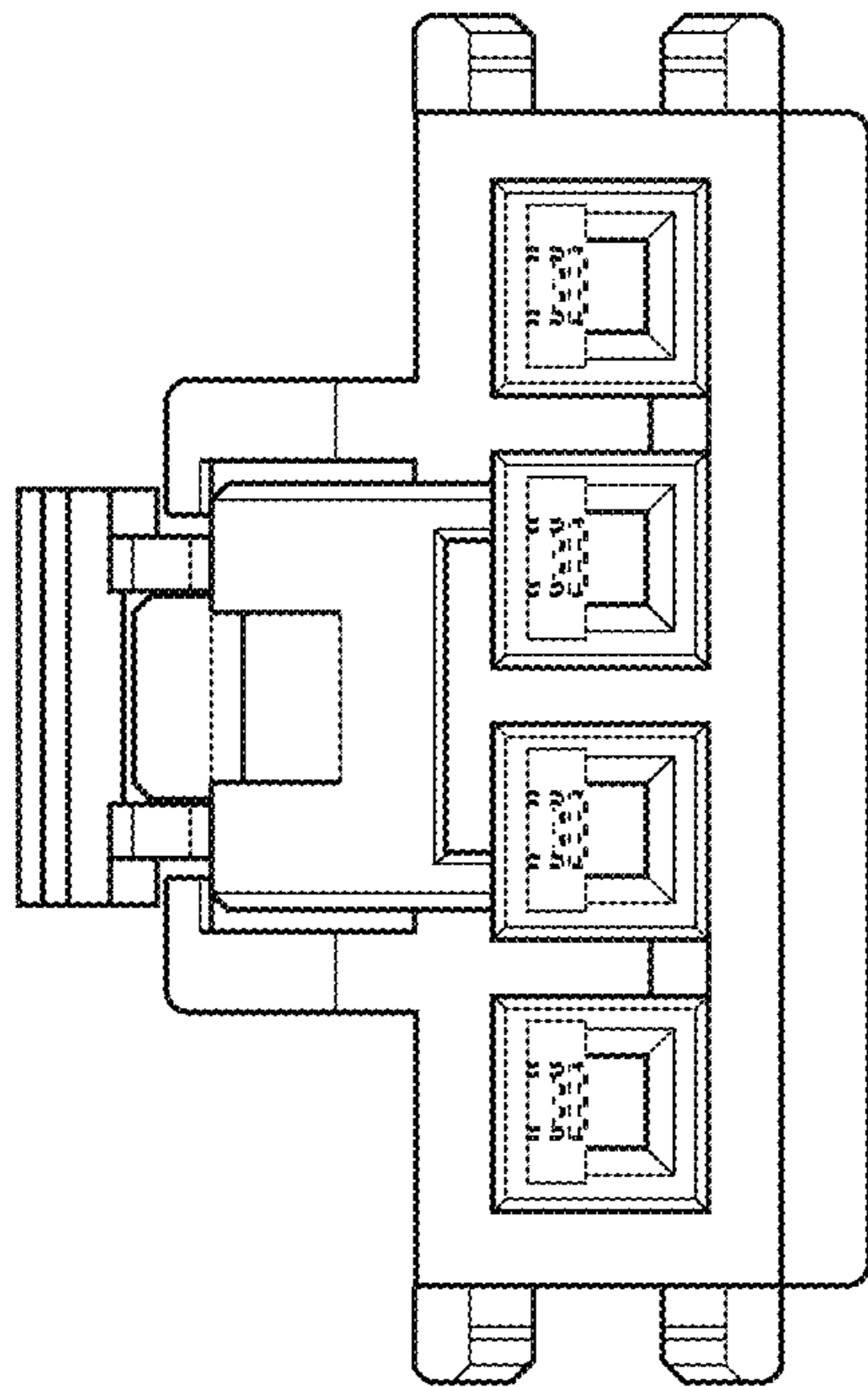


FIG. 18

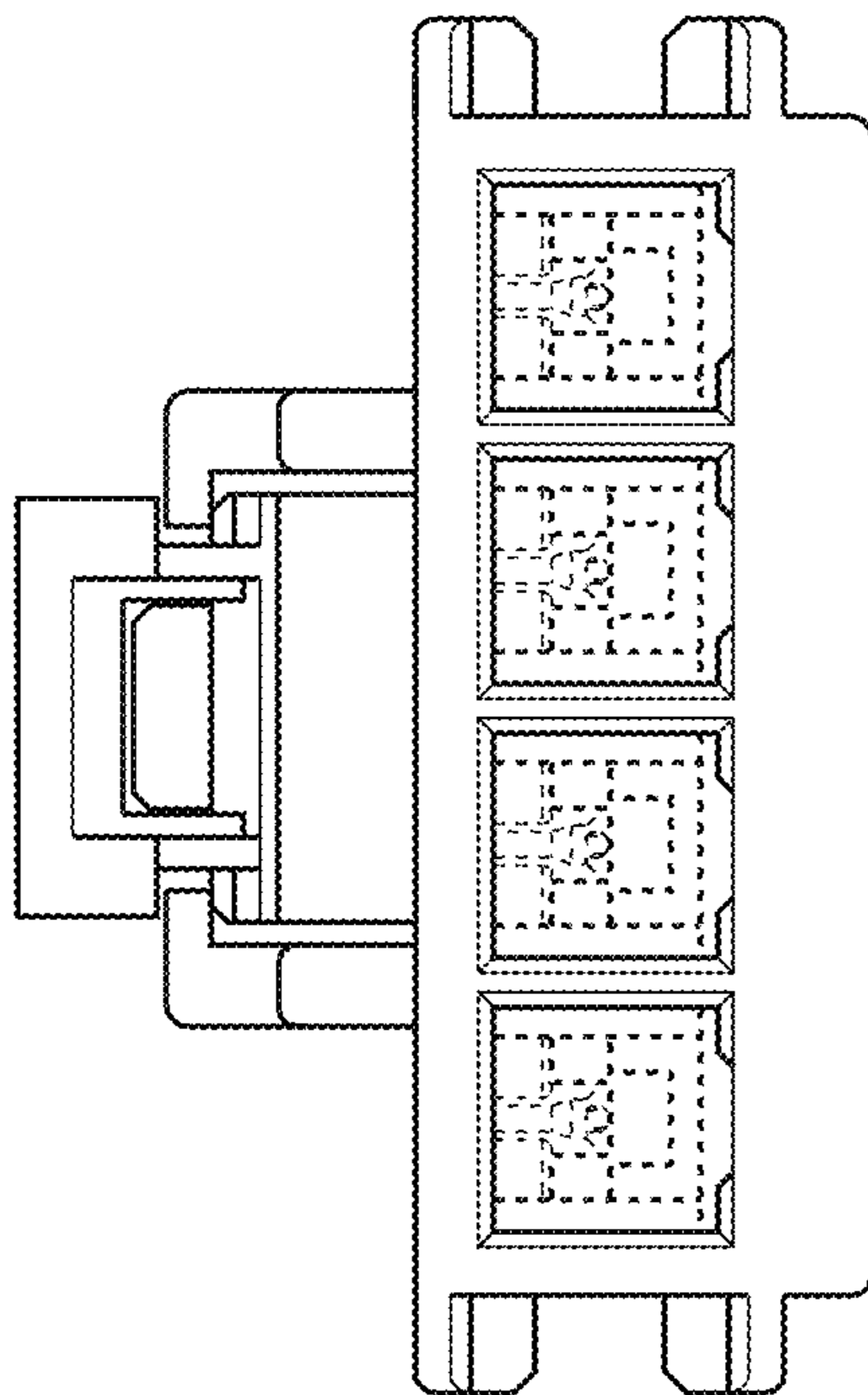


FIG. 19

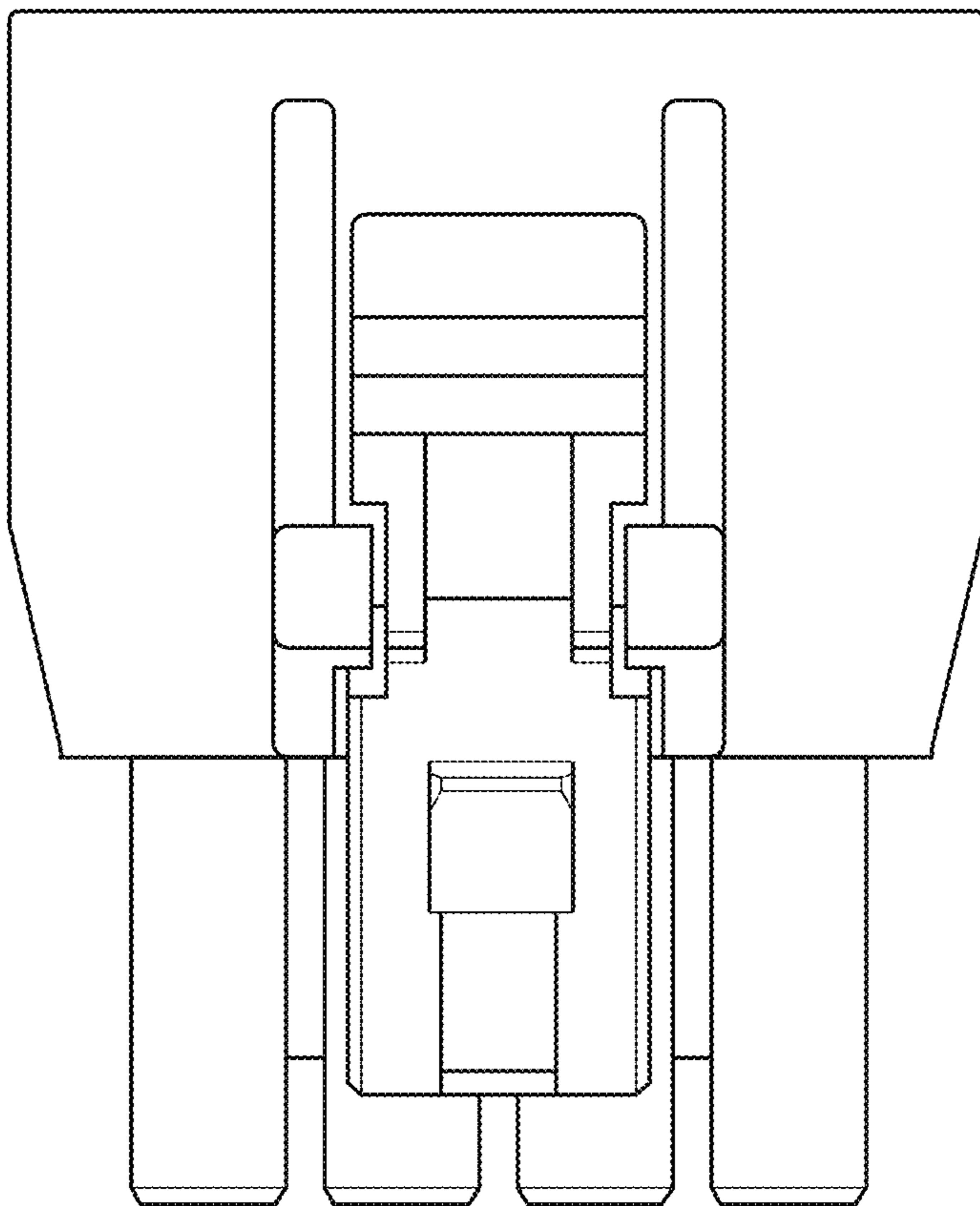


FIG. 20

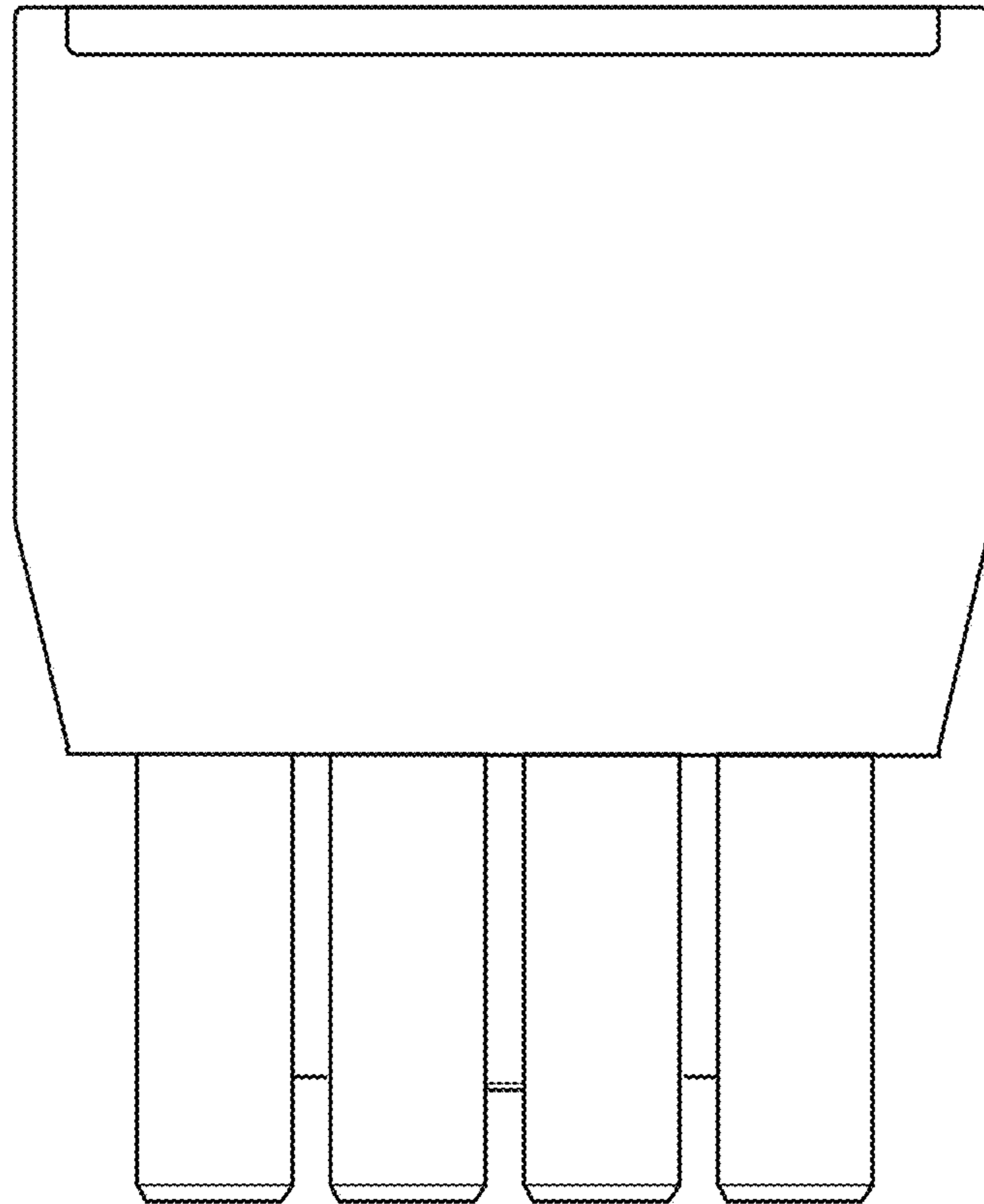


FIG. 21

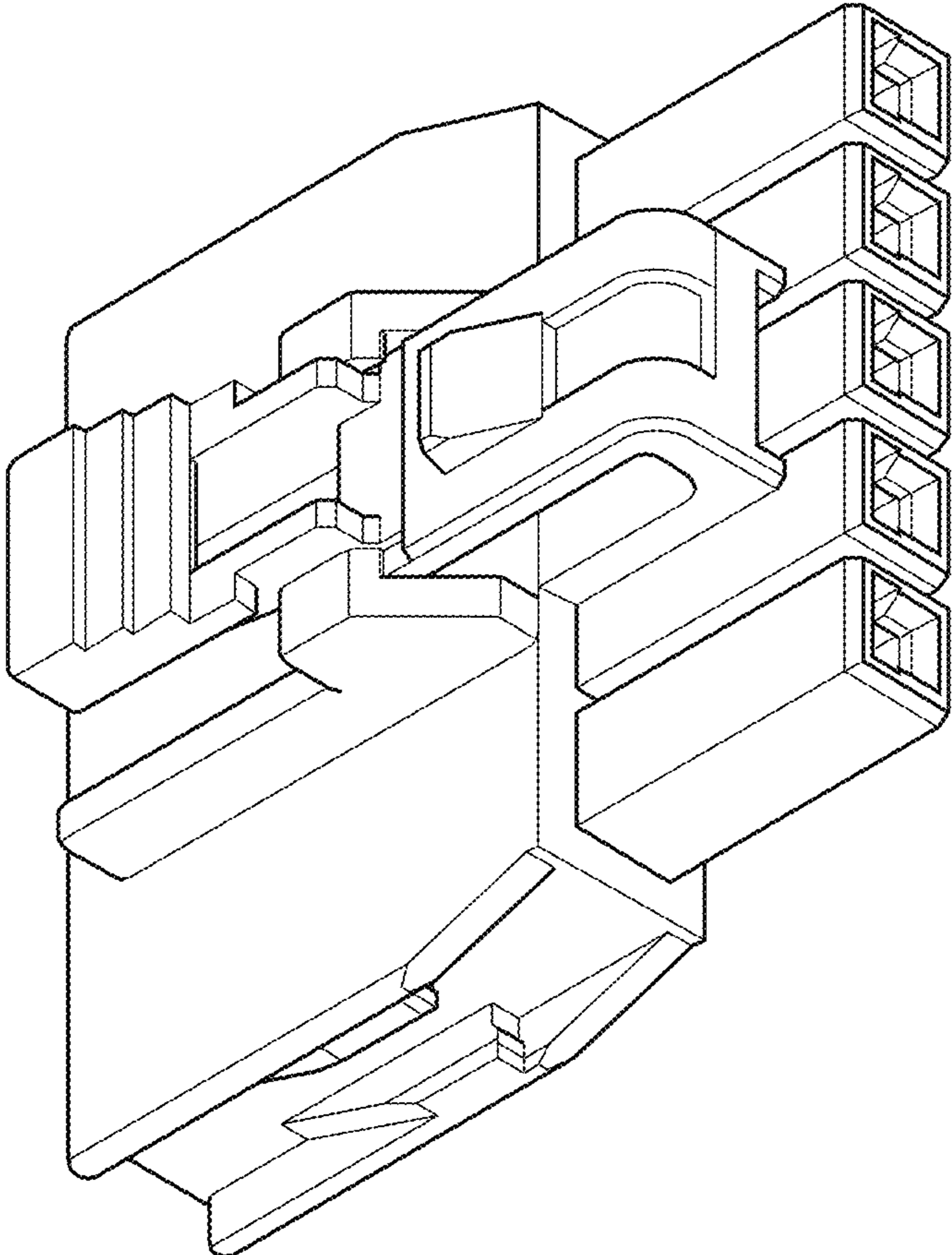


FIG. 22

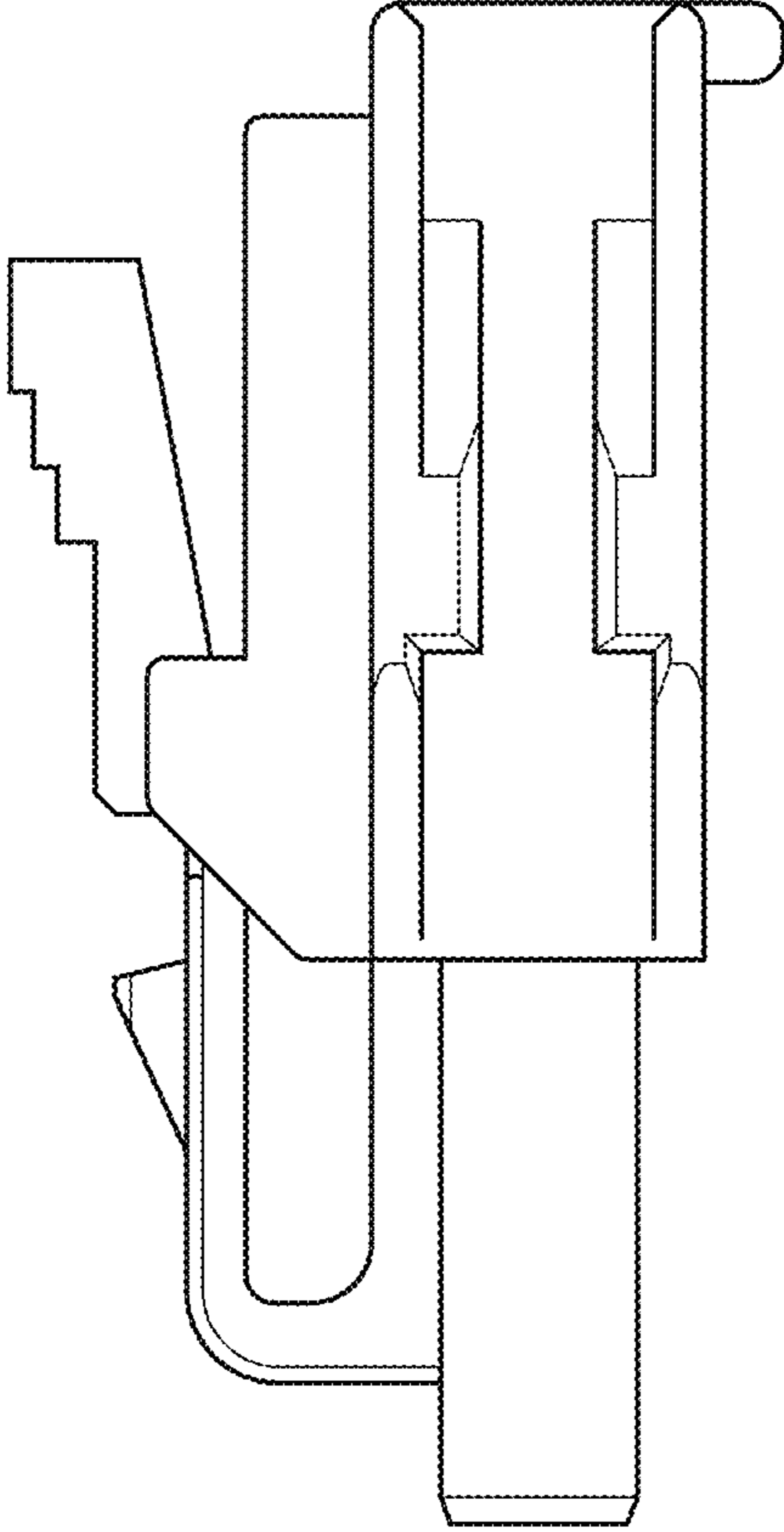


FIG. 23

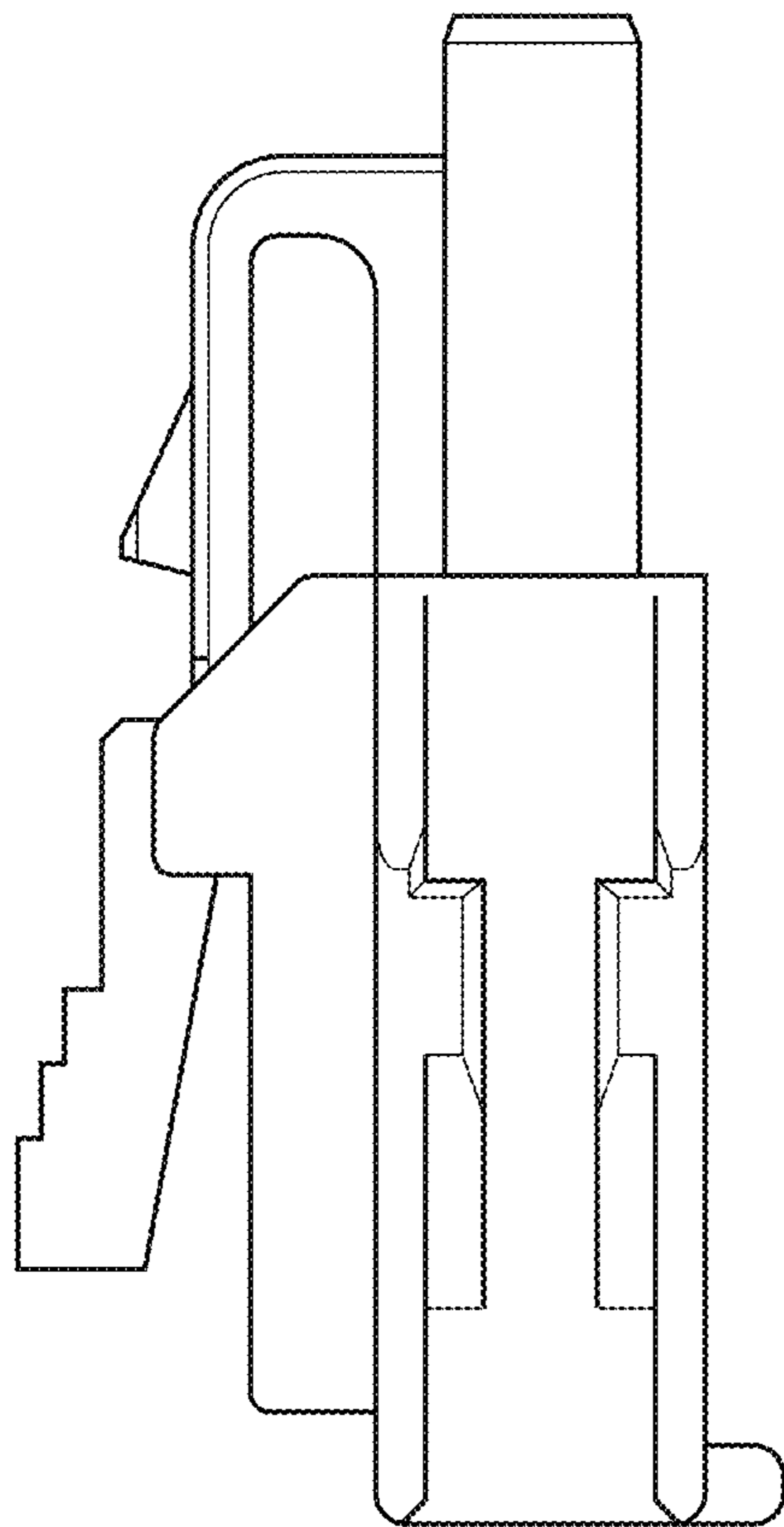


FIG. 24

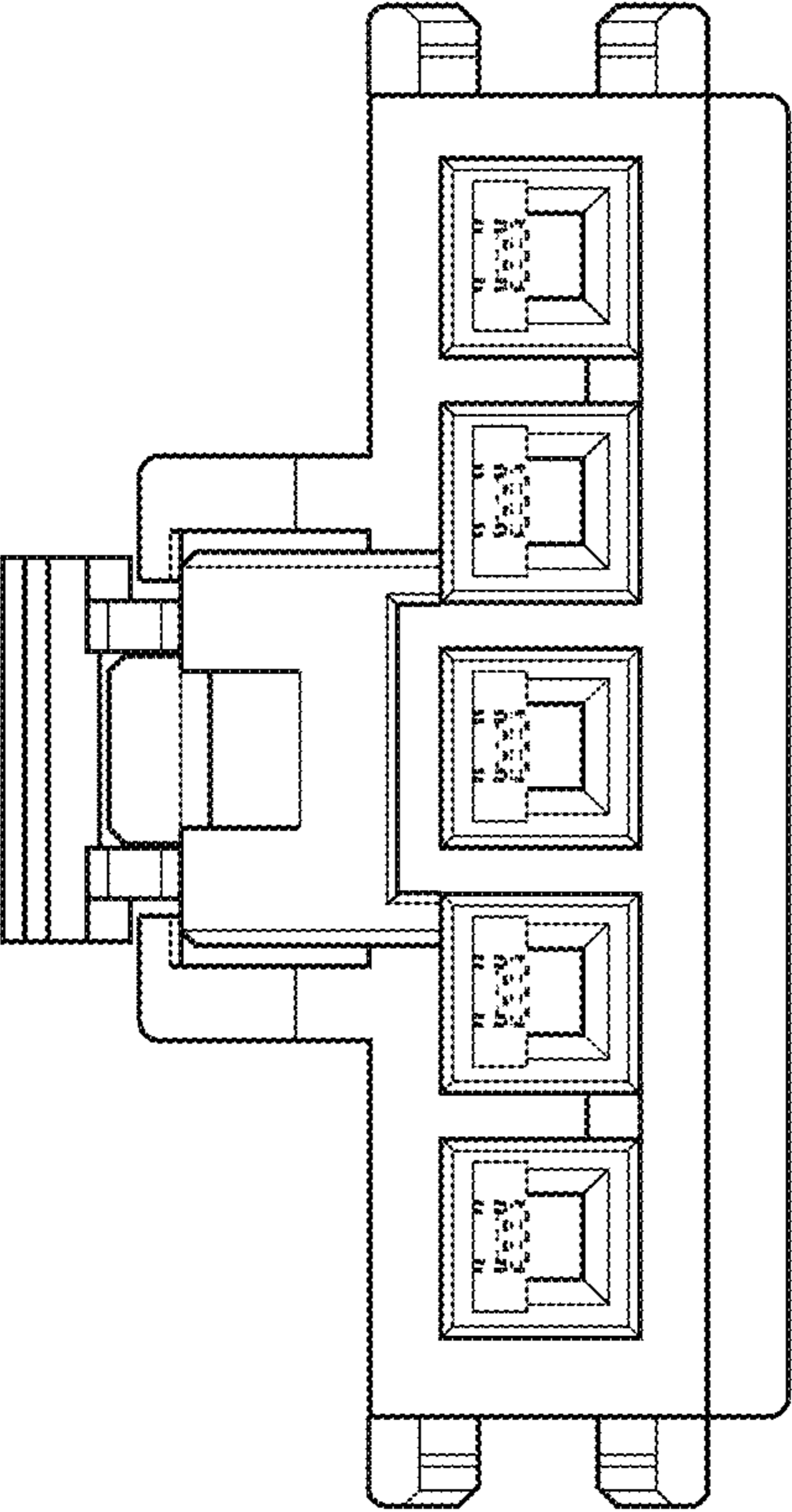


FIG. 25

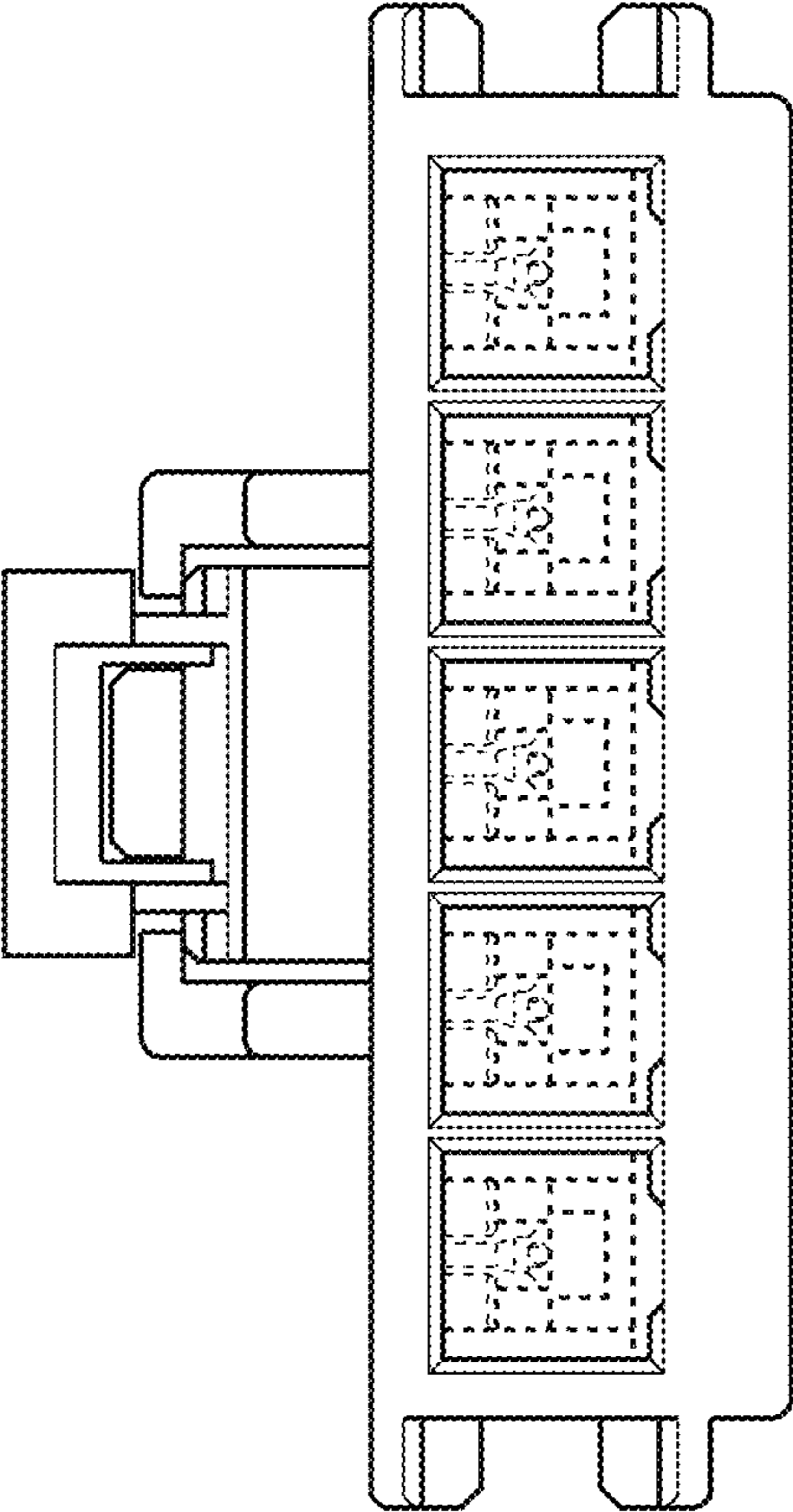


FIG. 26

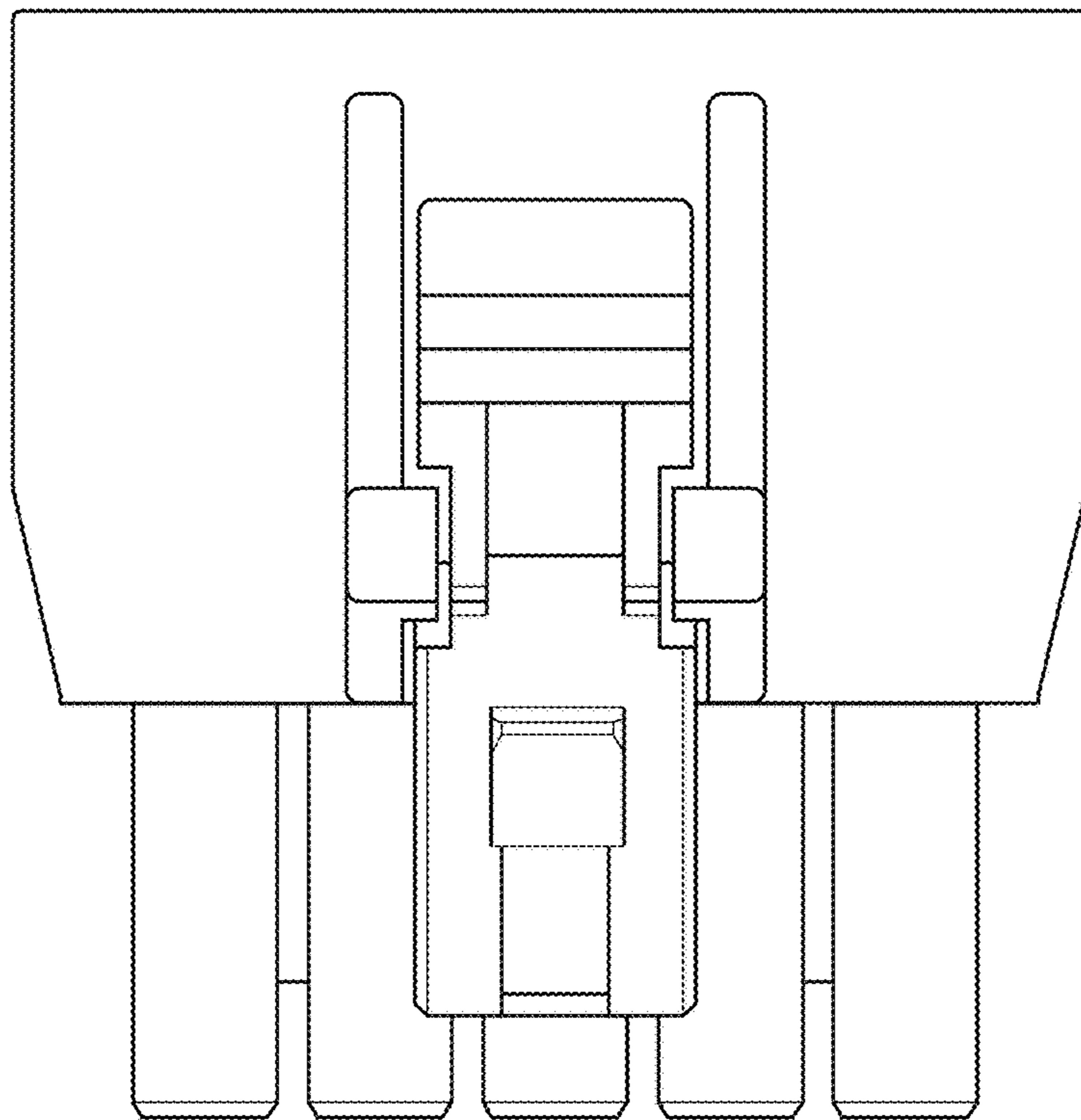


FIG. 27

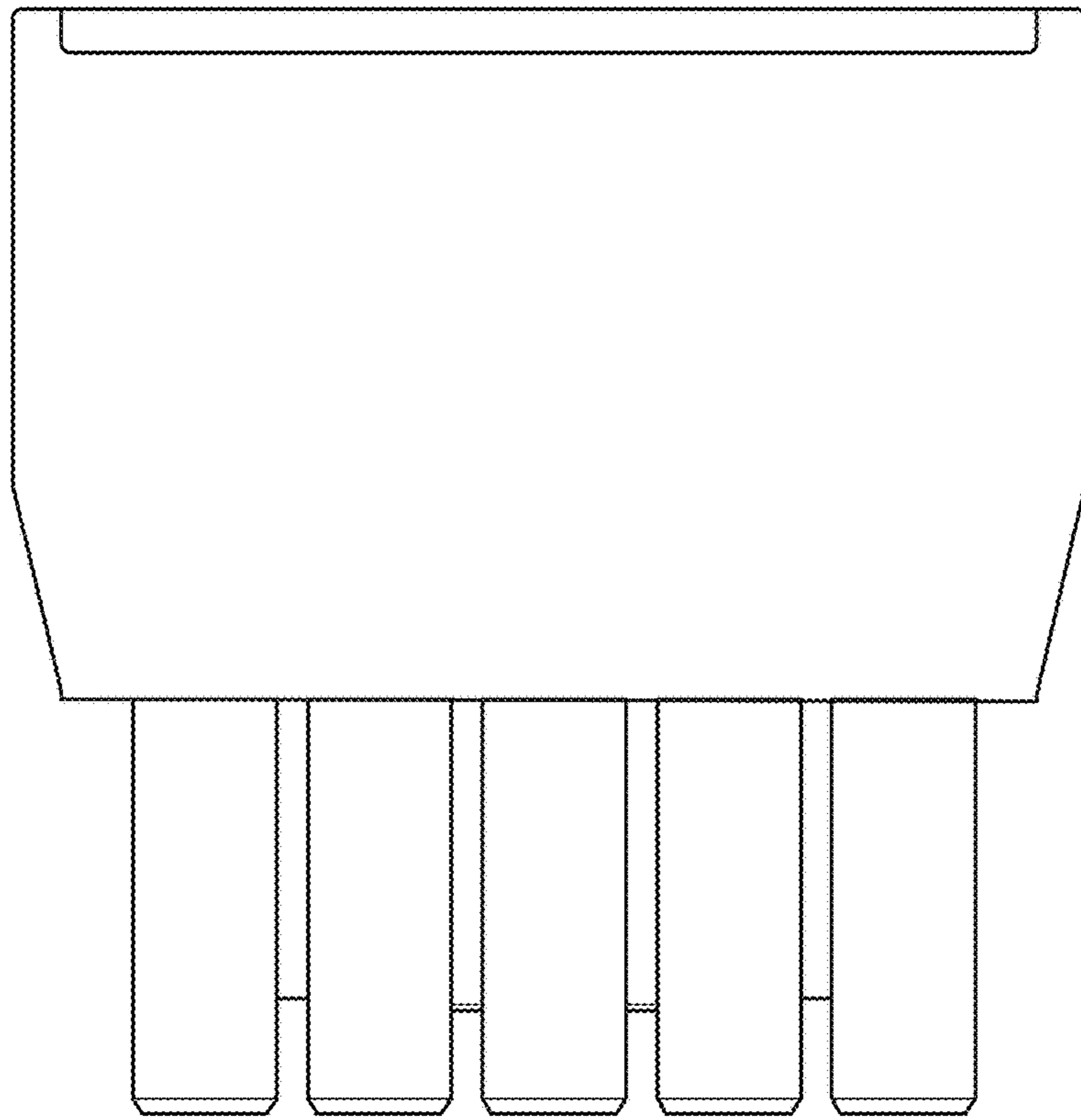


FIG. 28

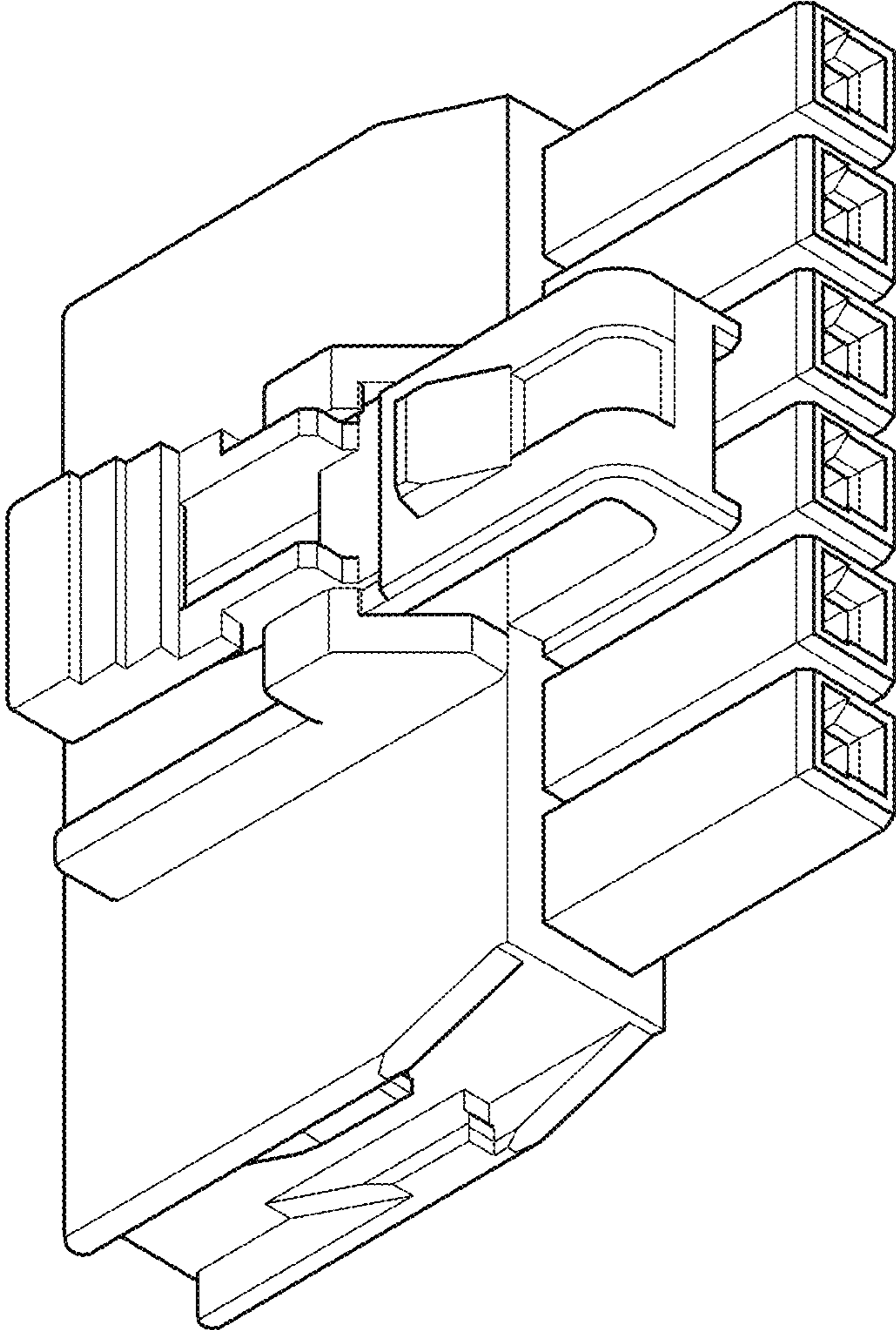


FIG. 29

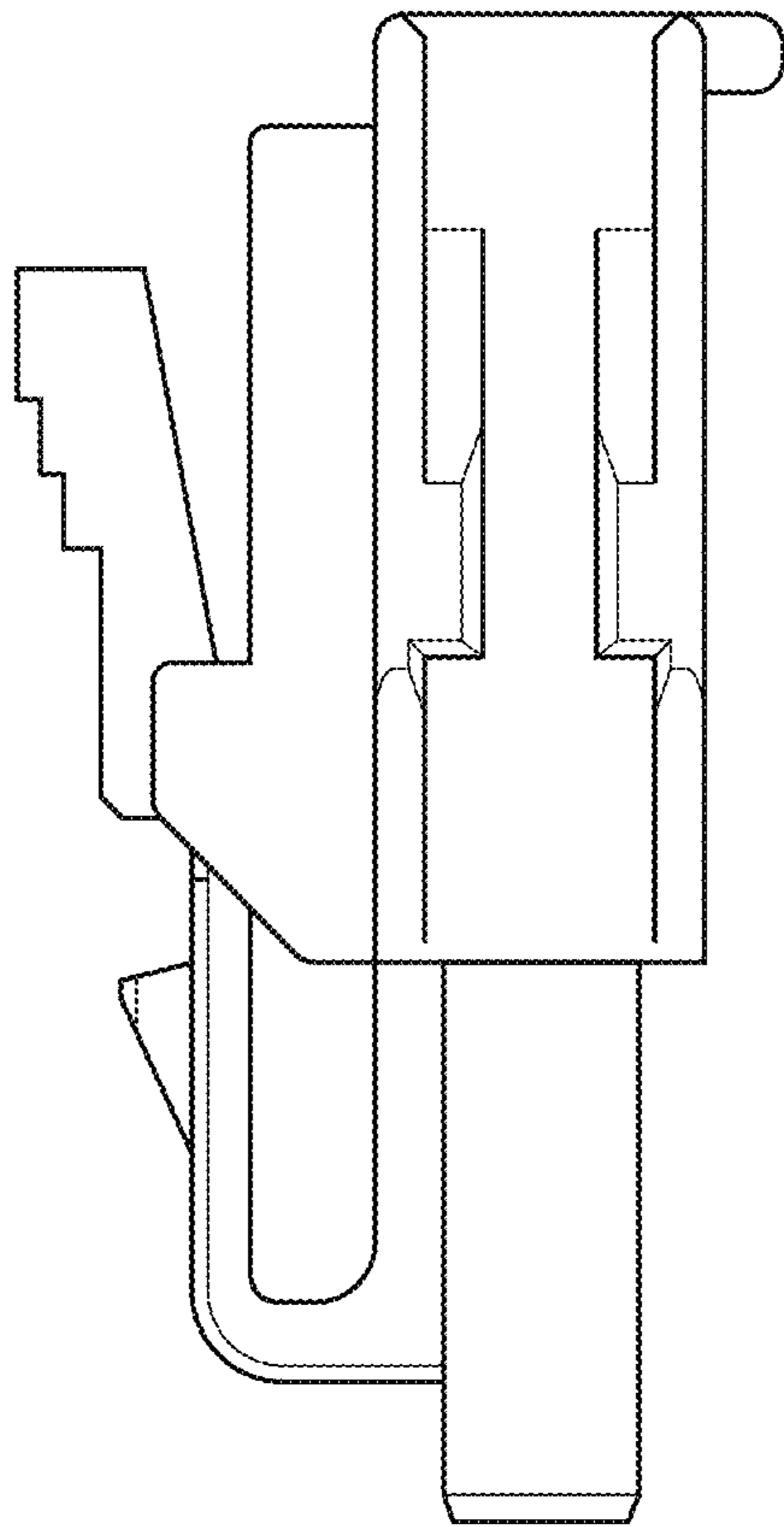


FIG. 30

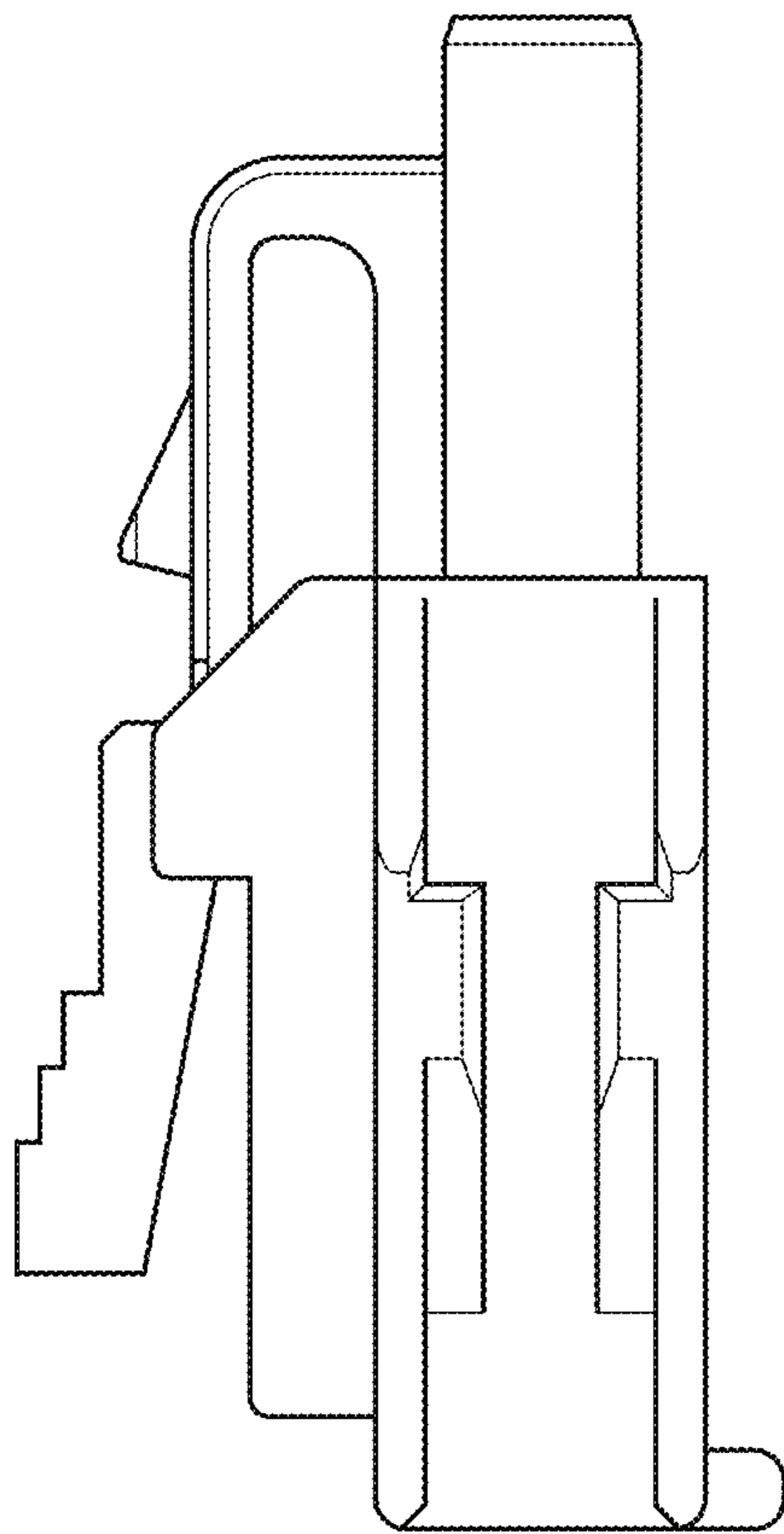


FIG. 31

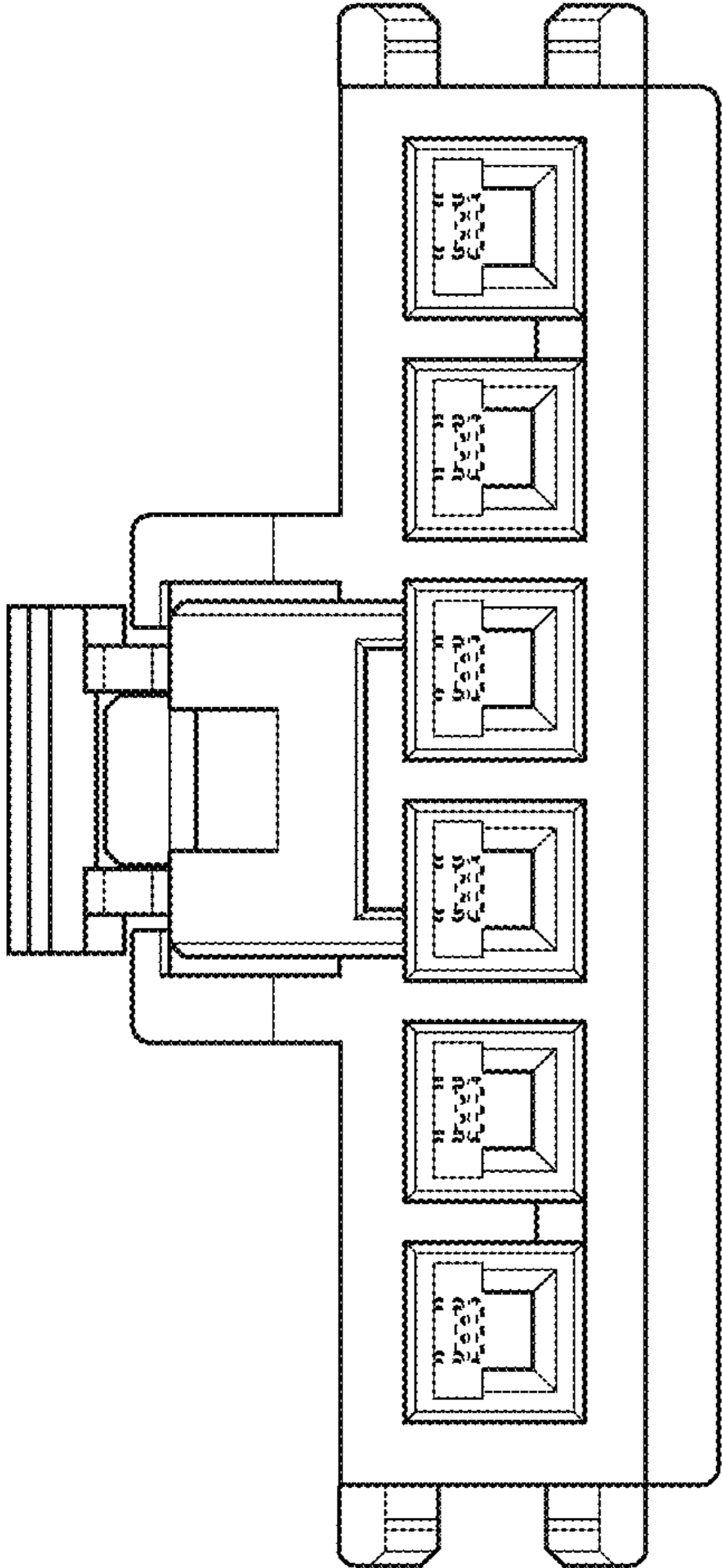


FIG. 32

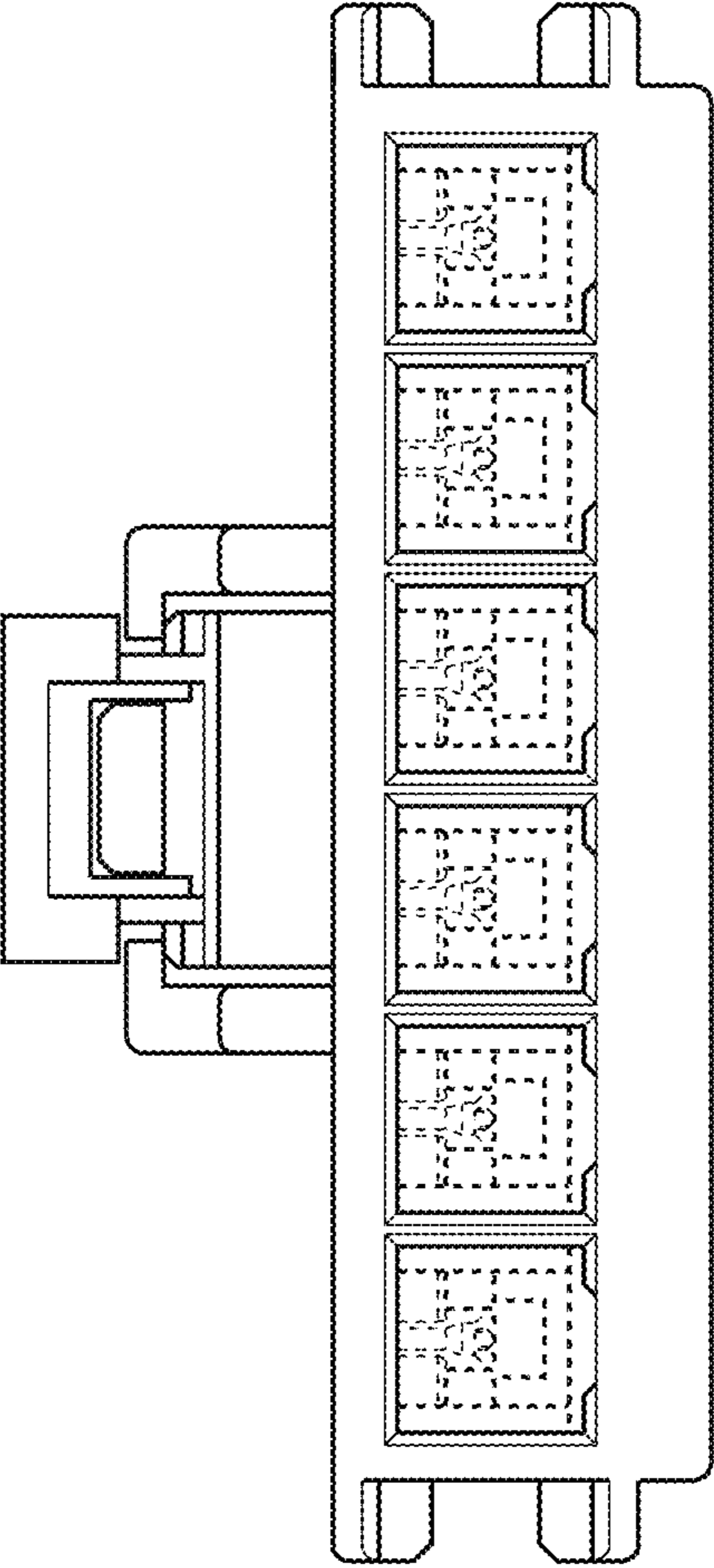


FIG. 33

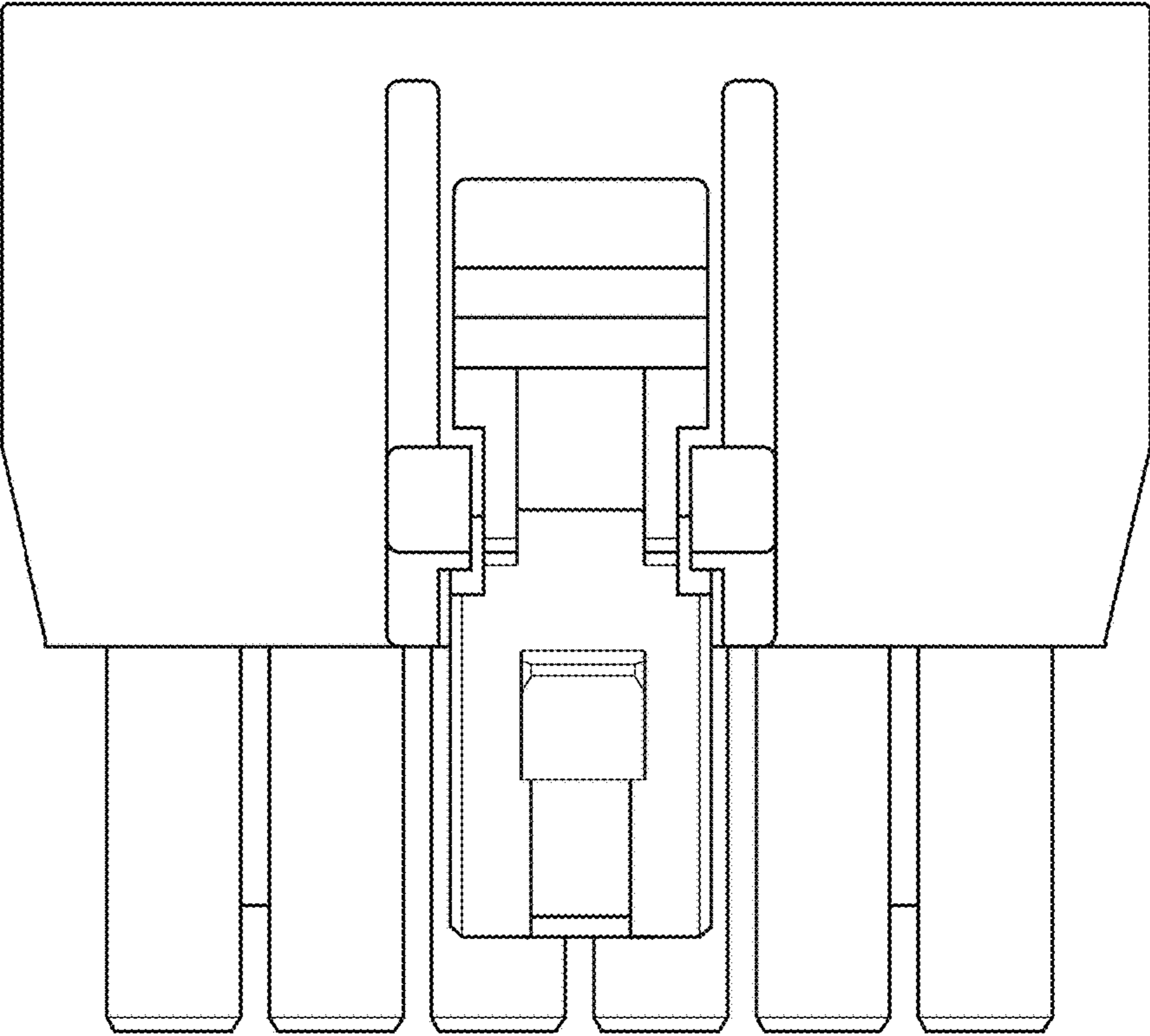


FIG. 34

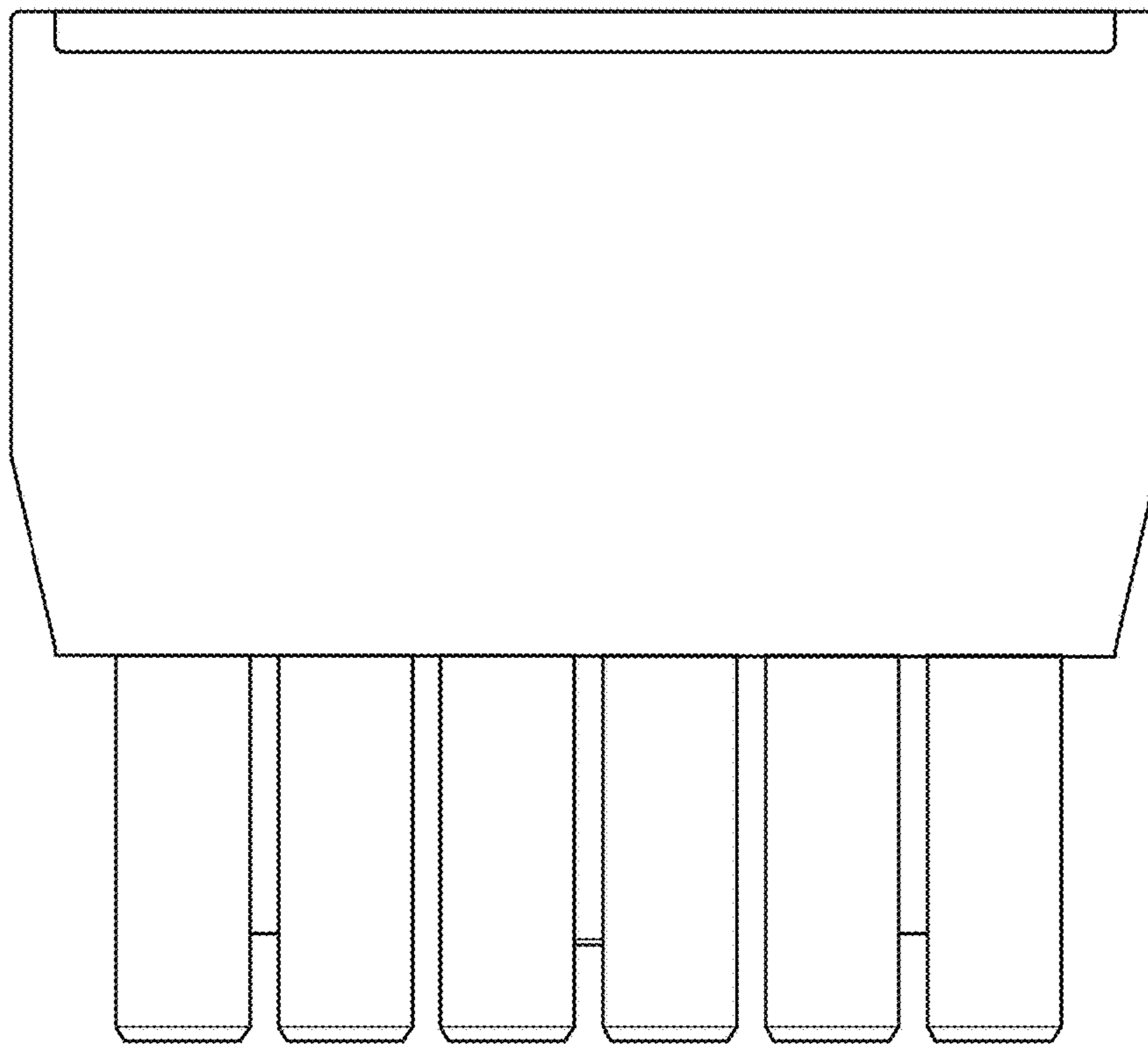


FIG. 35

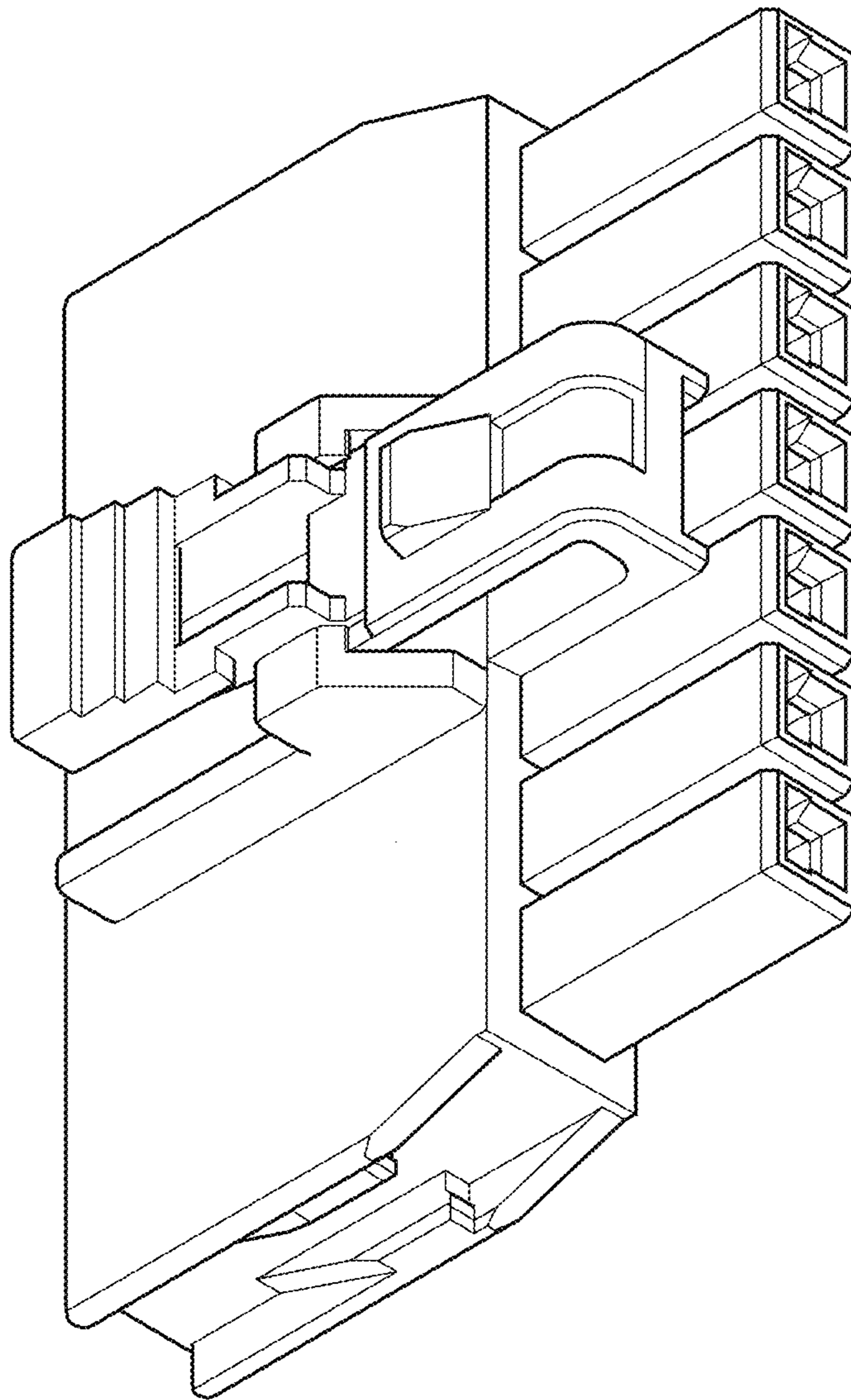


FIG. 36

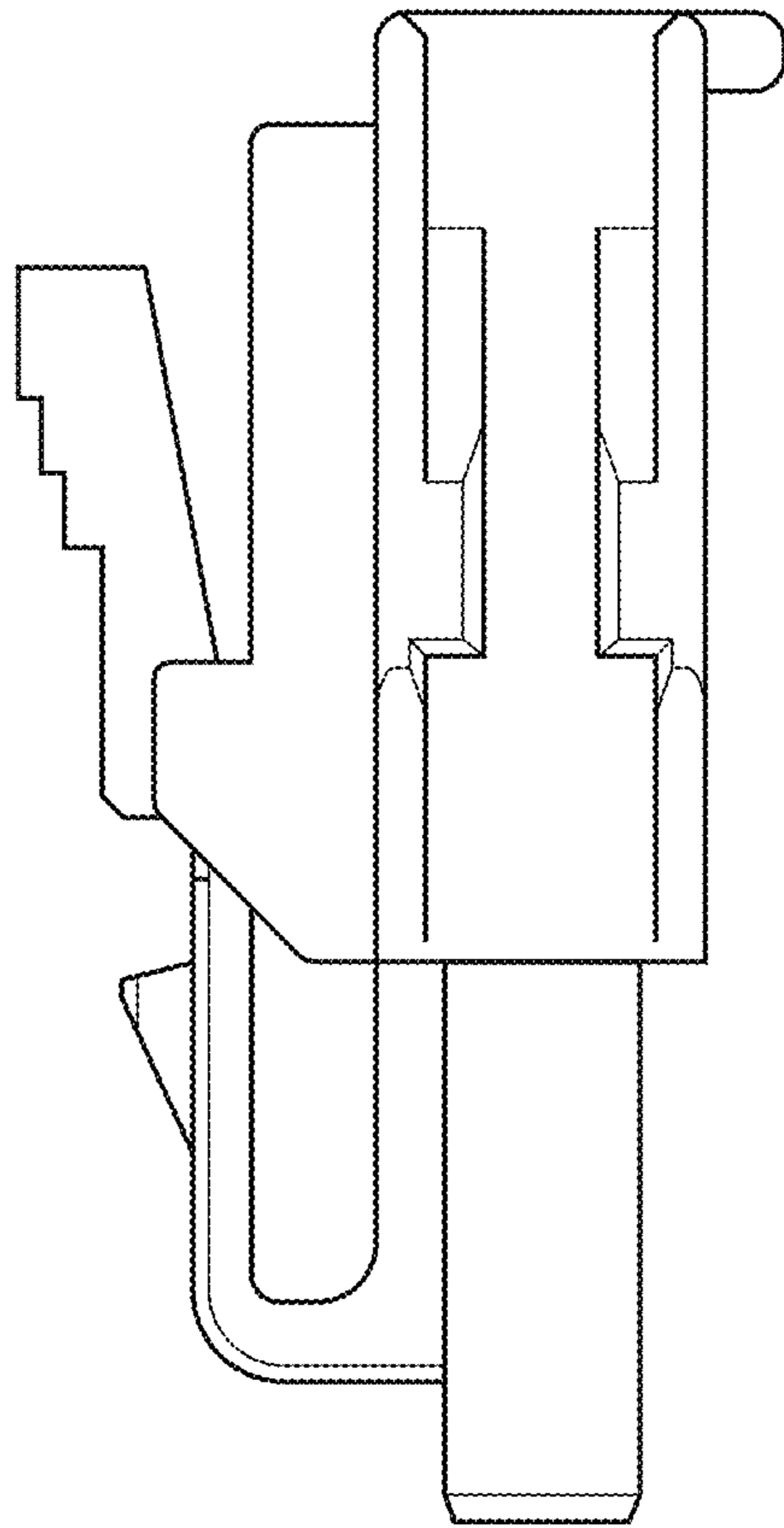


FIG. 37

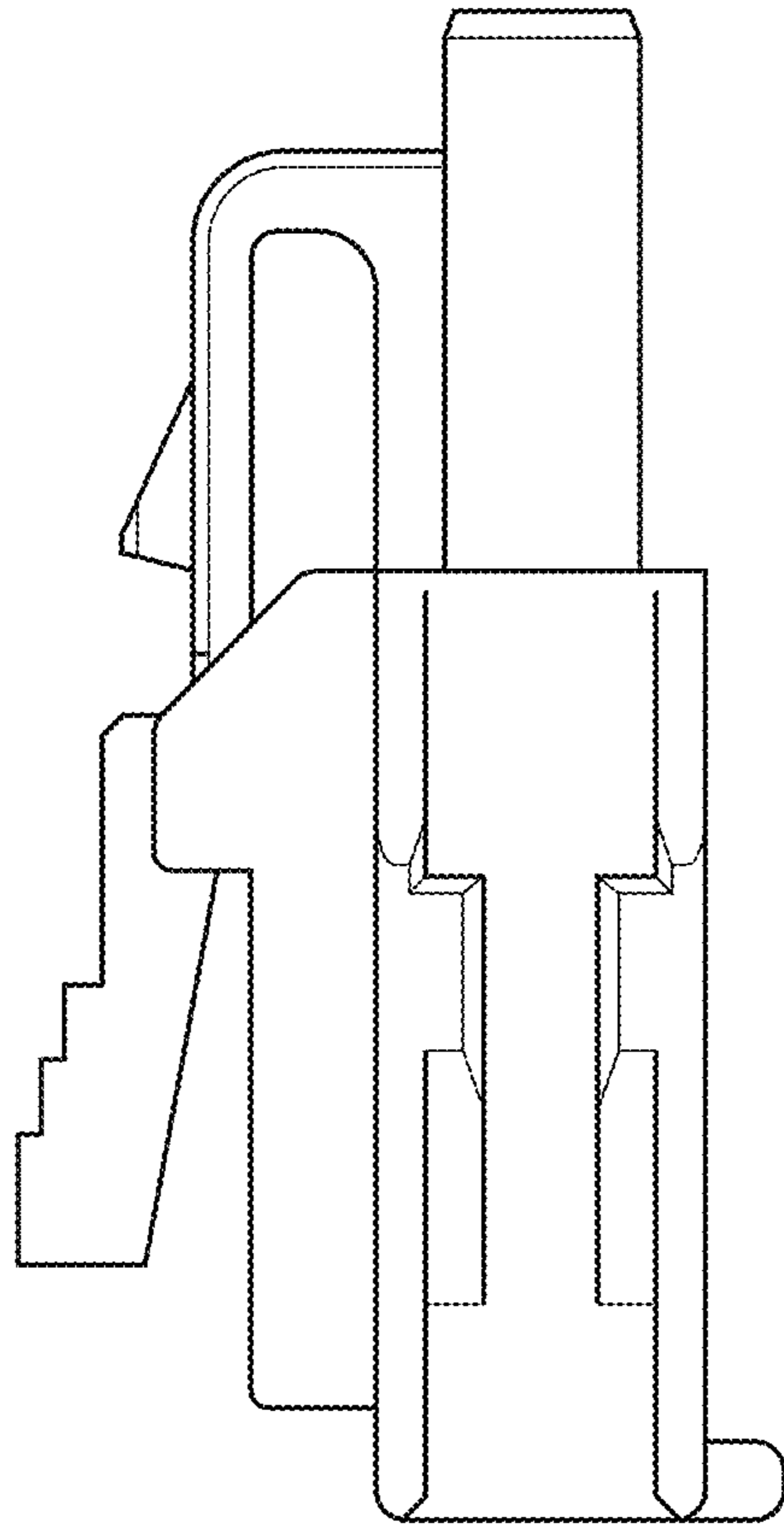


FIG. 38

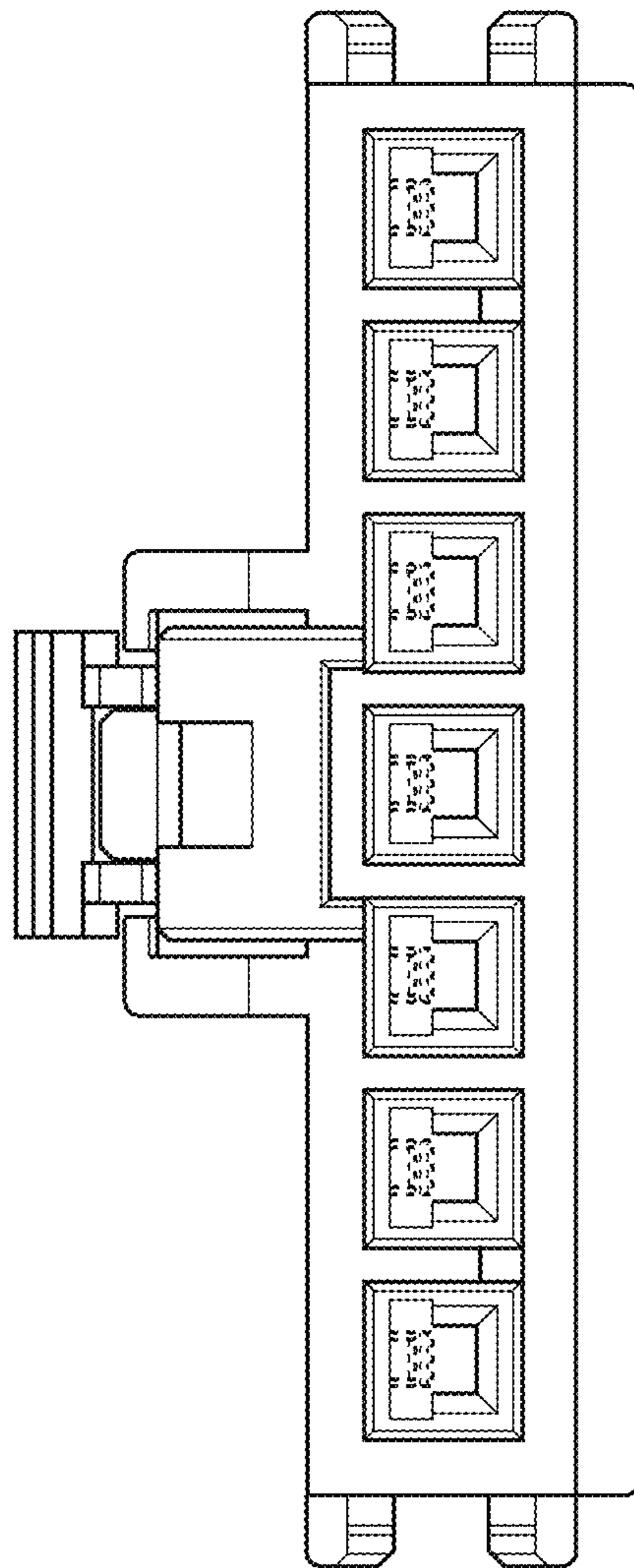


FIG. 39

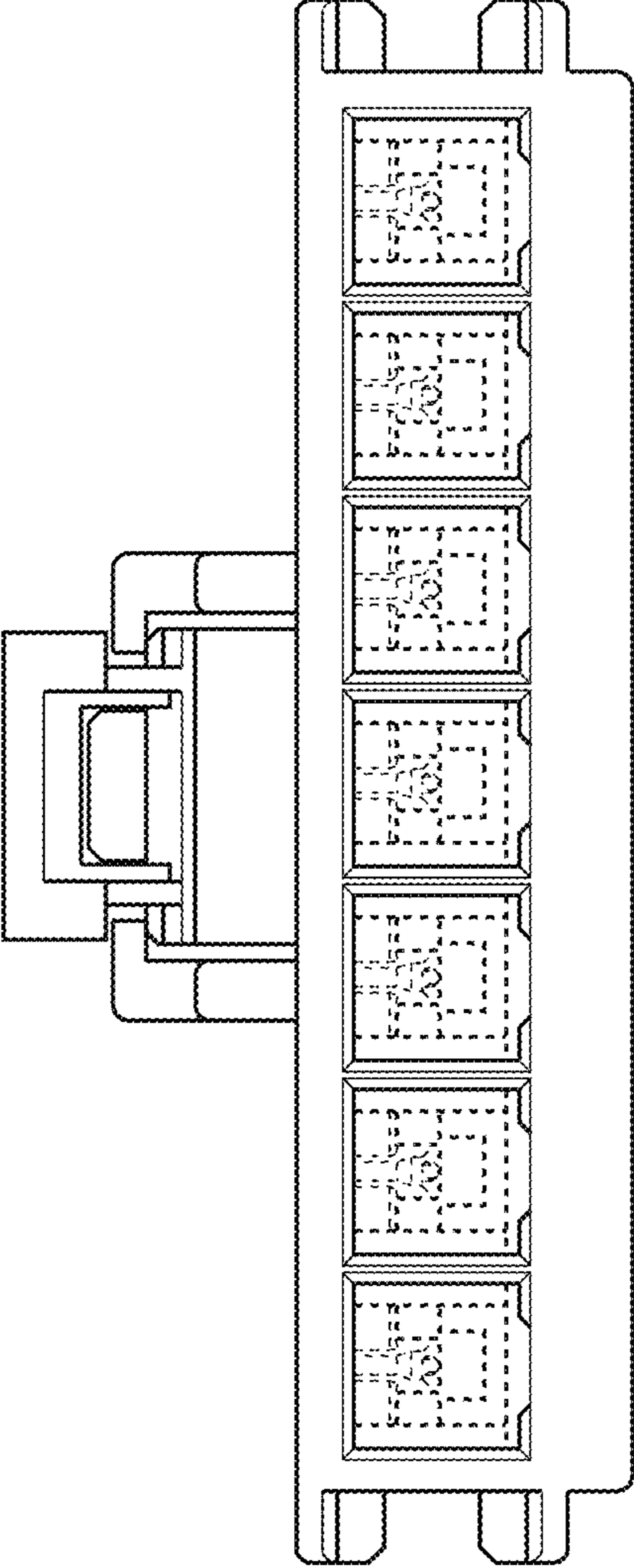


FIG. 40

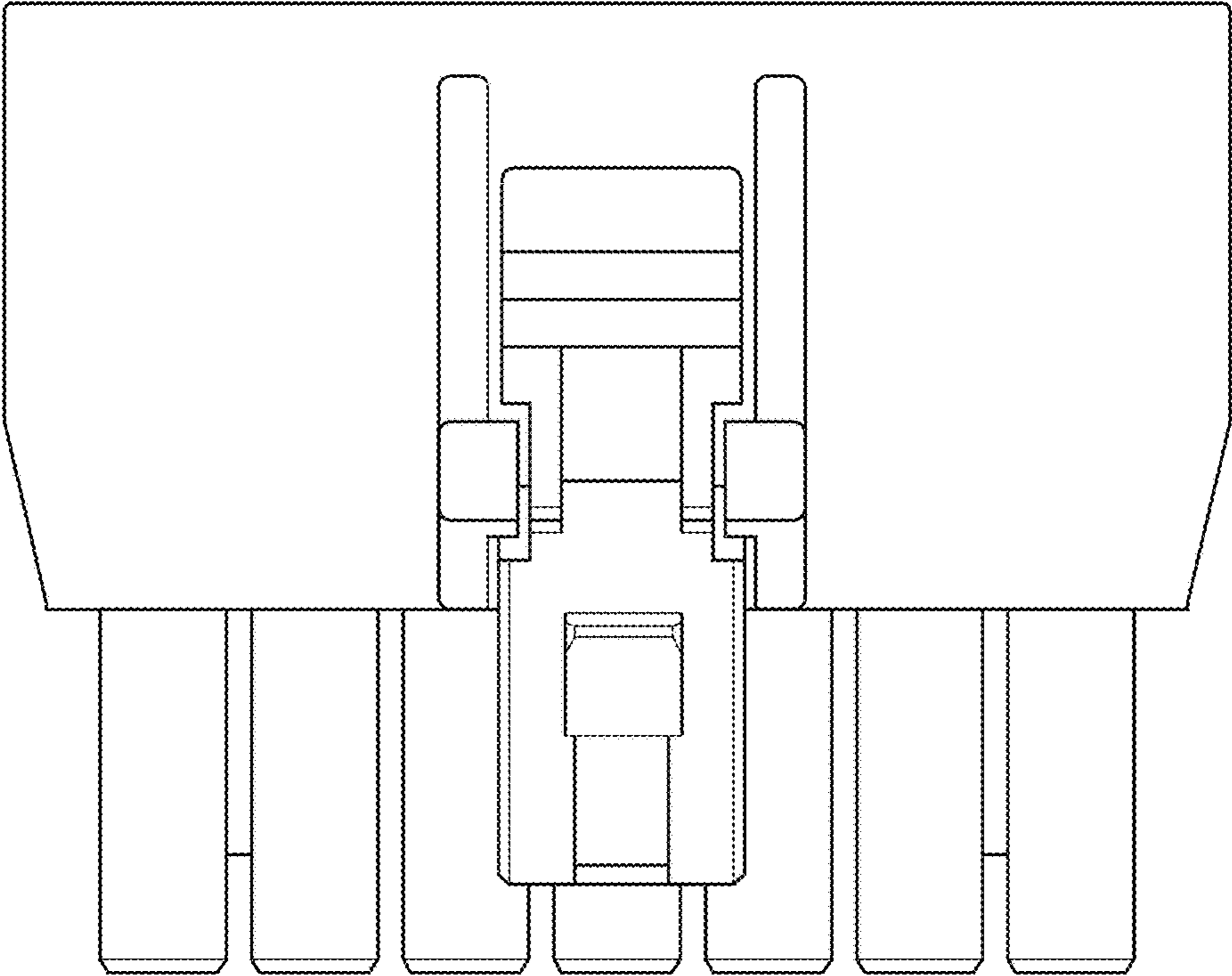


FIG. 41

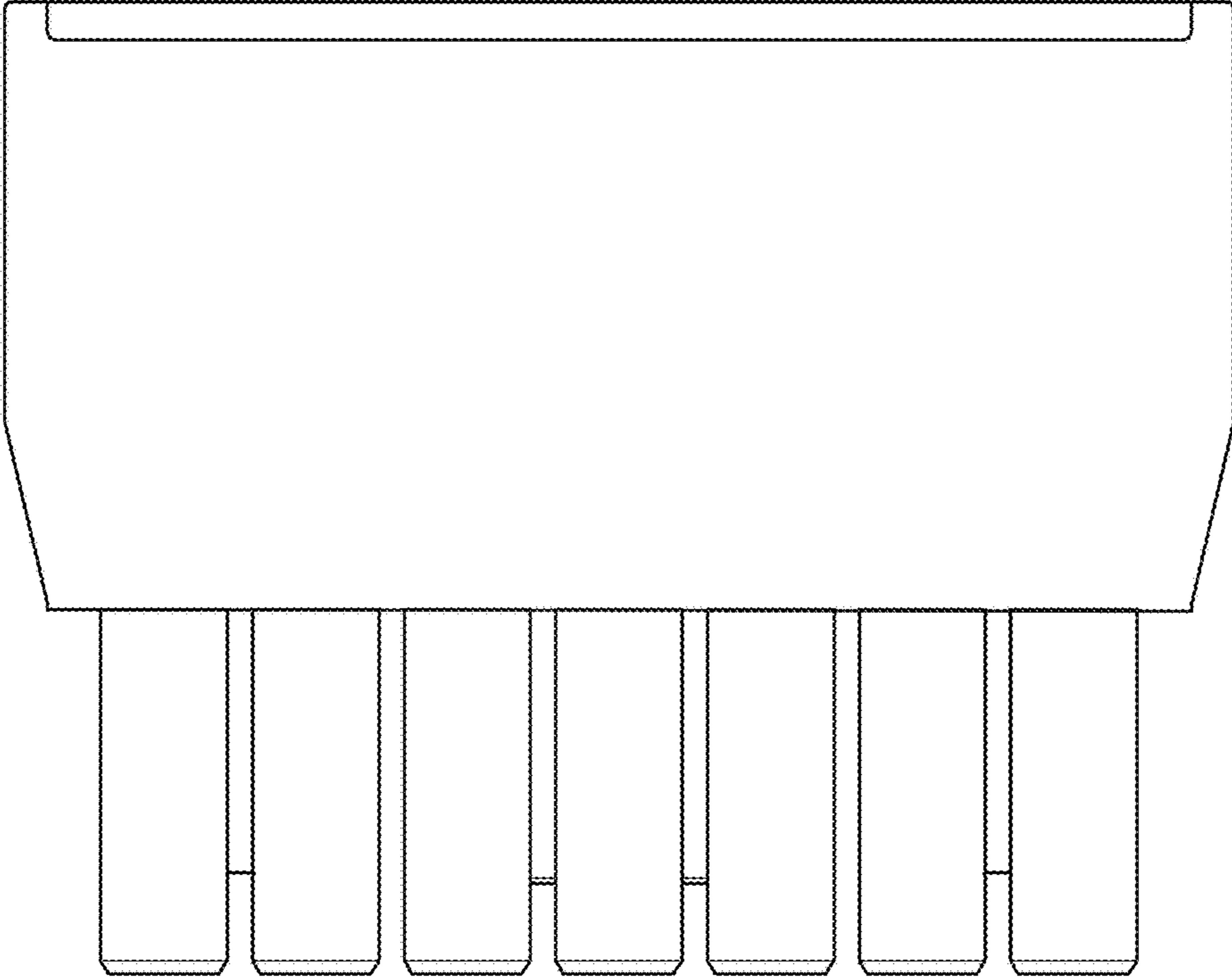


FIG. 42

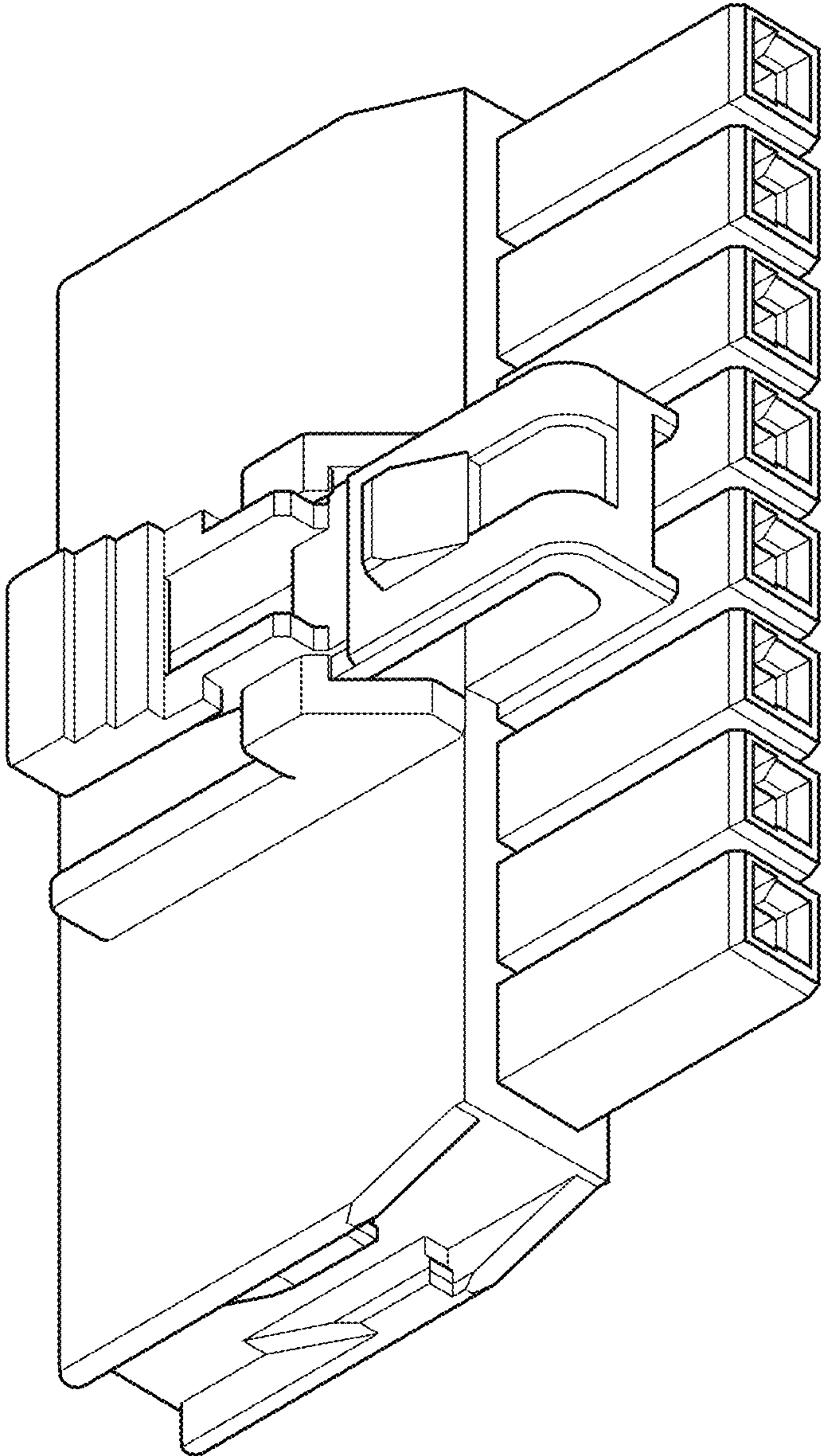


FIG. 43

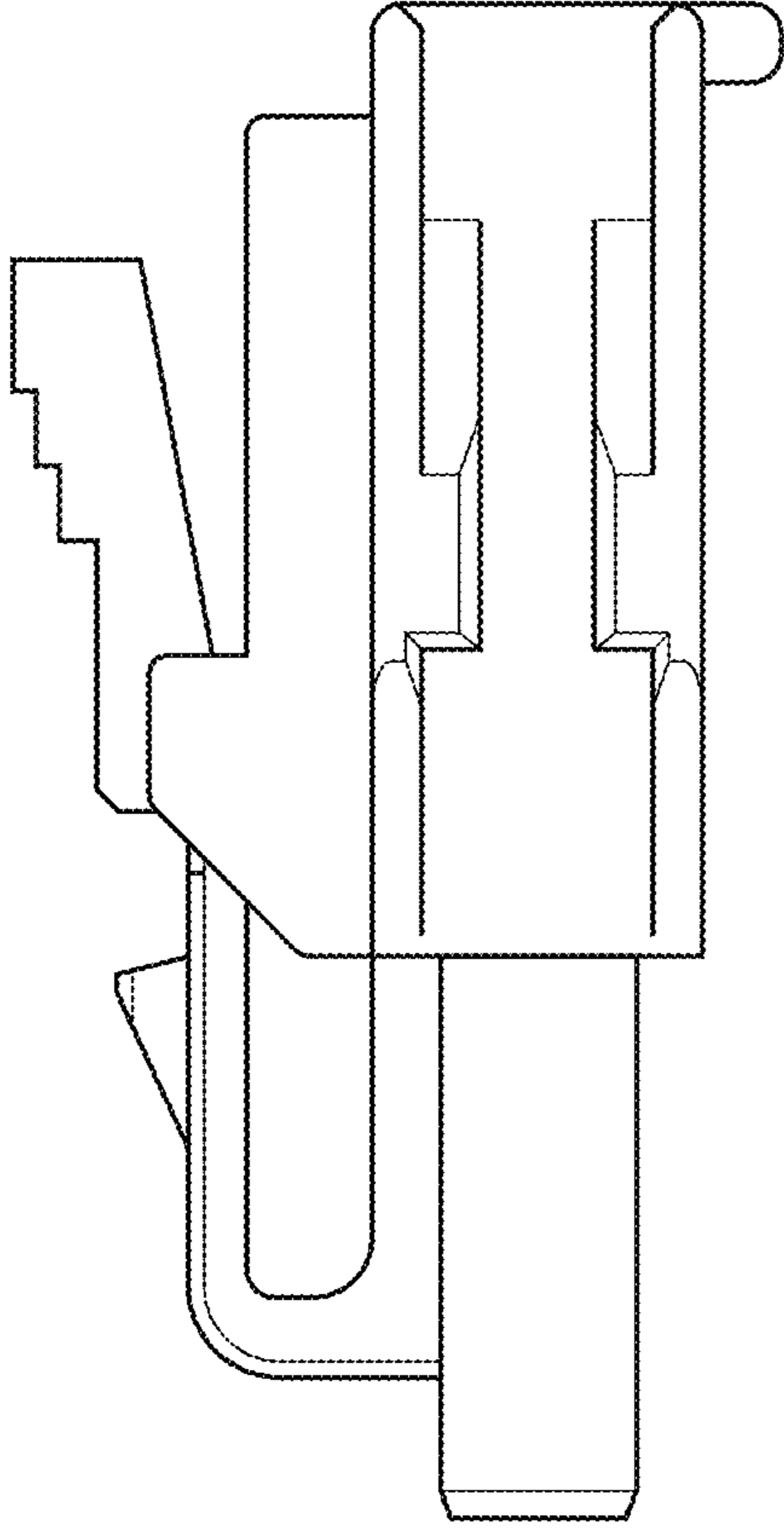


FIG. 44

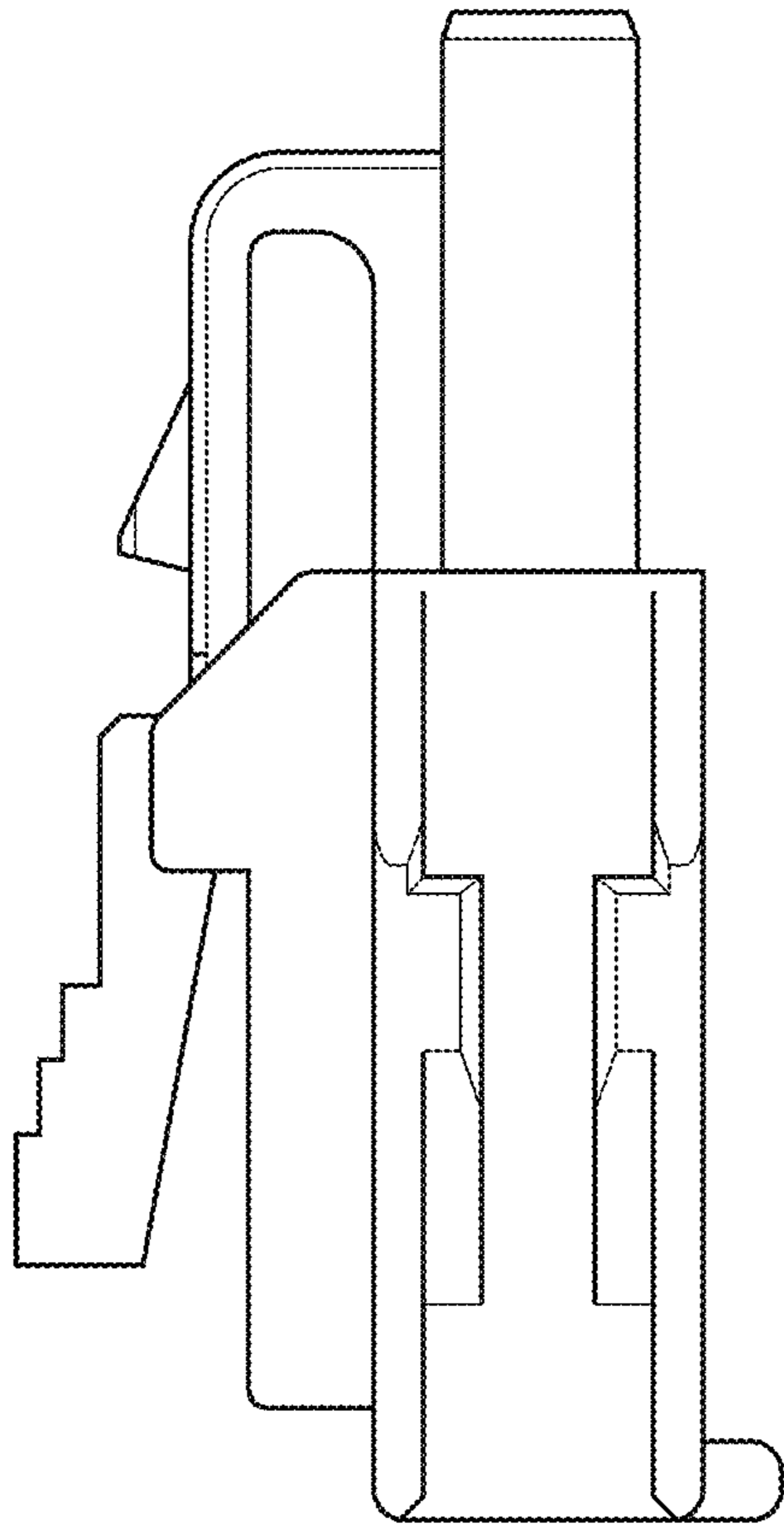


FIG. 45

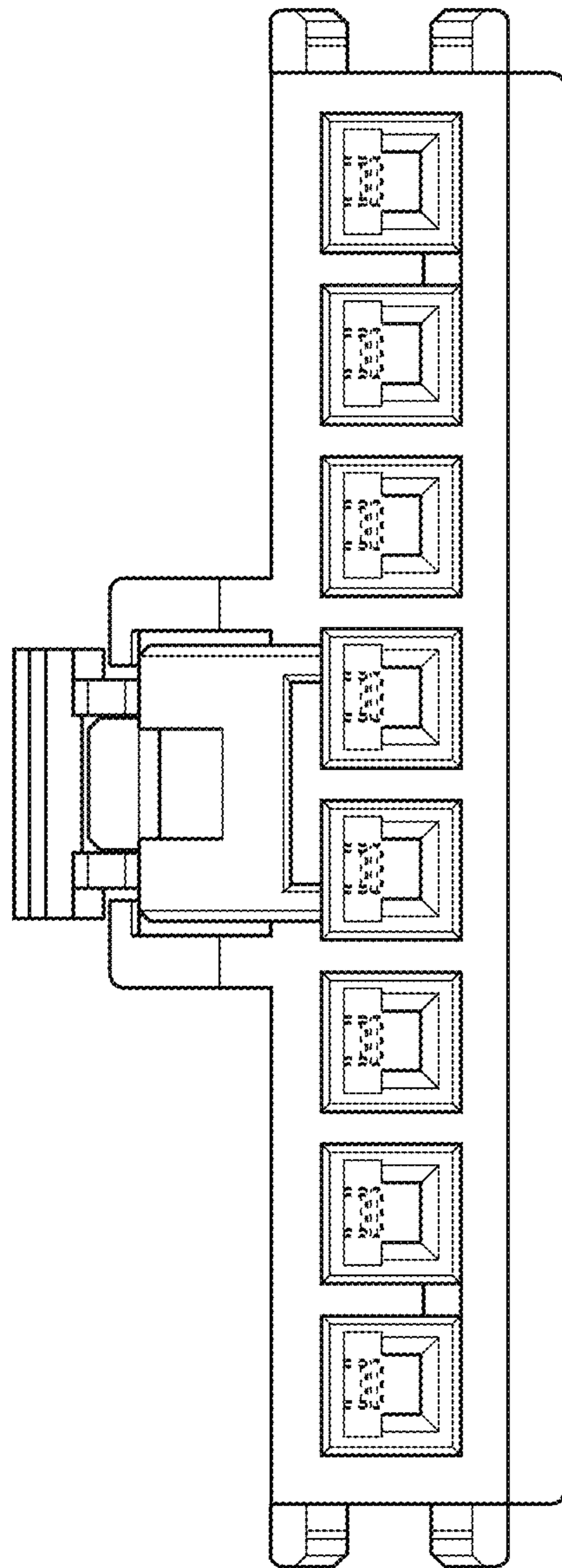


FIG. 46

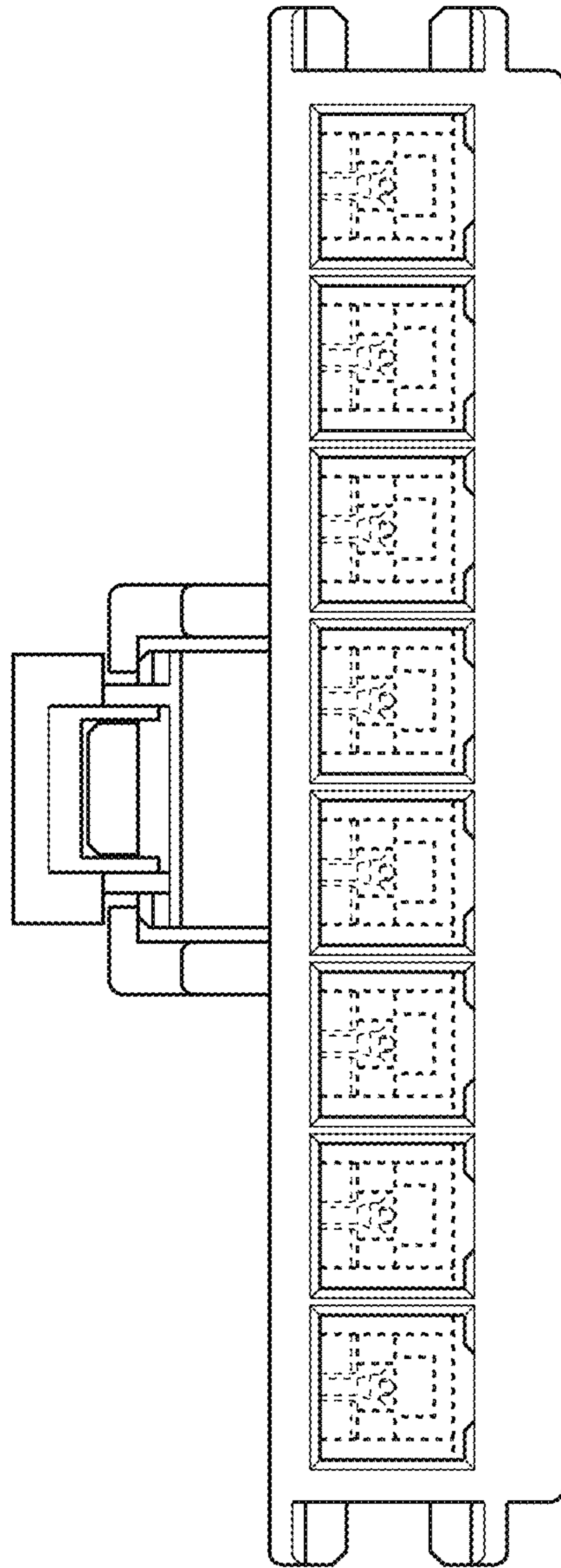


FIG. 47

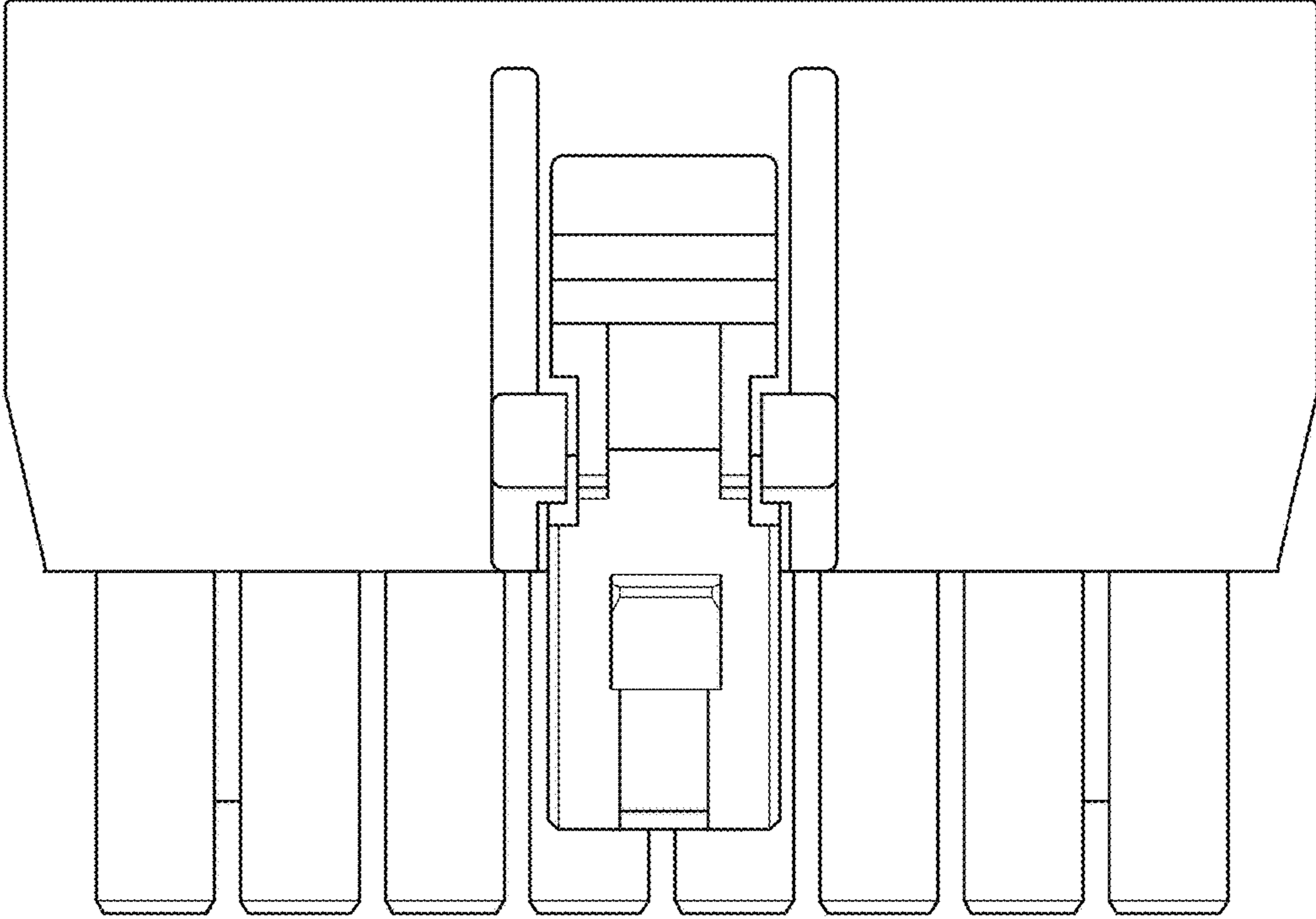


FIG. 48

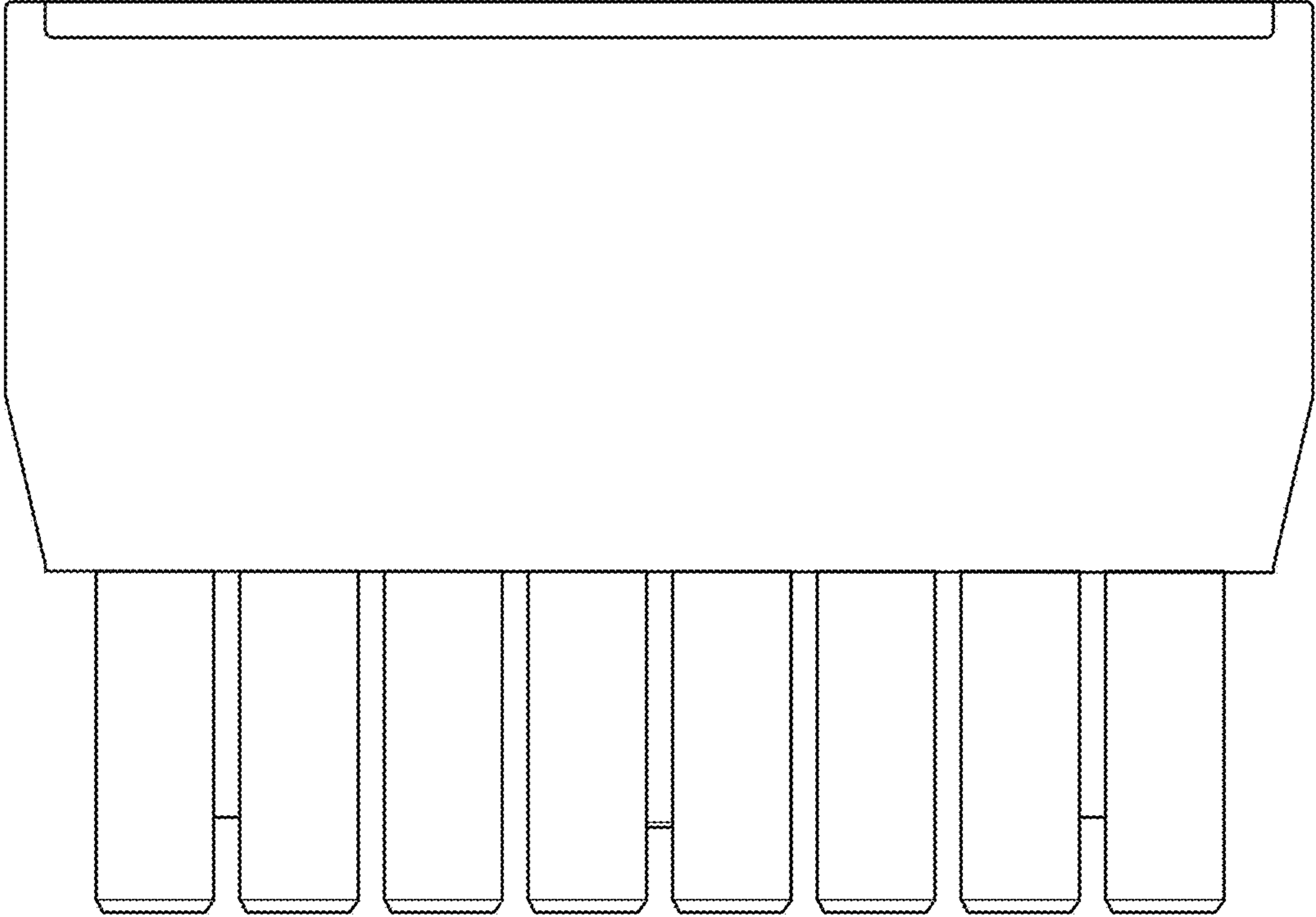


FIG. 49