



US00D801275S

(12) **United States Design Patent** (10) **Patent No.:** **US D801,275 S**
Lee (45) **Date of Patent:** **** *Oct. 31, 2017**

(54) **POWER CORD OUTLET**
(71) Applicant: **Seung Sang Lee**, Los Angeles, CA (US)
(72) Inventor: **Seung Sang Lee**, Los Angeles, CA (US)
(*) Notice: This patent is subject to a terminal disclaimer.
(**) Term: **14 Years**
(21) Appl. No.: **29/514,403**
(22) Filed: **Jan. 12, 2015**
(51) **LOC (10) Cl.** **13-03**
(52) **U.S. Cl.**
USPC **D13/139.2**
(58) **Field of Classification Search**
USPC D13/139.1-139.8, 137.1-137.4, 152-154, D13/110, 138.1, 108, 107, 147, 156; 174/53; 439/107, 108
CPC H01R 13/652; H01R 23/688; H02G 3/18
See application file for complete search history.

(56) **References Cited**
U.S. PATENT DOCUMENTS
6,492,591 B1 * 12/2002 Metcalf 174/53
D568,817 S * 5/2008 Yu D13/139.7
D573,952 S * 7/2008 Schwartz D13/139.1
D619,535 S * 7/2010 Shi D13/137.2
D622,219 S * 8/2010 Byrne D13/147
D651,974 S * 1/2012 Benedetti D13/137.2
D673,912 S * 1/2013 Benedetti D13/137.2
D679,256 S * 4/2013 Ericksen et al. D13/156
D680,953 S * 4/2013 Kuo D13/137.2
D693,305 S * 11/2013 Kuo et al. D13/137.2
D694,706 S * 12/2013 Kuo D13/108

D694,713 S * 12/2013 Yeo et al. D13/138.1
D695,693 S * 12/2013 Lee et al. D13/152
D700,892 S * 3/2014 Segnit D13/137.2
D702,640 S * 4/2014 Restrepo et al. D13/139.1
D703,139 S * 4/2014 Dodal et al. D13/139.1
8,696,368 B2 * 4/2014 Quezada 439/108
D705,170 S * 5/2014 Diehl et al. D13/137.1
8,758,031 B2 * 6/2014 Cheng et al. 439/107
D715,740 S * 10/2014 Byrne et al. D13/139.4
D716,232 S * 10/2014 Byrne et al. D13/139.4
D721,653 S * 1/2015 Lee et al. D13/139.3

* cited by examiner
Primary Examiner — Holly Baynham
Assistant Examiner — Rhea Shields
(74) *Attorney, Agent, or Firm* — East West Law Group; Heedong Chae

(57) **CLAIM**
The ornamental design for a power cord outlet, as shown and described.

DESCRIPTION
FIG. 1 is a front perspective view of a power cord outlet mounted on a merchandiser rack showing my new design; FIG. 2 is a front elevational view thereof; FIG. 3 is a top plan view thereof; FIG. 4 is a bottom plan view thereof; FIG. 5 is an another perspective view thereof; FIG. 6 is a rear perspective view thereof; FIG. 7 is a cross sectional view of FIG. 1 taken along the lines 7; and, FIG. 8 is a close up view of the power cord outlet of FIG. 5, taken in circle 8.
In the drawings, the broken lines are for the purpose of illustrating environment only and form no part of the claimed design.

1 Claim, 7 Drawing Sheets

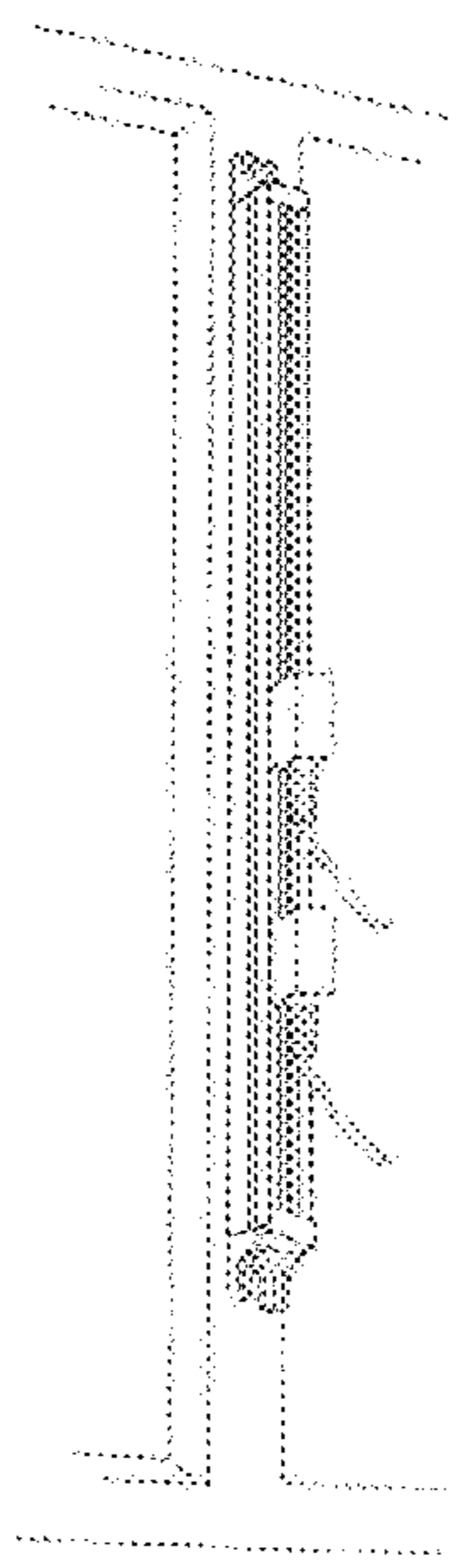


FIG. 1

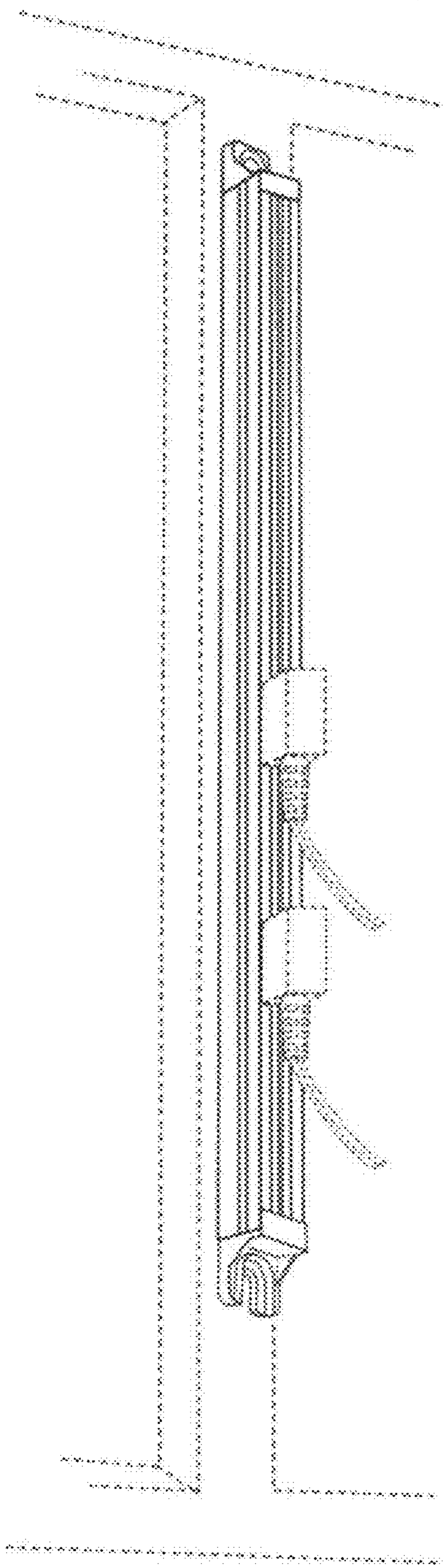


FIG. 2

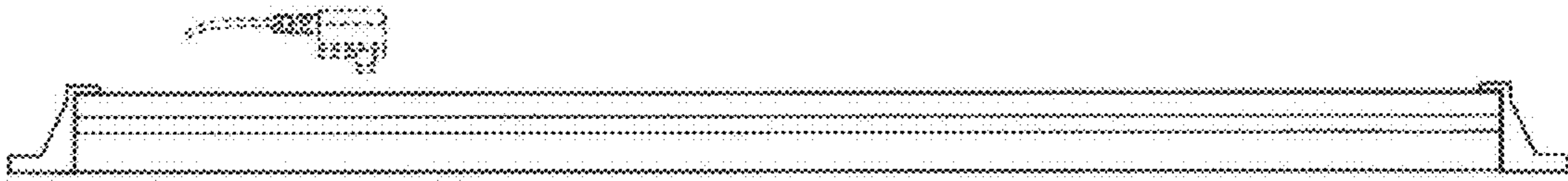


FIG. 3

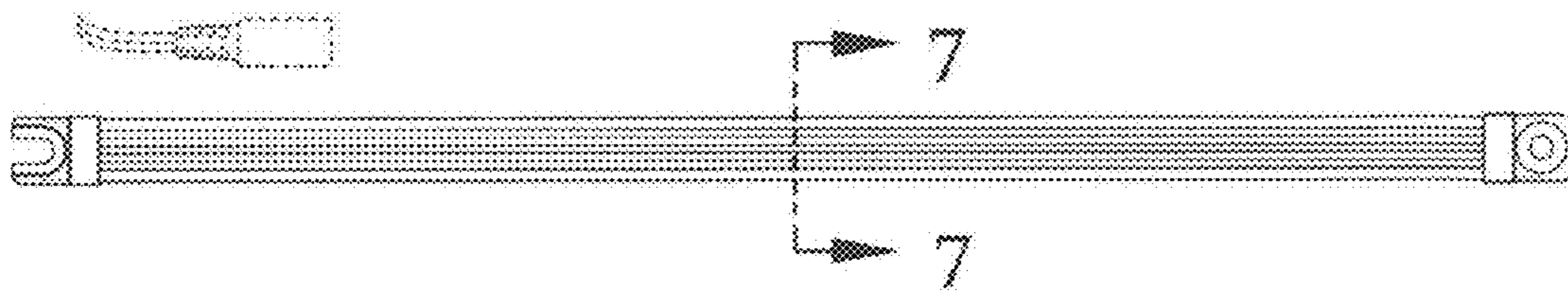


FIG. 4



FIG. 5

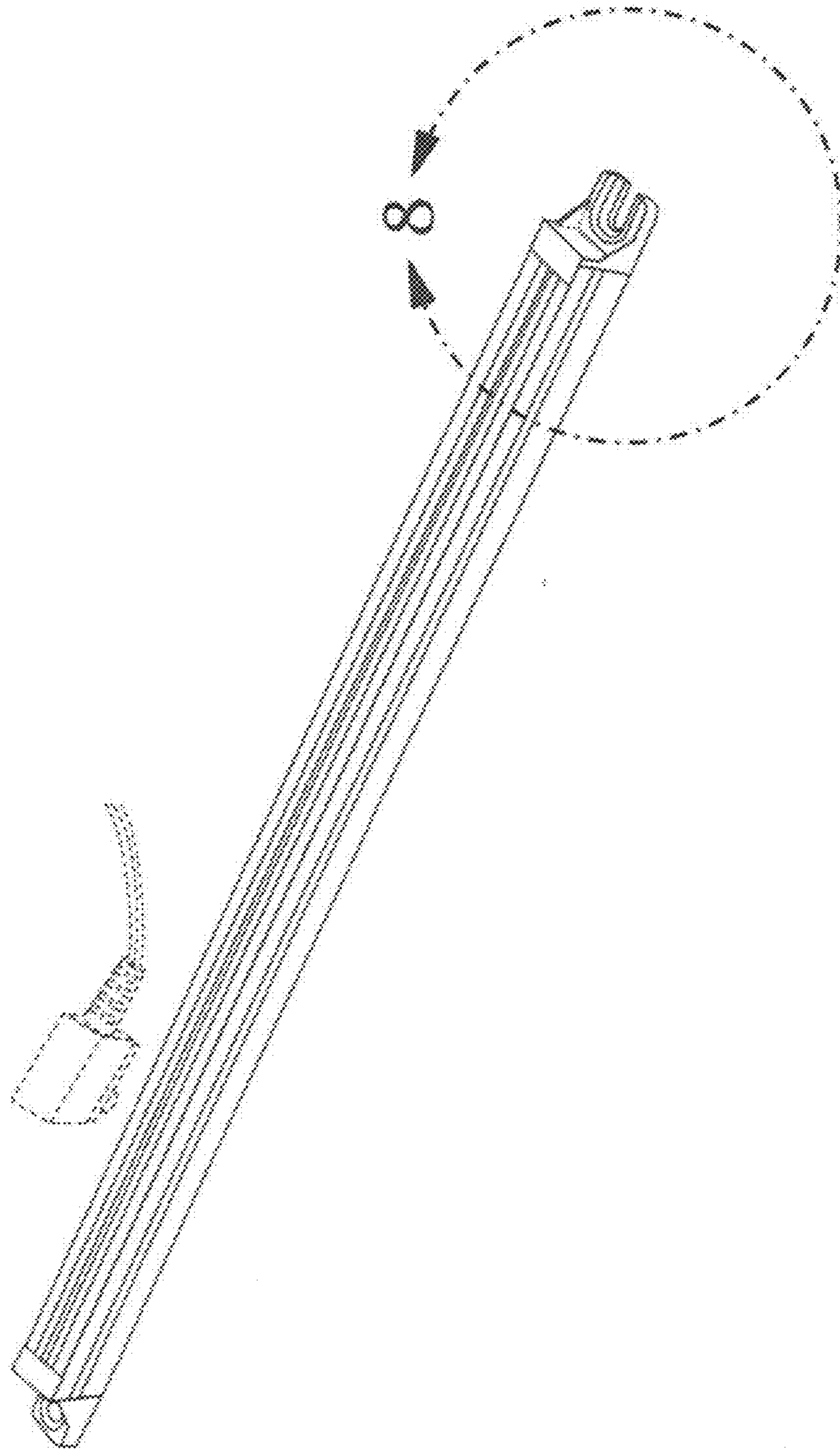


FIG. 6

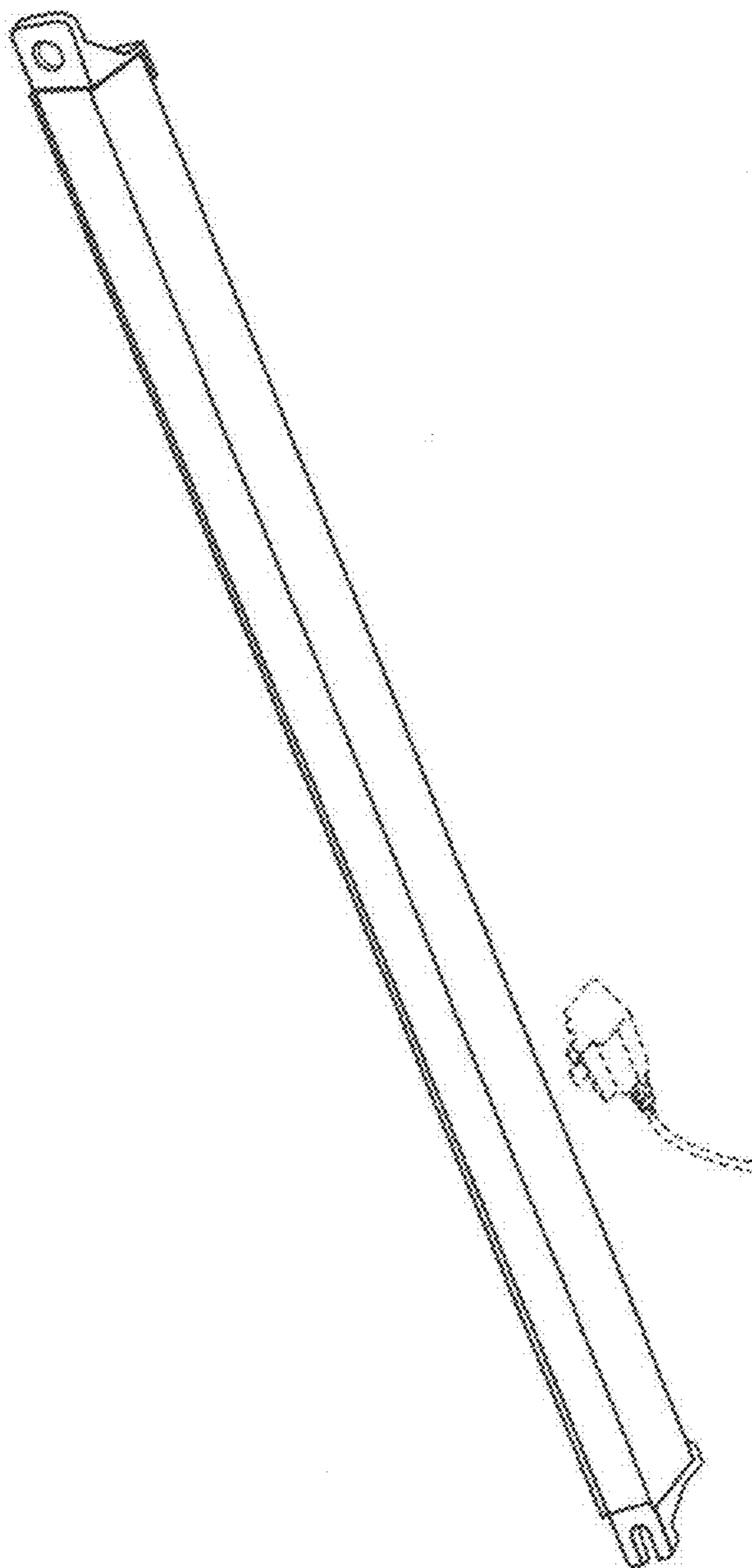


FIG. 7

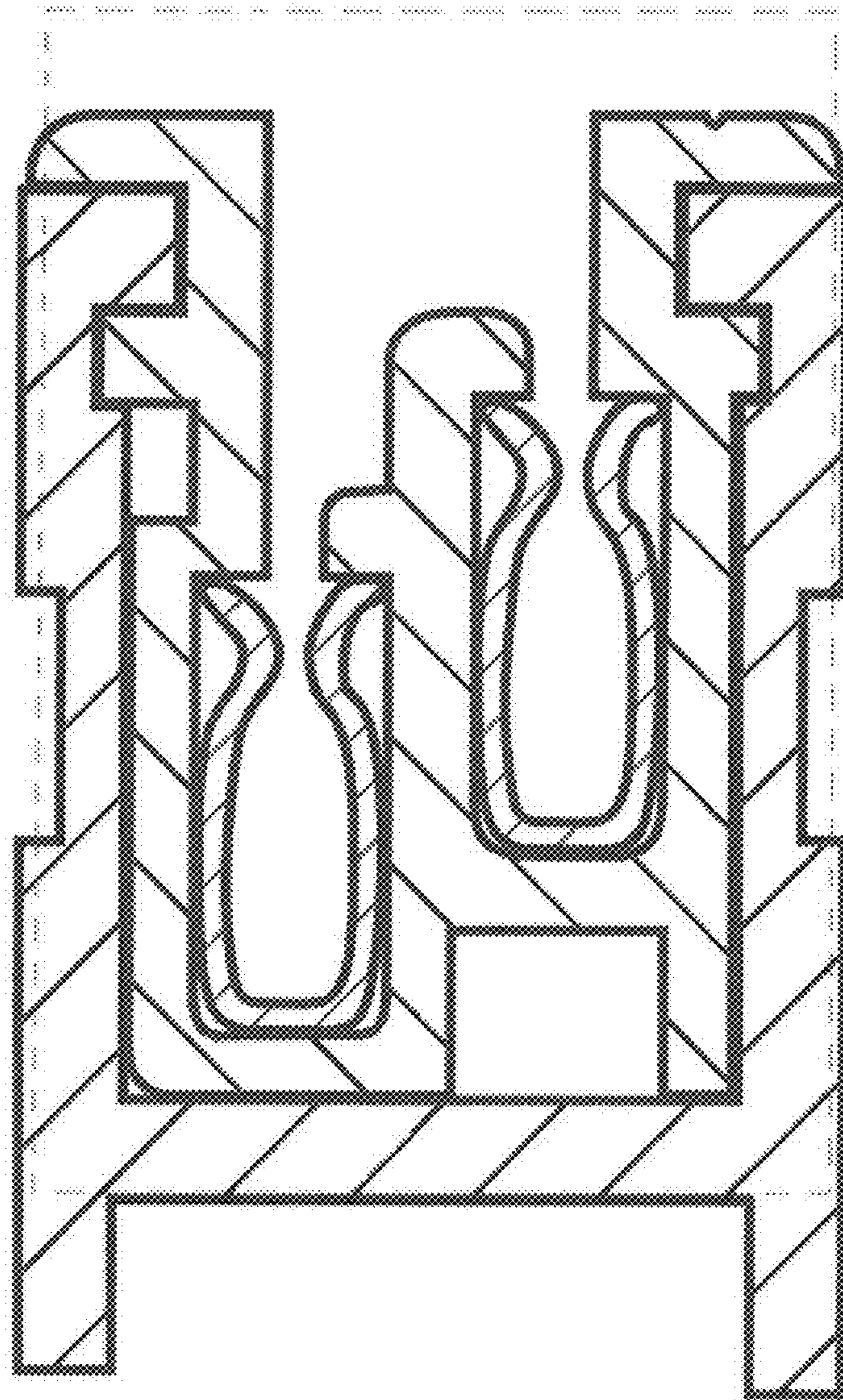


FIG. 8

