



US00D801274S

(12) **United States Design Patent**
Clark et al.

(10) **Patent No.:** **US D801,274 S**
(45) **Date of Patent:** **** Oct. 31, 2017**

(54) **PLUG KIT**
(71) Applicant: **Automatic Pool Cleaners (Australia) Pty Limited**, Auburn, New South Wales (AU)
(72) Inventors: **Gary Clark**, Auburn (AU); **Roy Halle**, Auburn (AU)
(73) Assignee: **Automatic Pool Cleaners (Australia) Pty Limited**, Auburn (AU)

(**) Term: **15 Years**

(21) Appl. No.: **29/532,180**

(22) Filed: **Jul. 2, 2015**

(30) **Foreign Application Priority Data**

Jan. 7, 2015 (AU) 201510047

(51) **LOC (10) Cl.** **13-03**

(52) **U.S. Cl.**
USPC **D13/137.4**

(58) **Field of Classification Search**
USPC D13/137.4, 110, 137.1, 108, 133, 138.2, D13/146; 439/675, 501; 361/111; 385/14; 224/902
CPC H01R 24/40; H01R 13/6625; G02B 6/30; H02J 7/0042; B65H 75/06
See application file for complete search history.

(56) **References Cited**

U.S. PATENT DOCUMENTS

3,715,708 A * 2/1973 Lloyd H01R 24/40
439/675
D292,700 S * 11/1987 Rauch D13/137.1
5,192,231 A * 3/1993 Dolin, Jr. H01R 13/6625
361/111

5,199,093 A * 3/1993 Longhurst G02B 6/30
385/14
5,369,565 A * 11/1994 Chen H02J 7/0042
224/902
D380,732 S * 7/1997 Saunders D13/137.1
D511,746 S * 11/2005 Lu D13/110
D545,764 S * 7/2007 Allison D13/137.1
D554,585 S * 11/2007 Nazar D13/108
D604,243 S * 11/2009 Thorner D13/133
D652,383 S * 1/2012 Akahori D13/138.2
D683,315 S * 5/2013 Carlucci D13/146
8,529,287 B2 * 9/2013 Frenkil B65H 75/06
439/501
D705,730 S * 5/2014 Kretzschmar D13/110

* cited by examiner

Primary Examiner — Rhea Shields

(74) *Attorney, Agent, or Firm* — Banner & Witcoff, Ltd.

(57) **CLAIM**

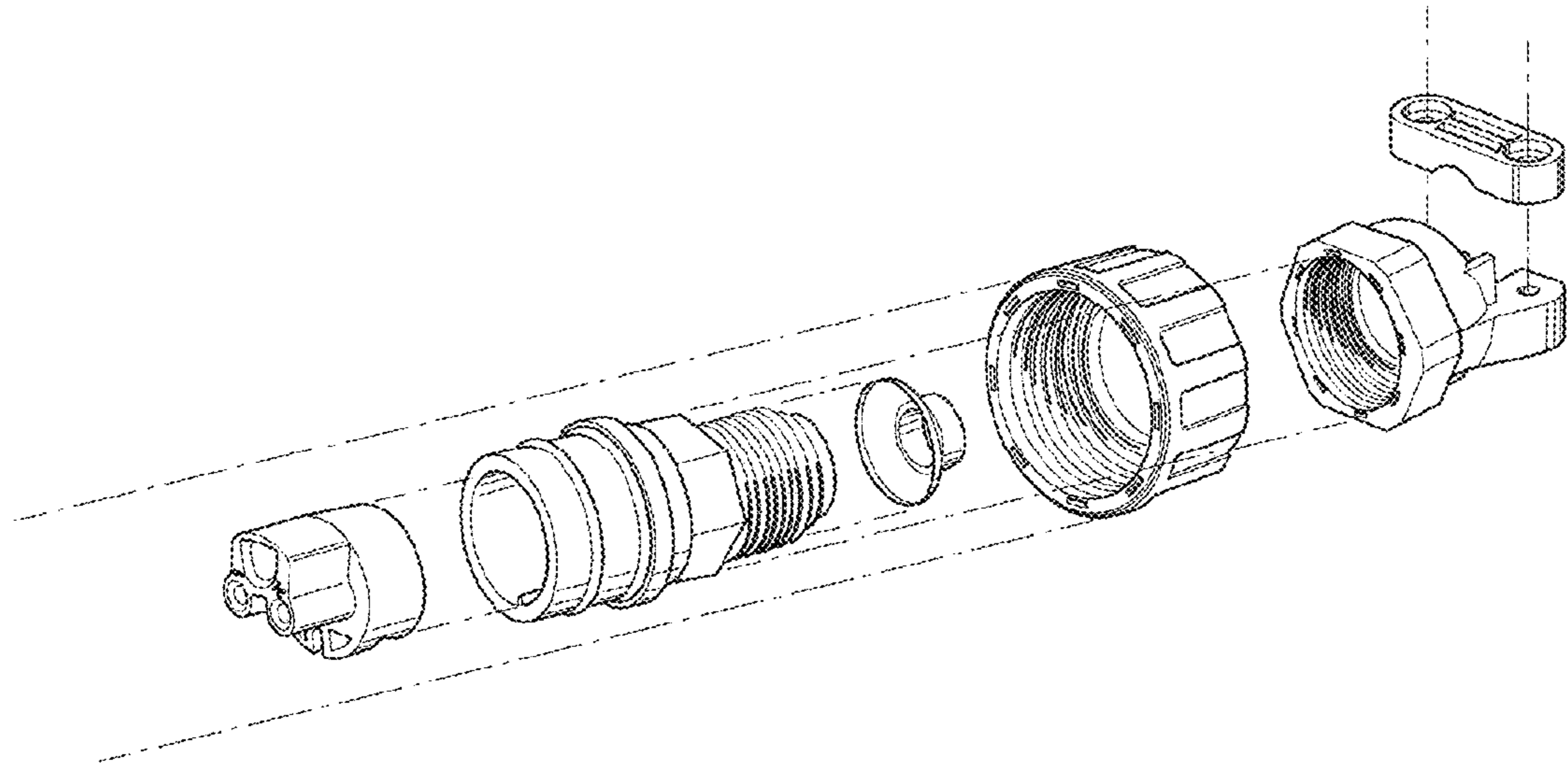
The ornamental design for a plug kit, as shown and described.

DESCRIPTION

FIG. 1 is an exploded front perspective view of a plug kit showing our new design;
FIG. 2 is an exploded rear perspective view thereof;
FIG. 3 is a front perspective view thereof;
FIG. 4 is a rear perspective view thereof;
FIG. 5 is a front view thereof;
FIG. 6 is a rear view thereof;
FIG. 7 is a top view thereof;
FIG. 8 is a side view thereof; and,
FIG. 9 is a bottom view thereof.

The uneven-length broken lines in FIG. 1 and FIG. 2 demonstrate the order of assembly of the various parts of the design in the exploded views and form no part of the claimed design. The even-length broken lines represent unclaimed subject matter and form no part of the claimed design.

1 Claim, 6 Drawing Sheets



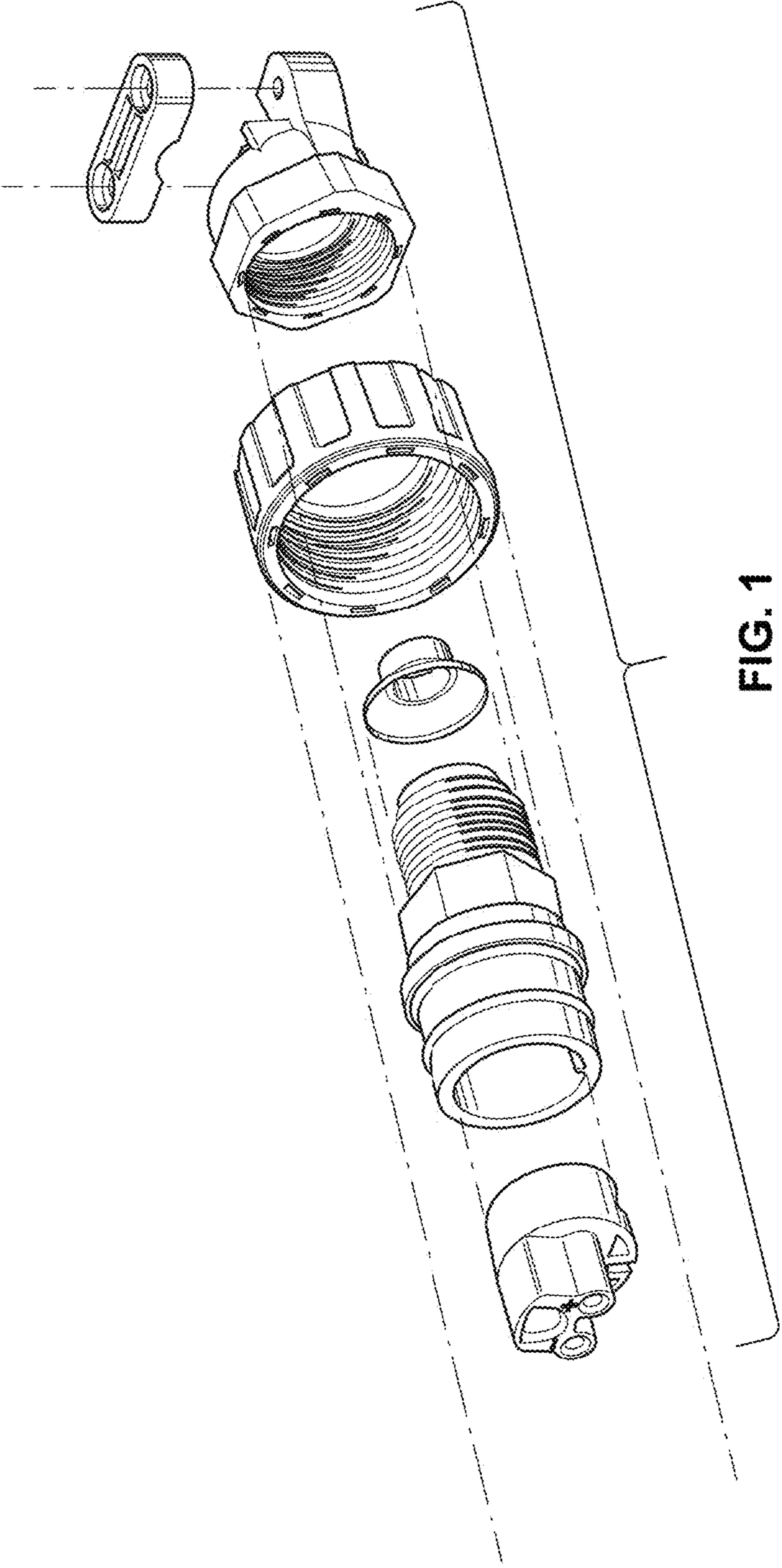


FIG. 1

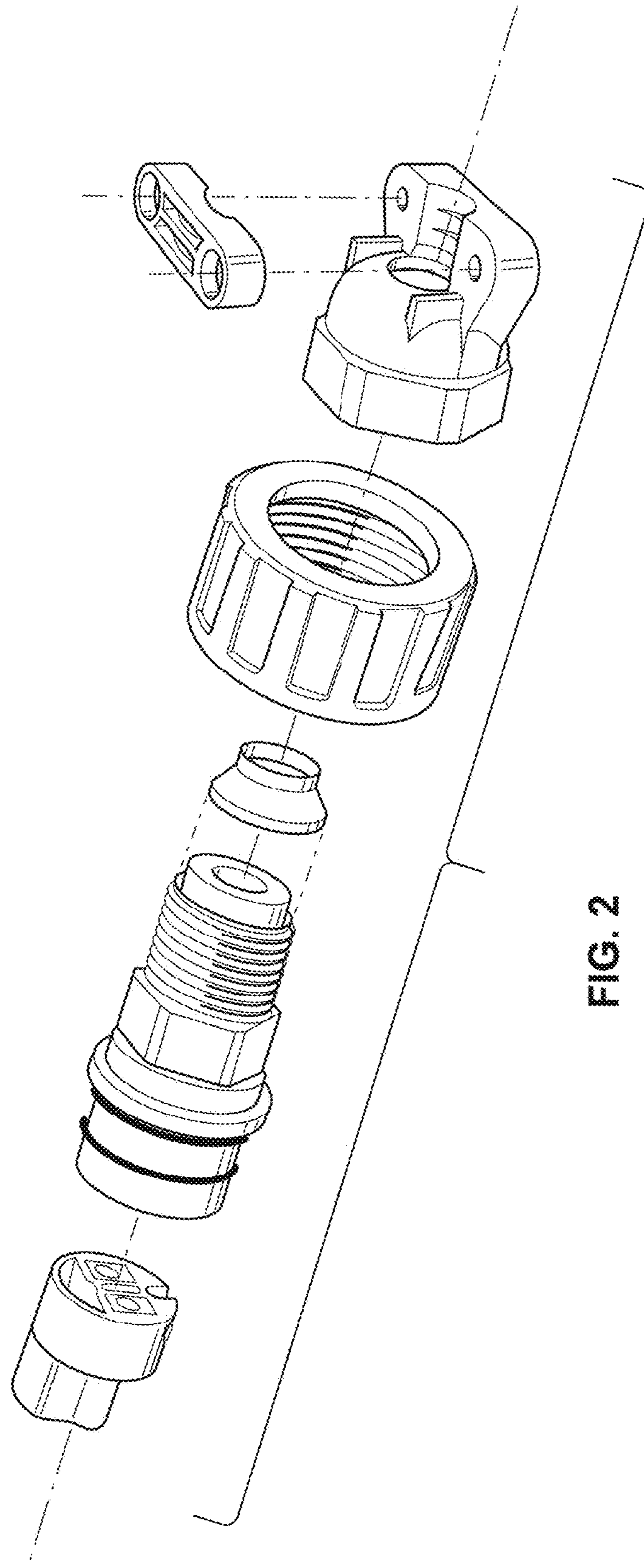


FIG. 2

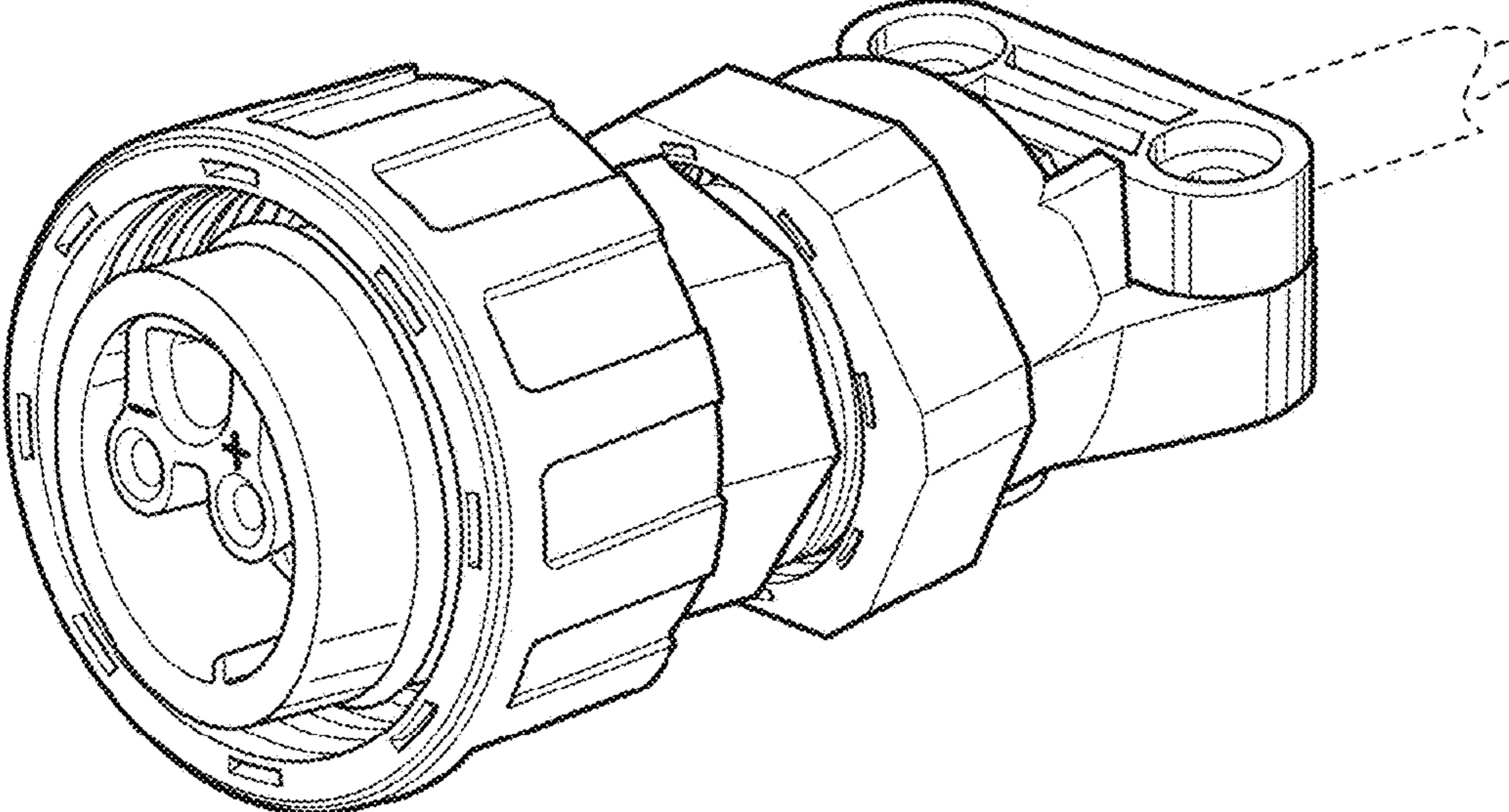


FIG. 3

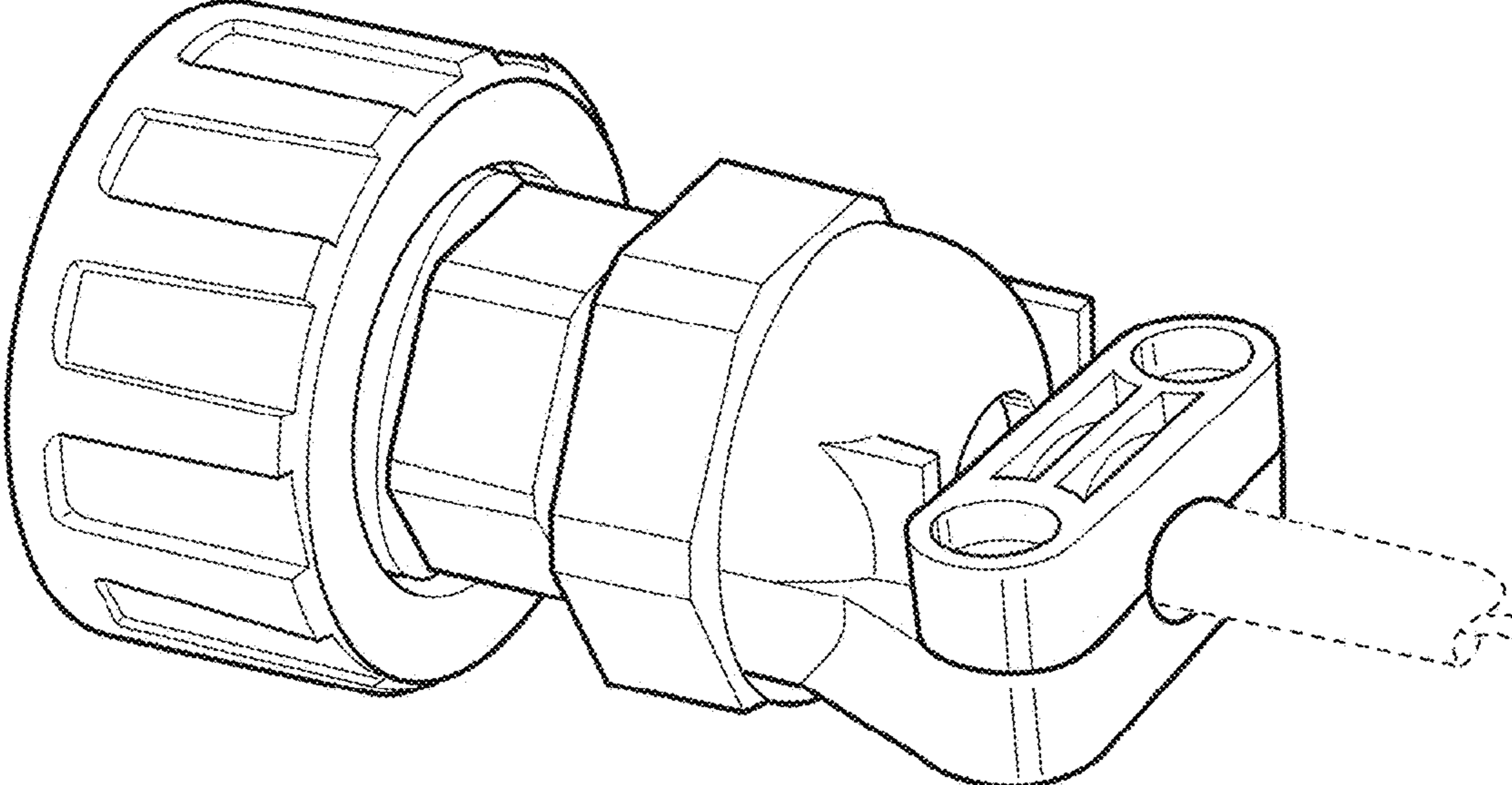


FIG. 4

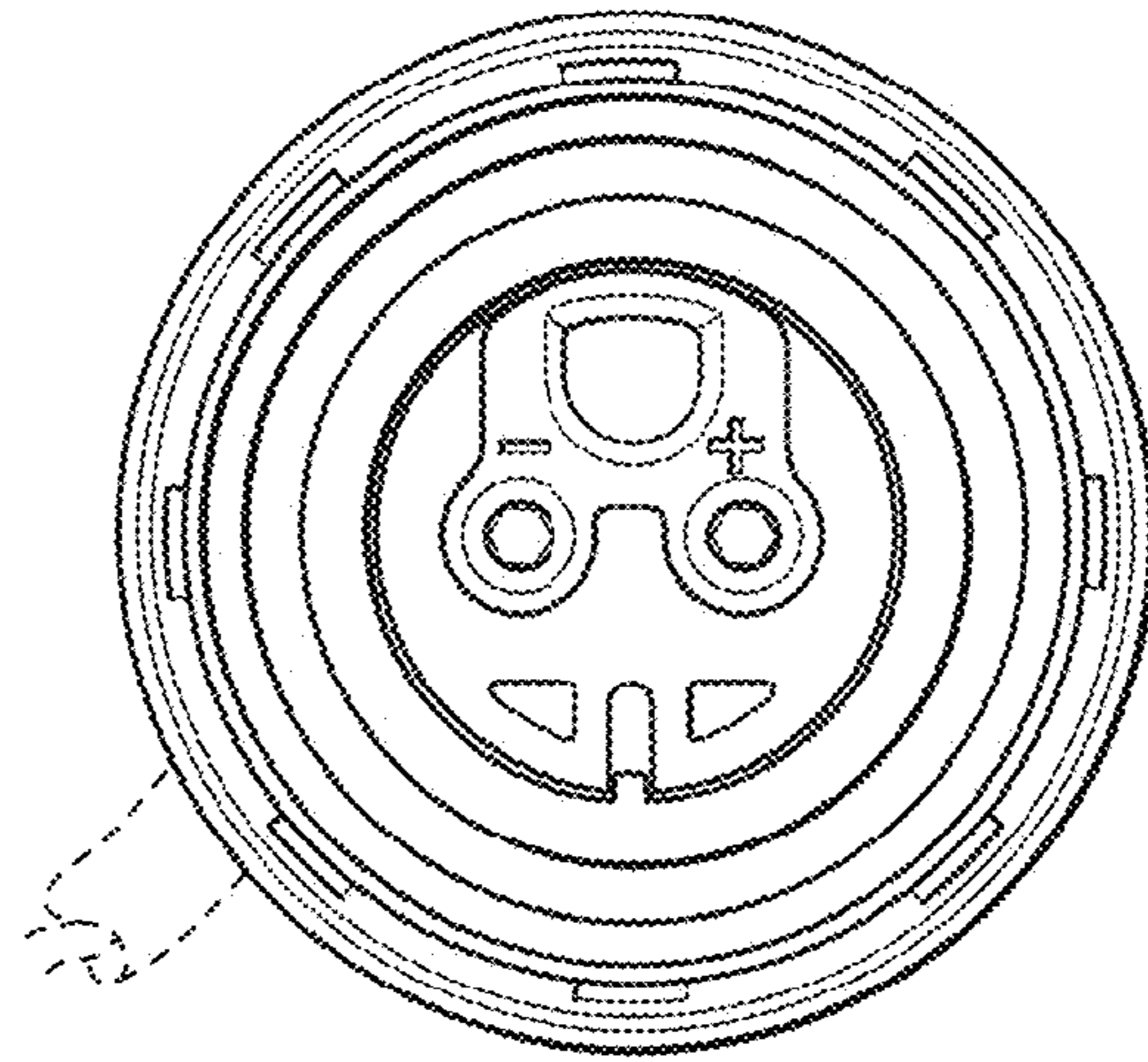


FIG. 5

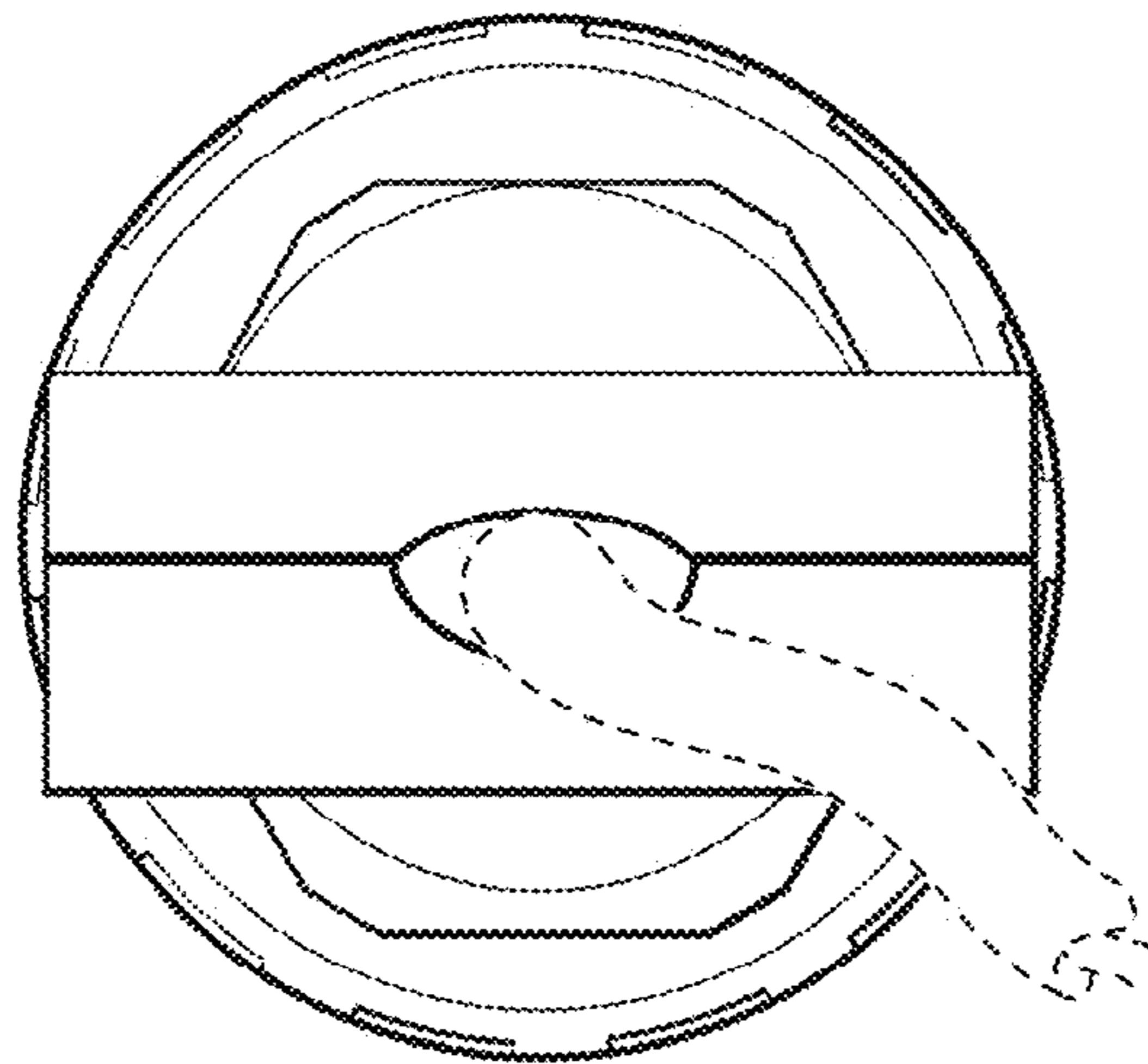


FIG. 6

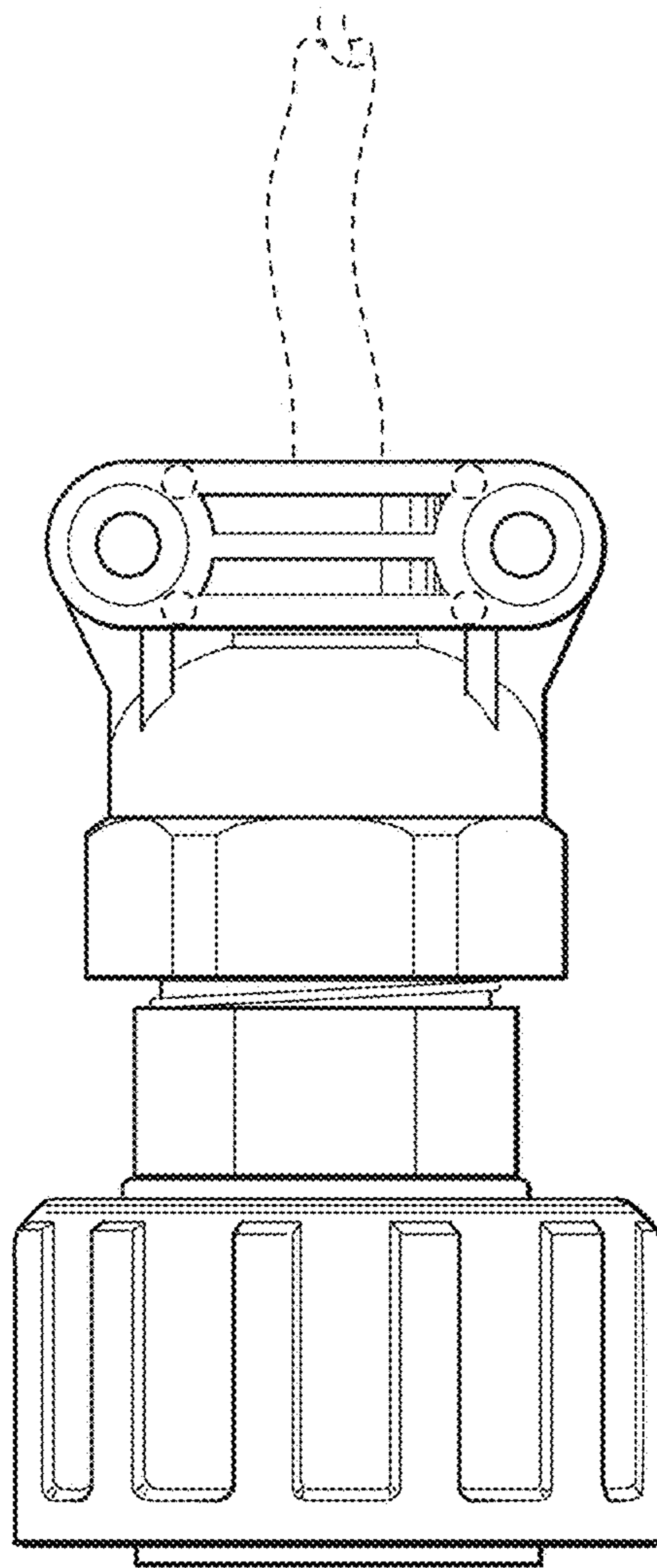


FIG. 7

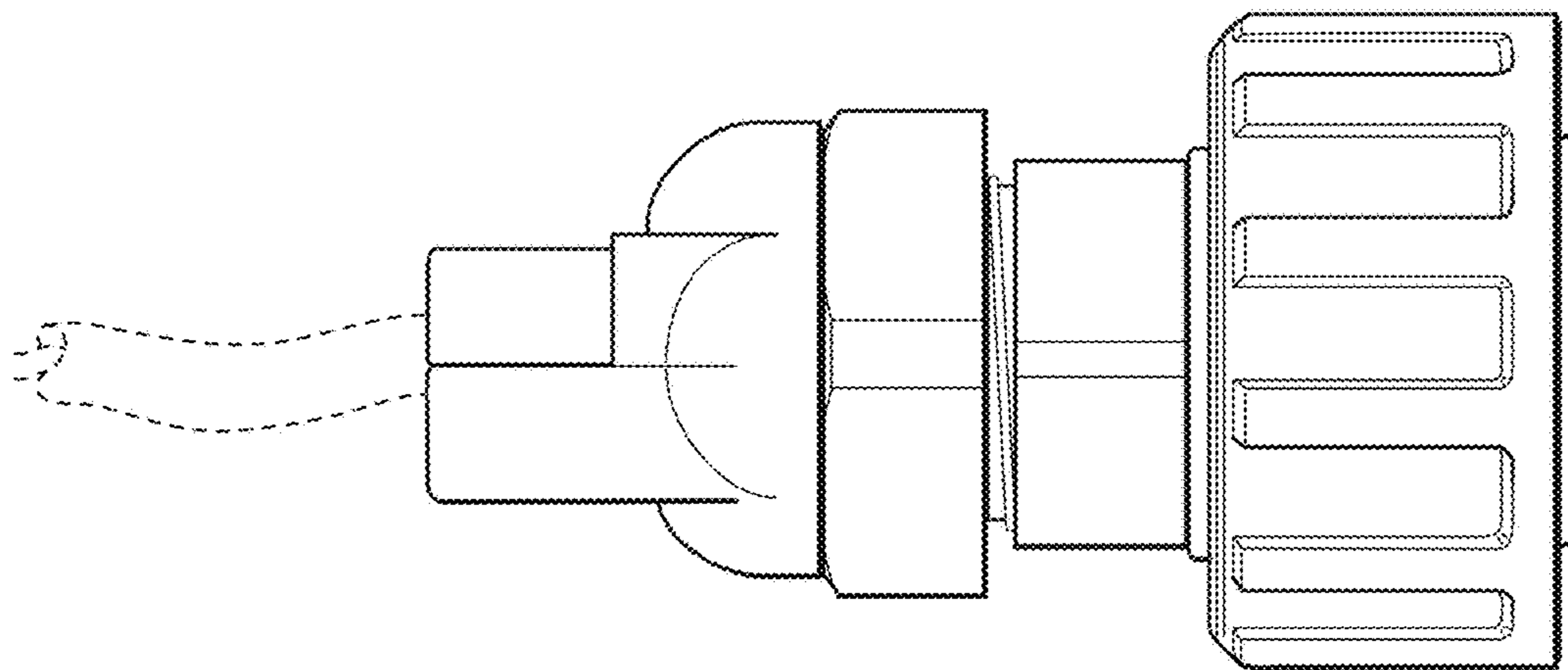


FIG. 8

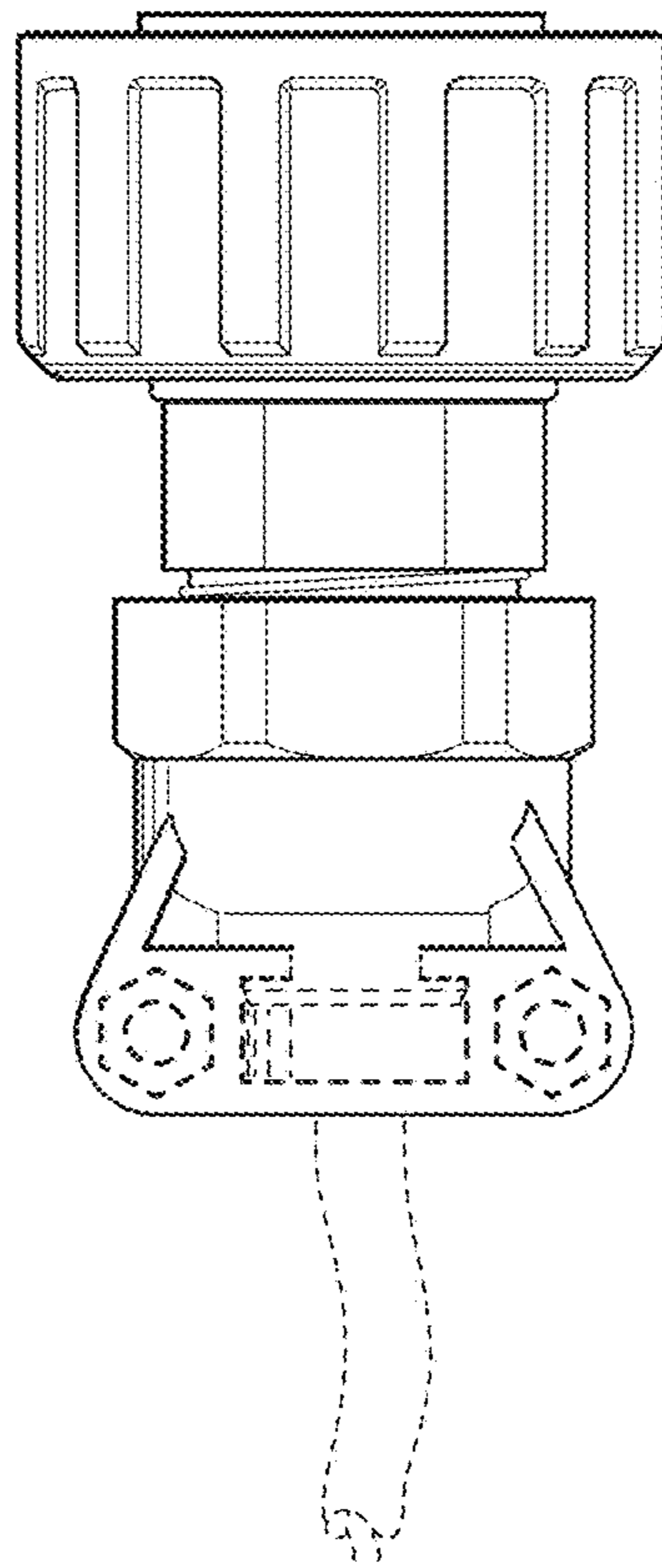


FIG. 9