

US00D801273S

(12) **United States Design Patent** (10) **Patent No.:** **US D801,273 S**
Jou et al. (45) **Date of Patent:** **** Oct. 31, 2017**

(54) **WI-FI EXTENSION PLUG**

DESCRIPTION

(71) Applicant: **Comcast Cable Communications, LLC**, Philadelphia, PA (US)
(72) Inventors: **Michael Jou**, Philadelphia, PA (US); **Neil Epstein**, Havertown, PA (US); **Fraser Stirling**, Bryn Mawr, PA (US); **Thomas Loretan**, Philadelphia, PA (US)
(73) Assignee: **Comcast Cable Communications, LLC**, Philadelphia, PA (US)
(**) Term: **15 Years**
(21) Appl. No.: **29/566,232**
(22) Filed: **May 27, 2016**
(51) **LOC (10) Cl.** **13-03**
(52) **U.S. Cl.**
USPC **D13/137.2**
(58) **Field of Classification Search**
USPC D13/137.1-137.2, 110, 139.8, 184, 152, D13/138.2, 139.4; D14/356, 240; 439/142

(Continued)

(56) **References Cited**

U.S. PATENT DOCUMENTS

5,816,824 A * 10/1998 White H01R 13/5213 439/142
5,899,761 A * 5/1999 Crane H01R 25/00 439/142

(Continued)

Primary Examiner — Rhea Shields

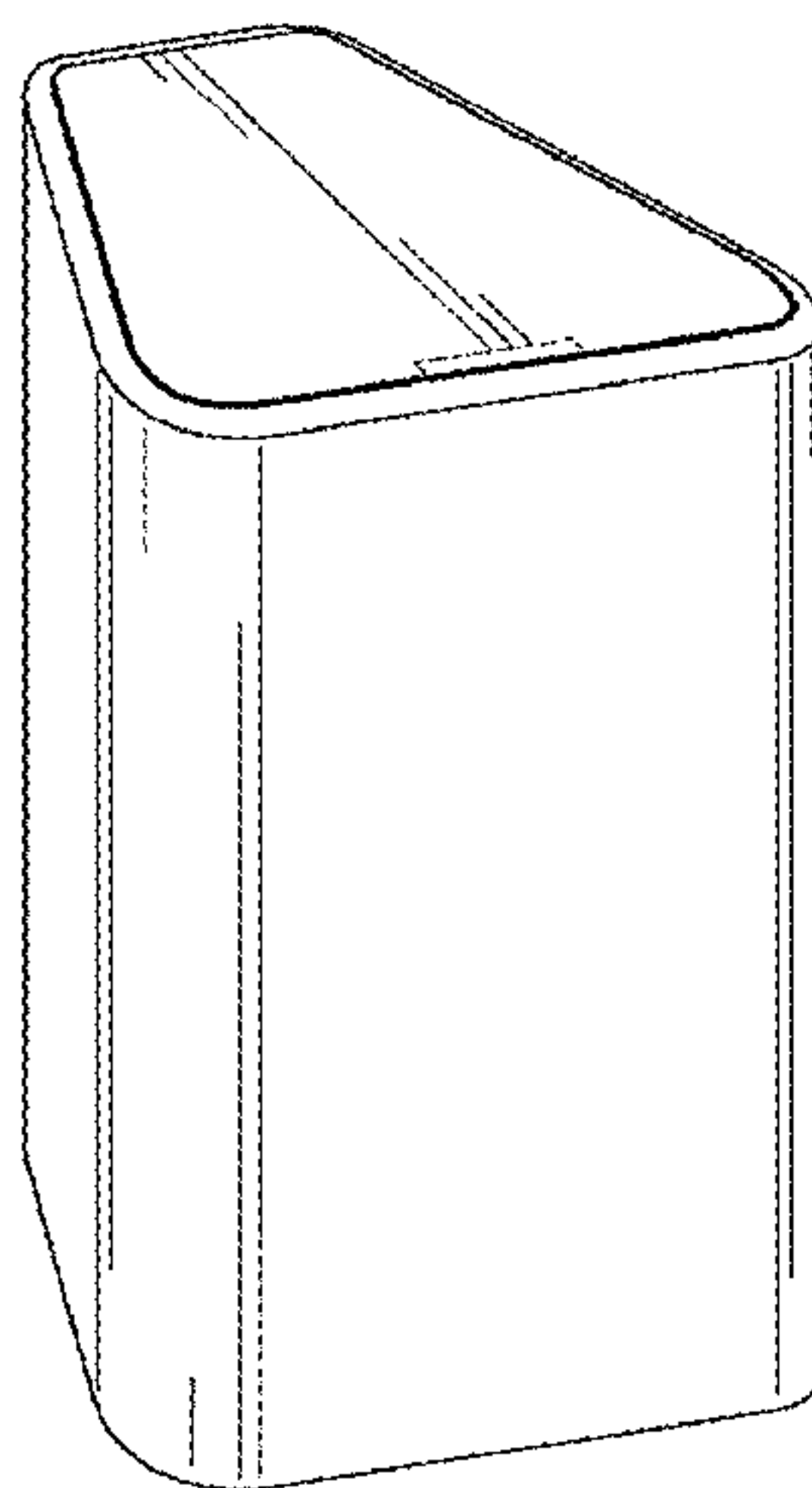
(74) *Attorney, Agent, or Firm* — Baker & Hostetler LLP

(57) **CLAIM**

The ornamental design for a Wi-Fi extension plug, as shown and described.

FIG. 1 is a perspective view showing a first embodiment of the Wi-Fi extension plug according to our new design; FIG. 2 is a front view of the Wi-Fi extension plug of FIG. 1; FIG. 3 is a rear view of the Wi-Fi extension plug of FIG. 1; FIG. 4 is a top view of the Wi-Fi extension plug of FIG. 1; FIG. 5 is a bottom view of the Wi-Fi extension plug of FIG. 1; FIG. 6 is a left side view of the Wi-Fi extension plug of FIG. 1; and FIG. 7 is a right side view of the Wi-Fi extension plug of FIG. 1. FIG. 8 is a perspective view showing a second embodiment of the Wi-Fi extension plug, according to our new design; FIG. 9 is a front view of the Wi-Fi extension plug of FIG. 8; FIG. 10 is a rear view of the Wi-Fi extension plug of FIG. 8; FIG. 11 is a top view of the Wi-Fi extension plug of FIG. 8; FIG. 12 is a bottom view of the Wi-Fi extension plug of FIG. 8; FIG. 13 is a left side view of the Wi-Fi extension plug of FIG. 8; and FIG. 14 is a right side view of the Wi-Fi extension plug of FIG. 8. FIG. 15 is a perspective view showing a third embodiment of the Wi-Fi extension plug, according to our new design; FIG. 16 is a front view of the Wi-Fi extension plug of FIG. 15; FIG. 17 is a rear view of the Wi-Fi extension plug of FIG. 15; FIG. 18 is a top view of the Wi-Fi extension plug of FIG. 15; FIG. 19 is a bottom view of the Wi-Fi extension plug of FIG. 15; FIG. 20 is a left side view of the Wi-Fi extension plug of FIG. 15; and, FIG. 21 is a right side view of the Wi-Fi extension plug of FIG. 15. In the drawings, the broken lines are for the purpose of illustrating environment only and form no part of the claimed design.

1 Claim, 12 Drawing Sheets



- (58) **Field of Classification Search**
 CPC ... H05K 5/0017; H01R 13/5213; H01R 25/00
 See application file for complete search history.

(56) **References Cited**

U.S. PATENT DOCUMENTS

D432,989	S	*	10/2000	Rossman	D13/137.2
D472,213	S	*	3/2003	Byrne	D13/139.4
D486,793	S	*	2/2004	Gershfeld	D13/139.4
D548,731	S	*	8/2007	Liu	D14/240
D592,647	S	*	5/2009	L'Henaff	D14/240
D592,648	S	*	5/2009	L'Henaff	D14/240
D593,082	S	*	5/2009	Jeon	D14/240
D596,627	S	*	7/2009	Cho	D14/240
D596,628	S	*	7/2009	Houdek, II	D14/240
D651,974	S	*	1/2012	Benedetti	D13/137.2
D715,225	S	*	10/2014	Mininger	D13/139.4
D719,091	S	*	12/2014	Leddusire	D13/110
D736,709	S	*	8/2015	Byrne	D13/137.1
D739,355	S	*	9/2015	D'Aubeterre	D13/139.8
D751,038	S	*	3/2016	Lin	D13/137.2
D756,943	S	*	5/2016	Epstein	D13/184
D771,039	S	*	11/2016	Windstrup	D14/356
D772,817	S	*	11/2016	Lunjevich	D13/152
D775,077	S	*	12/2016	Xu	D13/137.2
D776,057	S	*	1/2017	Burke	D13/137.2
D776,617	S	*	1/2017	Lagerstedt	D13/138.2
D778,237	S	*	2/2017	Medley	H05K 5/0017 D13/137.2

* cited by examiner

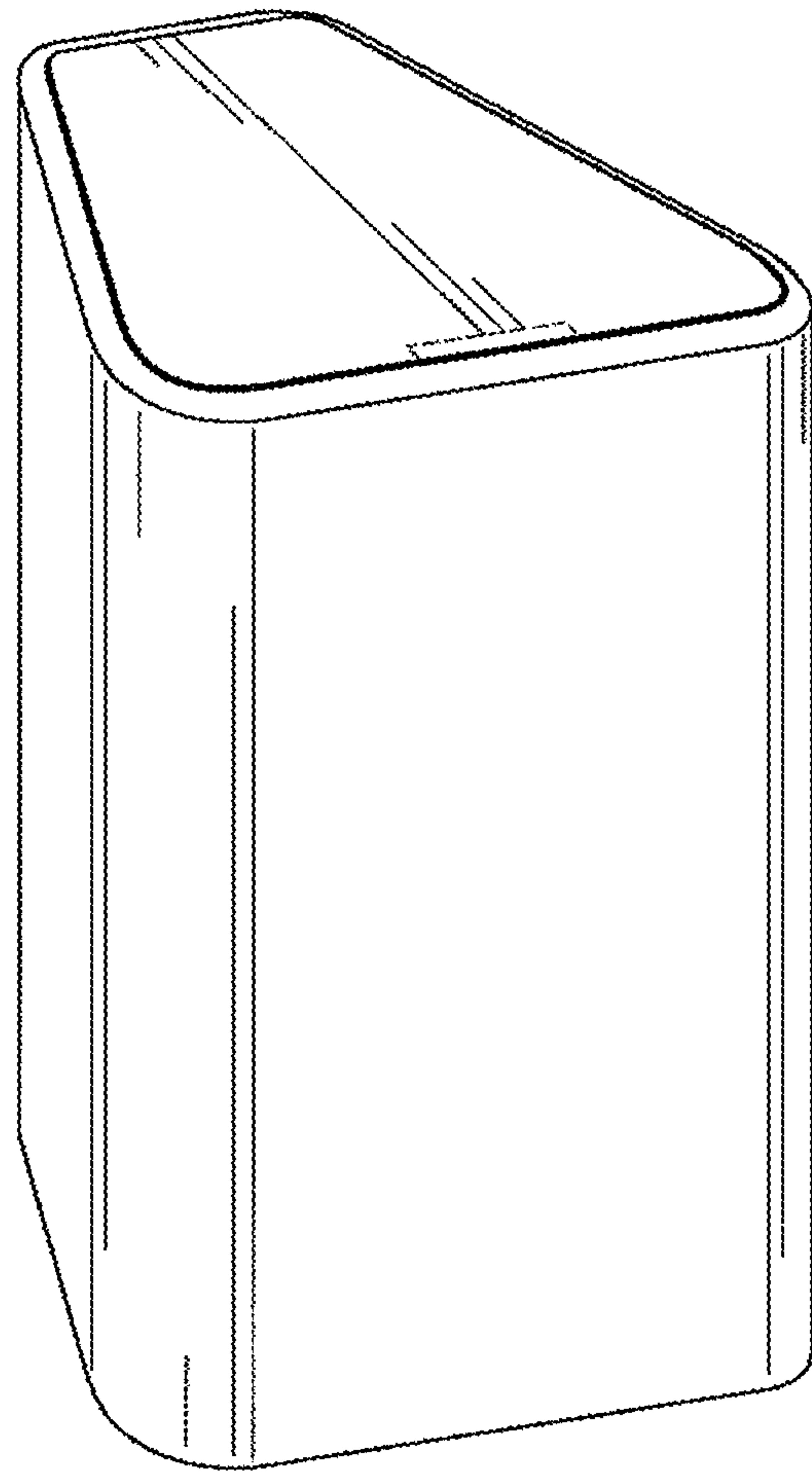


FIG. 1

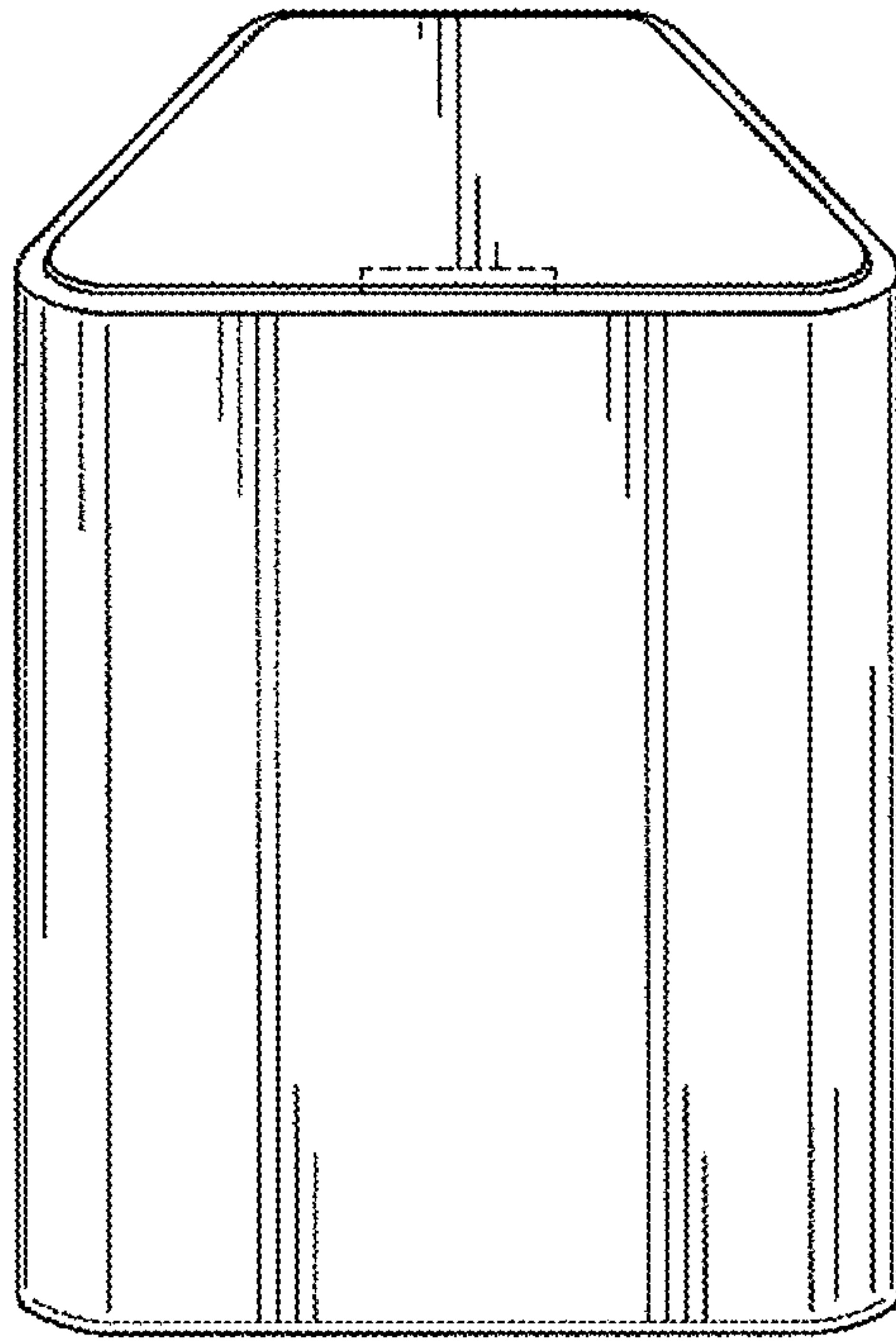


FIG. 2

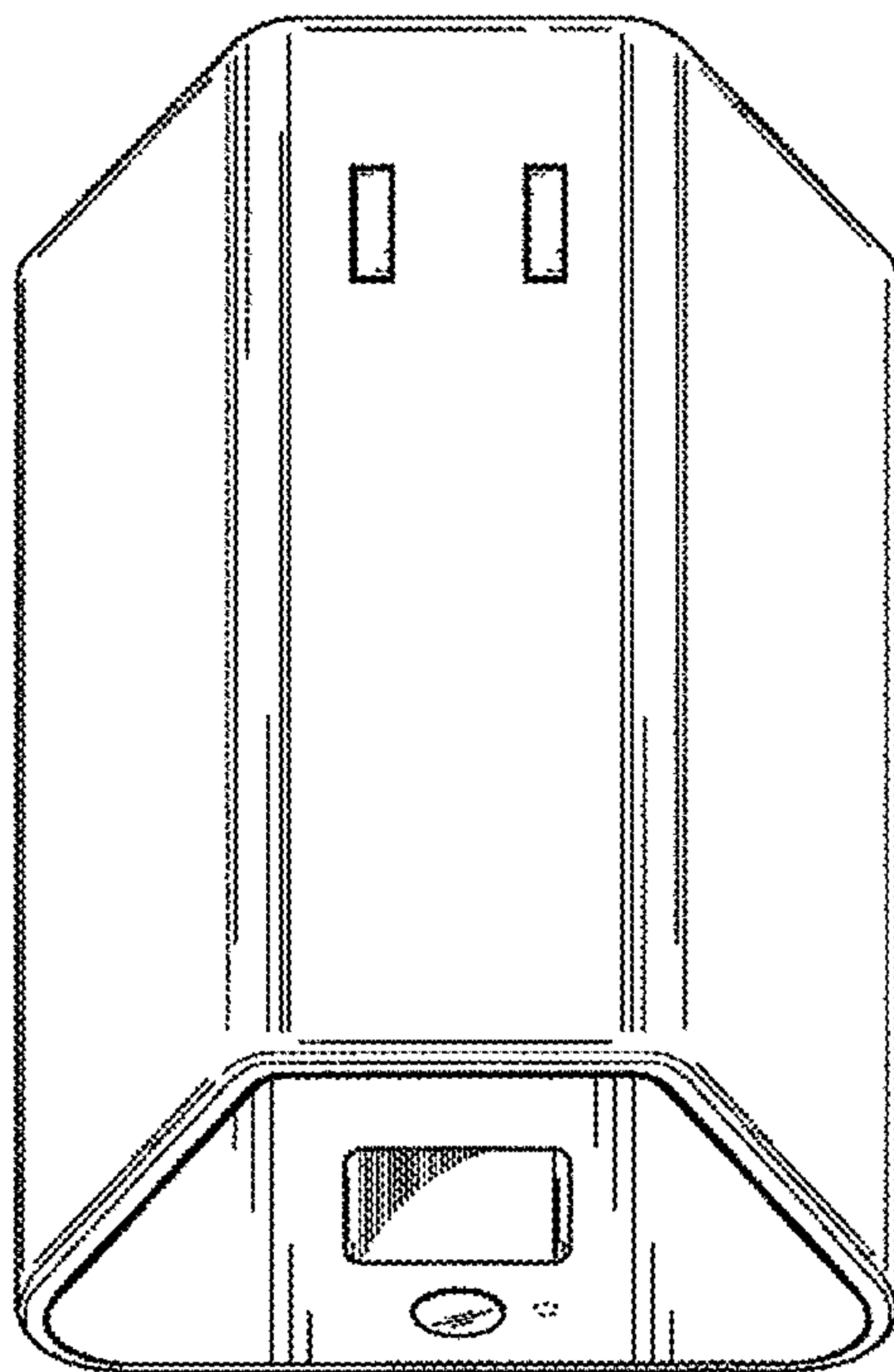


FIG. 3

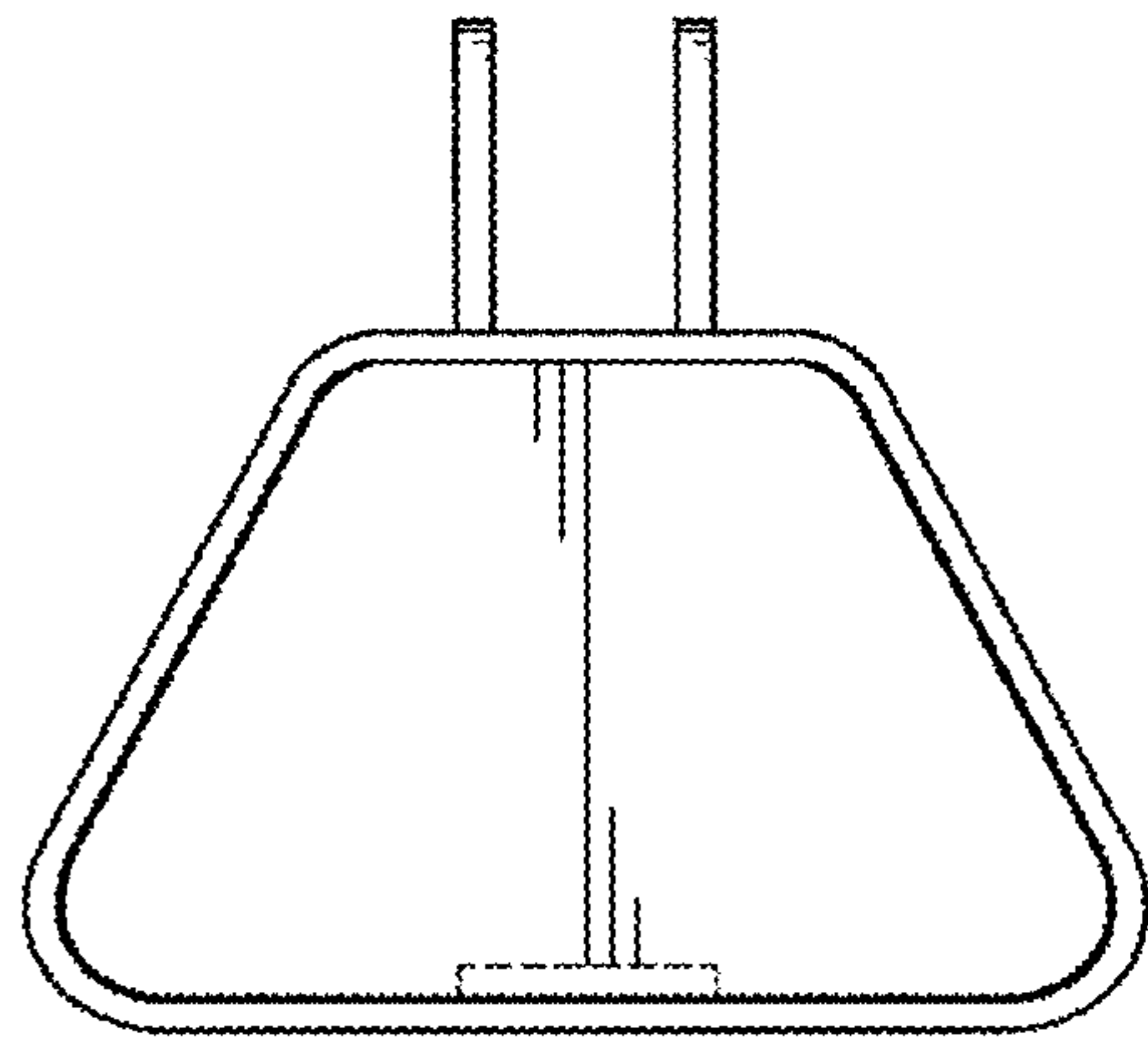


FIG. 4

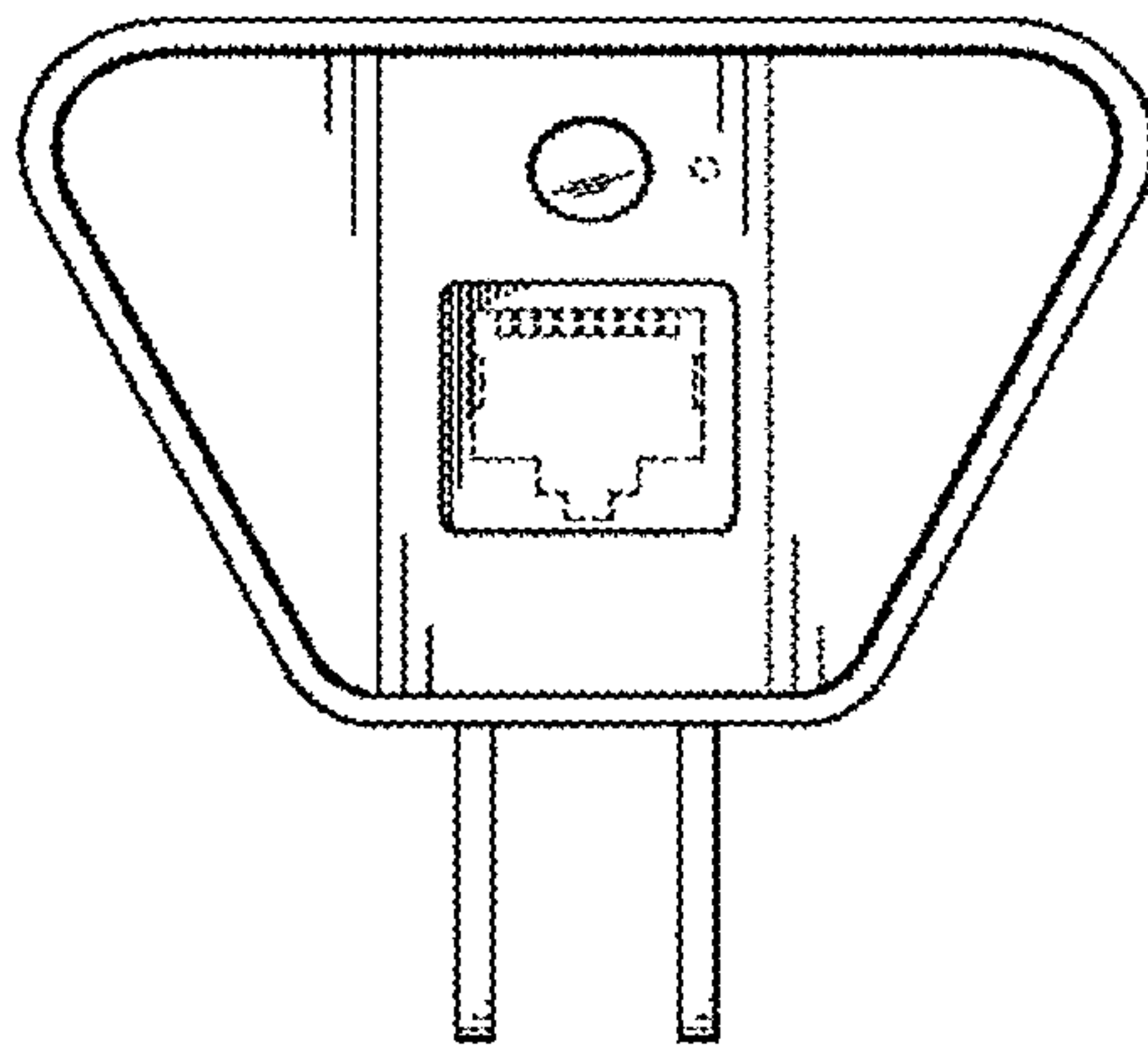


FIG. 5

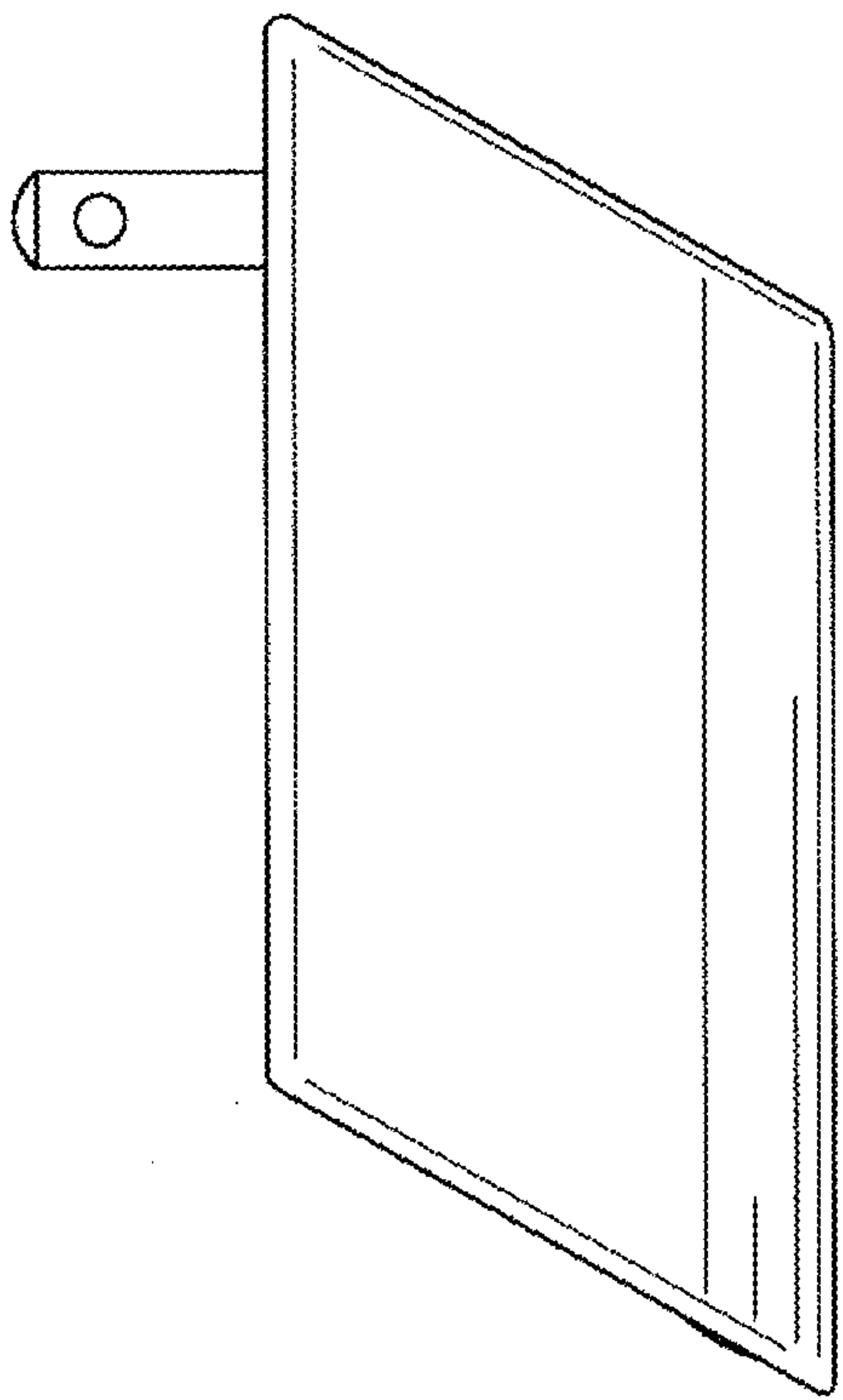


FIG. 6

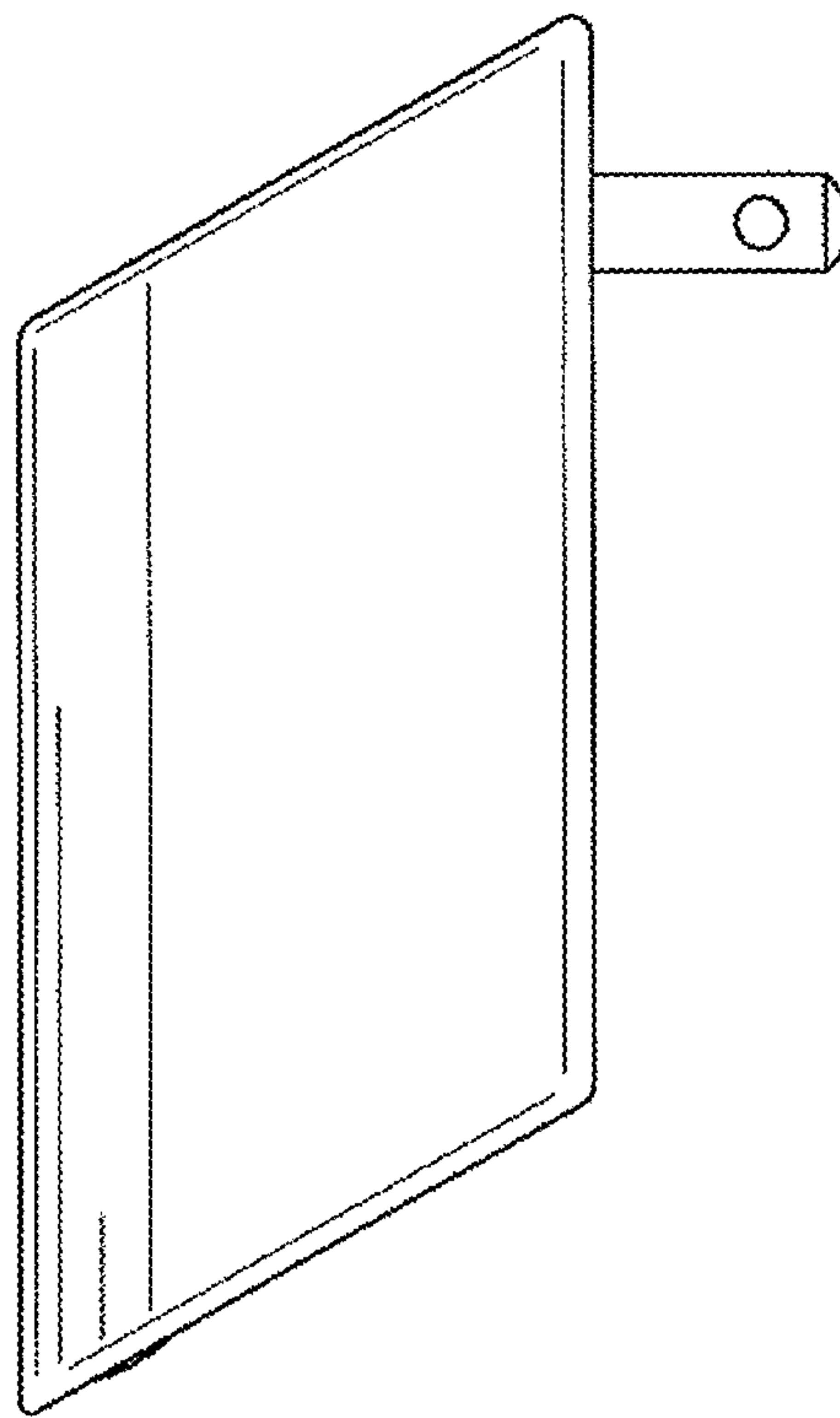


FIG. 7

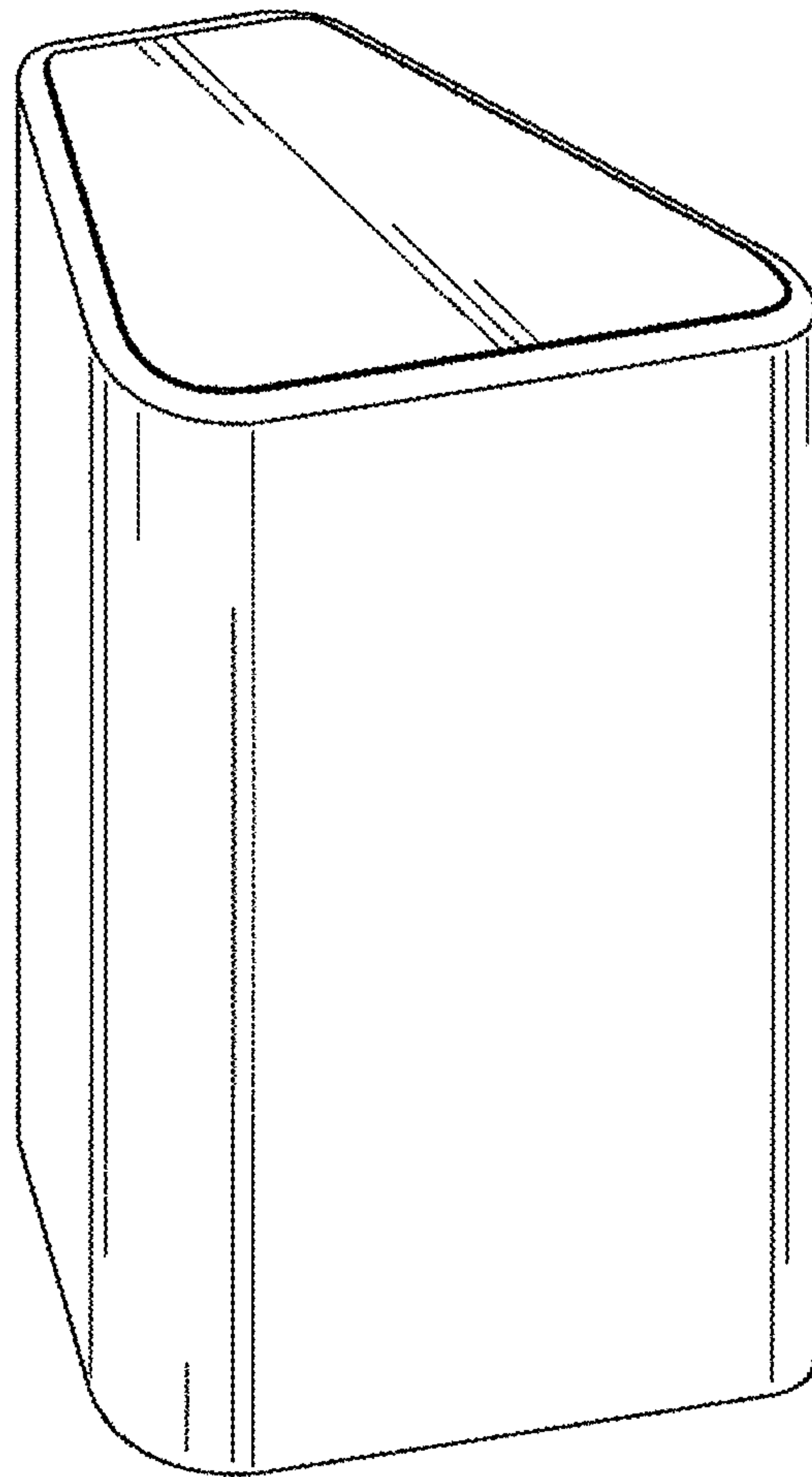


FIG. 8

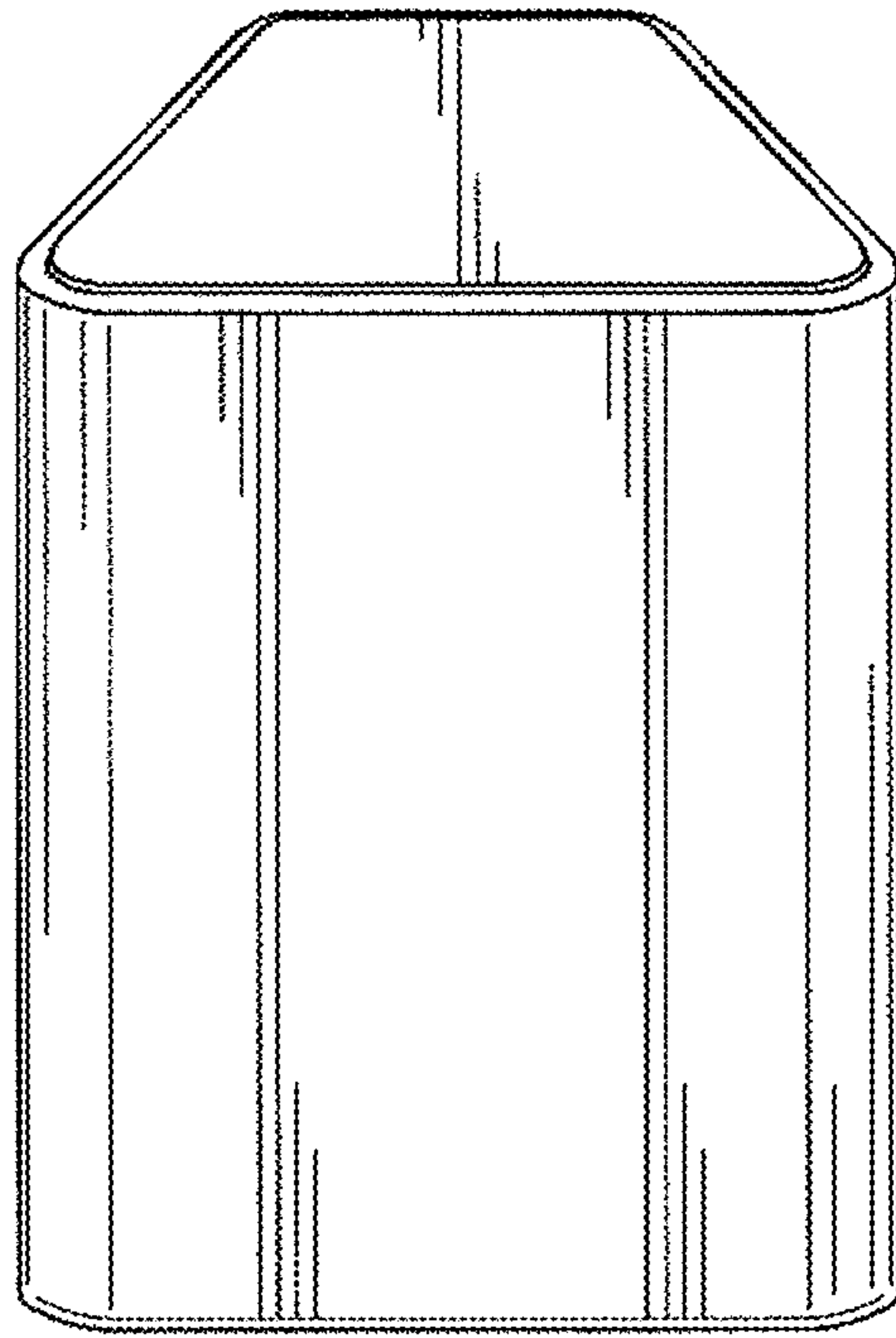


FIG. 9

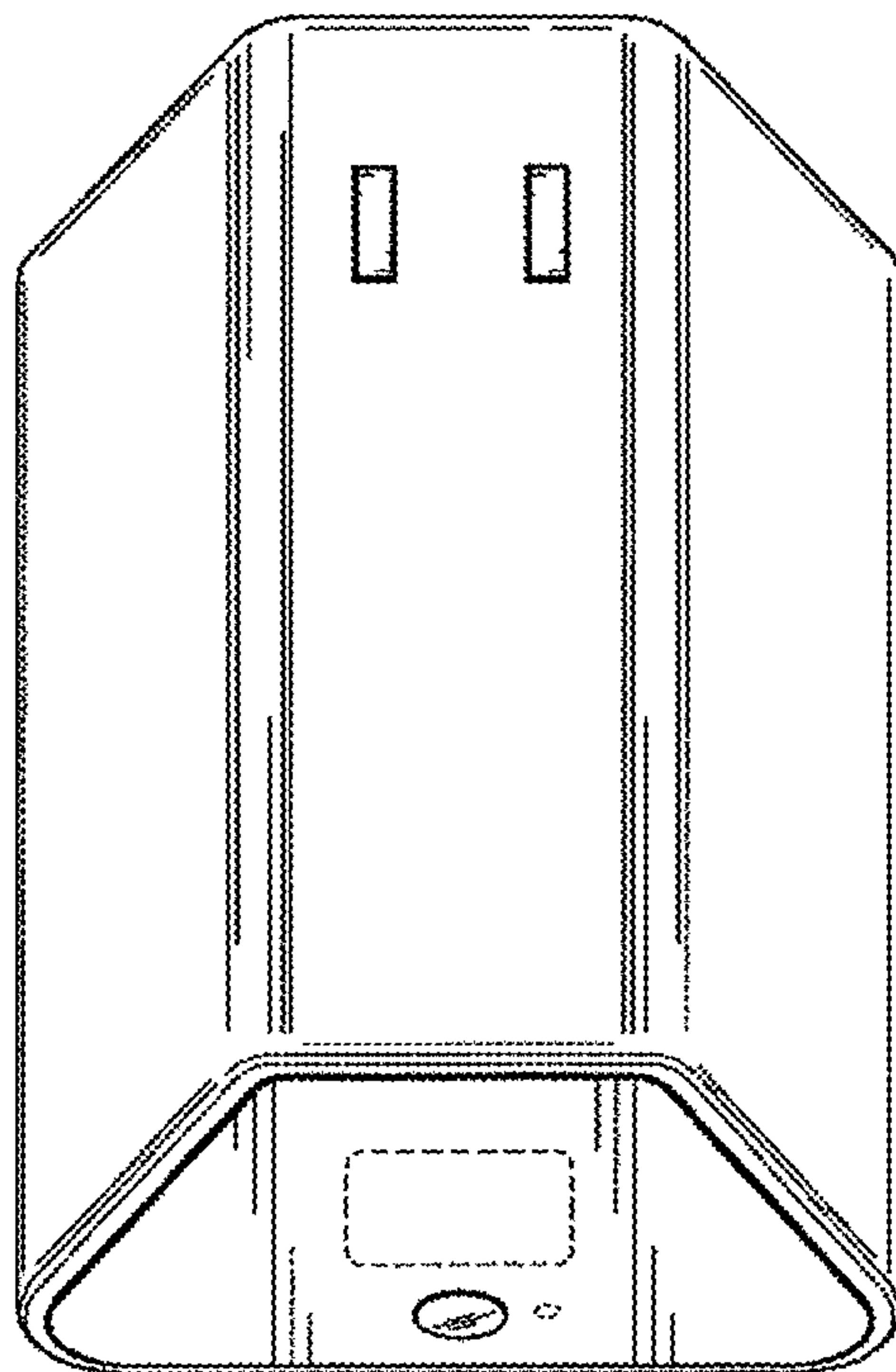


FIG. 10

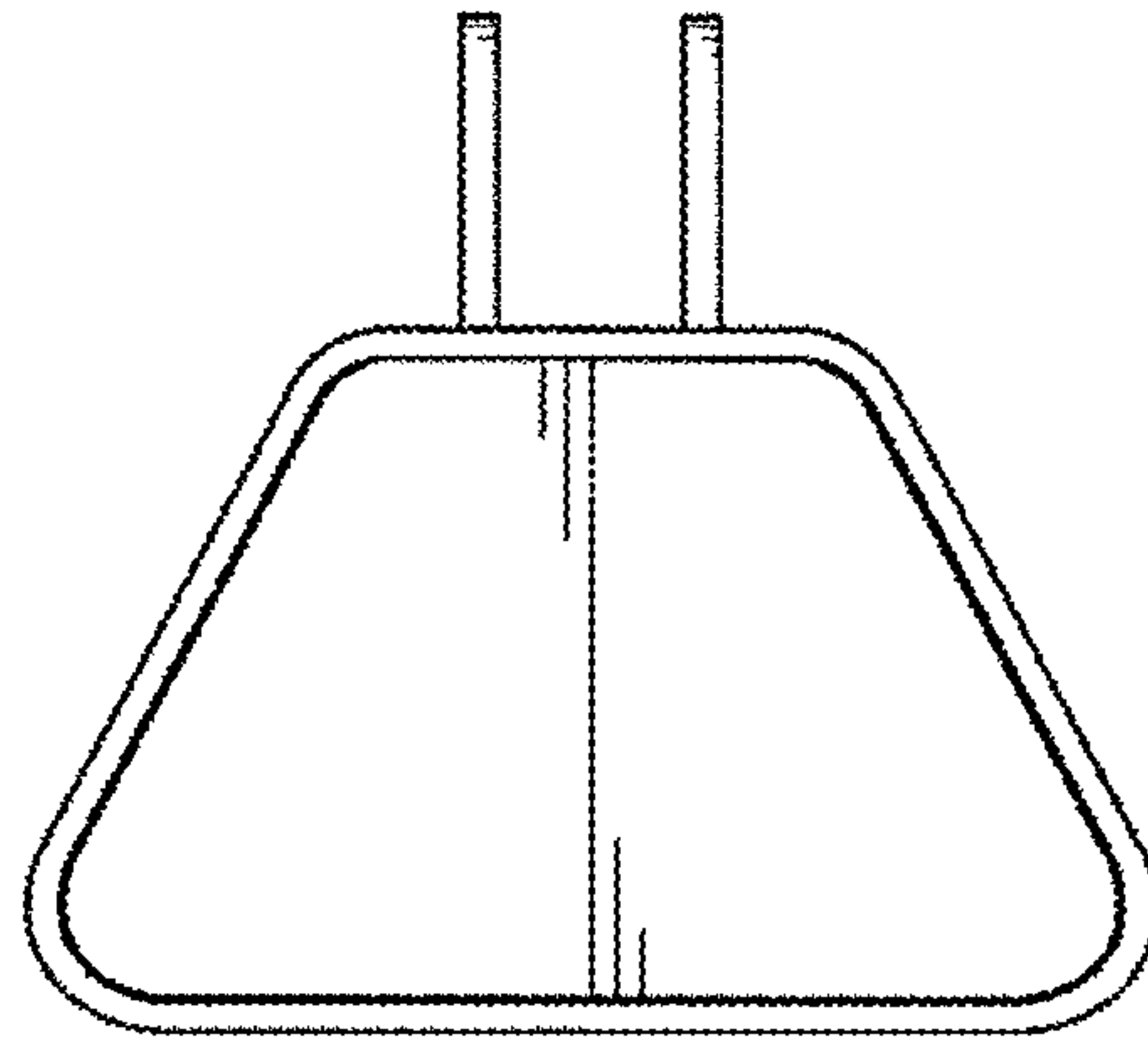


FIG. 11

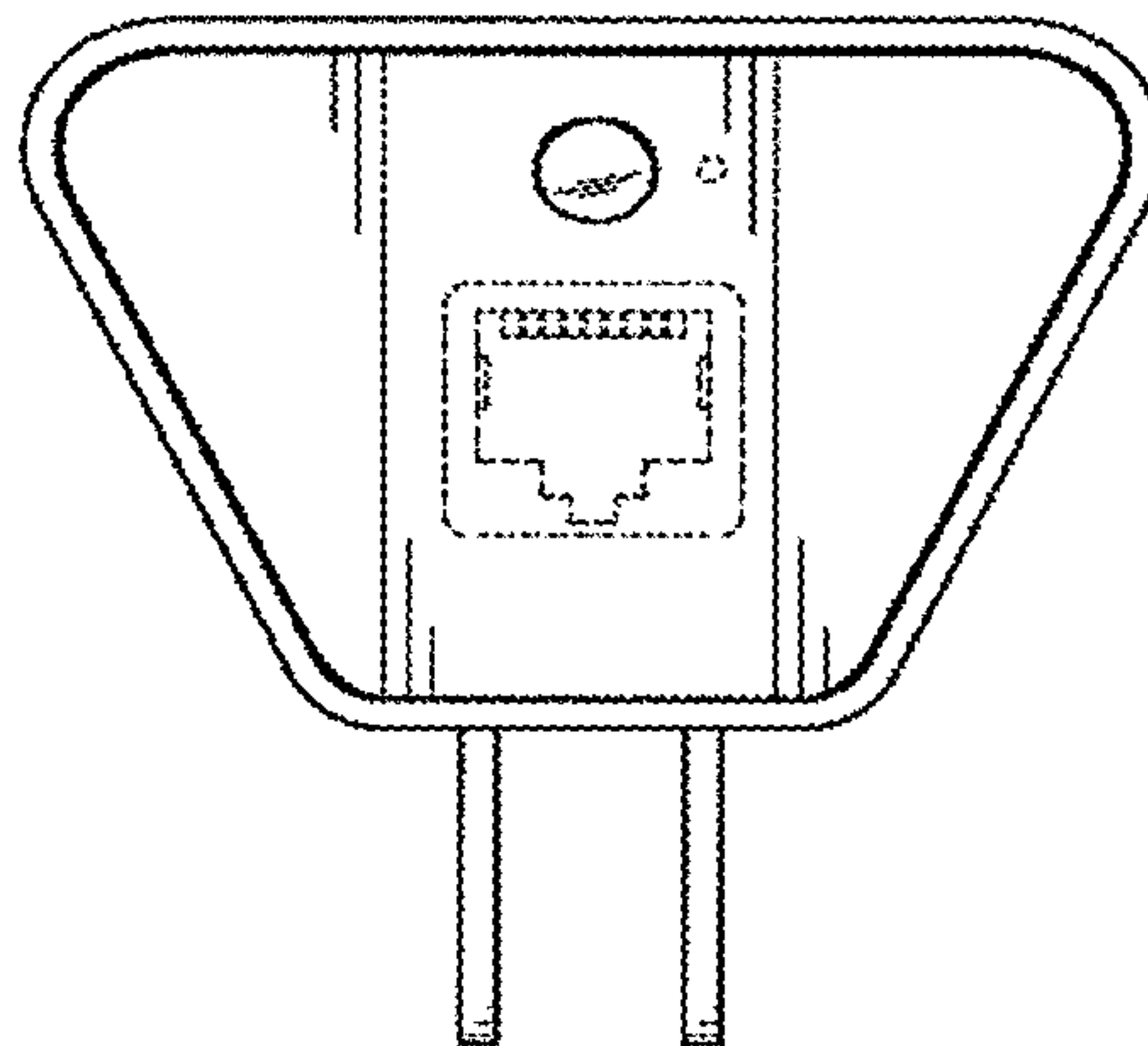


FIG. 12

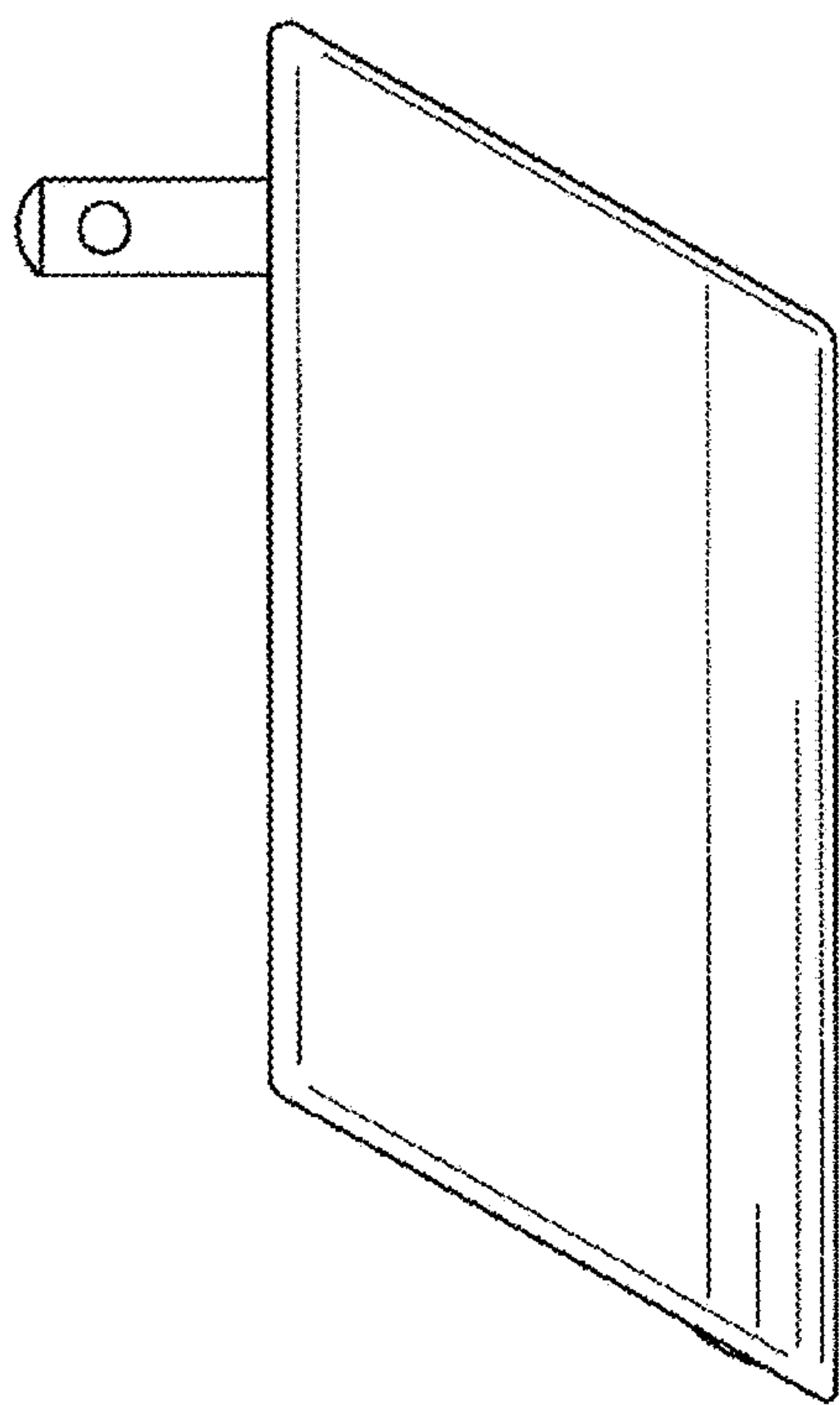


FIG. 13

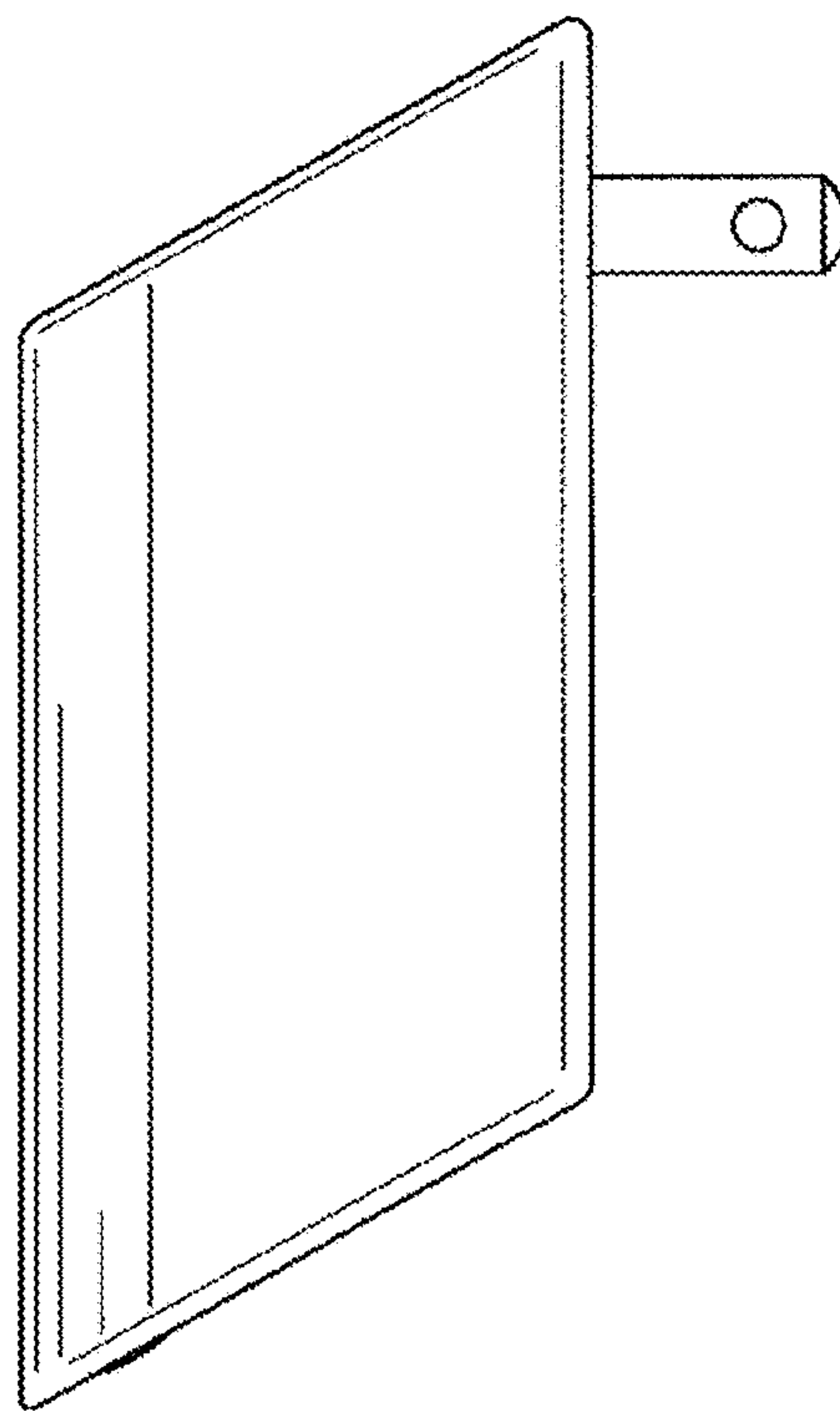


FIG. 14

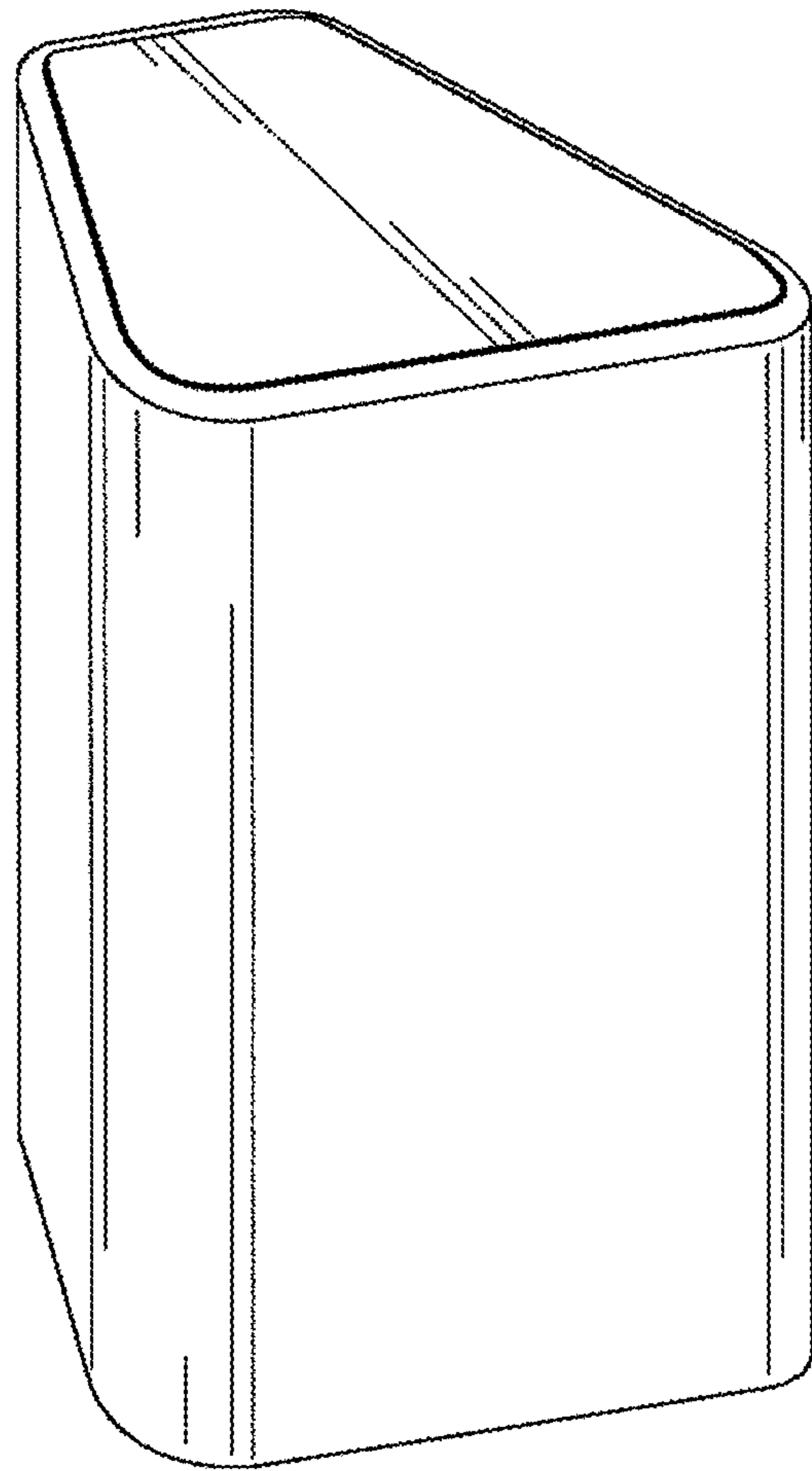


FIG. 15

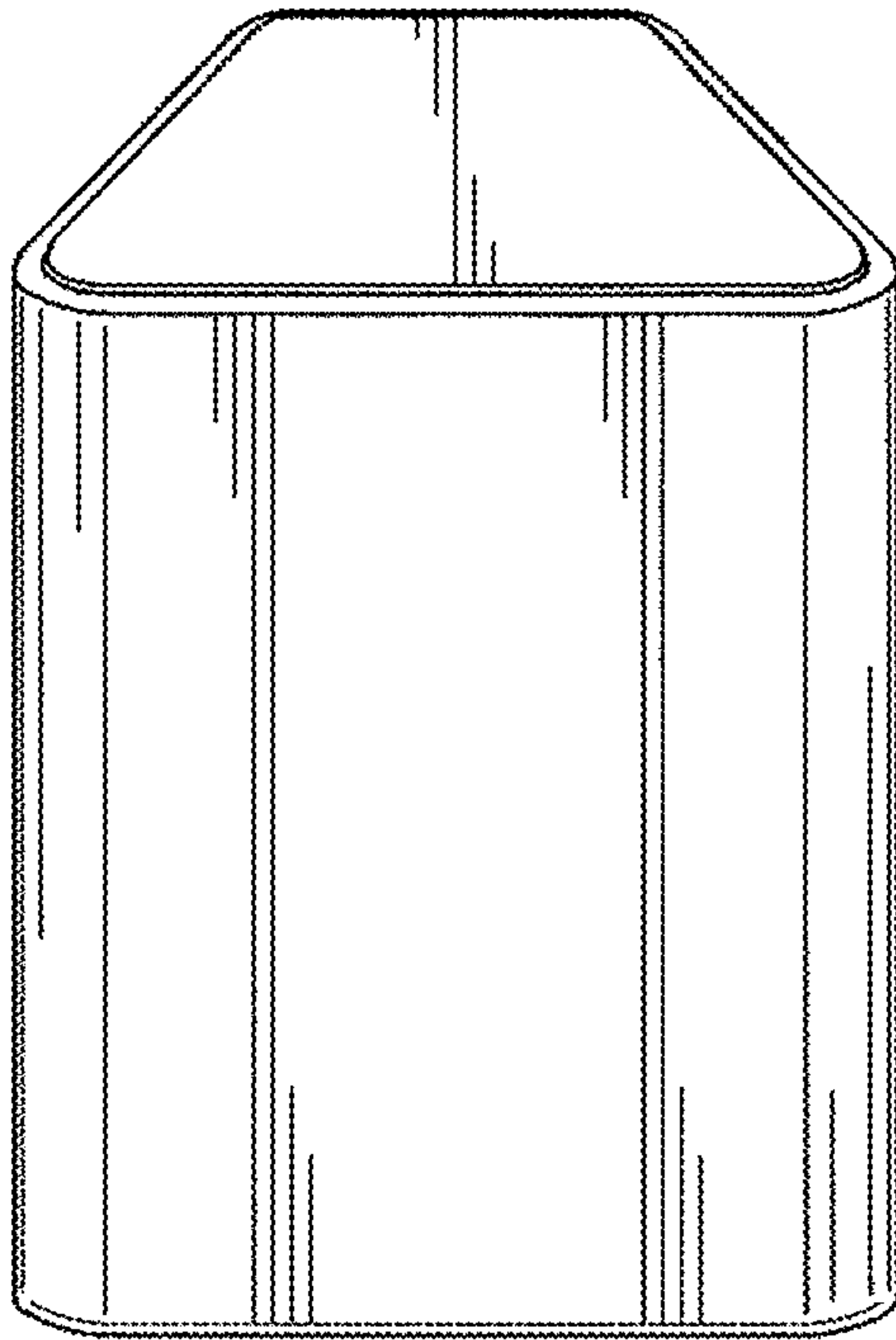


FIG. 16

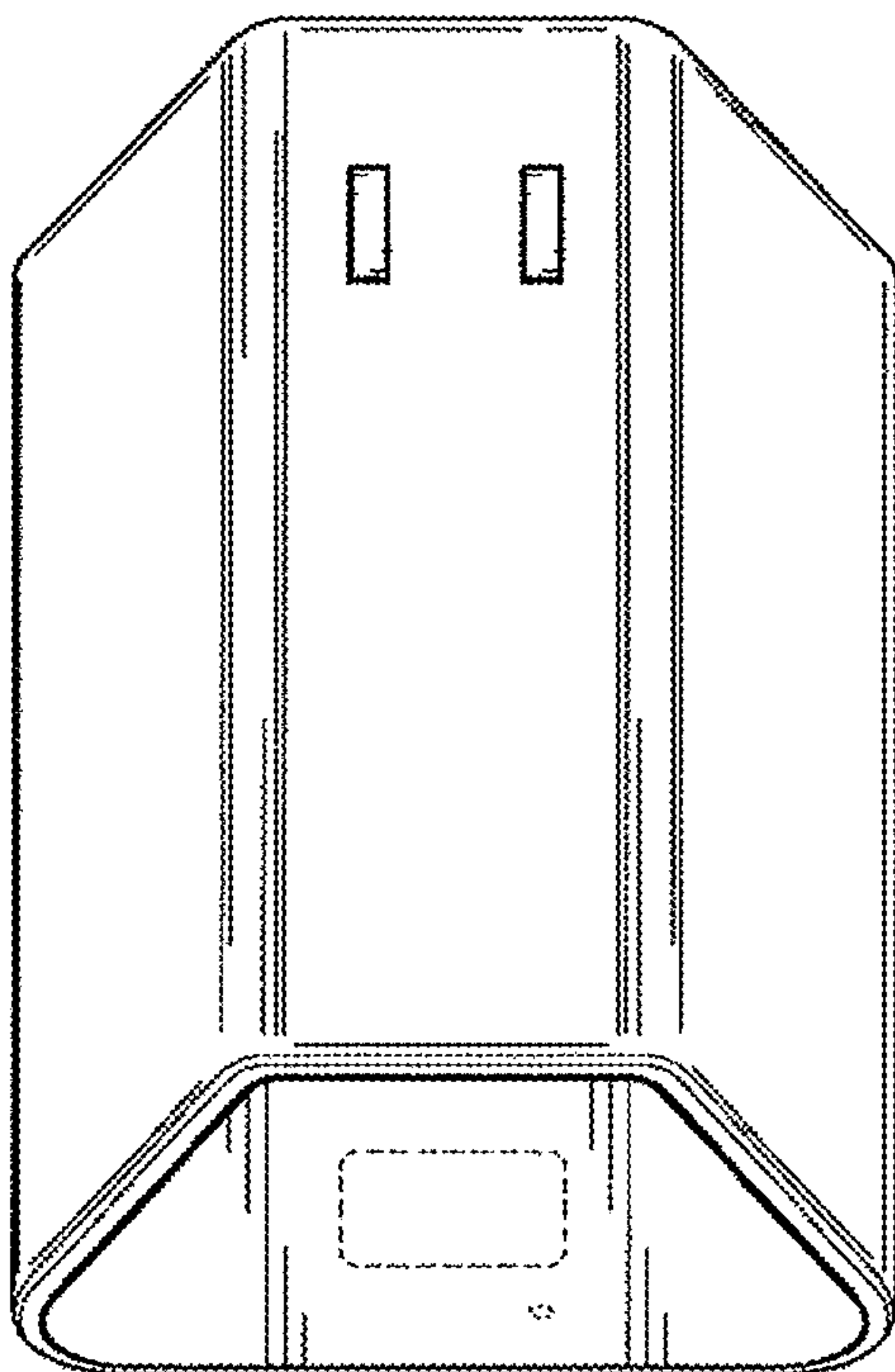


FIG. 17

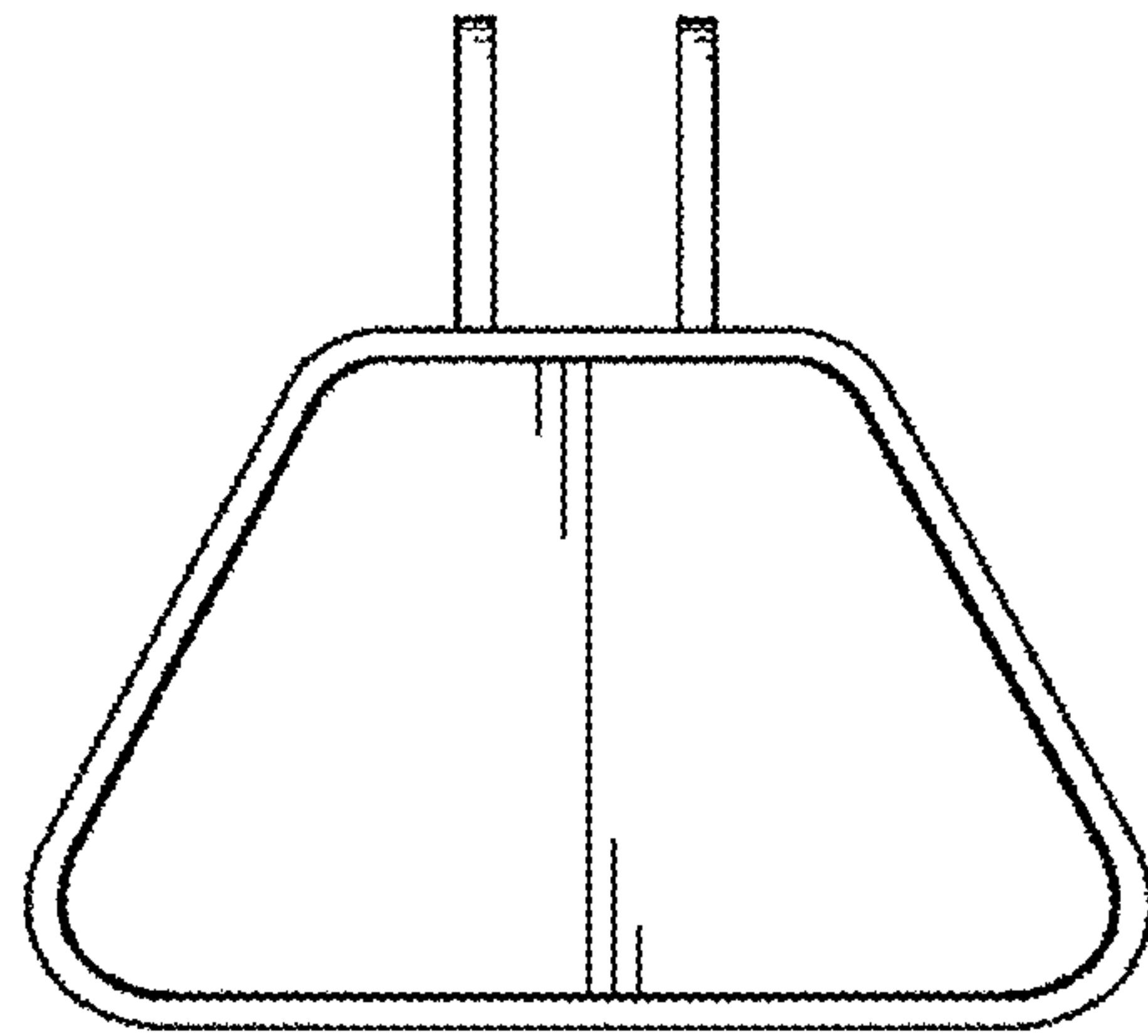


FIG. 18

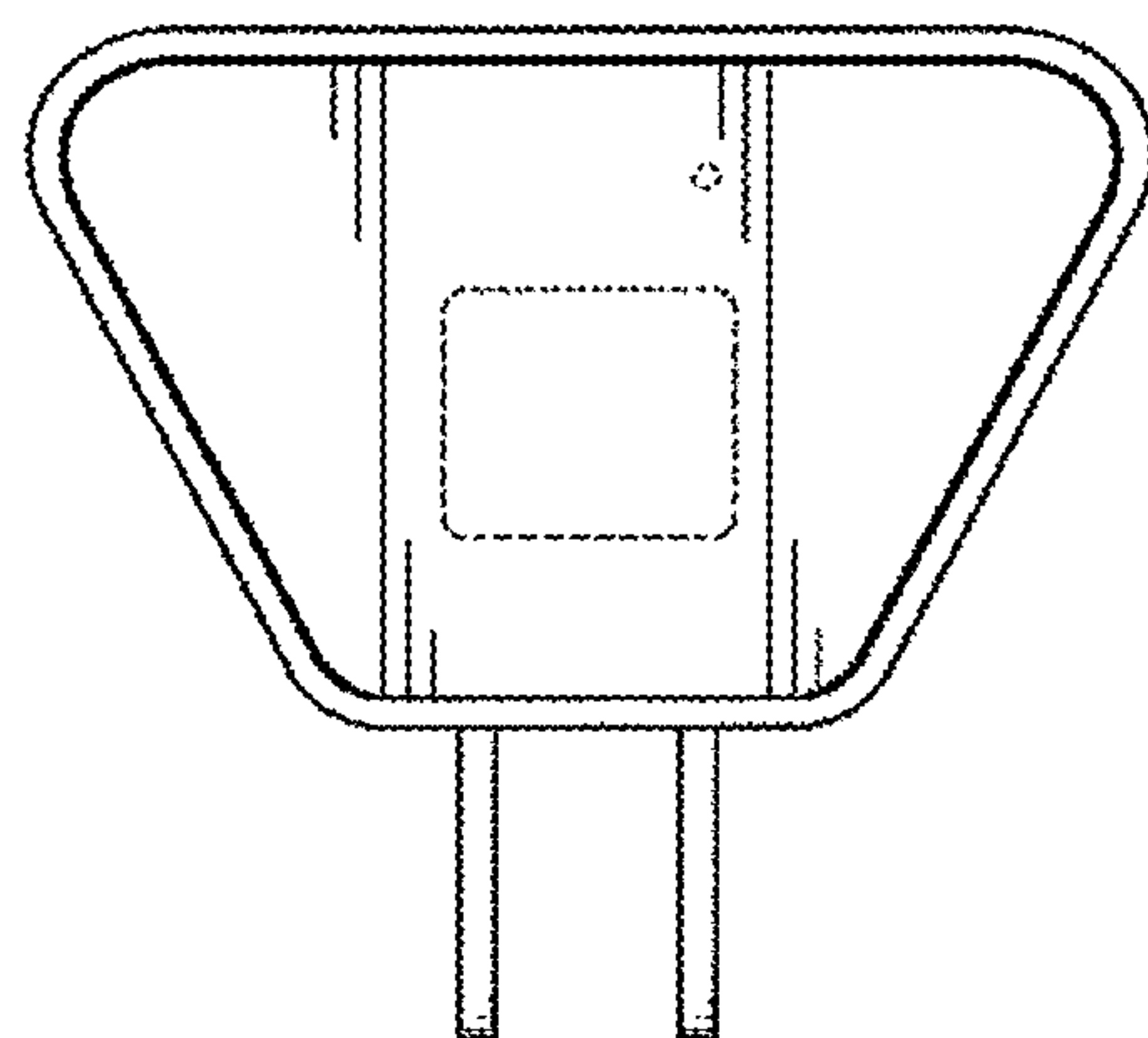


FIG. 19

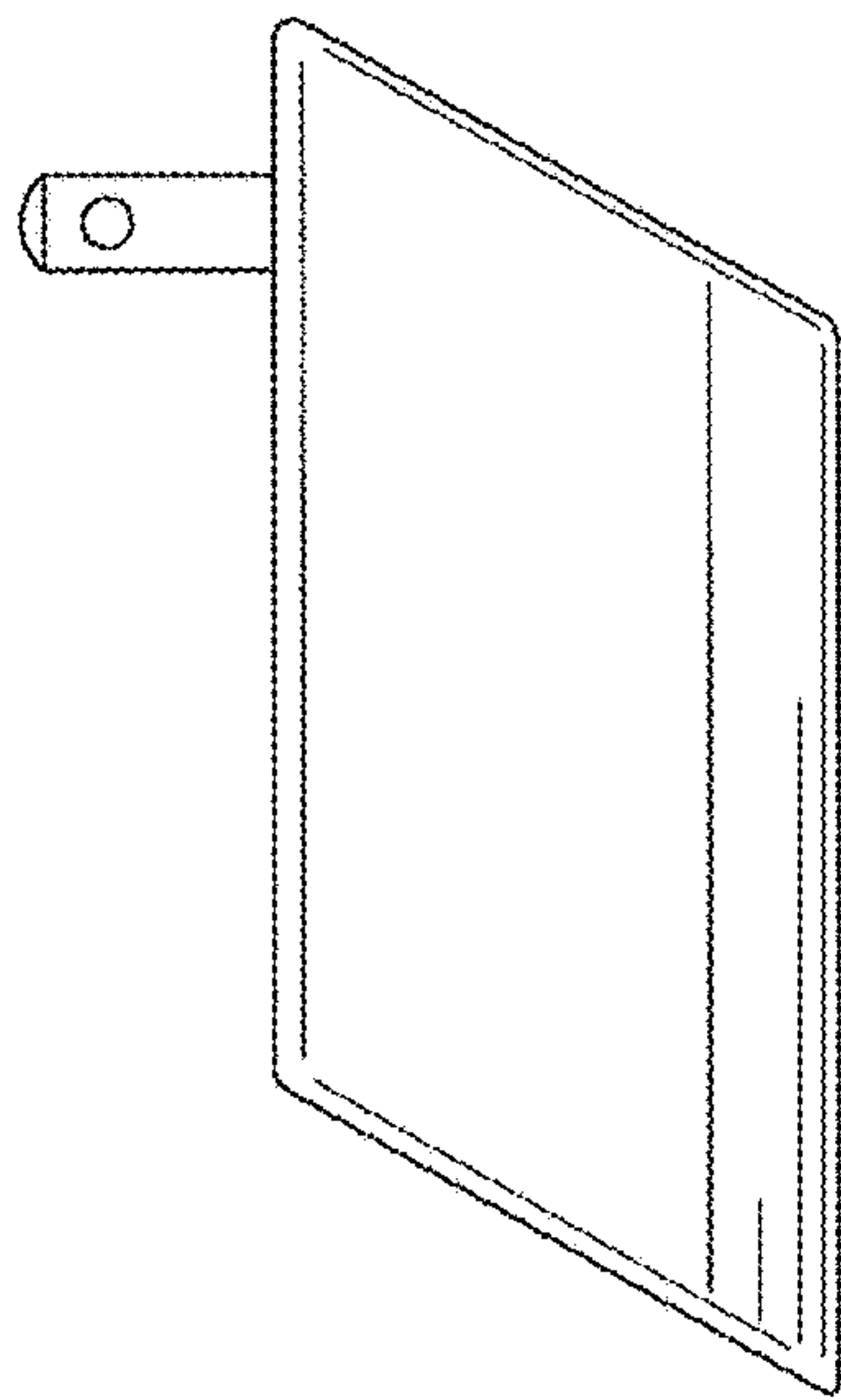


FIG. 20

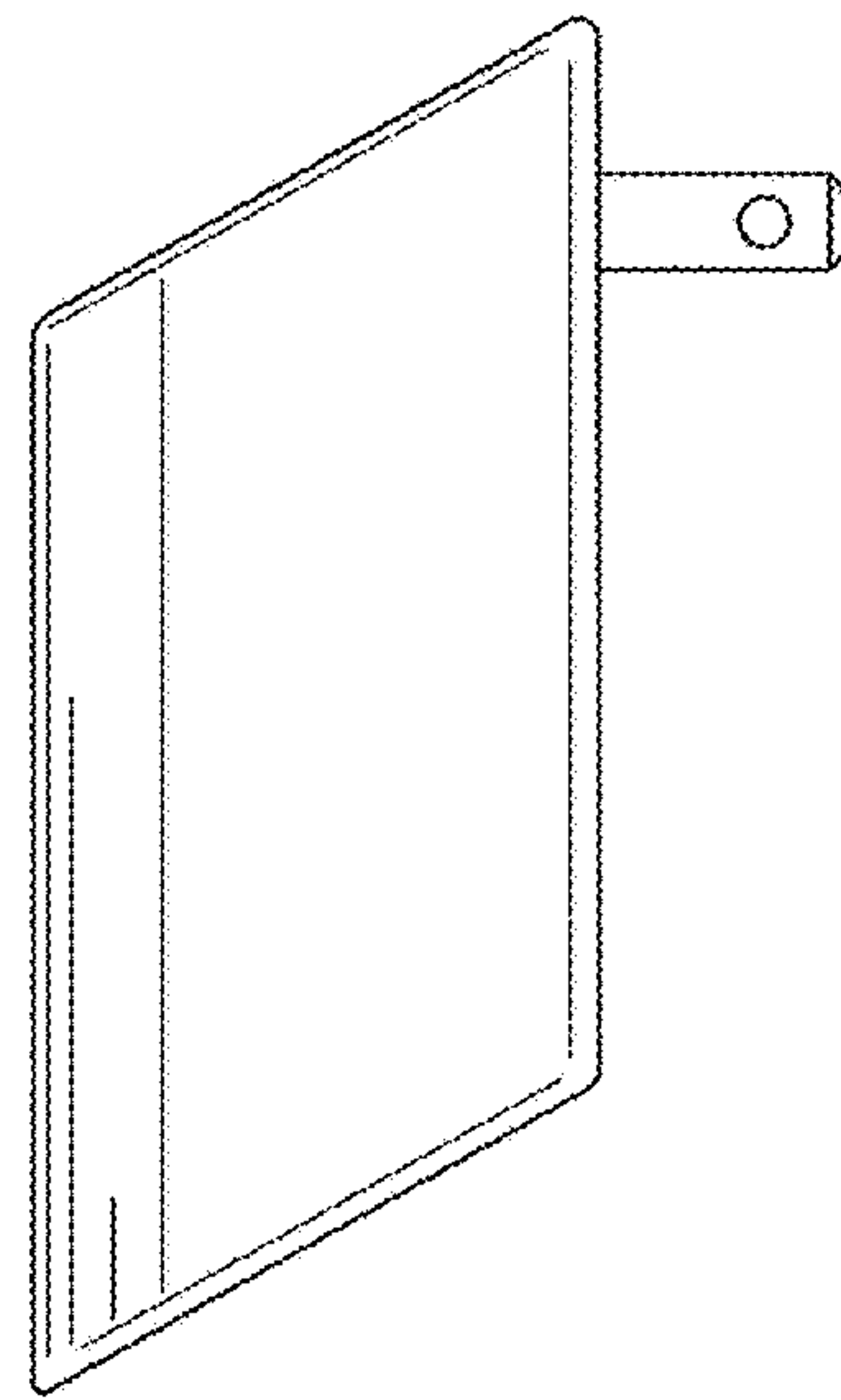


FIG. 21