



US00D801271S

(12) **United States Design Patent**
Tanaka

(10) **Patent No.:** **US D801,271 S**

(45) **Date of Patent:** **** Oct. 31, 2017**

(54) **ELECTRICAL CONNECTOR**

(71) Applicant: **Hosiden Corporation**, Yao-shi, Osaka (JP)

(72) Inventor: **Akihiro Tanaka**, Yao (JP)

(73) Assignee: **HOSIDEN CORPORATION**, Yao-Shi (JP)

(**) Term: **15 Years**

(21) Appl. No.: **29/569,178**

(22) Filed: **Jun. 24, 2016**

(30) **Foreign Application Priority Data**

Jan. 20, 2016 (JP) 2016-000948

(51) **LOC (10) Cl.** **13-03**

(52) **U.S. Cl.**
USPC **D13/133**

(58) **Field of Classification Search**

USPC D13/103, 107, 110, 133, 146, 147, 151,
D13/153, 154, 155, 144, 137.2, 138.1;
D14/433, 435.1; D8/356; D23/262
CPC H01R 13/5845; H01R 13/72; H01R 31/06;
H01R 24/00; H01R 24/28; H01R 12/00;
H01B 11/1808; H01B 11/1839; H01B
11/1008; H01B 7/04; H01B 7/0266;
H01B 7/08; H01B 7/065; H01B 12/08

See application file for complete search history.

(56) **References Cited**

U.S. PATENT DOCUMENTS

D549,660 S * 8/2007 Zenri D13/147
D555,105 S * 11/2007 Victor D13/133
D586,293 S * 2/2009 Fujino D13/133
D699,686 S * 2/2014 Chen D13/154

D713,795 S * 9/2014 Yang D13/147
RE46,006 E * 5/2016 Uekihara D13/110
D779,433 S * 2/2017 Fries D13/133
D784,931 S * 4/2017 Fries D13/153
2012/0322312 A1* 12/2012 Tsai H01R 31/06
439/628
2016/0093987 A1* 3/2016 Wu H01R 13/665
439/620.22

* cited by examiner

Primary Examiner — Rosemary K Tarcza

Assistant Examiner — Christy Nemeth

(74) *Attorney, Agent, or Firm* — Rankin, Hill & Clark
LLP

(57) **CLAIM**

The ornamental design for an electrical connector, as shown and described.

DESCRIPTION

FIG. 1 is a front, left side and top perspective view of an electrical connector of my new design;
FIG. 2 is a rear, right side and bottom perspective view thereof;
FIG. 3 is a front elevation view thereof;
FIG. 4 is a rear elevation view thereof;
FIG. 5 is a left side view thereof;
FIG. 6 is a right side view thereof;
FIG. 7 is a top plan view thereof; and,
FIG. 8 is a bottom plan view thereof.

The electrical connector is shown with a dash-dot symbolic break in its length. The appearance of any portion of the article between the dash-dot break lines forms no part of the claimed design.

The dash-dash broken lines in the drawings are for the purpose of illustrating portions of the electrical connector that form no part of the claimed design.

1 Claim, 4 Drawing Sheets

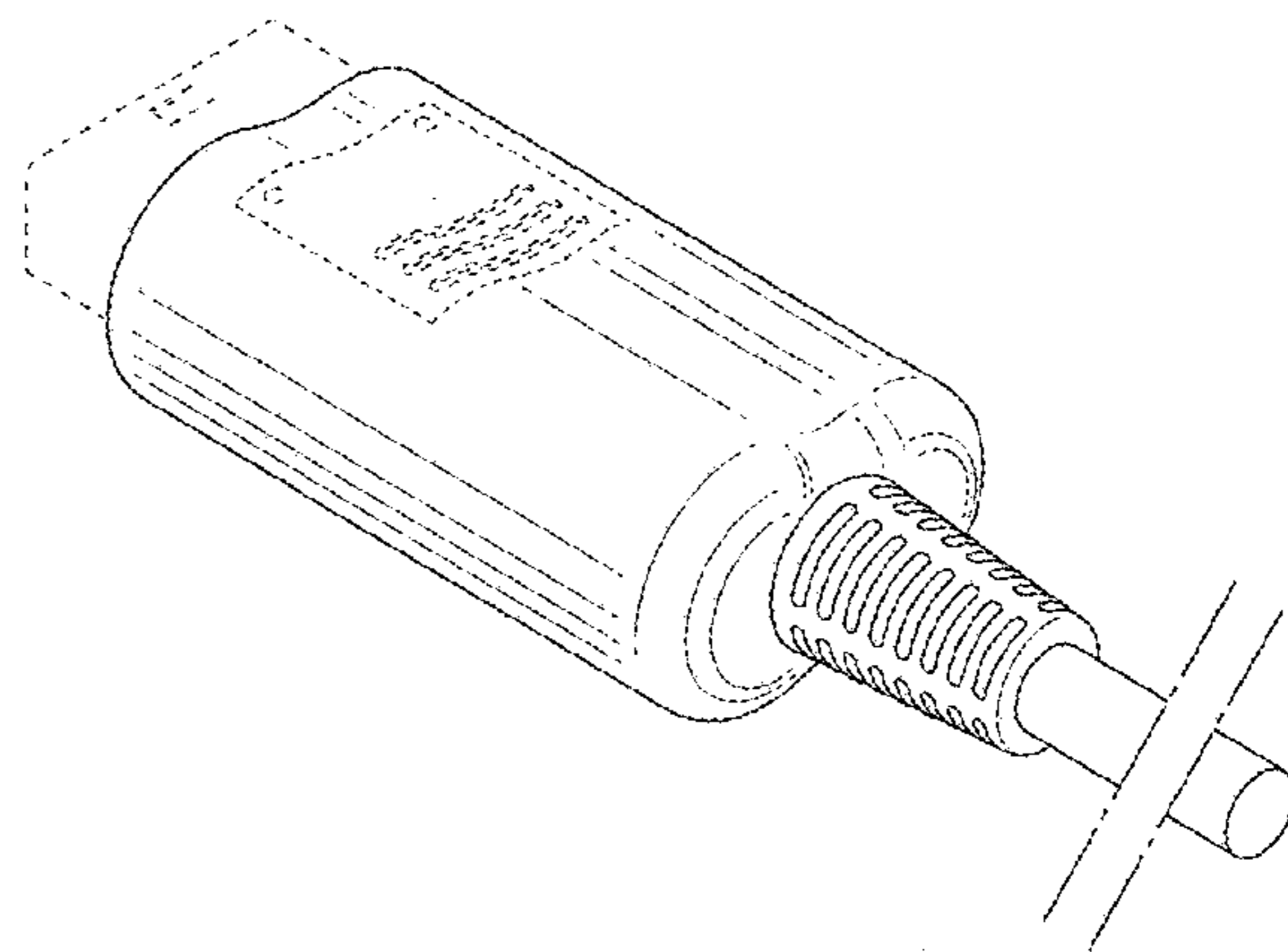
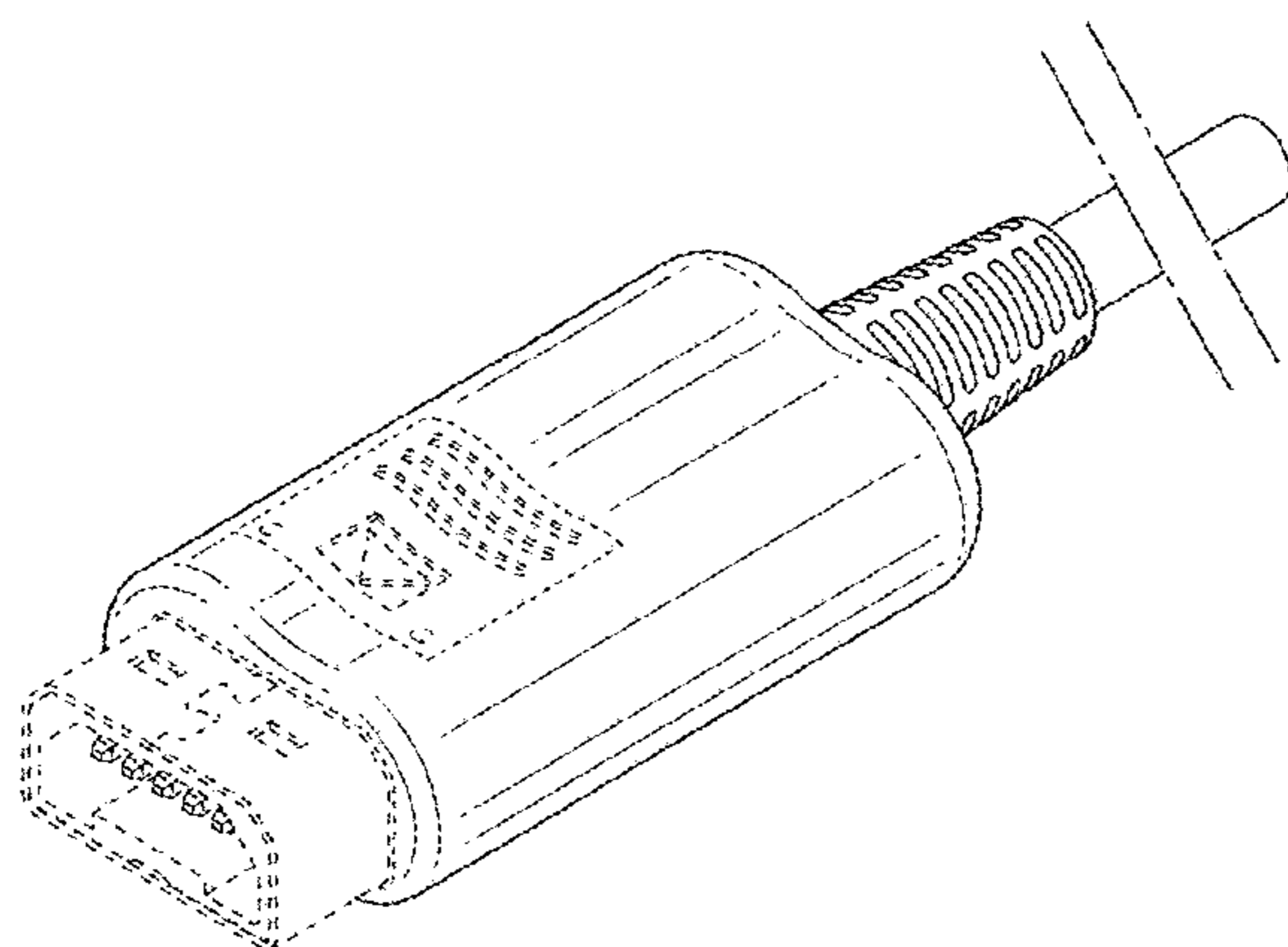


Fig. 1

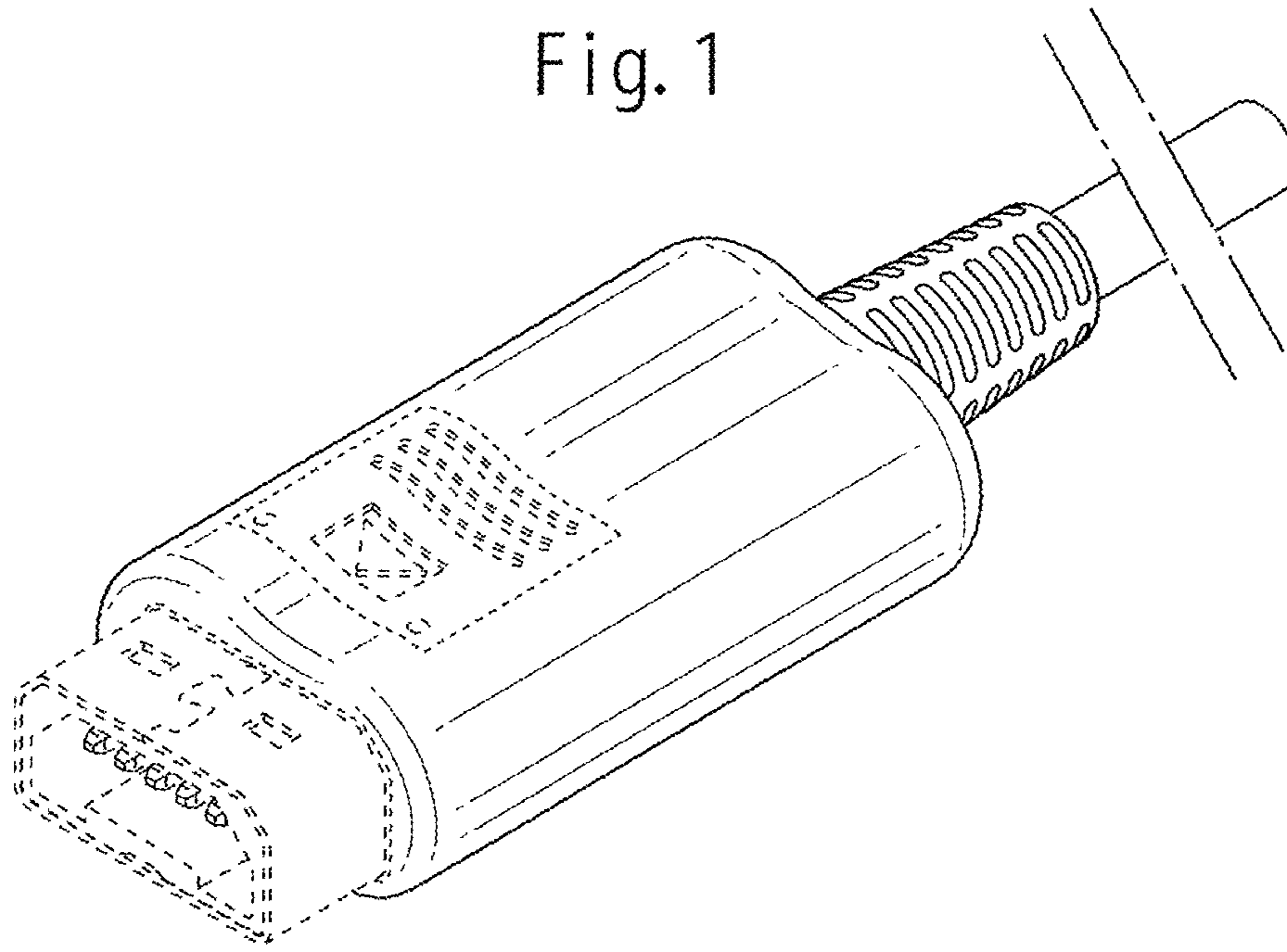


Fig. 2

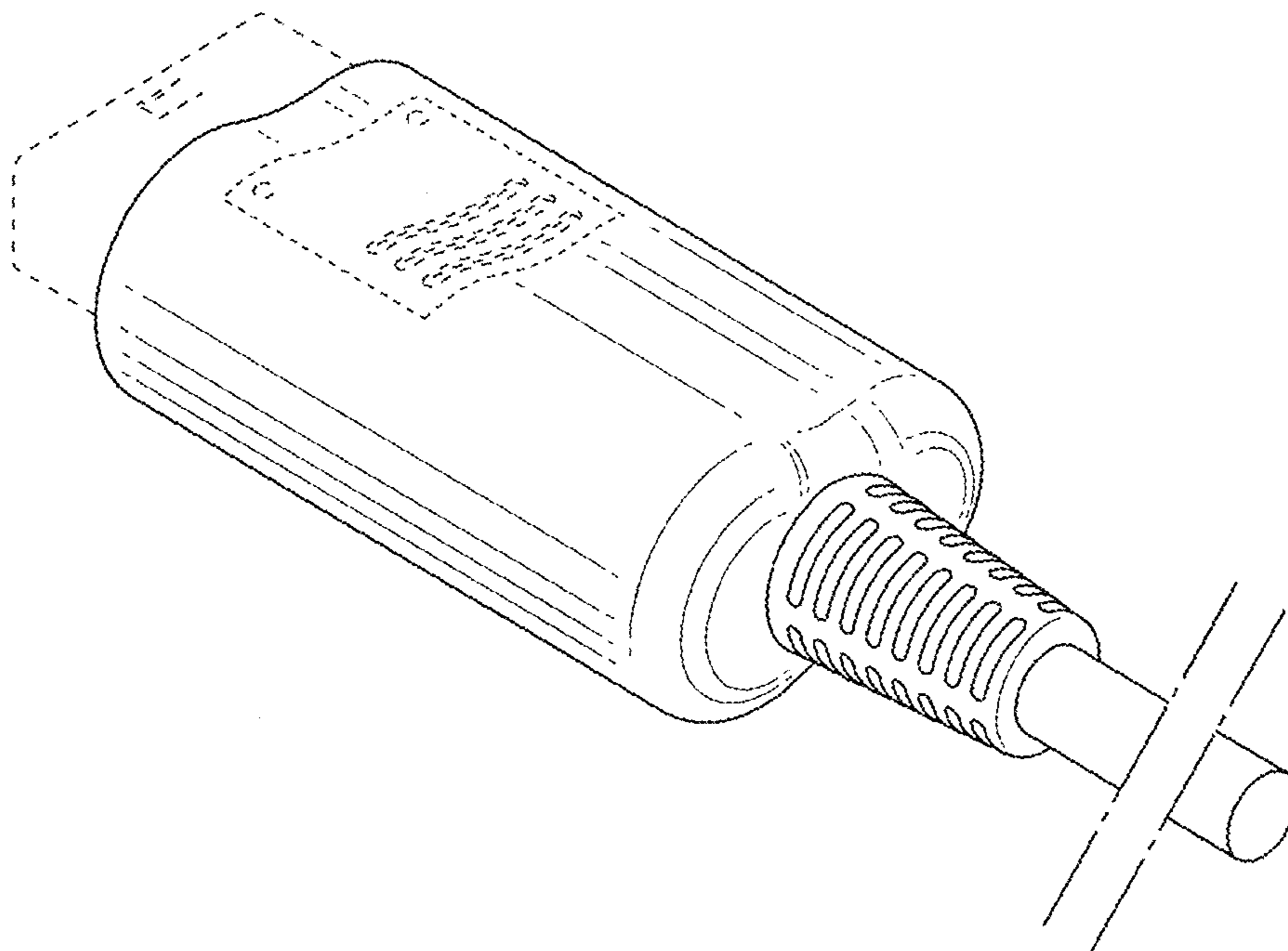


Fig.3

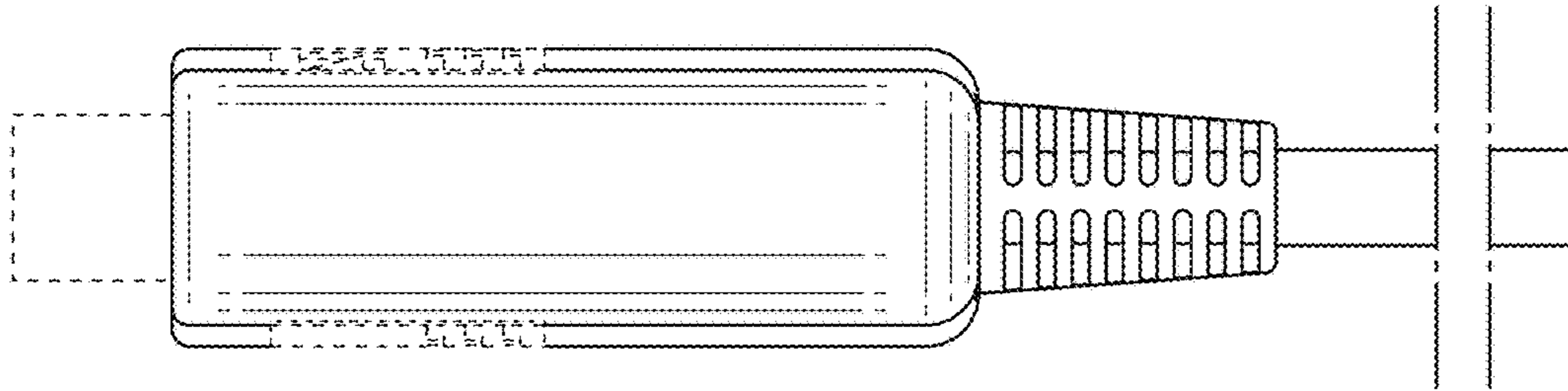


Fig.4

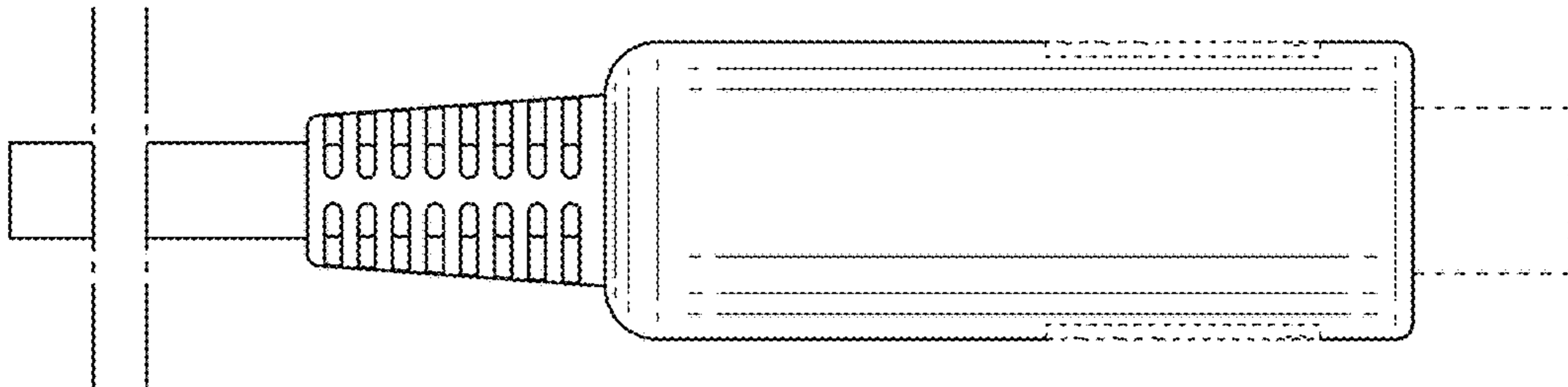


Fig.5

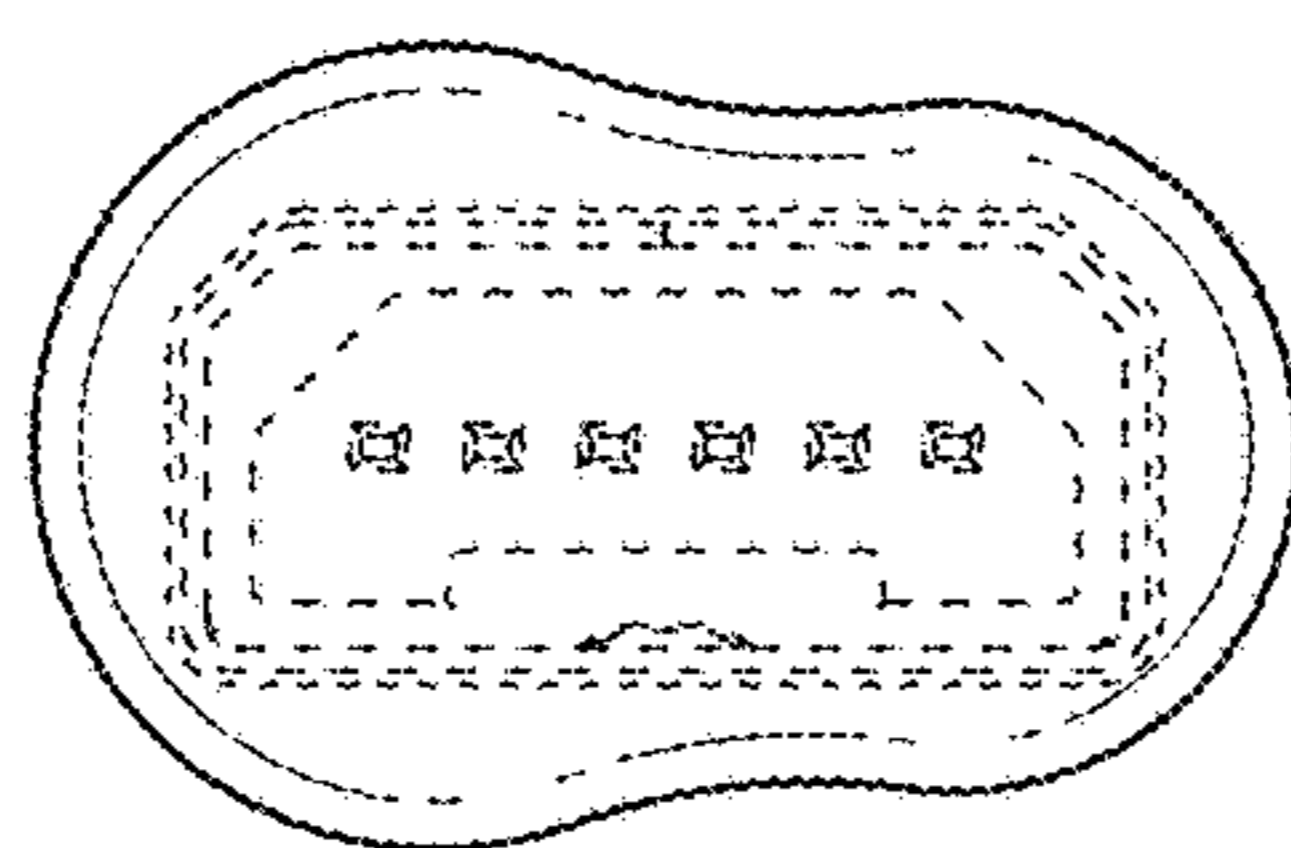


Fig.6

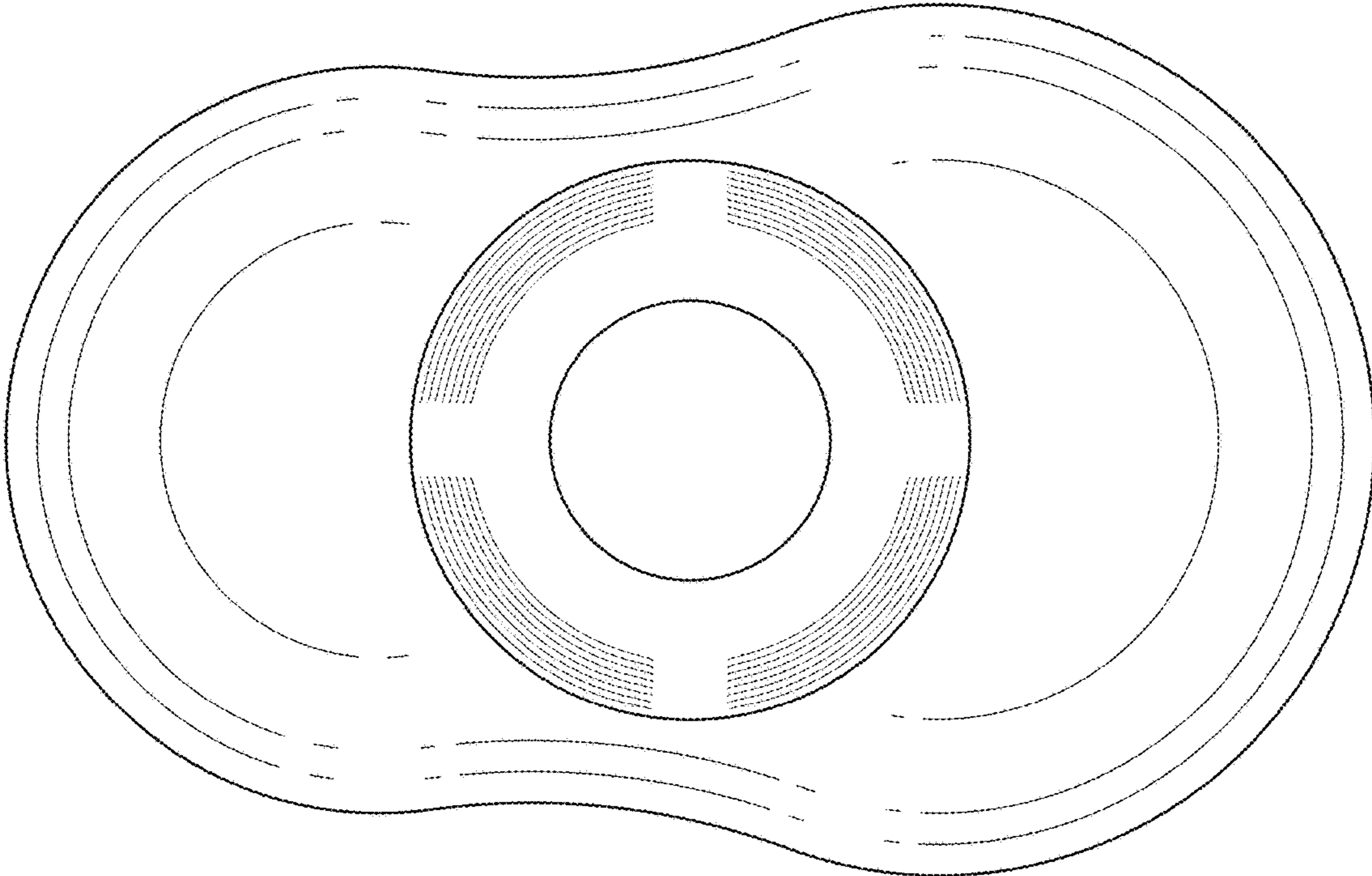


Fig. 7

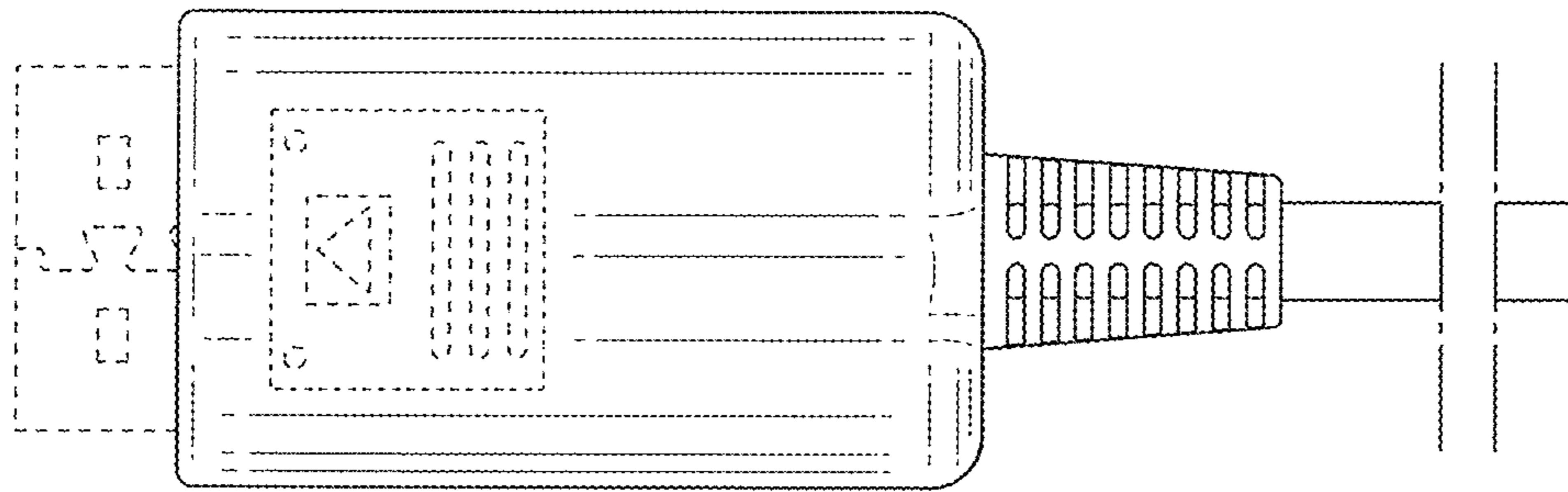


Fig. 8

