



US00D801270S

(12) **United States Design Patent**  
**Li et al.**

(10) **Patent No.:** **US D801,270 S**  
(45) **Date of Patent:** **\*\* Oct. 31, 2017**

- (54) **LAMINATION FOR STATOR OF SINGLE PHASE ELECTRIC MOTOR**
- (71) Applicant: **Johnson Electric S.A.**, Murten (CH)
- (72) Inventors: **Yue Li**, Hong Kong (CN); **Chui You Zhou**, Shenzhen (CN); **Jie Chai**, Shenzhen (CN); **Tao Zhang**, Shenzhen (CN); **Qiang Zhou**, Shenzhen (CN)
- (73) Assignee: **Johnson Electric S.A.**, Murten (CH)
- (\*\*) Term: **15 Years**
- (21) Appl. No.: **29/564,368**
- (22) Filed: **May 12, 2016**

(30) **Foreign Application Priority Data**

Nov. 12, 2015 (CN) ..... 2015 3 0451235

(51) **LOC (10) Cl.** ..... **13-02**

(52) **U.S. Cl.**  
USPC ..... **D13/122**

(58) **Field of Classification Search**  
USPC ..... D13/107, 108, 109, 110, 112, 114, 117, D13/118, 119, 121, 122, 126, 128, 130, D13/132, 148, 173, 184; D15/1, 2, 5, 9, D15/29, 132, 133, 136, 139, 143, 199; D25/61, 138, 199  
CPC .... H02P 5/505; H02P 6/06; H02P 6/08; H02P 6/10; H02P 7/20; H02P 7/24; H02P 7/30; H02P 21/12; H02P 25/24; H02P 25/26; H02P 25/28; H02P 27/024; H02P 27/048; H02P 27/05; H02P 22/07

See application file for complete search history.

(56) **References Cited**

**U.S. PATENT DOCUMENTS**

D557,830 S \* 12/2007 Lee ..... D25/199  
D690,650 S \* 10/2013 Lin ..... D13/122

D696,628 S *	12/2013	Hutchinson	.....	D13/114
D703,249 S *	4/2014	Pinchot	.....	D15/139
D705,165 S *	5/2014	Canon	.....	D13/114
D736,420 S *	8/2015	Somerfield	.....	D25/199
D739,039 S *	9/2015	Gomes	.....	D25/138
D741,921 S *	10/2015	Jarvius	.....	D15/136
D741,922 S *	10/2015	Cowley	.....	D15/136
D768,220 S *	10/2016	Kinoshita	.....	D15/199
D777,212 S *	1/2017	Turuvekere Gurudatt	.....	D15/5
D786,936 S *	5/2017	Manning	.....	D15/5
D788,944 S *	6/2017	Gomes	.....	D25/61
D792,911 S *	7/2017	Kendall	.....	D15/5
2007/0007848 A1 *	1/2007	Takeuchi	.....	F04D 25/066 310/268
2009/0189552 A1 *	7/2009	Mizumaki	.....	H02P 6/08 318/400.1
2010/0052590 A1 *	3/2010	Brattoli	.....	G01R 21/06 318/490
2011/0037422 A1 *	2/2011	Pollock	.....	H02P 6/10 318/400.34

(Continued)

*Primary Examiner* — Manpreet S Matharu

*Assistant Examiner* — Suzanne E Tisdell

(74) *Attorney, Agent, or Firm* — Muncy, Geissler, Olds & Lowe, P.C.

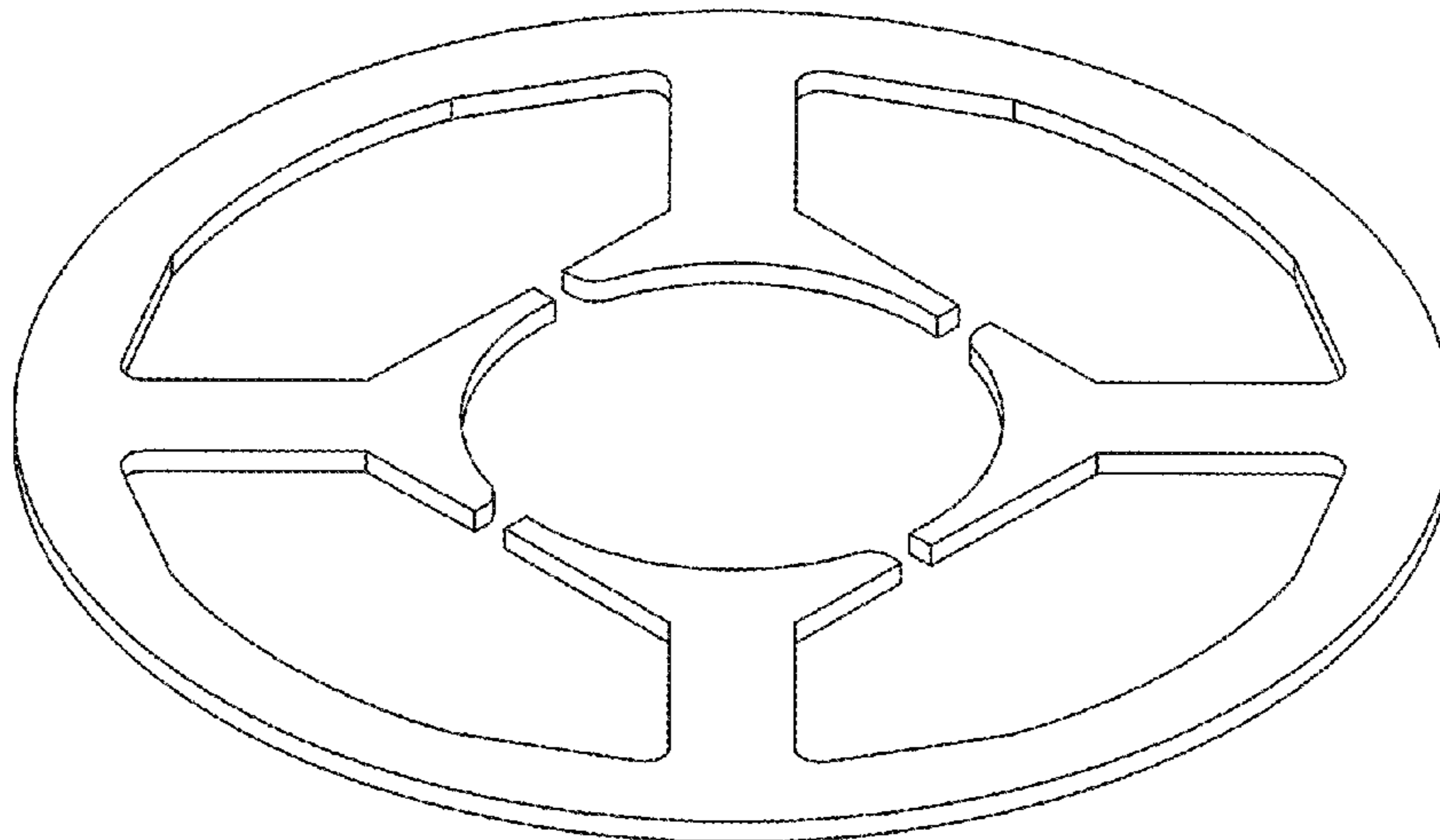
(57) **CLAIM**

The ornamental design for a lamination for stator of single phase electric motor, as shown and described.

**DESCRIPTION**

FIG. 1 is a perspective view of our new design for a lamination for stator of single phase electric motor; FIG. 2 is a front elevational view thereof; FIG. 3 is a rear elevational view thereof; FIG. 4 is a left side view thereof; FIG. 5 is a right side view thereof; FIG. 6 is a top plan view thereof; and, FIG. 7 is a bottom plan view thereof.

**1 Claim, 7 Drawing Sheets**



(56)

**References Cited**

U.S. PATENT DOCUMENTS

2012/0119690 A1\* 5/2012 Nishiyama ..... H02K 1/146  
318/724  
2013/0093265 A1\* 4/2013 Hunter ..... H02K 41/0356  
310/12.15  
2015/0115851 A1\* 4/2015 Zhao ..... H02P 6/08  
318/400.06  
2015/0207439 A1\* 7/2015 Ye ..... H02P 25/098  
318/400.23  
2015/0365023 A1\* 12/2015 Schock ..... H02P 6/085  
318/400.3  
2016/0079889 A1\* 3/2016 Pietromonaco ..... H02K 11/22  
318/400.3  
2016/0079894 A1\* 3/2016 Nessel ..... H02P 6/16  
318/400.26  
2016/0082772 A1\* 3/2016 Biderman ..... A61G 5/045  
301/6.5  
2016/0291445 A1\* 10/2016 Fisher, Sr. .... G03B 15/006  
2017/0163181 A1\* 6/2017 Namuduri ..... H02P 6/06

\* cited by examiner

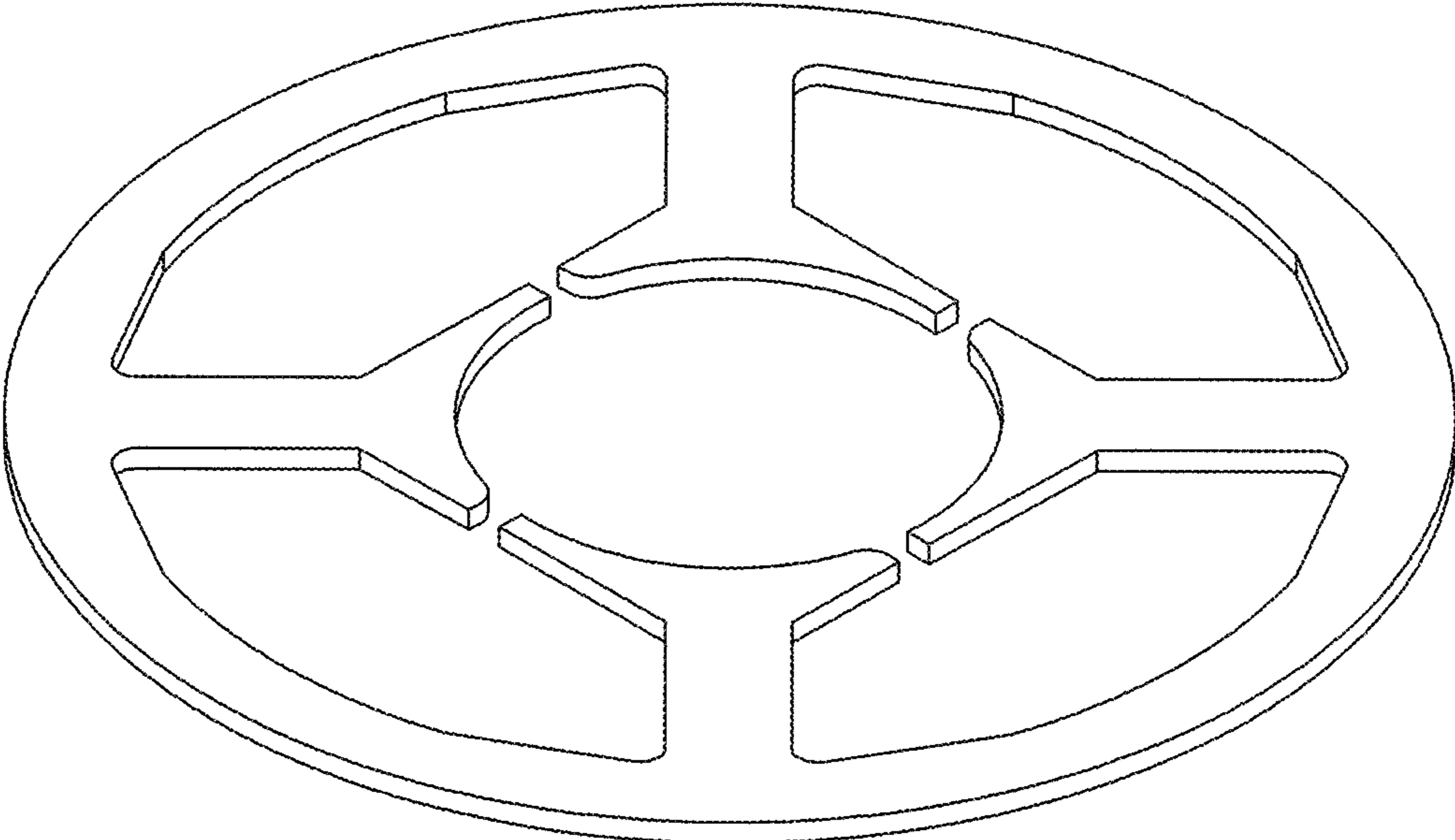


FIG. 1

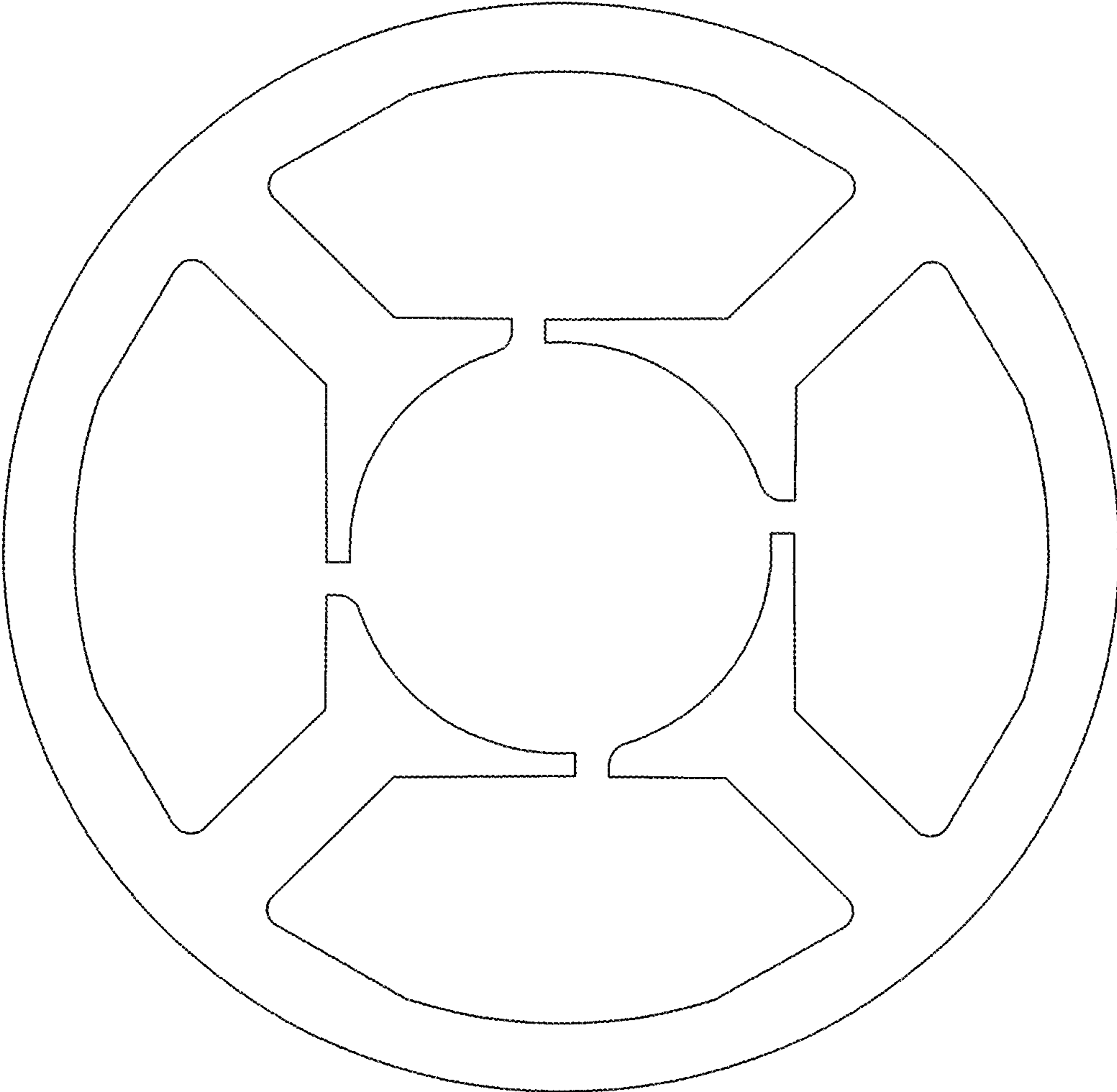


FIG. 2

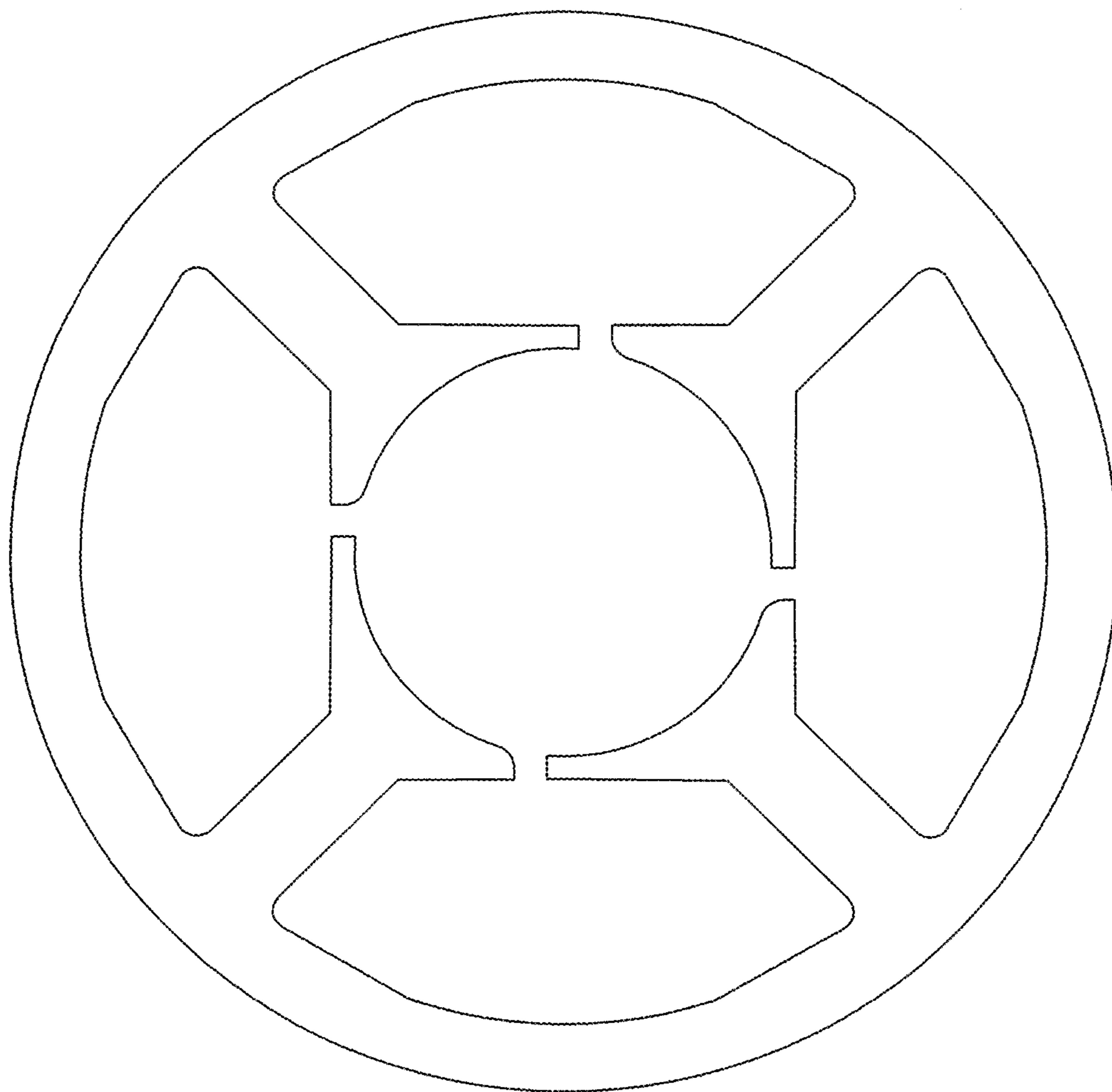


FIG. 3



FIG. 4



FIG. 5



FIG. 6



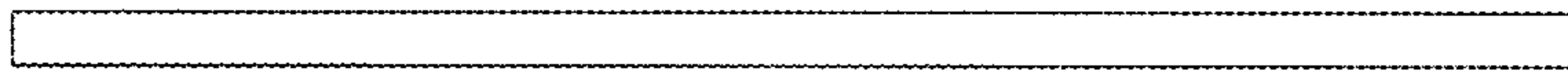


FIG. 7