



US00D801266S

(12) **United States Design Patent** (10) **Patent No.:** **US D801,266 S**  
**Nam** (45) **Date of Patent:** **\*\* Oct. 31, 2017**

(54) **PORTABLE POWER PRODUCT**  
(71) Applicant: **Hewlett-Packard Development Company, L.P.**, Houston, TX (US)  
(72) Inventor: **Youjin Nam**, Houston, TX (US)  
(73) Assignee: **Hewlett-Packard Development Company, L.P.**, Houston, TX (US)  
(\*\*) Term: **14 Years**  
(21) Appl. No.: **29/519,293**  
(22) Filed: **Mar. 4, 2015**  
(51) **LOC (10) Cl.** ..... **13-02**  
(52) **U.S. Cl.**  
USPC ..... **D13/110**  
(58) **Field of Classification Search**  
USPC ..... D13/110, 107, 108, 118, 119, 123, 133, D13/137.1, 184, 199; D14/242, 251, 432, D14/433, 434; 174/53, 54, 59, 61; 307/11, 150, 151; 320/107, 111, 112, 320/113, 114, 115; 361/679.01; 363/142, 146; 439/131, 172, 626, 628, 439/638; D3/205, 226, 232, 233, 245, D3/246, 263, 267, 274, 284, 301  
CPC ..... H01R 31/06; H01R 25/00; H02M 7/003; H05K 7/1432; H02J 7/0044; H02J 7/0045; H02J 7/0052; H02J 7/0054; H02J 7/0062; H02J 7/355; A45C 11/00; A45C 13/26; A45C 13/262; Y10T 16/50; Y10T 16/499; Y10T 16/513  
See application file for complete search history.

(56) **References Cited**  
U.S. PATENT DOCUMENTS  
D453,416 S \* 2/2002 Terry ..... D3/205  
D544,834 S \* 6/2007 Weinstein ..... D13/110  
D559,178 S \* 1/2008 Ashida ..... D13/110

D575,730 S \* 8/2008 Hung ..... D13/110  
D664,352 S \* 7/2012 Shamoan ..... D3/226  
D672,715 S \* 12/2012 Brunner ..... D13/110  
D678,187 S \* 3/2013 Huang ..... D13/103  
D723,267 S \* 3/2015 Basha ..... D3/232  
D748,915 S \* 2/2016 Reyes ..... D3/301  
2005/0126873 A1\* 6/2005 Matsumoto ..... A45C 13/26  
190/115  
2011/0204843 A1\* 8/2011 Foster ..... A45C 11/00  
320/101  
2015/0270728 A1\* 9/2015 Williams ..... H02J 7/0054  
320/111

\* cited by examiner

*Primary Examiner* — Derrick Holland  
(74) *Attorney, Agent, or Firm* — HP Inc. Patent Department

(57) **CLAIM**

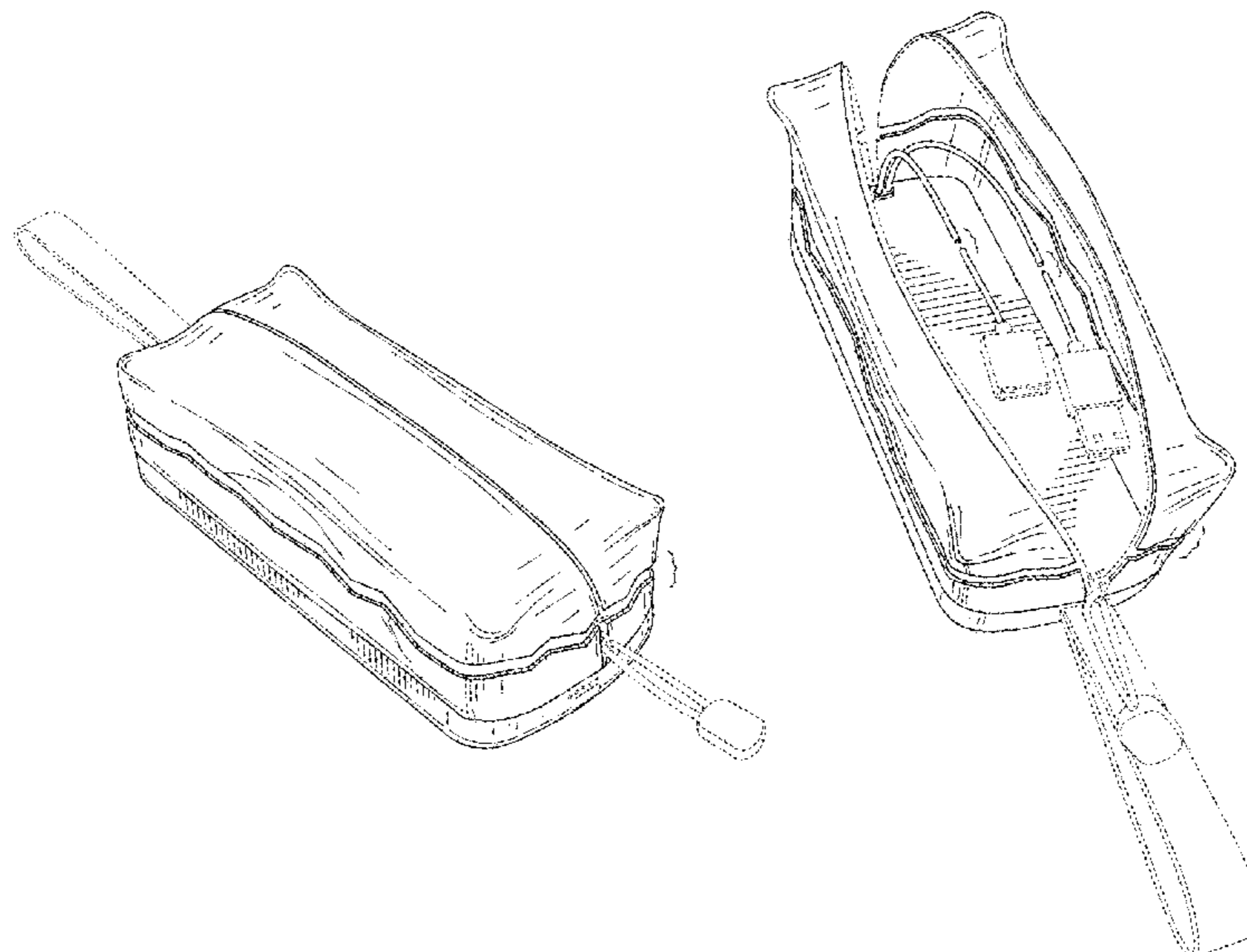
I claim the ornamental design for a portable power product, as shown and described.

**DESCRIPTION**

FIG. 1 is a top, front, left perspective view of a portable power product showing my new design;  
FIG. 2 is a left side elevation view thereof;  
FIG. 3 is a right side elevation view thereof;  
FIG. 4 is a rear elevation view thereof;  
FIG. 5 is a front elevation view thereof;  
FIG. 6 is a top plan view thereof;  
FIG. 7 is a bottom plan view thereof; and,  
FIG. 8 is a top, rear, right perspective view thereof, in an open position.

The ornamental design which is claimed is shown in solid lines in the drawings. The broken lines formed by dashes show unclaimed subject matter and form no part of the claimed design. The broken away symbols in the drawings indicate the appearance of any portion of the article between the break lines forms no part of the claimed design.

**1 Claim, 5 Drawing Sheets**



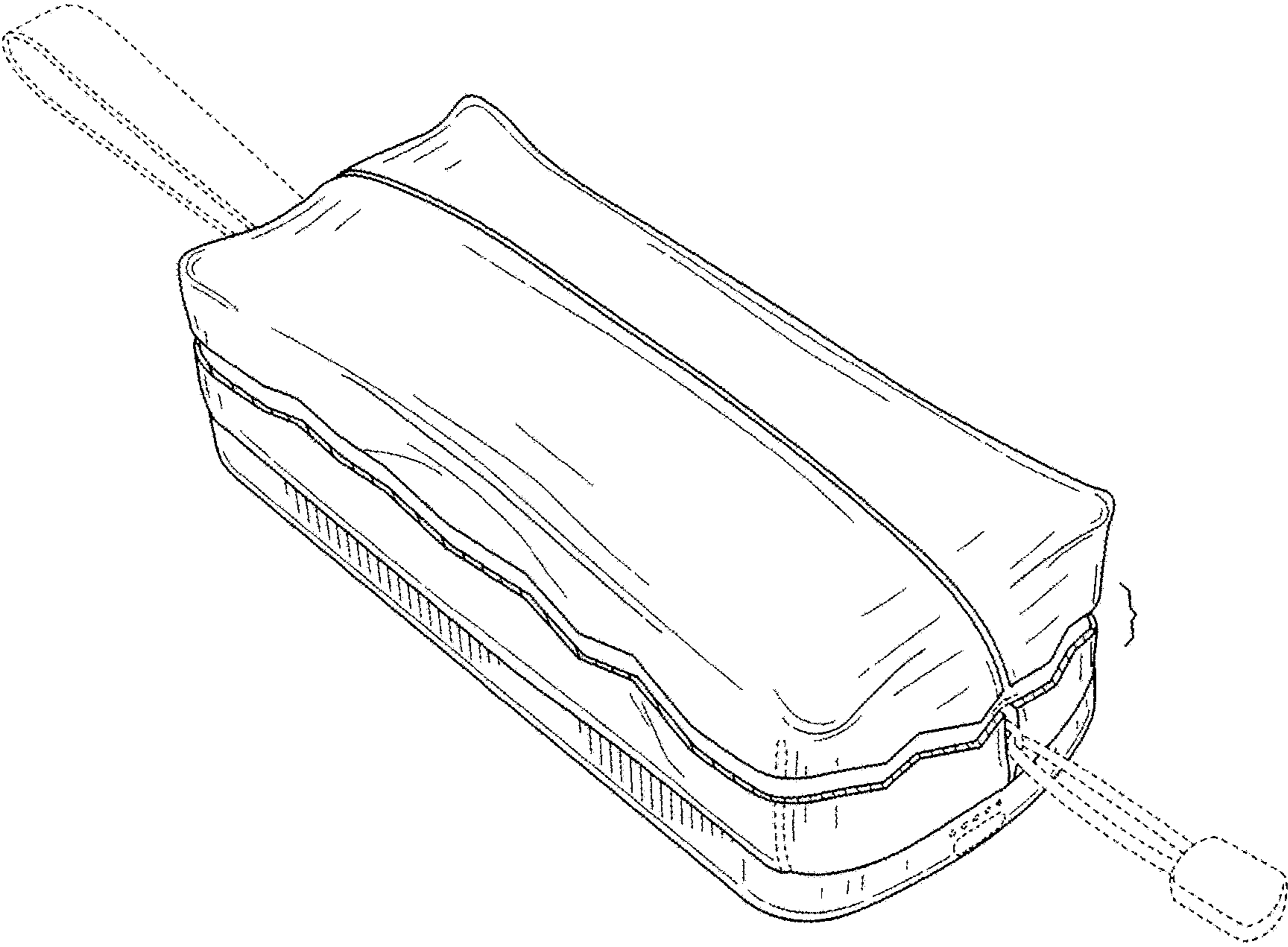


FIG. 1

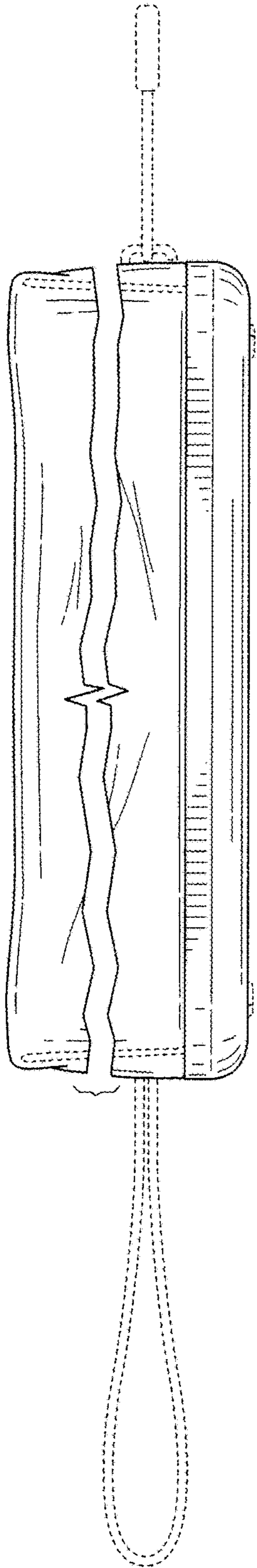


FIG. 2

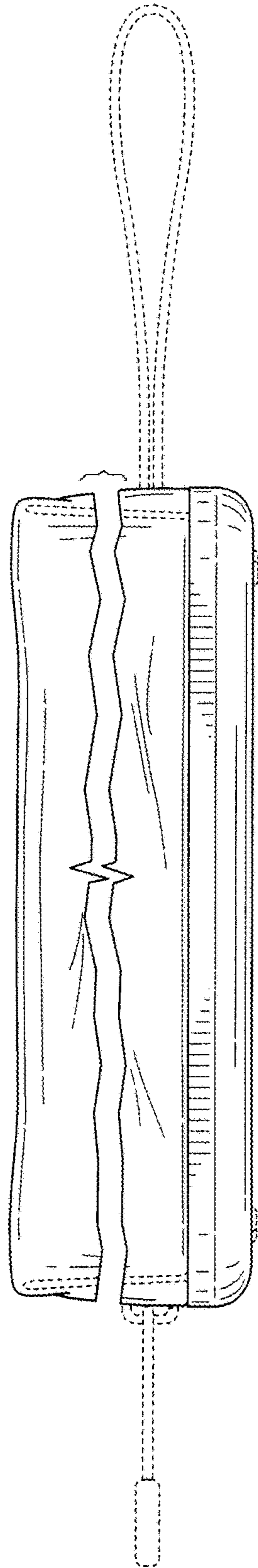
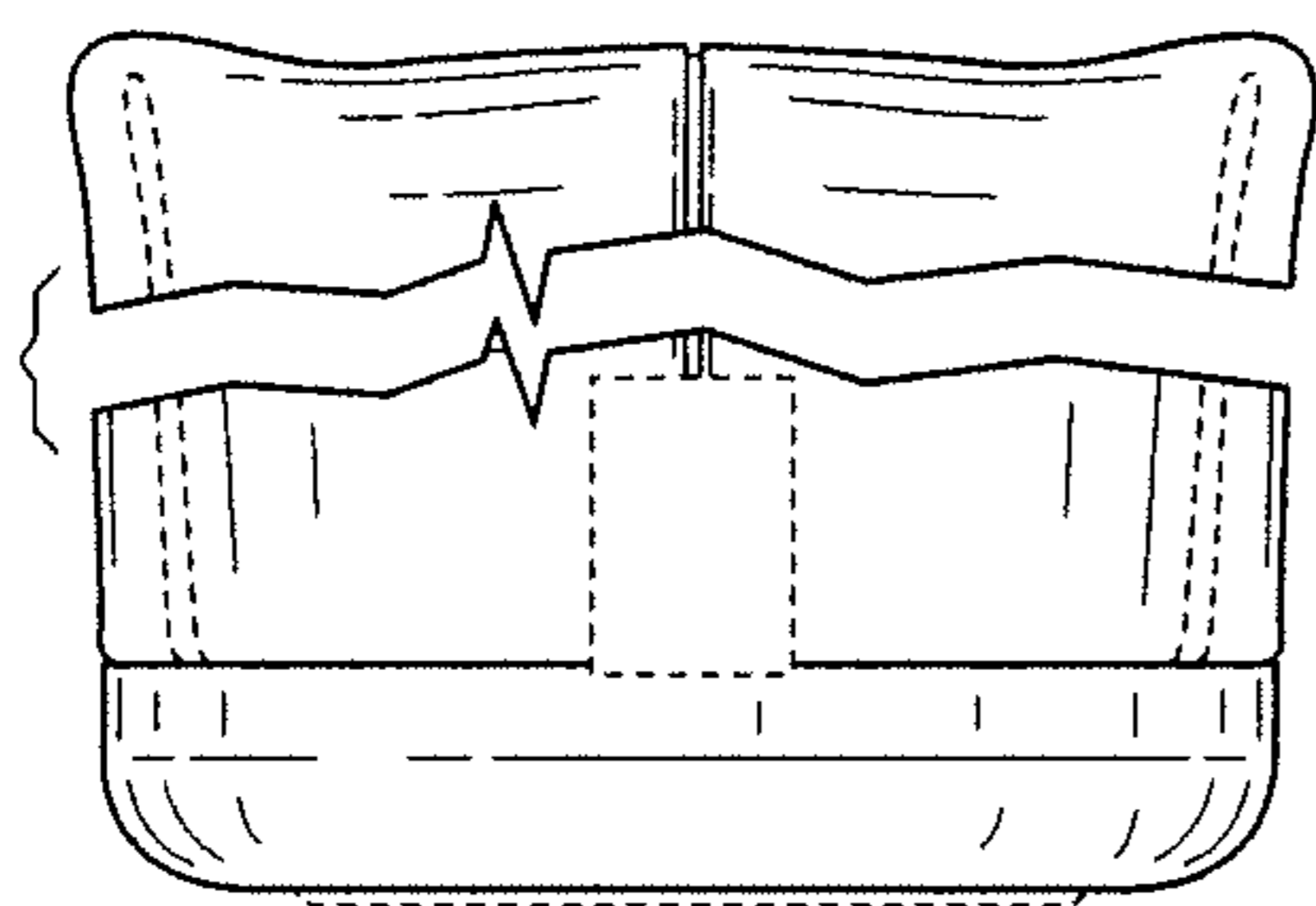
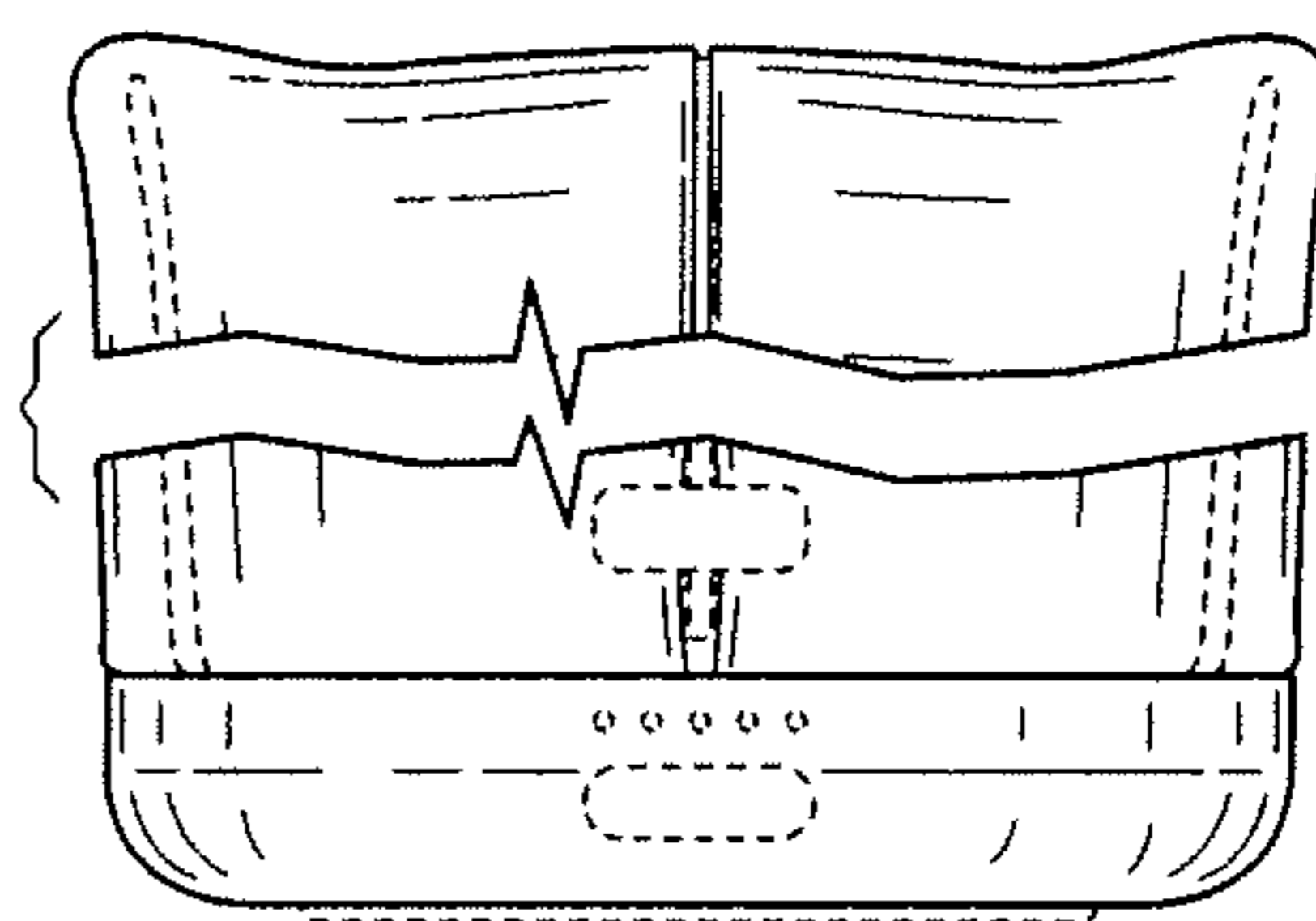


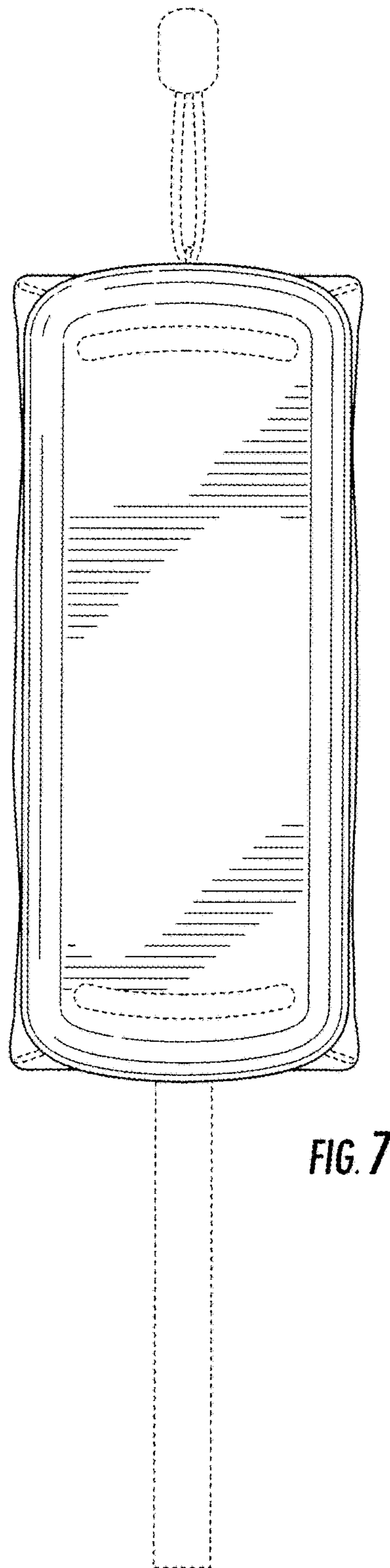
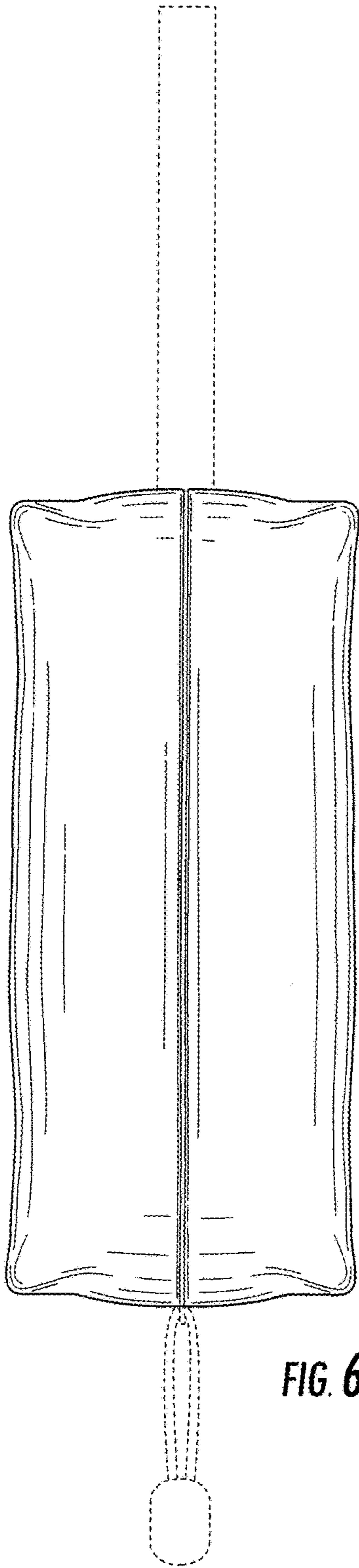
FIG. 3



**FIG. 4**



**FIG. 5**



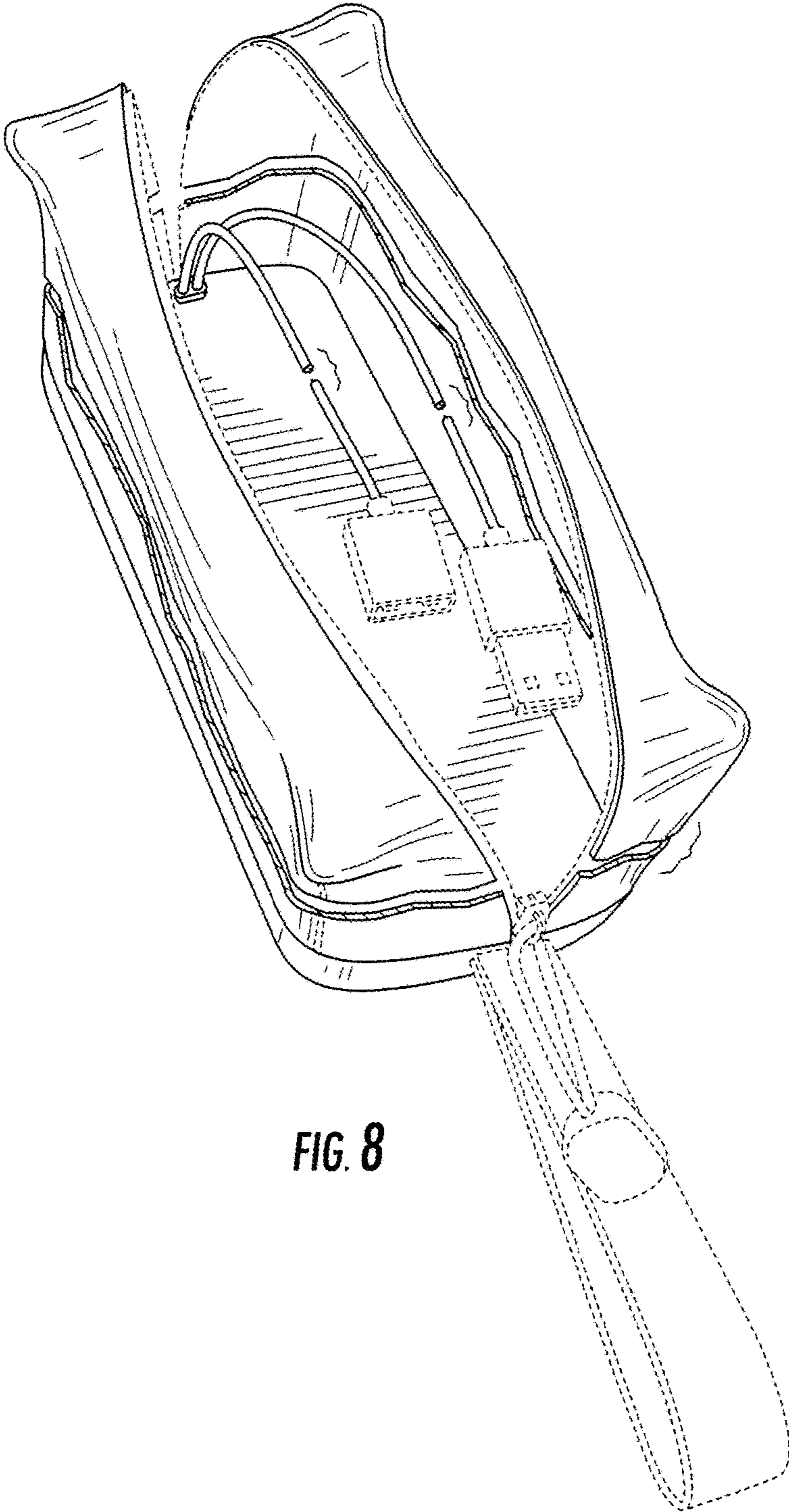


FIG. 8