



US00D801255S

(12) **United States Design Patent** (10) **Patent No.:** **US D801,255 S**  
**Mendez** (45) **Date of Patent:** **\*\* Oct. 31, 2017**

(54) **VEHICLE ID HOLDER**

(71) Applicant: **Winston G. Mendez**, Hollywood, FL (US)

(72) Inventor: **Winston G. Mendez**, Hollywood, FL (US)

(\*\*) Term: **15 Years**

(21) Appl. No.: **29/607,982**

(22) Filed: **Jun. 19, 2017**

**Related U.S. Application Data**

(62) Division of application No. 29/583,394, filed on Nov. 4, 2016, now Pat. No. Des. 793,332.

(51) **LOC (10) Cl.** ..... **12-16**

(52) **U.S. Cl.**  
USPC ..... **D12/415**

(58) **Field of Classification Search**  
USPC ..... D12/415, 416-420, 400, 191, 106, 195, D12/192, 345, 96, 99  
CPC .... B60R 7/06; B60R 11/02; B60R 2011/0005  
See application file for complete search history.

(56) **References Cited**

**U.S. PATENT DOCUMENTS**

D628,531 S *	12/2010	Benedetti	.....	D12/415
D676,371 S *	2/2013	Son	.....	D12/415
D715,284 S *	10/2014	Iwamoto	.....	D12/415
D716,215 S *	10/2014	Dunn	.....	D12/415
D735,112 S *	7/2015	Deng	.....	D12/415
9,132,779 B2 *	9/2015	Azadi	.....	B60R 11/04
9,283,900 B2 *	3/2016	DeLine	.....	B60Q 3/023

(Continued)

Primary Examiner — Katrina A Betton

(74) *Attorney, Agent, or Firm* — Nancy J. Flint, Esq.; Nancy J. Flint, Attorney At Law, P.A.

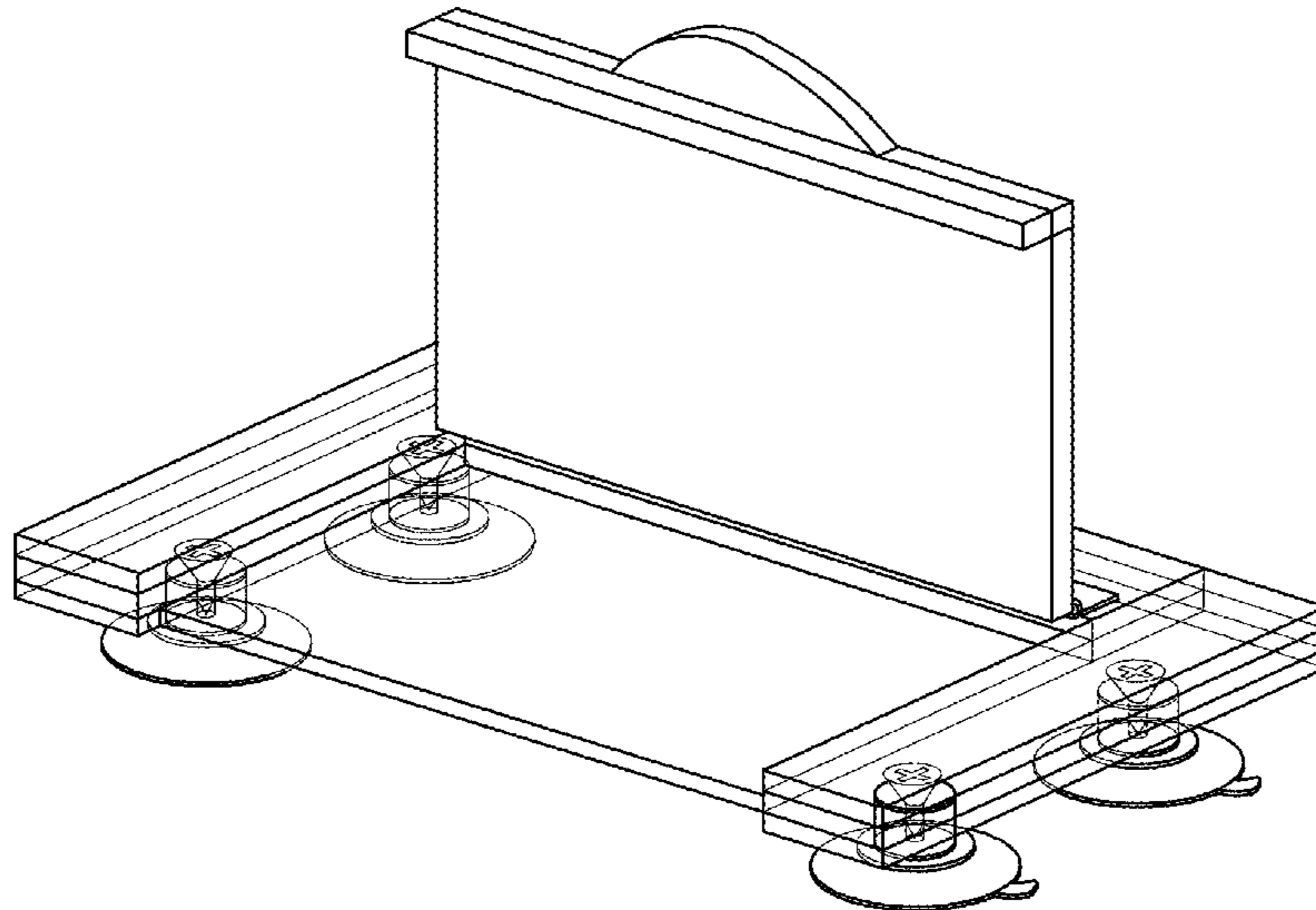
(57) **CLAIM**

The ornamental design for a vehicle ID holder, as shown and described.

**DESCRIPTION**

FIG. 1 is a top perspective view of a vehicle ID holder in its closed position;  
 FIG. 2 is a top view of the vehicle ID holder in its closed position;  
 FIG. 3 is a bottom view of the vehicle ID holder in its closed position;  
 FIG. 4 is a front view of the vehicle ID holder in its closed position;  
 FIG. 5 is a rear view of the vehicle ID holder in its closed position;  
 FIG. 6 is a right side view of the vehicle ID holder in its closed position;  
 FIG. 7 is a top perspective view of the vehicle ID holder in its closed position as attached to the dashboard of a vehicle;  
 FIG. 8 is a top perspective view of the vehicle ID holder in its open position;  
 FIG. 9 is a top view of the vehicle ID holder in its open position;  
 FIG. 10 is a bottom view of the vehicle ID holder in its open position;  
 FIG. 11 is a front view of the vehicle ID holder in its open position;  
 FIG. 12 is a rear view of the vehicle ID holder in its open position;  
 FIG. 13 is a right side view of the vehicle ID holder in its open position; and,  
 FIG. 14 is a top perspective view of the vehicle ID holder in its open position and holding ID papers as attached to the dashboard of a vehicle.  
 Left side views not shown are mirror images of right side views. Any broken lines illustrative of environmental structure in the drawings are not part of the design sought to be patented.

**1 Claim, 9 Drawing Sheets**



(56)

**References Cited**

U.S. PATENT DOCUMENTS

D765,016 S \* 8/2016 Azadi ..... D12/415  
D767,556 S \* 9/2016 Lee ..... D12/415  
9,473,607 B2 \* 10/2016 An ..... H04M 1/11  
9,505,355 B1 \* 11/2016 Cho ..... B60R 11/0241  
D778,713 S \* 2/2017 McSweyn ..... D12/415

\* cited by examiner

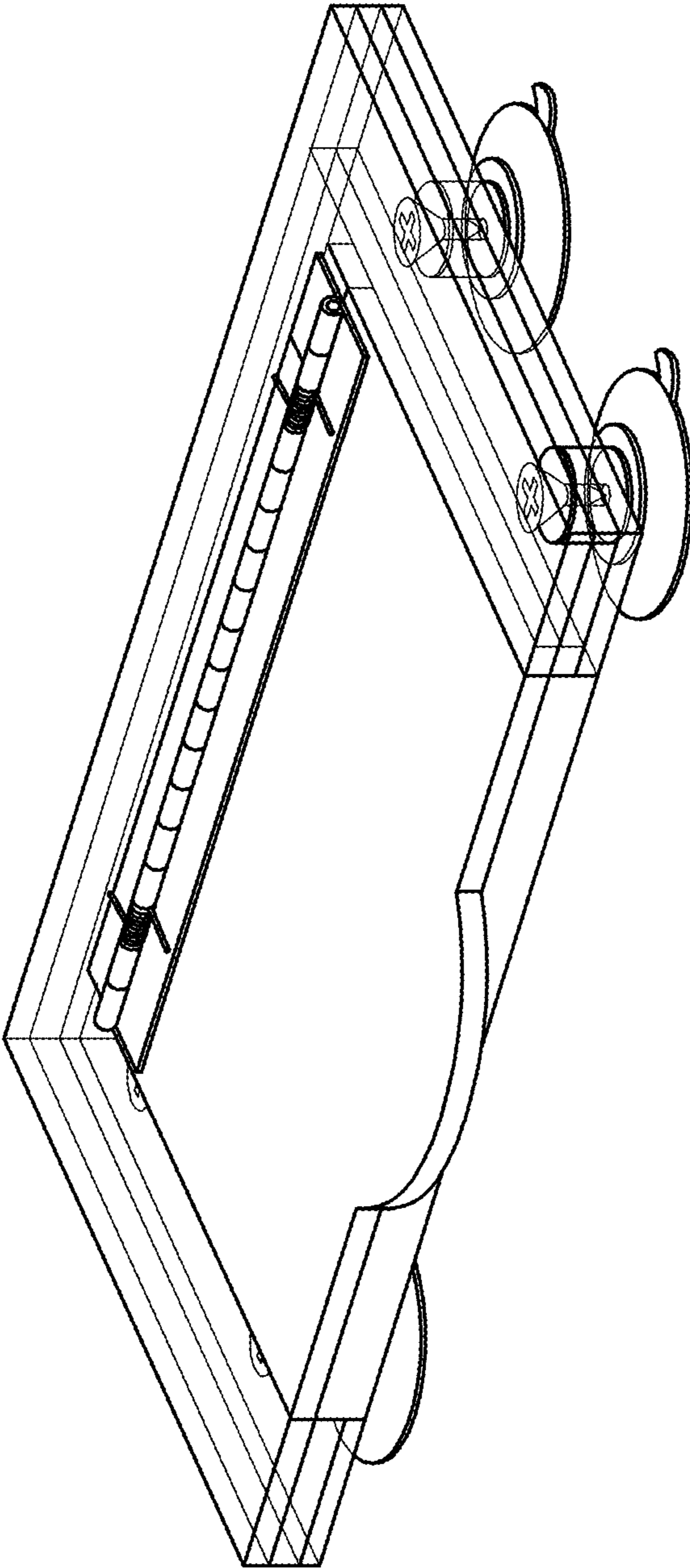


FIG. 1

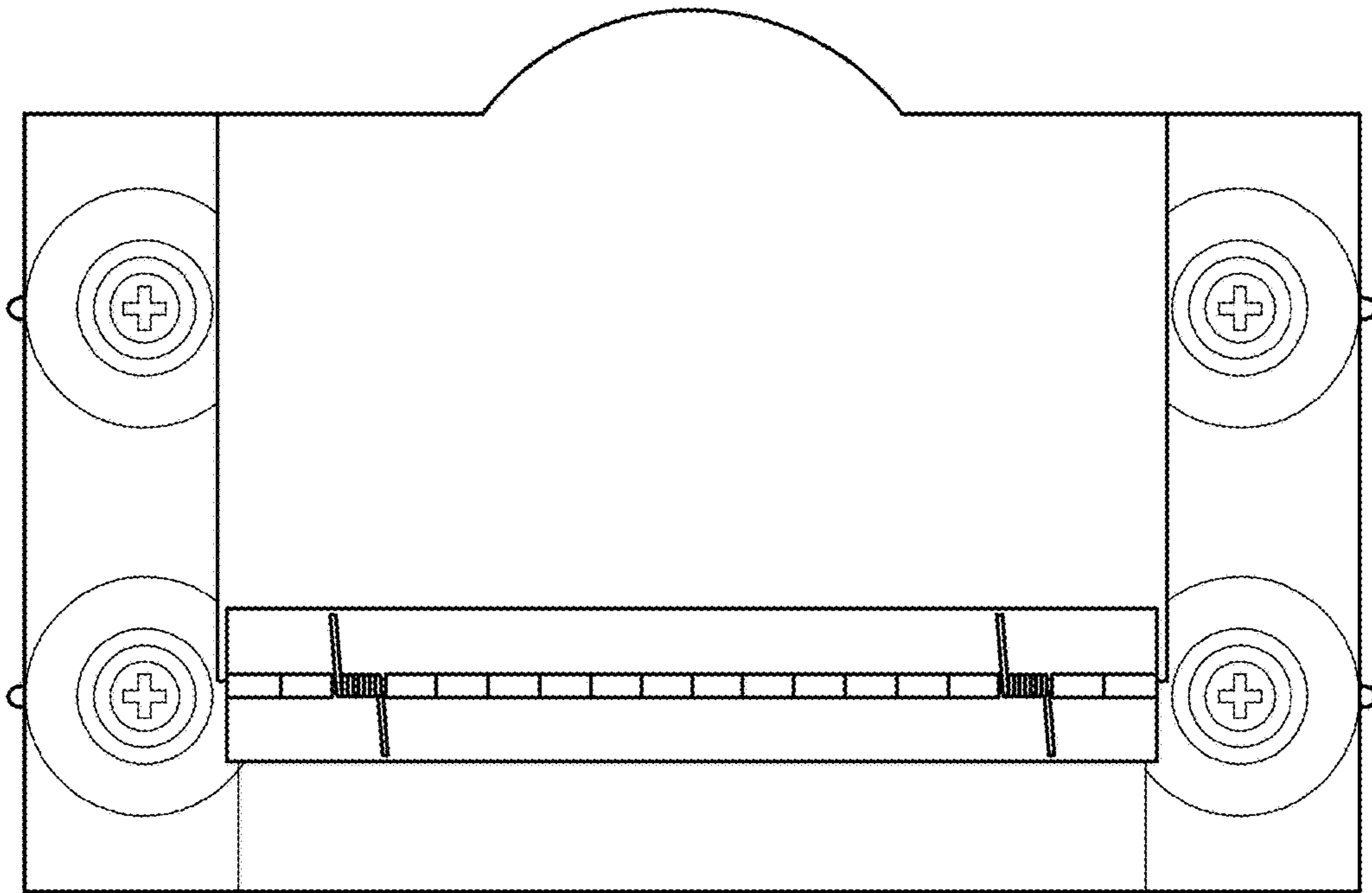


FIG. 2

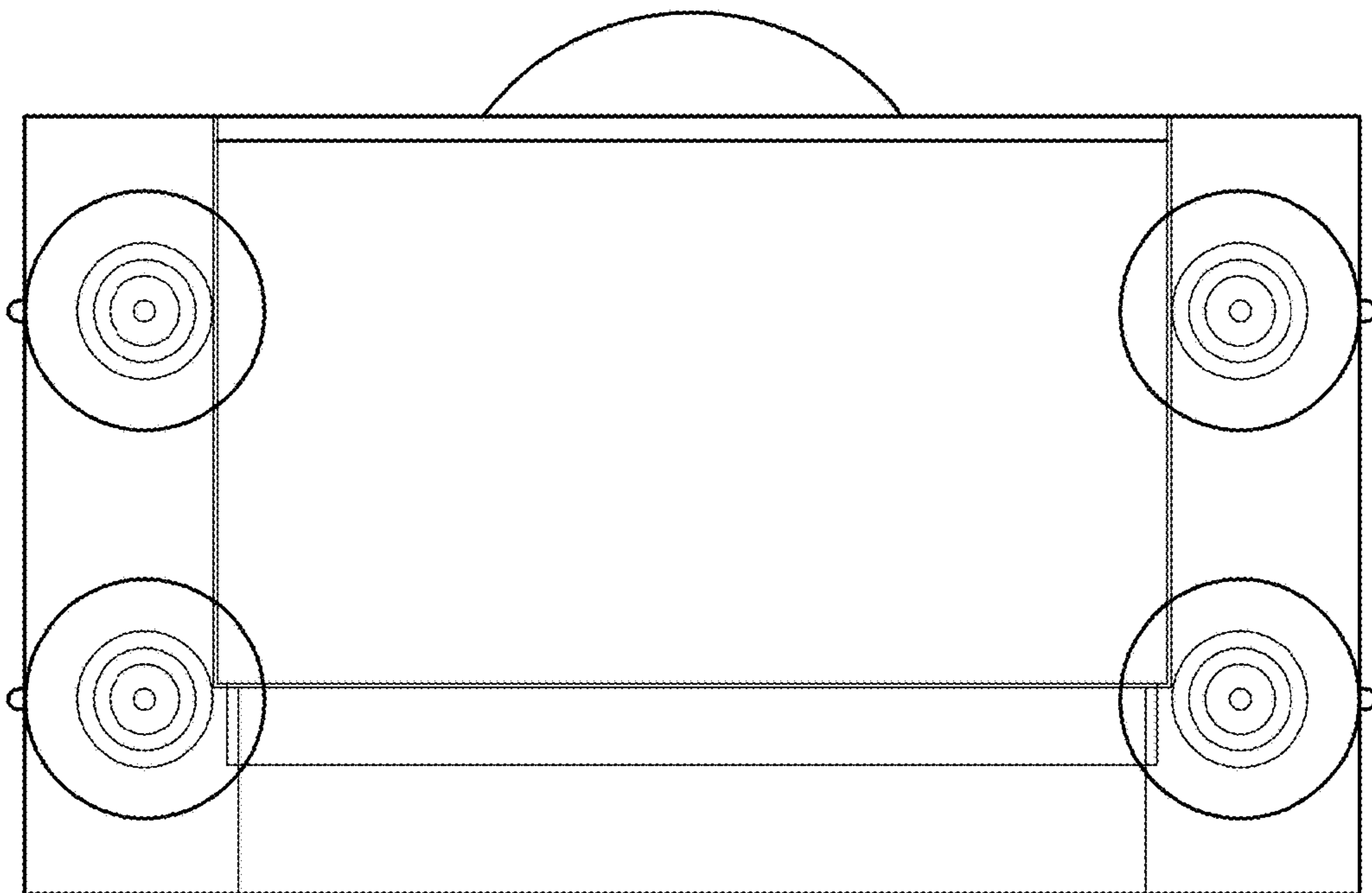


FIG. 3

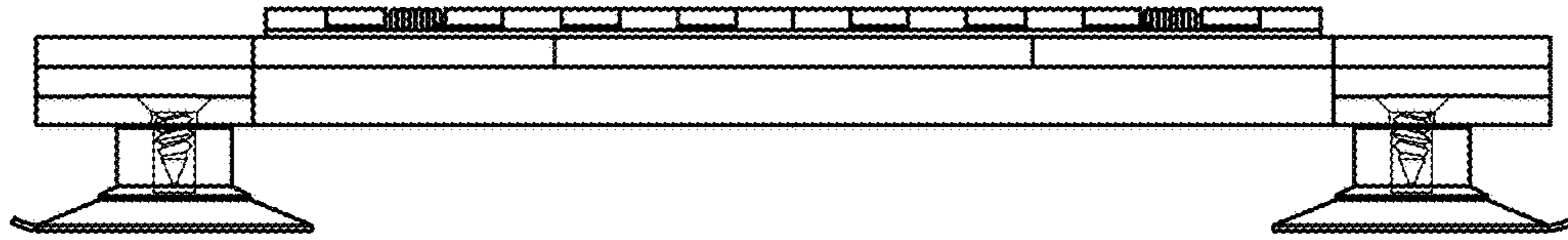


FIG. 4

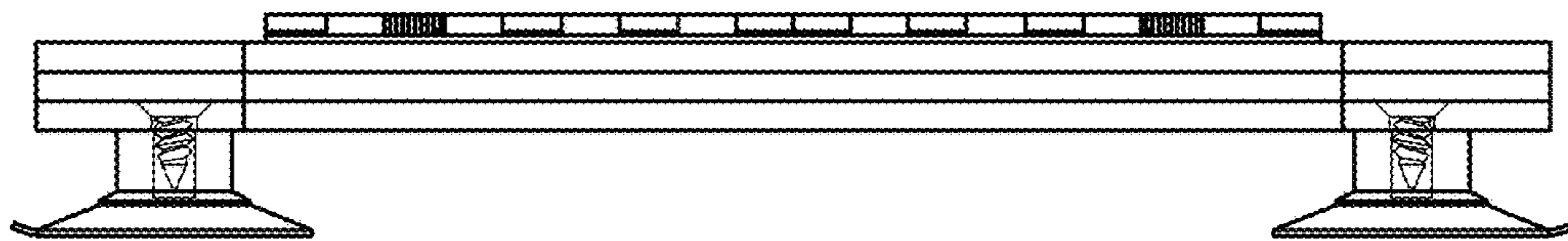


FIG. 5

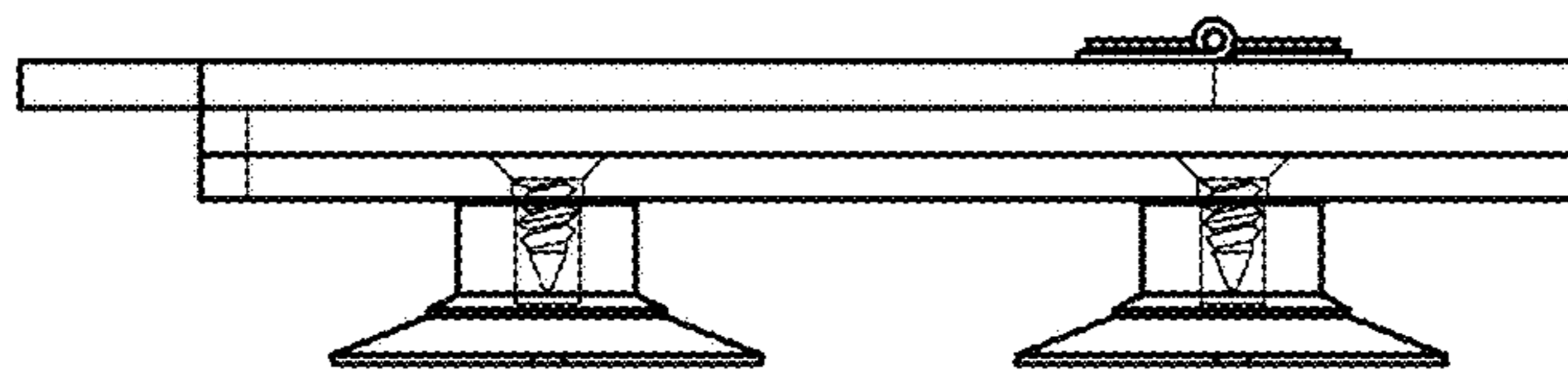


FIG. 6



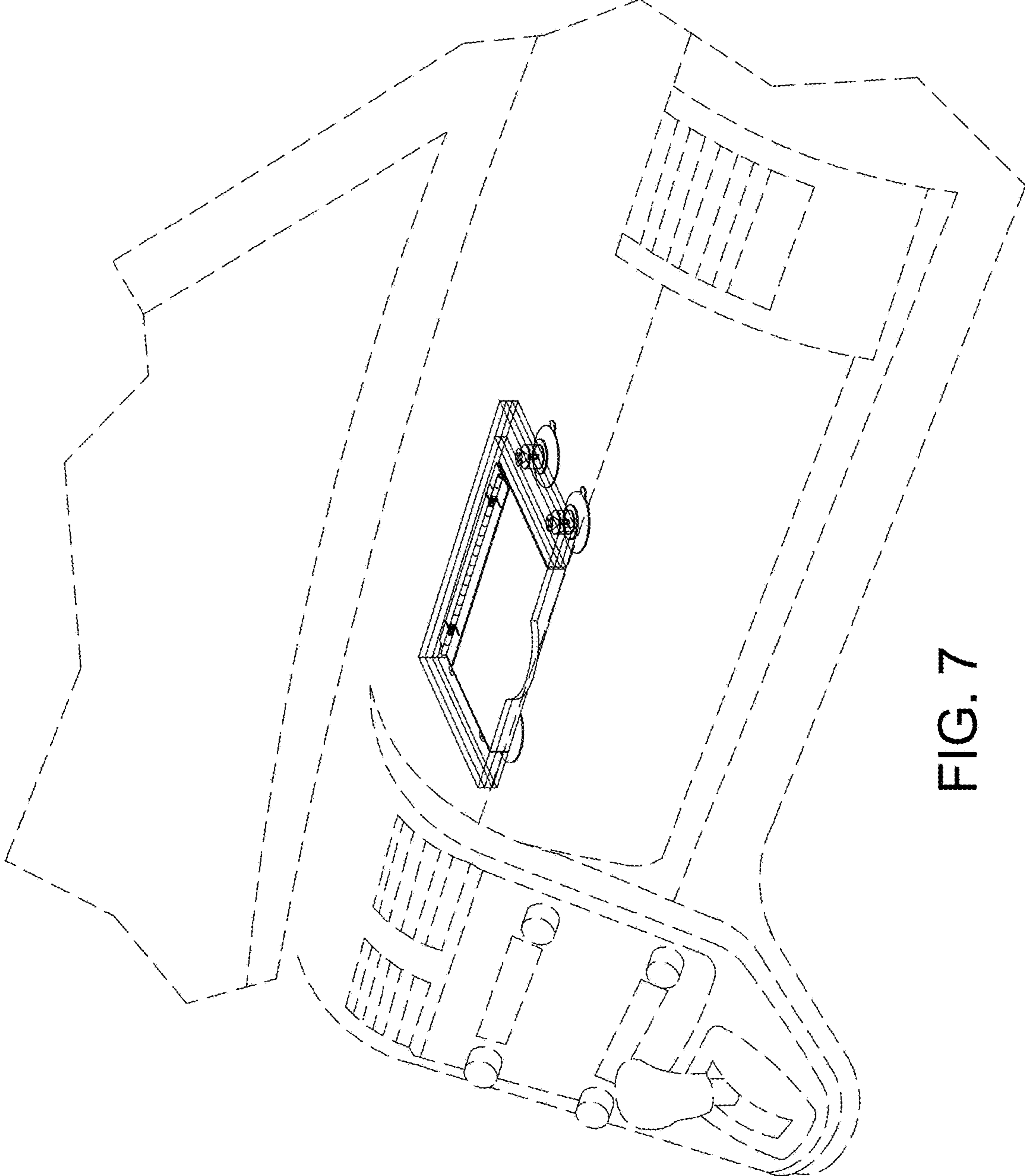


FIG. 7

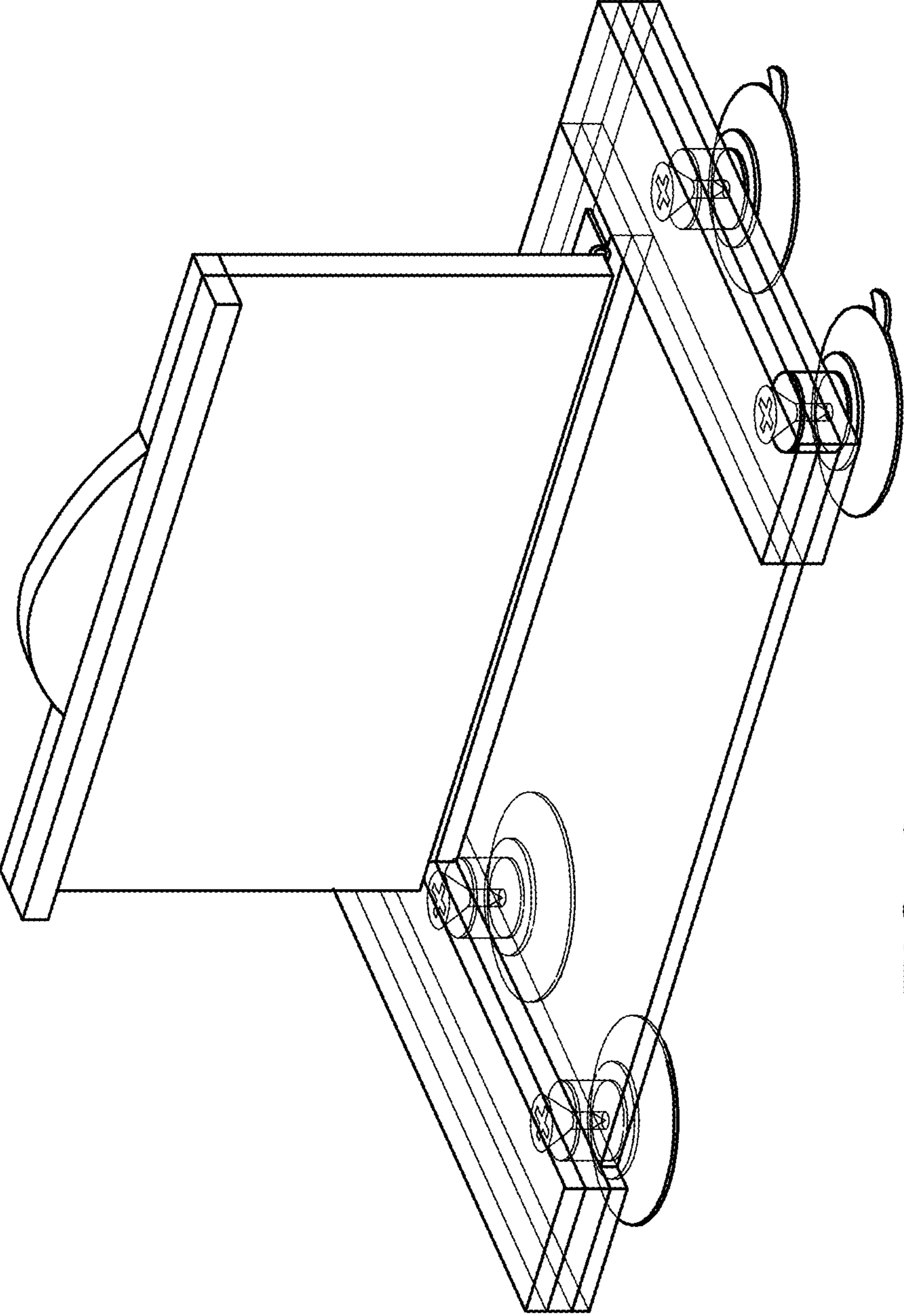


FIG. 8

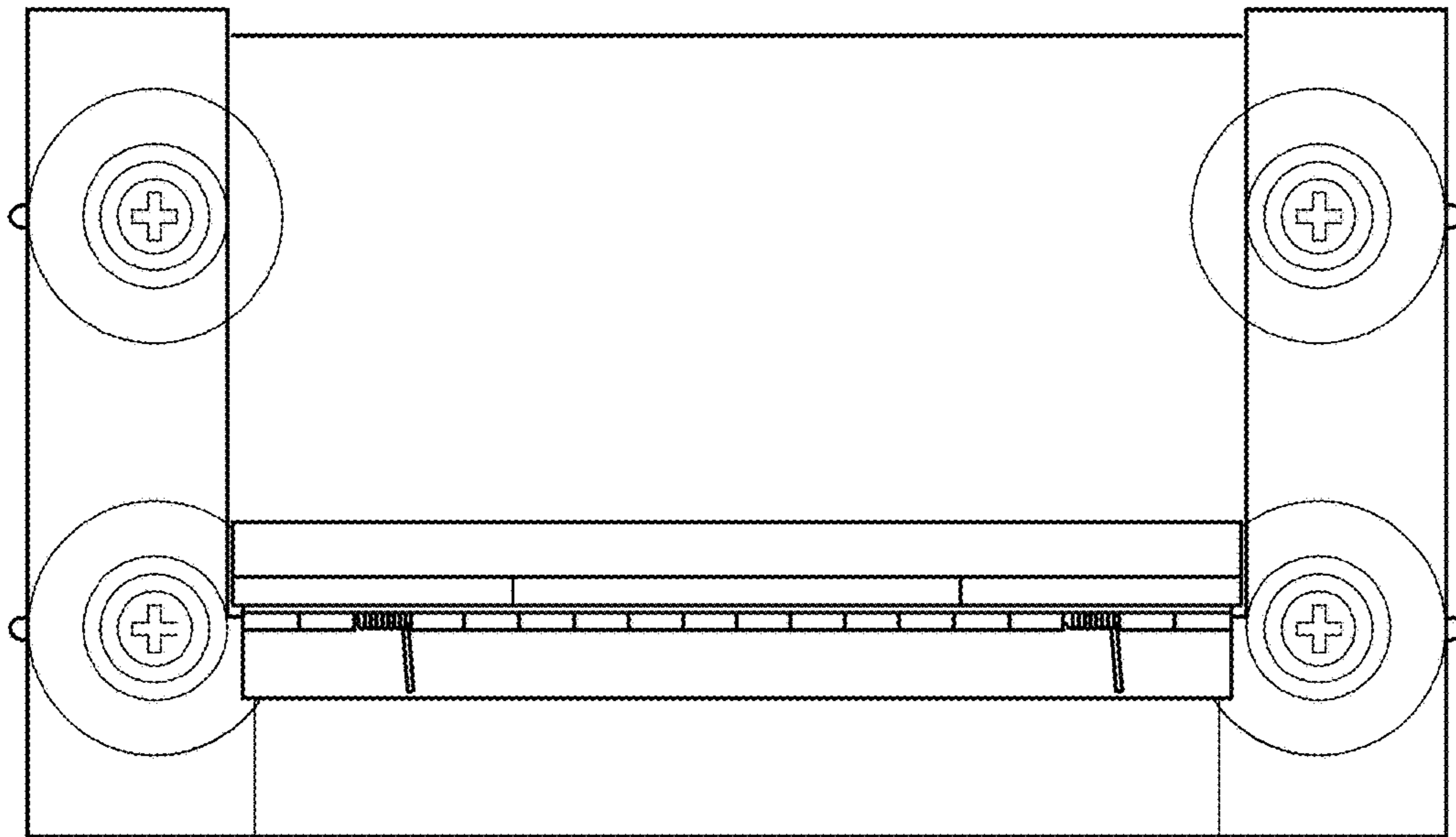


FIG. 9

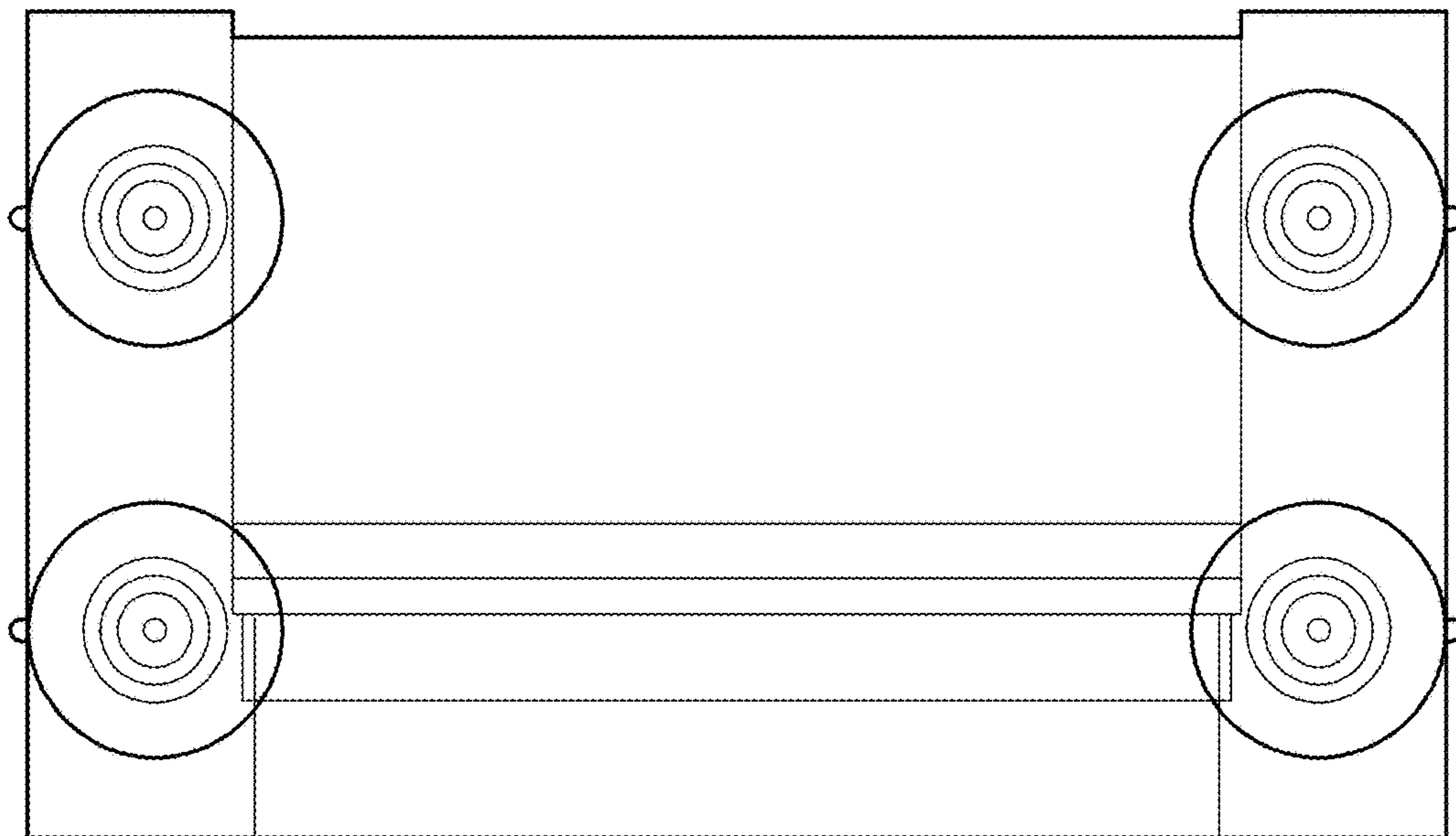


FIG. 10



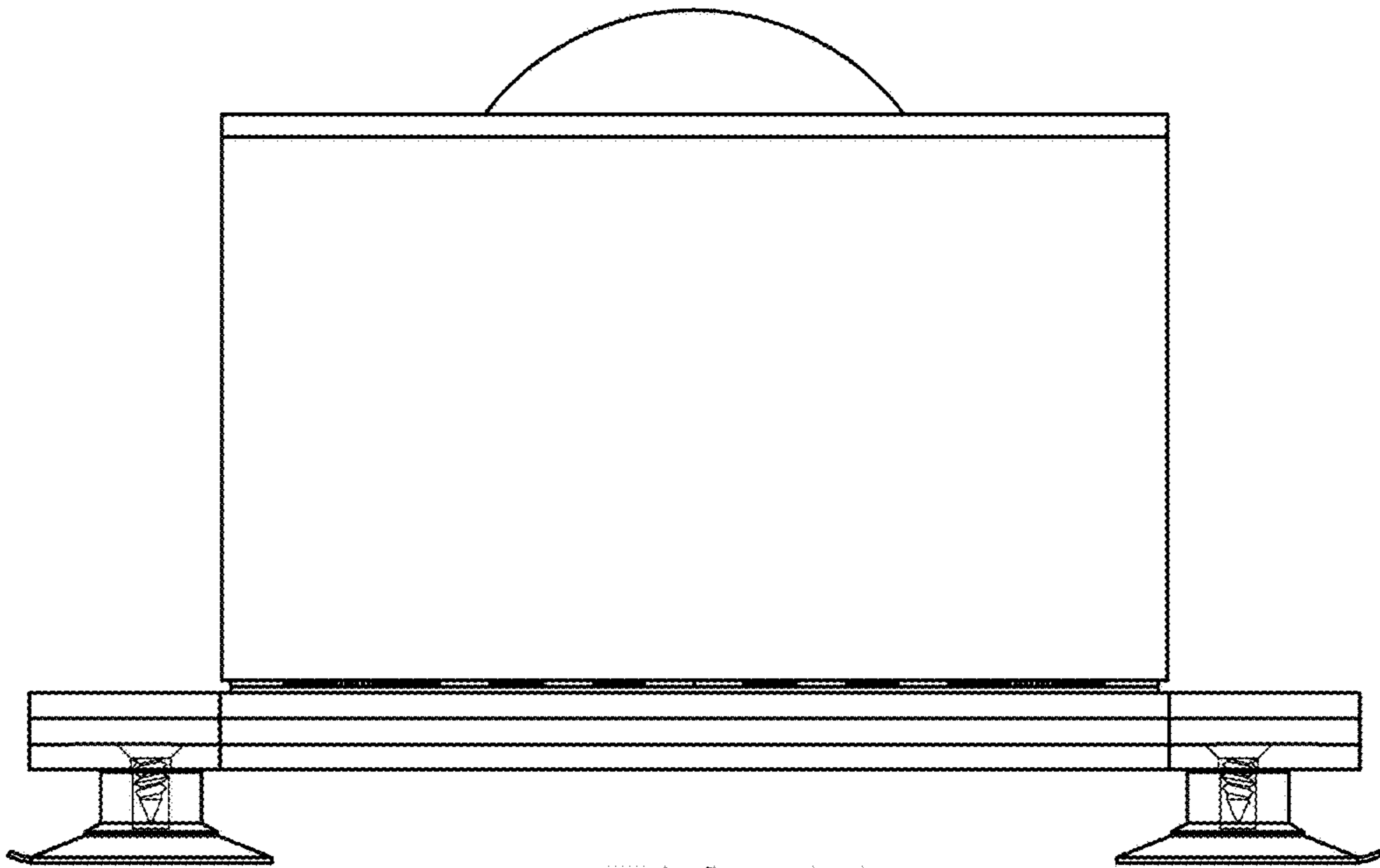


FIG. 11

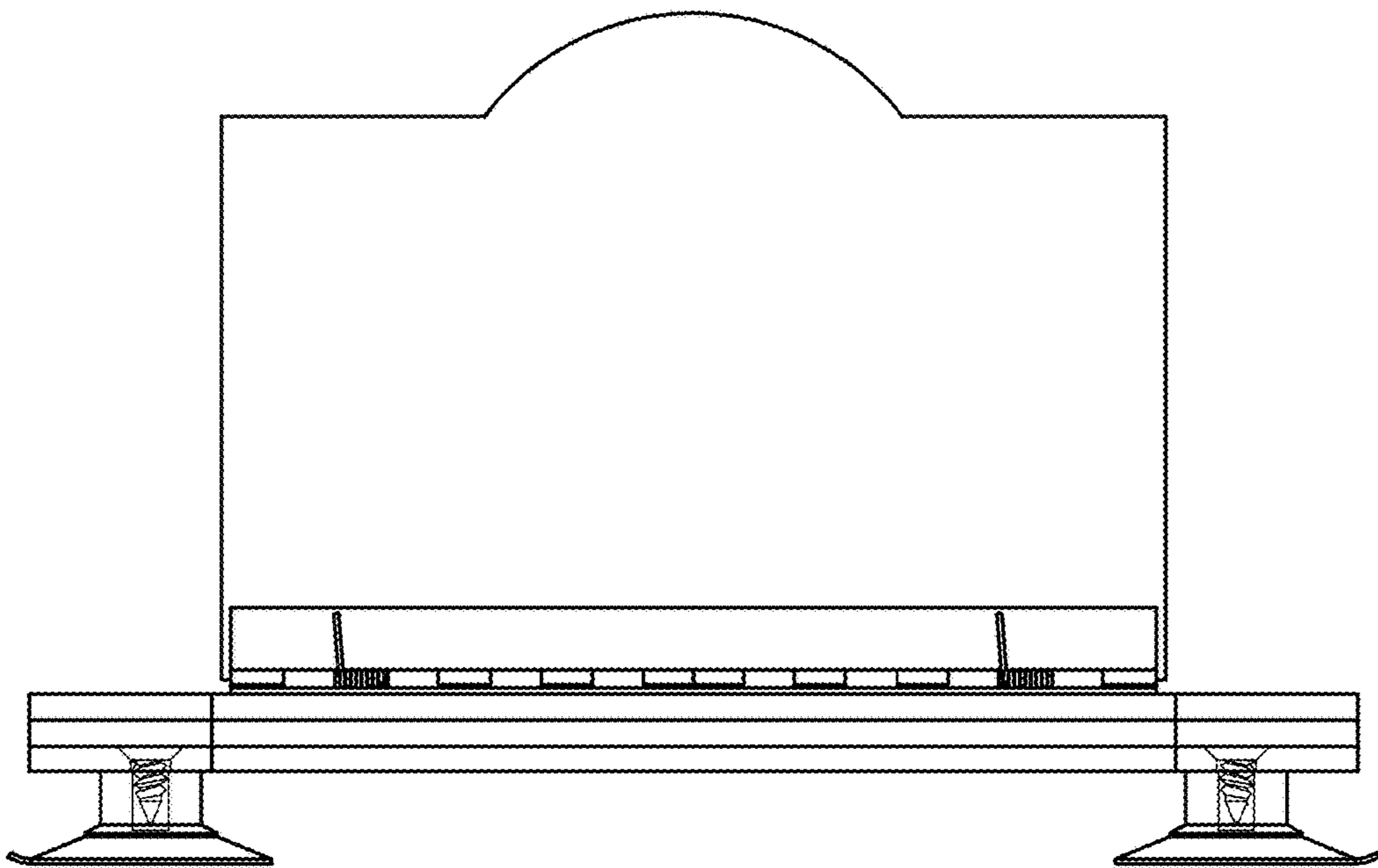


FIG. 12

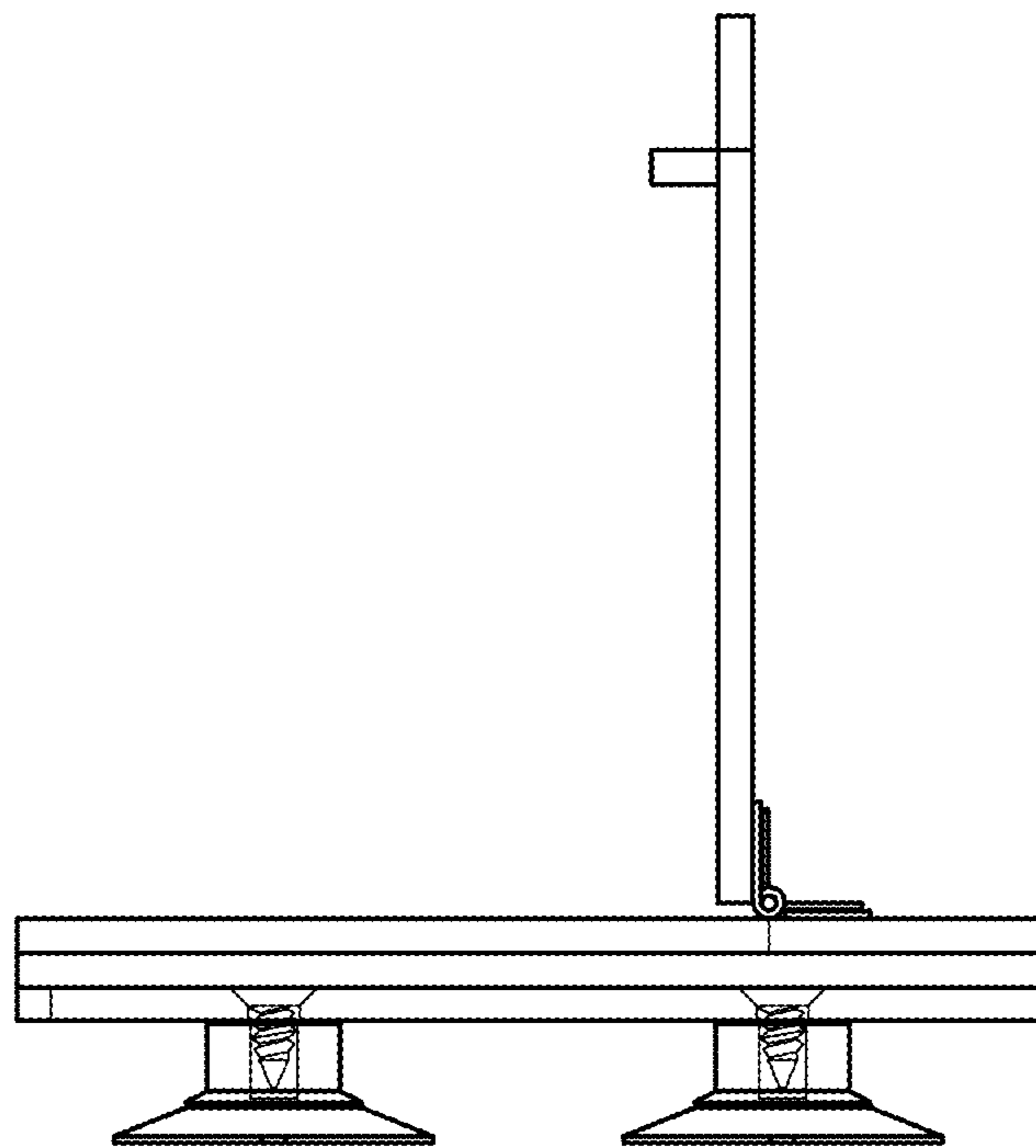


FIG. 13

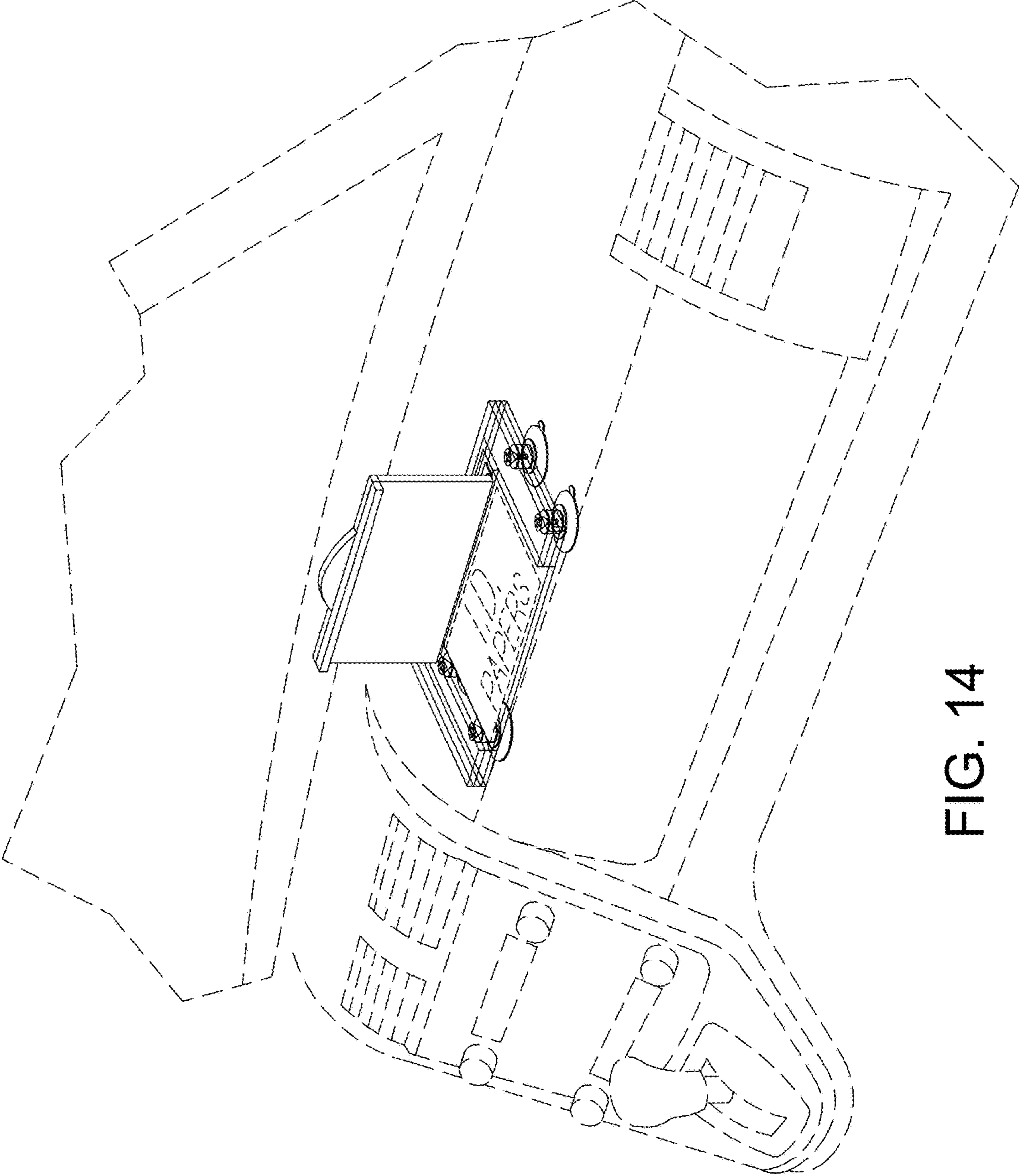


FIG. 14