



US00D801253S

(12) **United States Design Patent**
Taylor

(10) **Patent No.:** **US D801,253 S**

(45) **Date of Patent:** **** Oct. 31, 2017**

(54) **WHEEL**

(71) Applicant: **Fredrick Taylor**, Rome (IT)

(72) Inventor: **Fredrick Taylor**, Rome (IT)

(**) Term: **15 Years**

(21) Appl. No.: **29/555,574**

(22) Filed: **Feb. 23, 2016**

(51) **LOC (10) Cl.** **12-16**

(52) **U.S. Cl.**
USPC **D12/211**

(58) **Field of Classification Search**
USPC D12/204–213

CPC B60B 7/00; B60B 7/02; B60B 7/04; B60B 7/01; B60B 7/06; B60B 3/02; B60B 3/04; B60B 3/06; B60B 3/10; B60B 1/00; B60B 1/08; B60B 1/10; B60B 1/12

See application file for complete search history.

(56) **References Cited**

U.S. PATENT DOCUMENTS

D543,922 S *	6/2007	Young	D12/209
D548,167 S *	8/2007	Groom	D12/211
D582,829 S *	12/2008	Musser	D12/211
D659,069 S *	5/2012	Johnson	D12/211
D660,220 S *	5/2012	Chan	D12/211

D669,409 S *	10/2012	Arakelian	D12/211
D671,483 S *	11/2012	Chung	D12/211
D698,300 S *	1/2014	Chung	D12/211
D706,193 S *	6/2014	Lee	D12/209
D706,196 S *	6/2014	Lee	D12/211
D712,334 S *	9/2014	Hale, Jr.	D12/211
D717,224 S *	11/2014	Kim	D12/211
D721,318 S *	1/2015	Kim	D12/211
D746,753 S *	1/2016	Johnson	D12/209
D751,966 S *	3/2016	Zhao	D12/211
D763,769 S *	8/2016	Johnson	D12/211
D766,805 S *	9/2016	Chung	D12/211

* cited by examiner

Primary Examiner — Stacia Cadmus

(74) *Attorney, Agent, or Firm* — Thomas | Horstemeyer, LLP

(57) **CLAIM**

The ornamental design for a wheel, as shown and described.

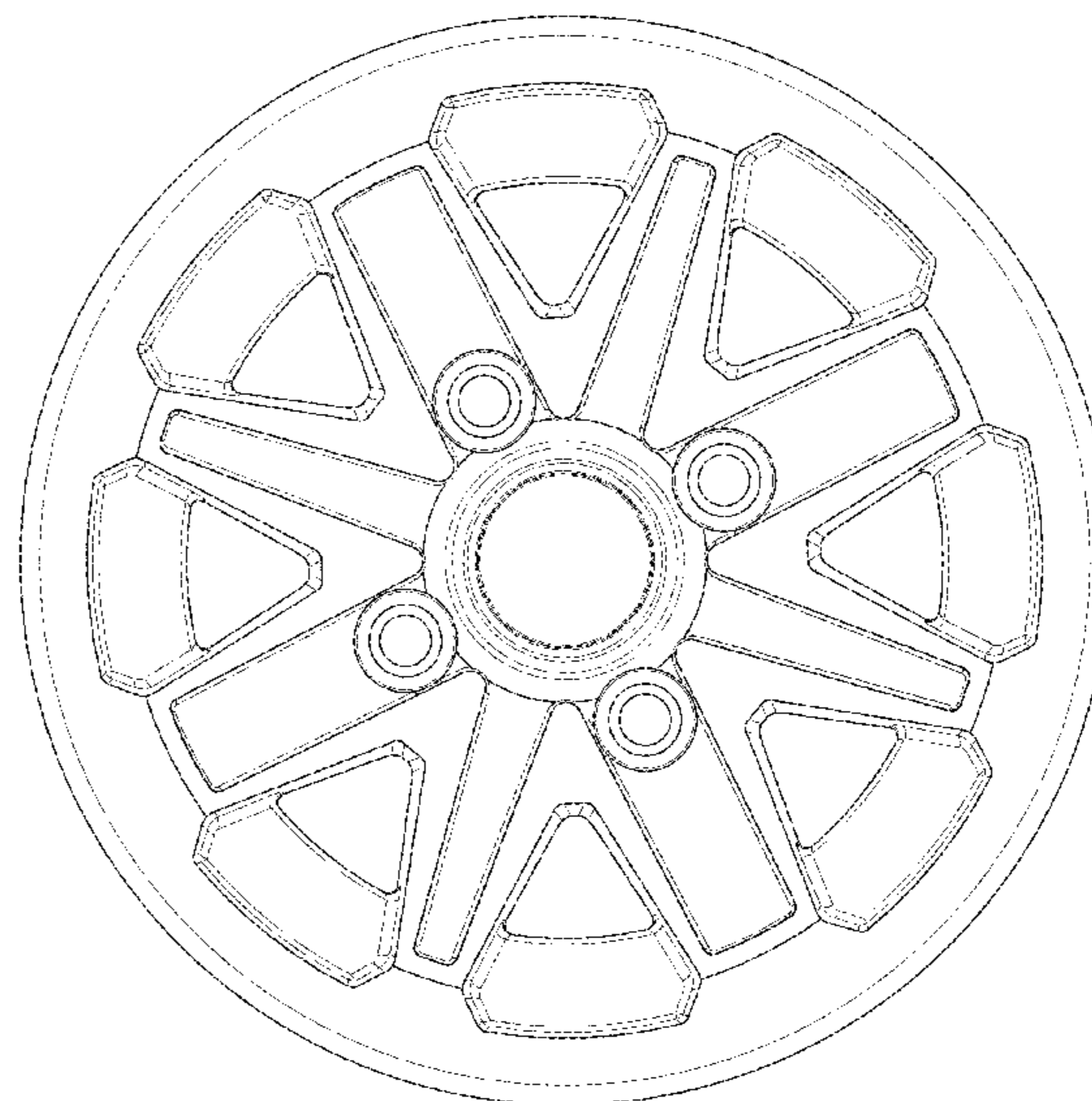
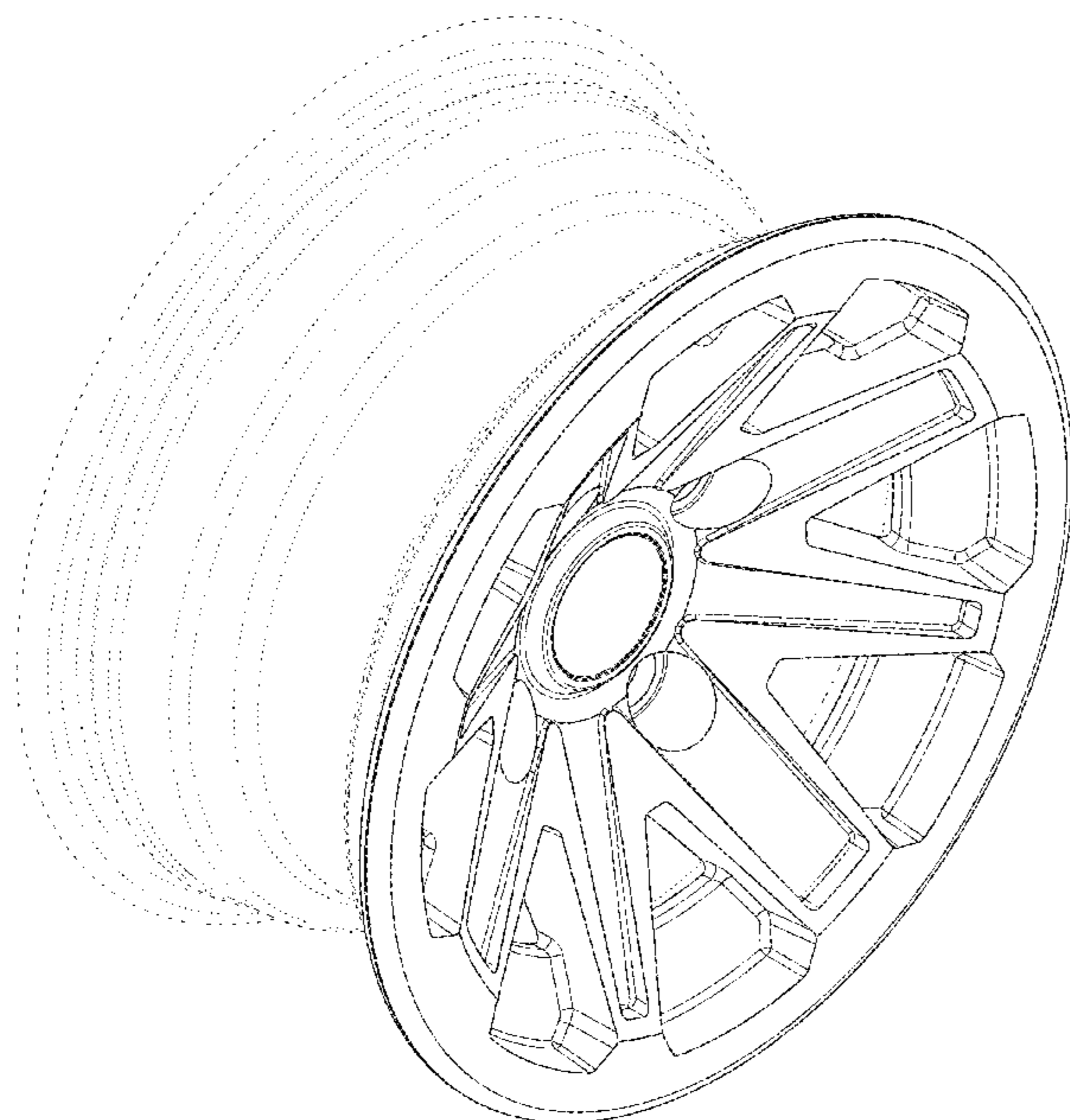
DESCRIPTION

FIG. 1 is a perspective view of a wheel, showing my new design; and,

FIG. 2 is a front view thereof.

The broken line showing of the rear portion of the wheel is included for the purpose of illustrating environment and forms no part of the claimed design.

1 Claim, 2 Drawing Sheets



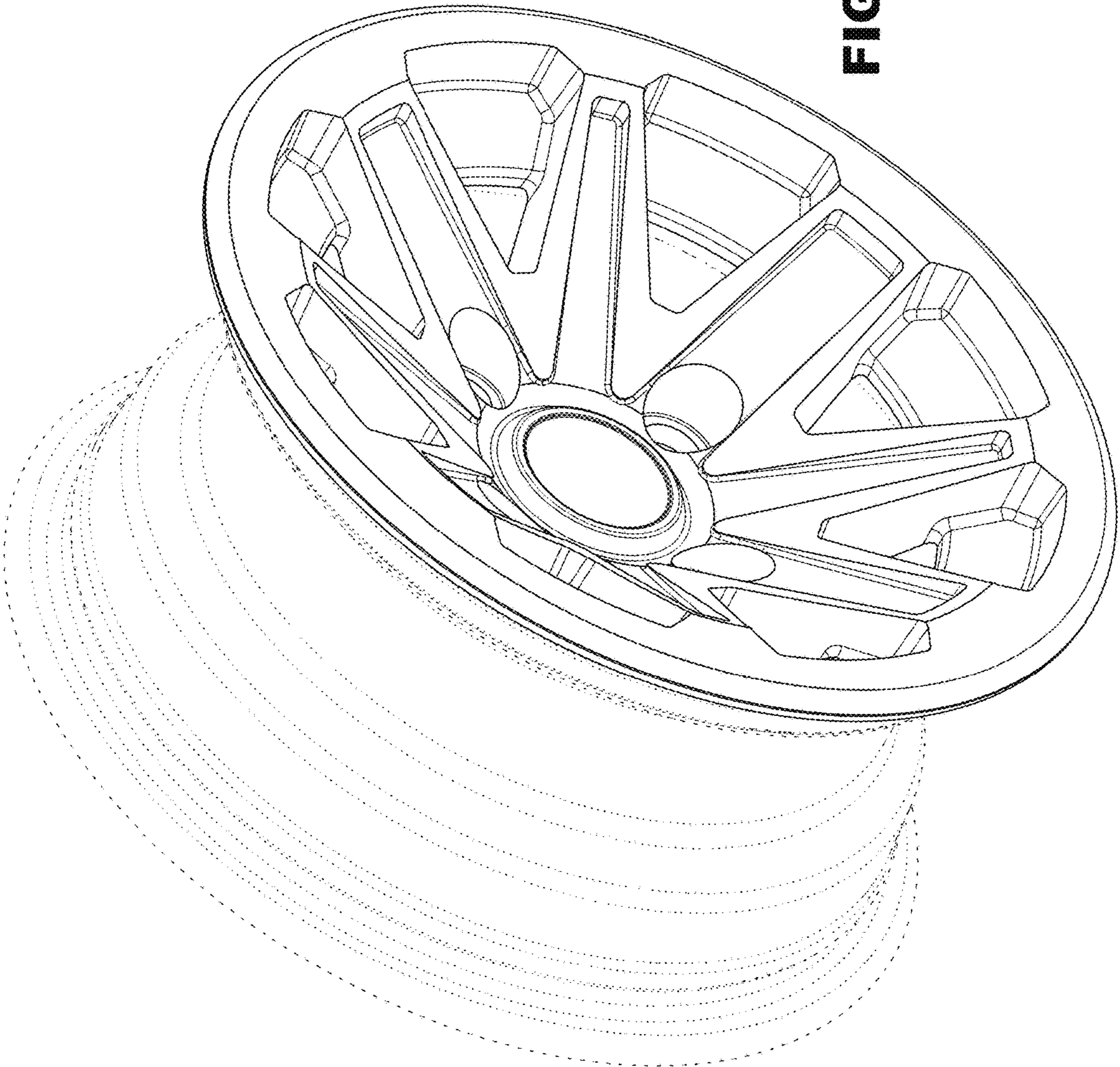


FIG. 1

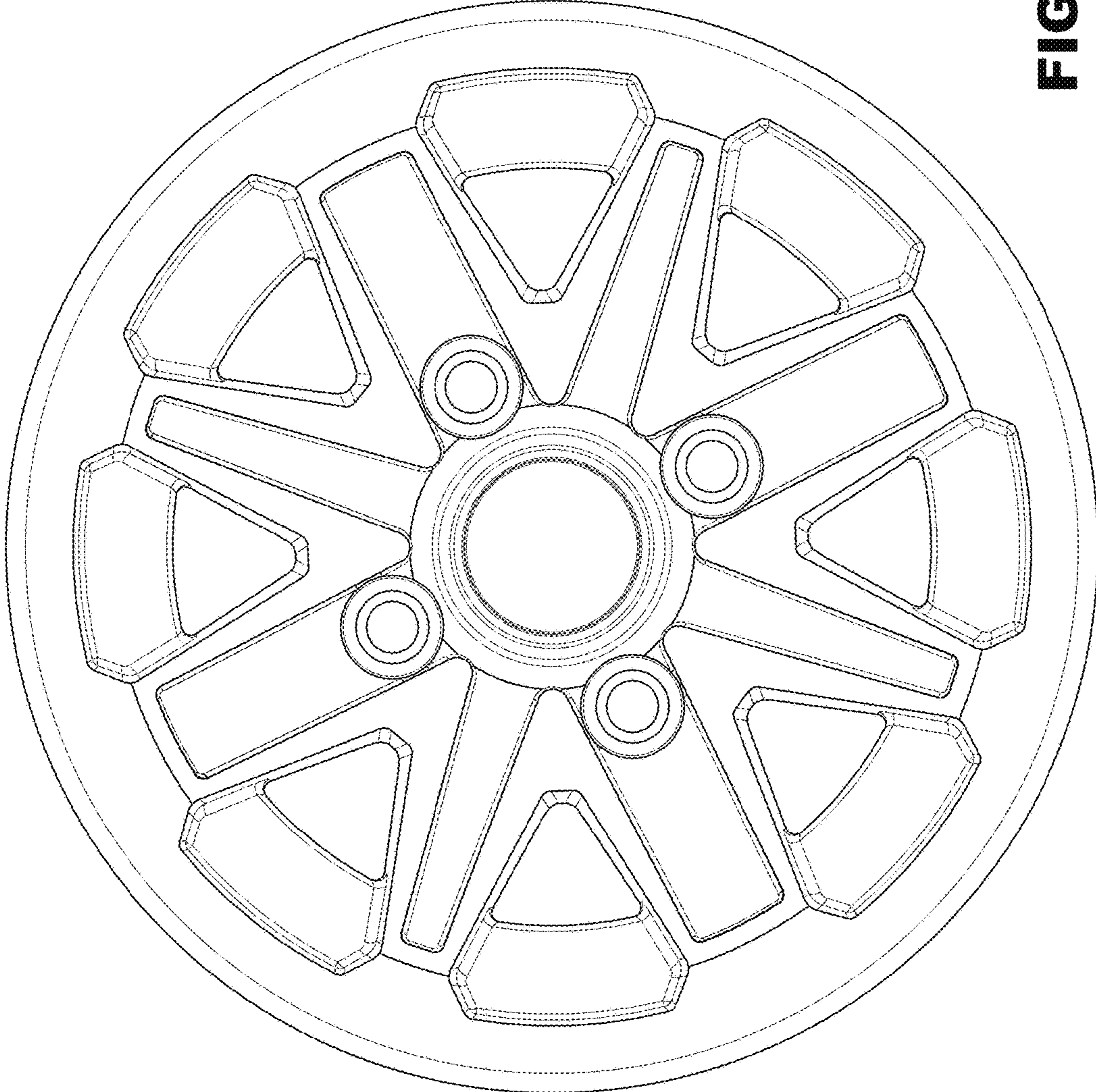


FIG. 2