



US00D801252S

(12) **United States Design Patent**
McMath

(10) **Patent No.:** **US D801,252 S**

(45) **Date of Patent:** **** Oct. 31, 2017**

(54) **WHEEL**

(71) Applicant: **Robert Roy McMath**, Riverside, CA
(US)

(72) Inventor: **Robert Roy McMath**, Riverside, CA
(US)

(**) Term: **15 Years**

(21) Appl. No.: **29/584,994**

(22) Filed: **Nov. 18, 2016**

(51) **LOC (10) Cl.** **12-16**

(52) **U.S. Cl.**
USPC **D12/209**

(58) **Field of Classification Search**
USPC D12/204–213
CPC B60B 7/00; B60B 7/02; B60B 7/04; B60B
7/01; B60B 7/06; B60B 3/02; B60B 3/04;
B60B 3/06; B60B 3/10; B60B 1/00;
B60B 1/08; B60B 1/10; B60B 1/12
See application file for complete search history.

(56) **References Cited**

U.S. PATENT DOCUMENTS

D325,189 S * 4/1992 Kapitza D12/209
D326,838 S * 6/1992 Julien D12/211
D408,003 S * 4/1999 Sacco D12/209

D425,847 S * 5/2000 Iguchi D12/209
D436,572 S * 1/2001 Brown D12/209
D443,580 S * 6/2001 Kubo D12/211
D451,061 S * 11/2001 Ishihara D12/209
D453,913 S * 2/2002 Minamisawa D12/209
D463,347 S * 9/2002 Takezawa D12/209
D475,006 S * 5/2003 Yoshida D12/209
D502,435 S * 3/2005 Kuninari D12/209
D571,702 S * 6/2008 Guidry D12/209
D669,007 S * 10/2012 Starr, Jr. D12/209
D701,811 S * 4/2014 Hale, Jr. D12/211
D733,023 S * 6/2015 Ferrett D12/209
D769,165 S * 10/2016 Choi D12/209
D790,424 S * 6/2017 Valencia Pollex D12/209
D791,046 S * 7/2017 Ishii D12/209
D791,672 S * 7/2017 Palana D12/211

* cited by examiner

Primary Examiner — Stacia Cadmus

(74) *Attorney, Agent, or Firm* — Curtis L. Harrington;
Harrington & Harrington

(57) **CLAIM**

The ornamental design for a wheel, as shown and described.

DESCRIPTION

FIG. 1 is a front perspective view of the wheel; and,
FIG. 2 is a front view thereof.

In the drawings, the broken lines depict environmental
subject matter only and form no part of the claimed design.

1 Claim, 1 Drawing Sheet

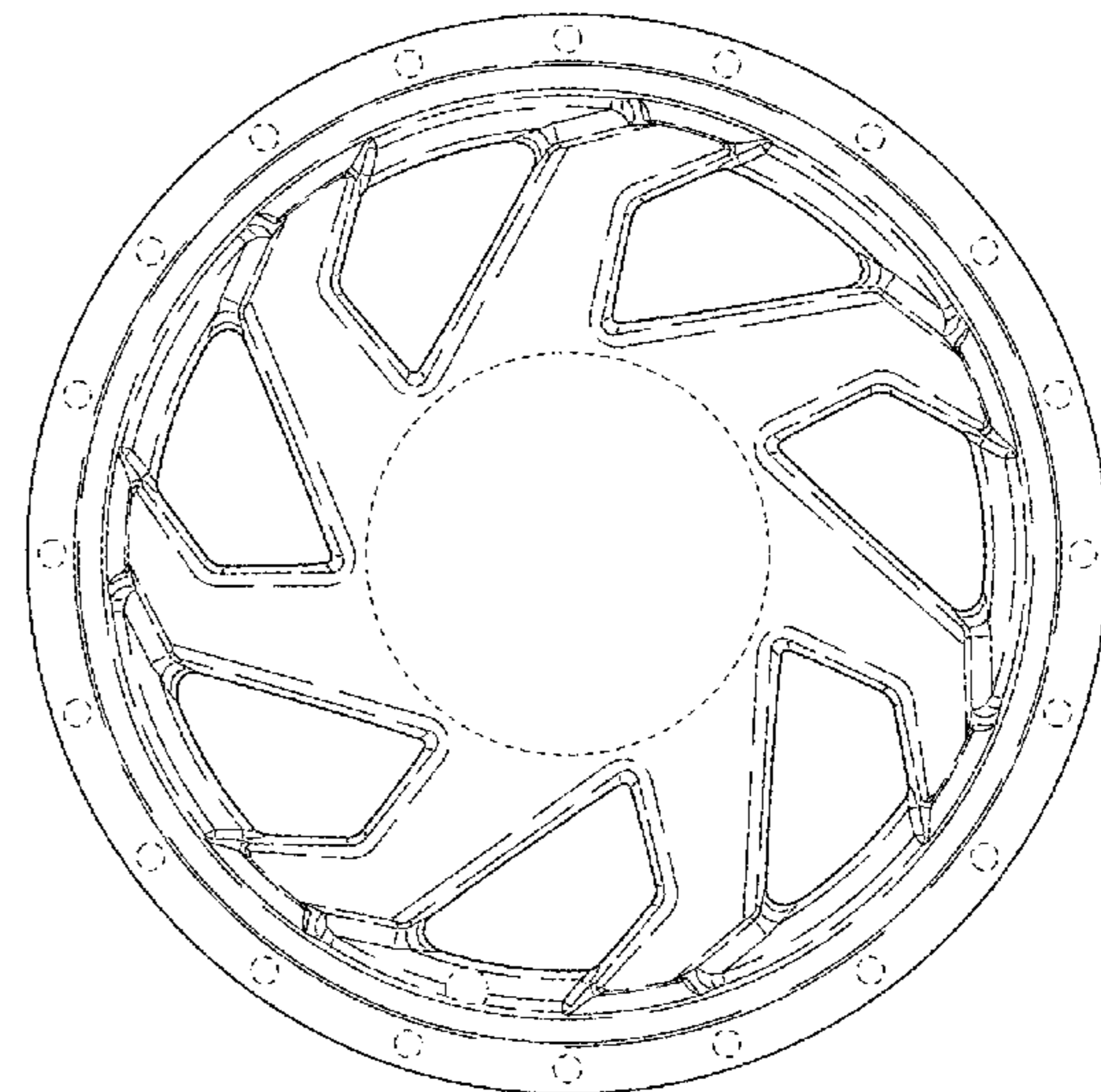
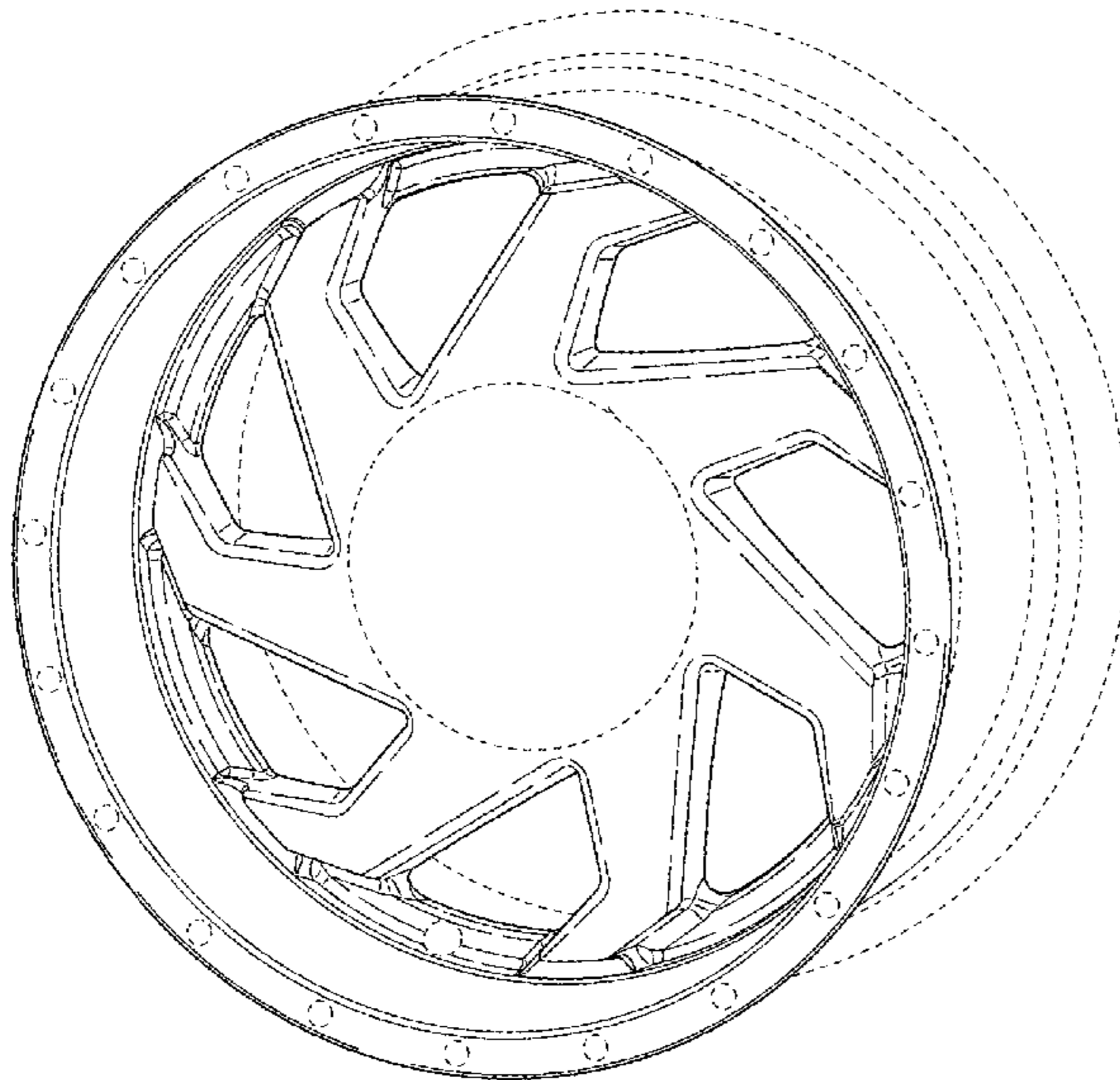


Fig. 1

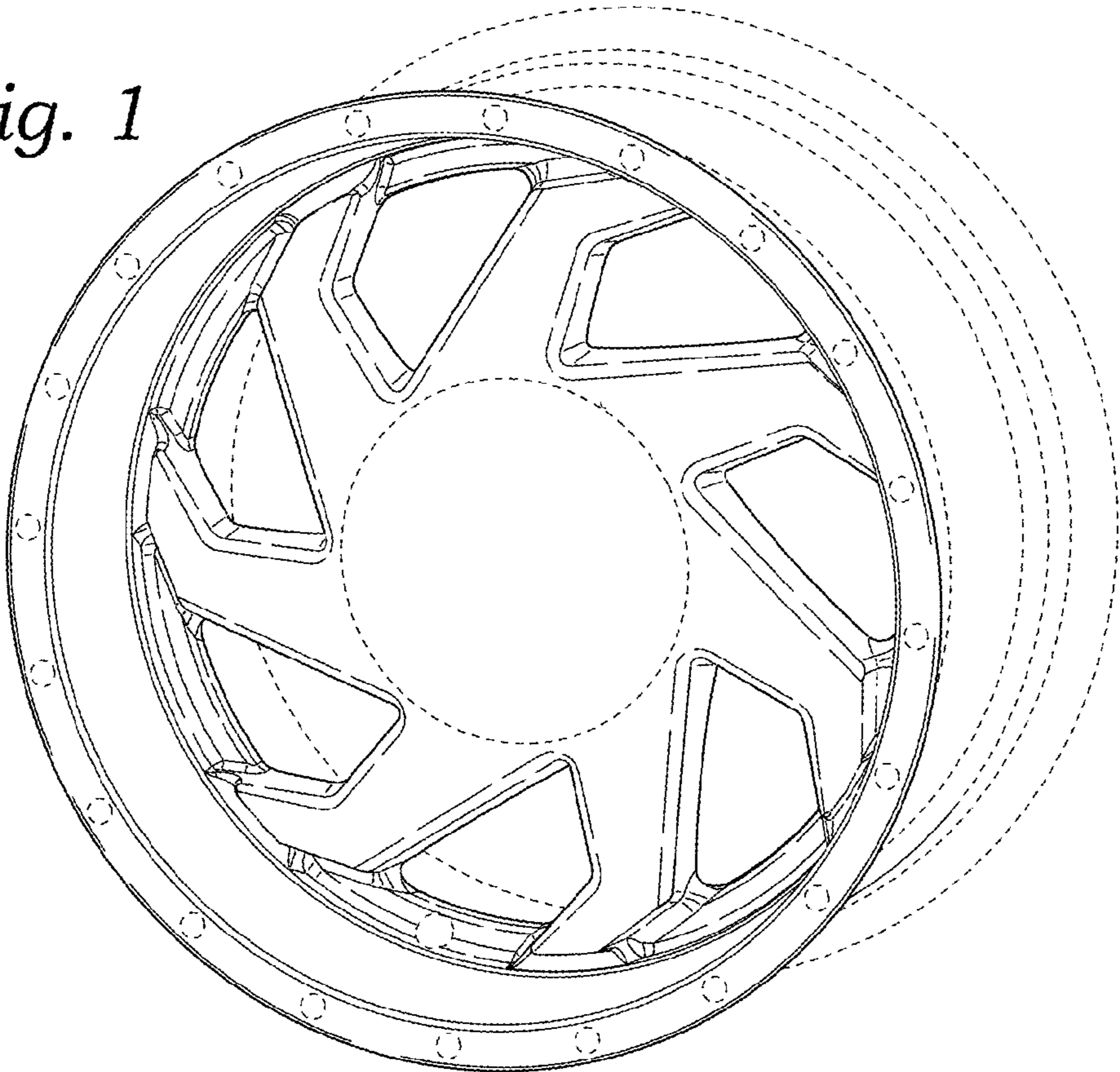


Fig. 2

