



US00D801251S

(12) **United States Design Patent**  
**Chung**

(10) **Patent No.:** **US D801,251 S**

(45) **Date of Patent:** **\*\* Oct. 31, 2017**

(54) **AUTOMOTIVE WHEEL**

(71) Applicant: **Suny Chung**, Anaheim, CA (US)

(72) Inventor: **Suny Chung**, Anaheim, CA (US)

(\*\*) Term: **15 Years**

(21) Appl. No.: **29/580,024**

(22) Filed: **Oct. 5, 2016**

(51) **LOC (10) Cl.** ..... **12-16**

(52) **U.S. Cl.**  
USPC ..... **D12/209**

(58) **Field of Classification Search**  
USPC ..... D12/204–213  
CPC .... B60B 7/00; B60B 7/02; B60B 7/04; B60B 7/01; B60B 7/06; B60B 3/02; B60B 3/04; B60B 3/06; B60B 3/10; B60B 1/00; B60B 1/08; B60B 1/10; B60B 1/12  
See application file for complete search history.

(56) **References Cited**

**U.S. PATENT DOCUMENTS**

D232,631 S *	9/1974	Siroonian	.....	D12/205
D239,105 S *	3/1976	Siroonian	.....	D12/205
D269,081 S *	5/1983	Hayashi	.....	D12/205
D277,471 S *	2/1985	Uder	.....	D12/211
D292,573 S *	11/1987	Schmid	.....	D12/211

D438,164 S *	2/2001	Langerer	.....	D12/211
D498,449 S *	11/2004	Smith	.....	D12/209
D701,158 S *	3/2014	Hodges	.....	D12/211
D708,109 S *	7/2014	Hodges	.....	D12/205
D725,018 S *	3/2015	Zhao	.....	D12/209
D751,485 S *	3/2016	Chung	.....	D12/209
D766,154 S *	9/2016	Perini	.....	D12/209
D775,046 S *	12/2016	Huang	.....	D12/209

\* cited by examiner

*Primary Examiner* — Stacia Camus

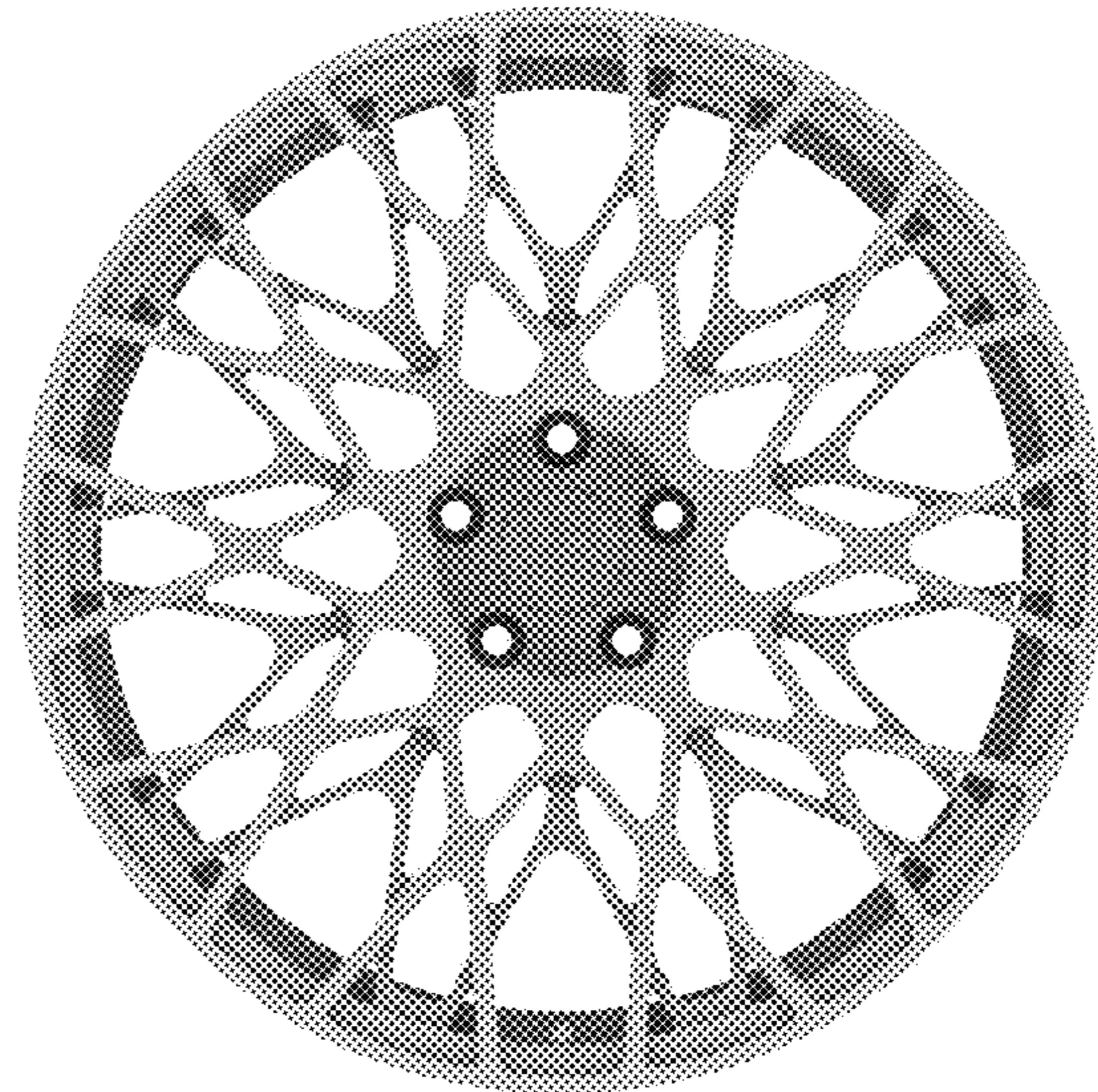
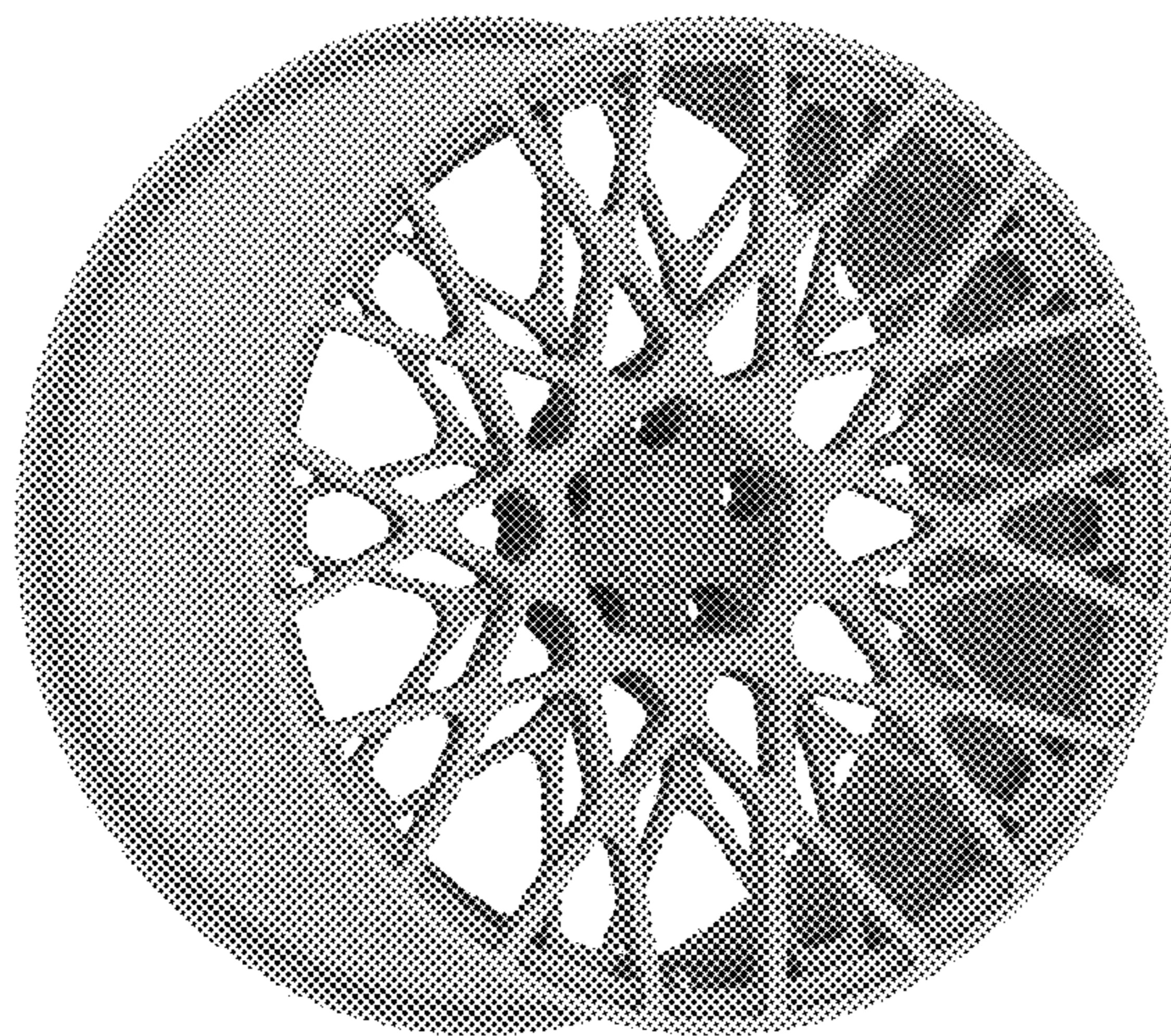
(57) **CLAIM**

The ornamental design for an automotive wheel, as shown and described.

**DESCRIPTION**

FIG. 1 is a perspective view of an automotive wheel, showing my new design;  
FIG. 2 is another perspective view thereof;  
FIG. 3 is a front view thereof;  
FIG. 4 is a perspective view of a second embodiment of an automotive wheel, showing my new design;  
FIG. 5 is another perspective view of FIG. 4;  
FIG. 6 is a front view of FIG. 4; and,  
FIG. 7 is a side view of the automotive wheel in FIGS. 1-6.

**1 Claim, 7 Drawing Sheets**



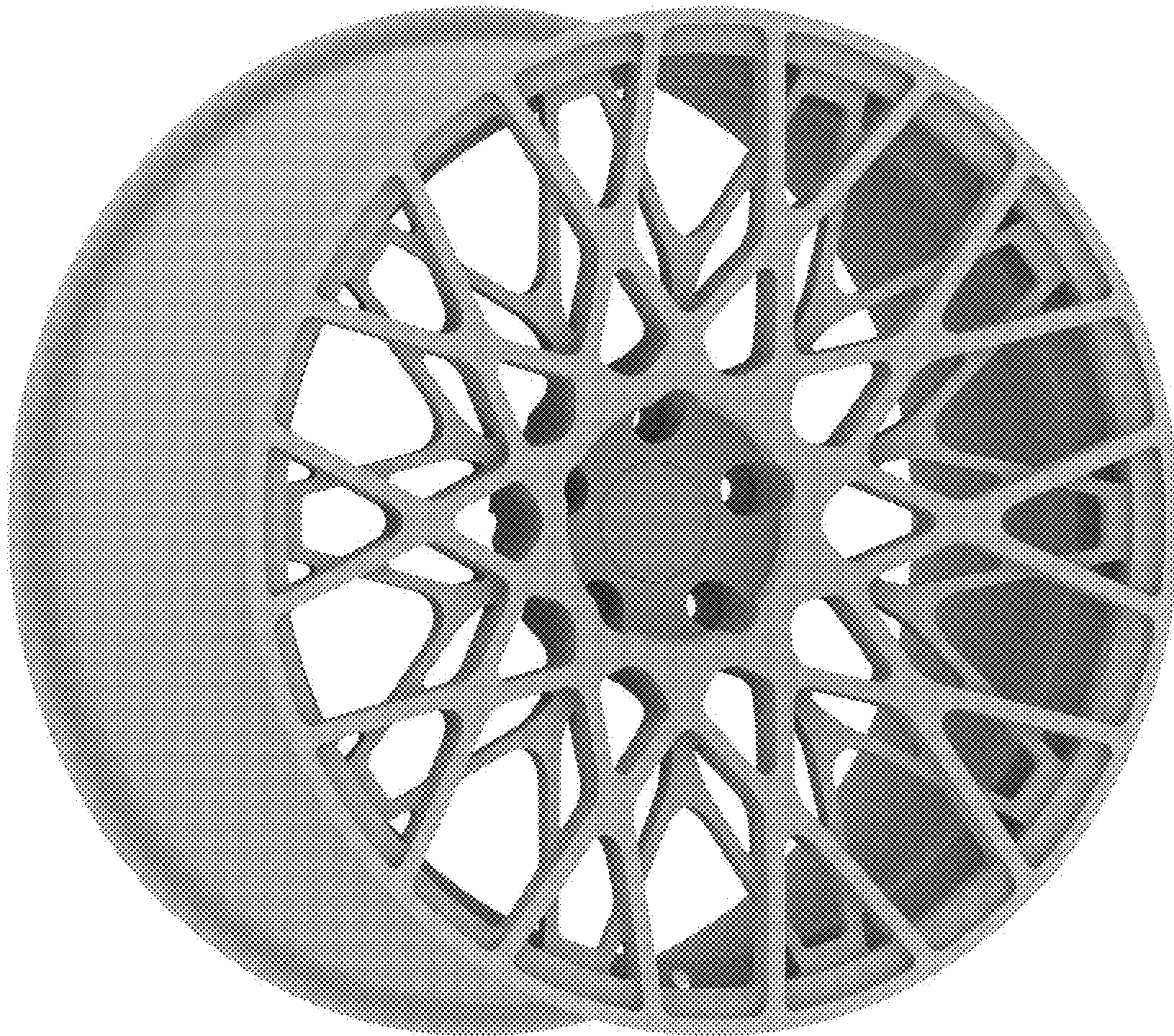


FIGURE 1

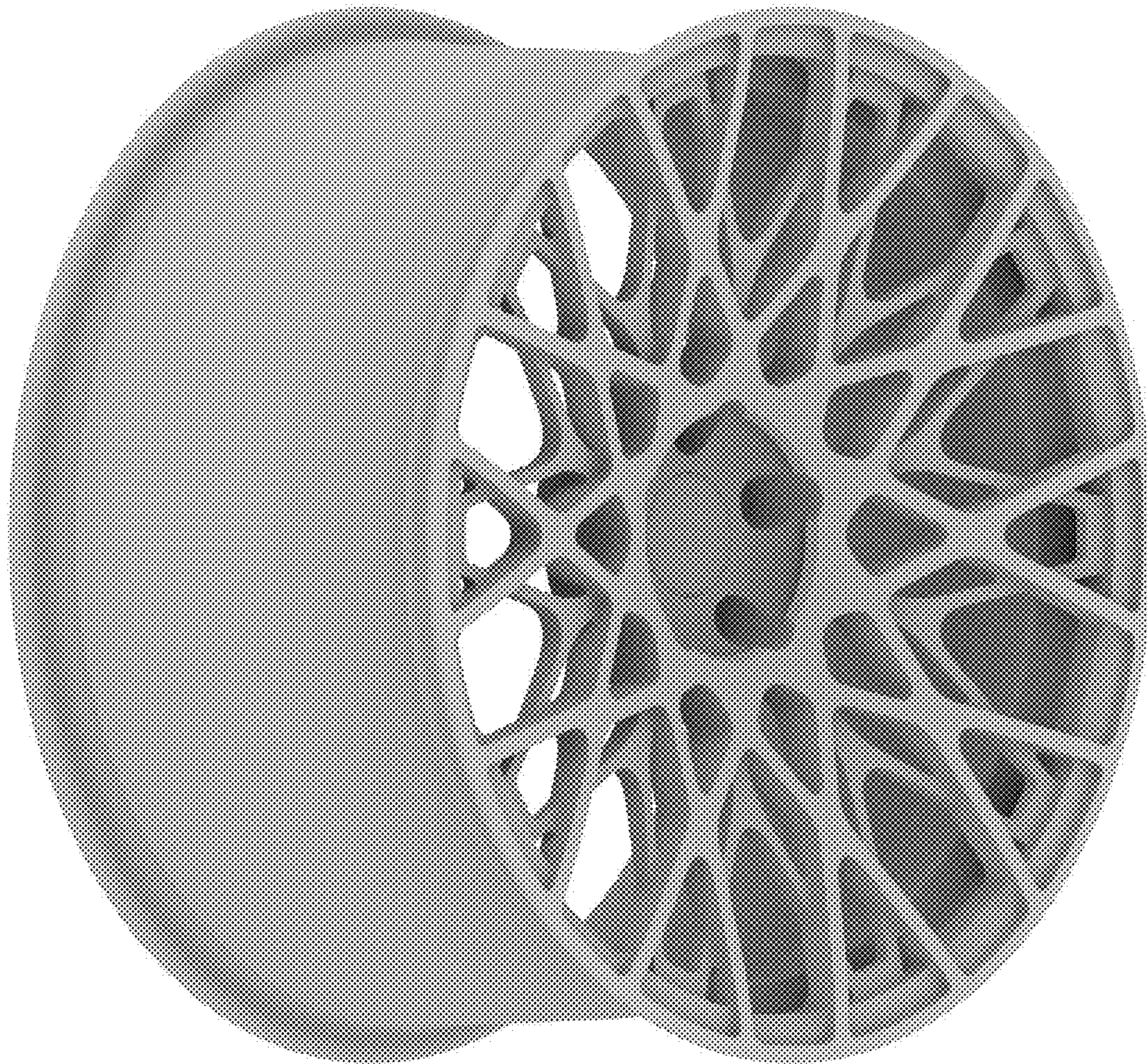


FIGURE 2



FIGURE 3

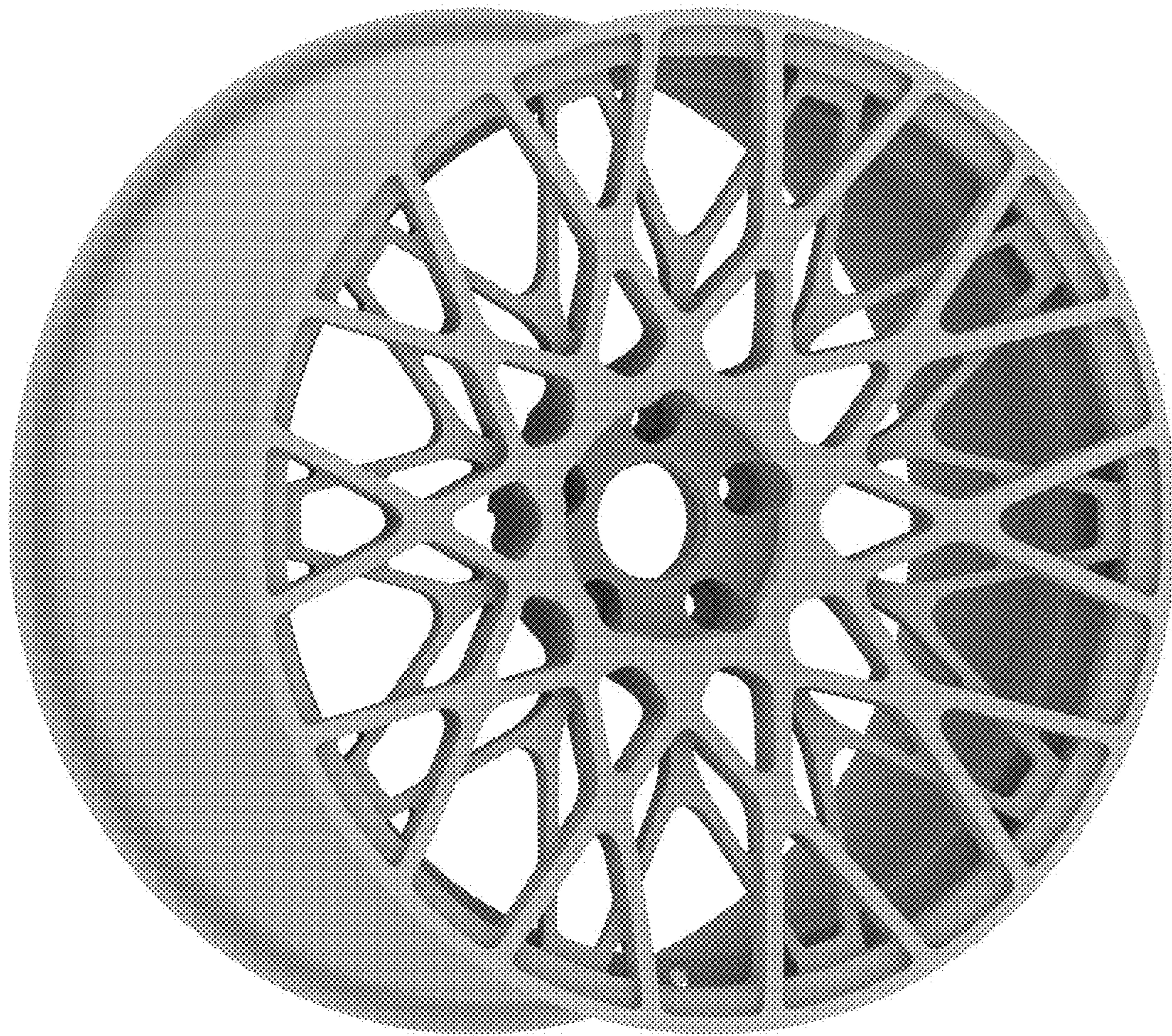


FIGURE 4

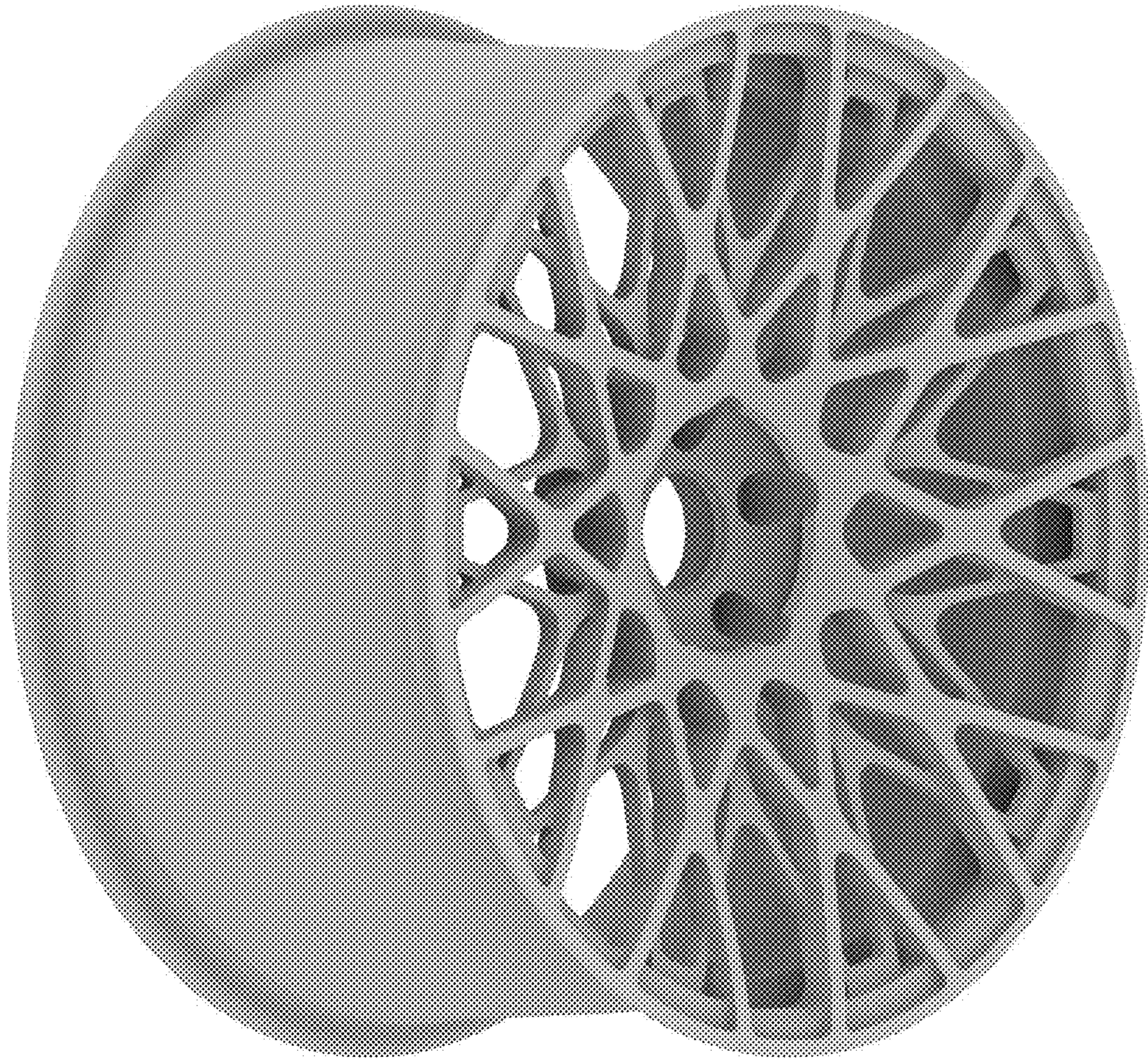


FIGURE 5



FIGURE 6

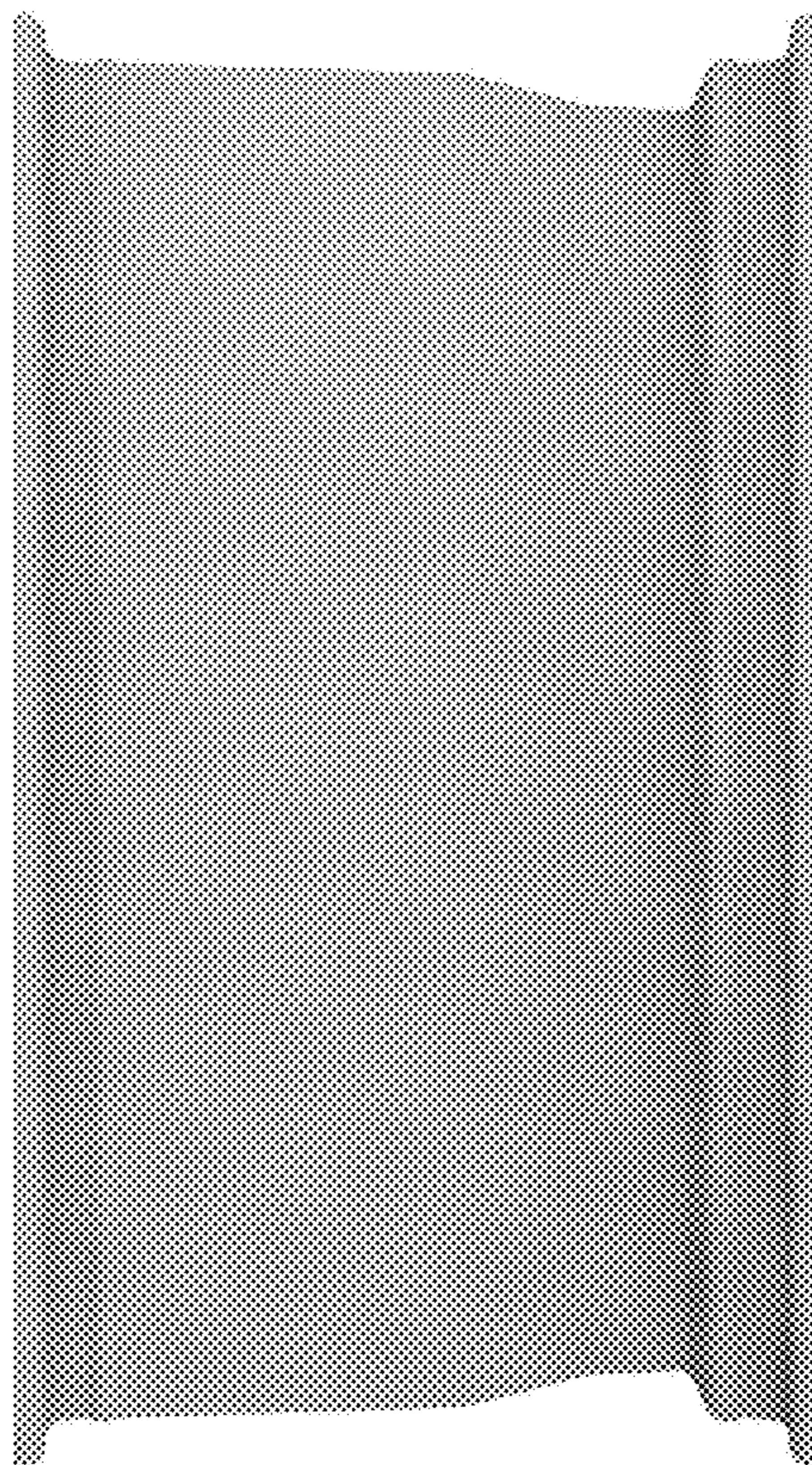


FIGURE 7