



US00D801246S

(12) **United States Design Patent** (10) **Patent No.:** **US D801,246 S**
Lee et al. (45) **Date of Patent:** **** Oct. 31, 2017**

(54) **DOOR FOR VEHICLES**
(71) Applicant: **KIA MOTORS CORPORATION**,
Seoul (KR)
(72) Inventors: **Sang-Jin Lee**, Pohang-si (KR);
Yun-Seok Oh, Seoul (KR)
(73) Assignee: **Kia Motors Corporation**, Seoul (KR)
(**) Term: **15 Years**
(21) Appl. No.: **35/501,256**
(22) Filed: **Jun. 3, 2016**
(80) **Hague Agreement Data**
Int. Filing Date: **Jun. 3, 2016**
Int. Reg. No.: **DM/091530**
Int. Reg. Date: **Jun. 3, 2016**
Int. Reg. Pub. Date: **Jul. 22, 2016**

(30) **Foreign Application Priority Data**
Jan. 4, 2016 (KR) 30 2016 0000039
(51) **LOC (10) Cl.** **12-16**
(52) **U.S. Cl.**
USPC **D12/196**
(58) **Field of Classification Search**
USPC D12/90, 91, 92, 184, 196
CPC B62D 24/00; B62D 24/02; B62D 25/02;
B62D 25/18; B62D 25/08; B62D 35/00;
B60J 5/04; B60R 19/02; B60R 19/04
See application file for complete search history.

(56) **References Cited**
U.S. PATENT DOCUMENTS
D245,975 S * 10/1977 Tixier D12/196
D309,287 S * 7/1990 Envall D12/196
D312,804 S * 12/1990 Okano D12/196
D420,964 S * 2/2000 Sacco D12/196

D442,131 S * 5/2001 Pfeiffer D12/196
D479,700 S * 9/2003 Boyer D12/196
7,111,894 B2 * 9/2006 Kora B60J 5/0416
296/146.1
D556,111 S * 11/2007 Levy D12/196
D598,355 S * 8/2009 Sato D12/196
D653,596 S * 2/2012 Tomatsu D12/196
D659,619 S * 5/2012 Hakamata D12/196
D659,622 S * 5/2012 Matsumoto D12/196
D674,328 S * 1/2013 Ikuma D12/196
D695,663 S * 12/2013 Suga D12/196
D700,121 S * 2/2014 Okue D12/196
D700,875 S * 3/2014 Jevremovic D12/196
D706,190 S * 6/2014 Sakae D12/196
D758,272 S * 6/2016 Sato D12/196
D765,571 S * 9/2016 Faghihzadeh D12/196
D775,566 S * 1/2017 Schneider D12/196
D775,567 S * 1/2017 Faghihzadeh D12/196
D779,407 S * 2/2017 Bae D12/196
D780,082 S * 2/2017 Bae D12/196
D781,194 S * 3/2017 Bae D12/196
D783,483 S * 4/2017 Choi D12/196

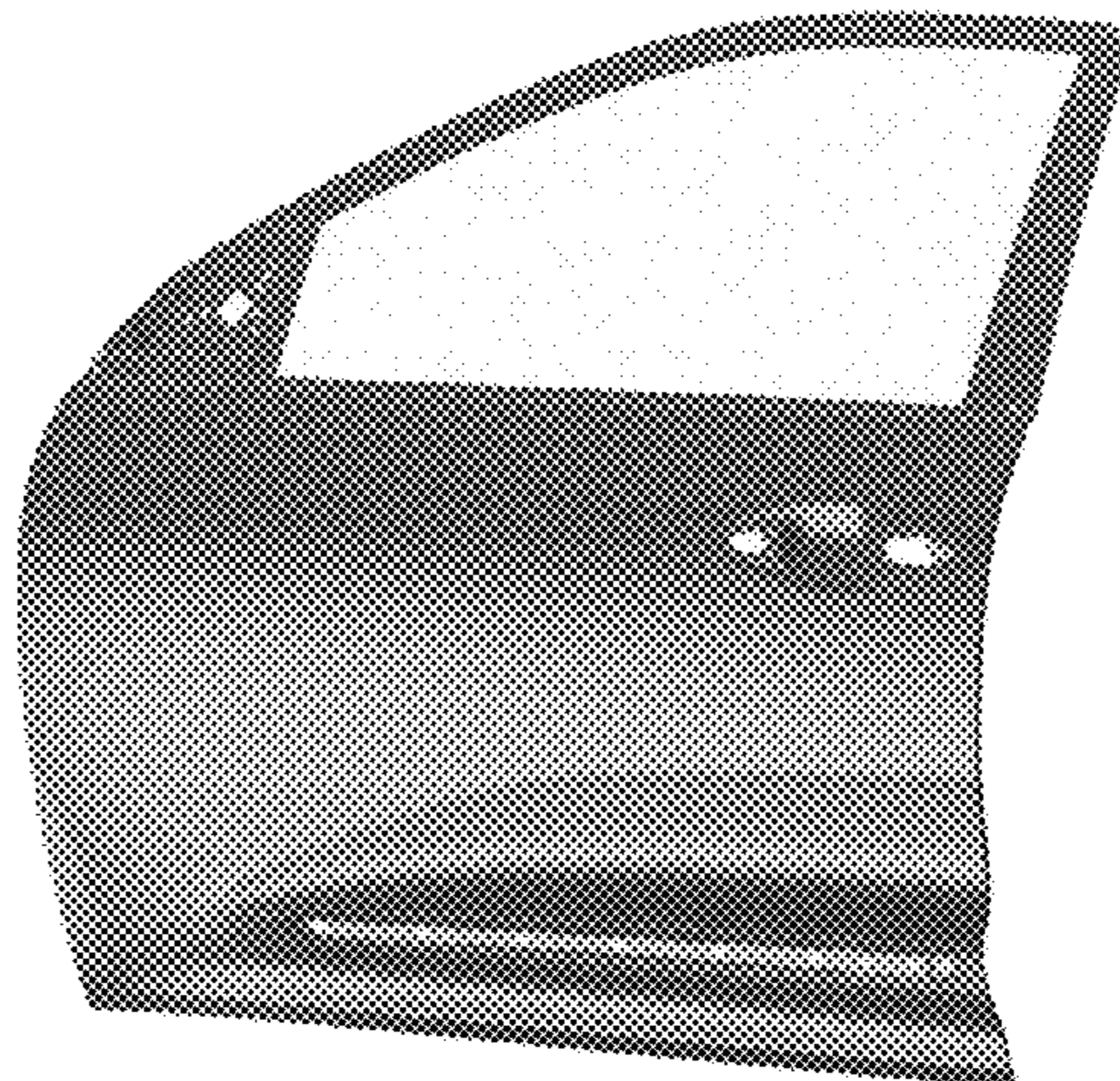
* cited by examiner

Primary Examiner — Darlington Ly
(74) *Attorney, Agent, or Firm* — Mintz Levin Cohn Ferris
Glovsky and Popeo, P.C.; Kongsik Kim

(57) **CLAIM**
The ornamental design for a door for vehicles, as shown and
described.

DESCRIPTION
1. Door for vehicles
1.1 is a perspective view of a door for vehicles showing our
new design;
1.2 is a front elevation view thereof;
1.3 is a rear elevation view thereof;
1.4 is a left side elevation view thereof;
1.5 is a right side elevation view thereof;
1.6 is a top plan view thereof; and
1.7 is a bottom plan view thereof.

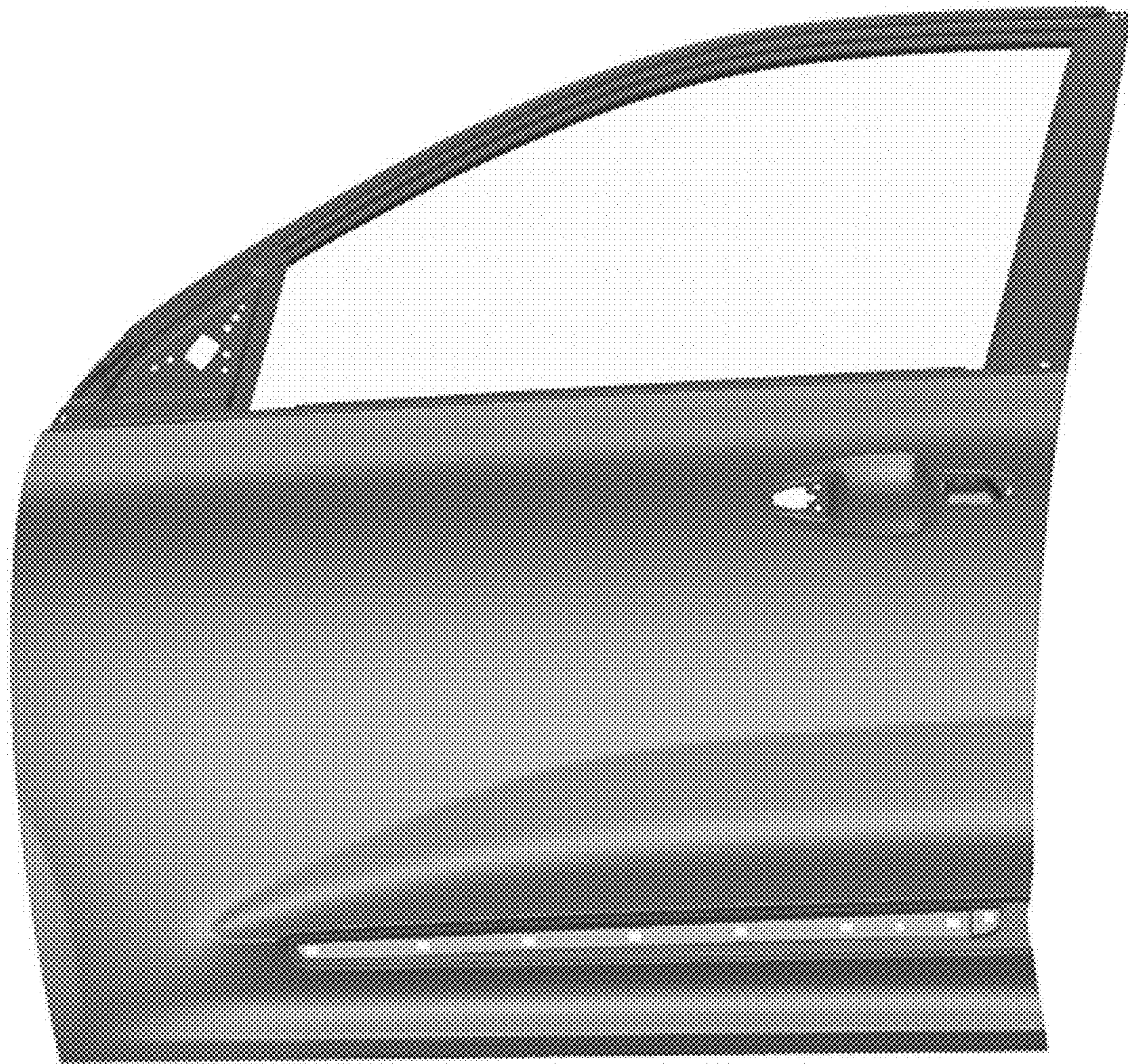
1 Claim, 7 Drawing Sheets



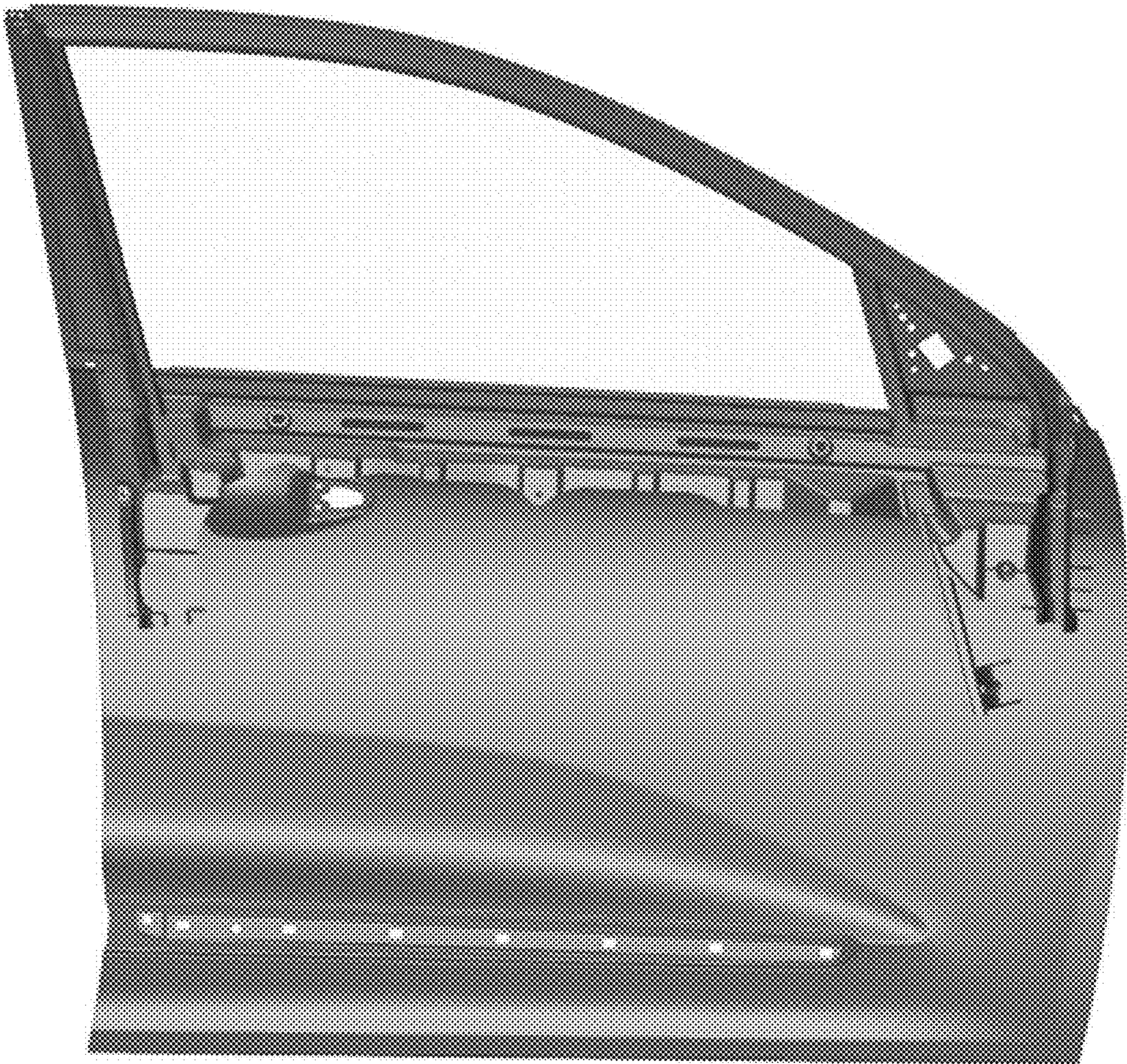
1.1



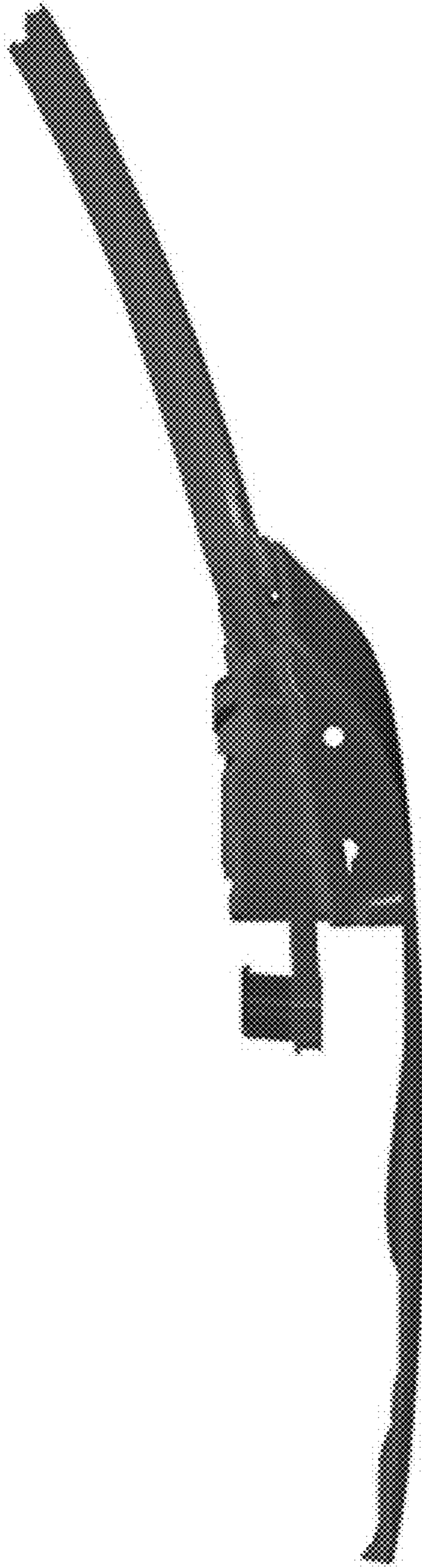
1.2



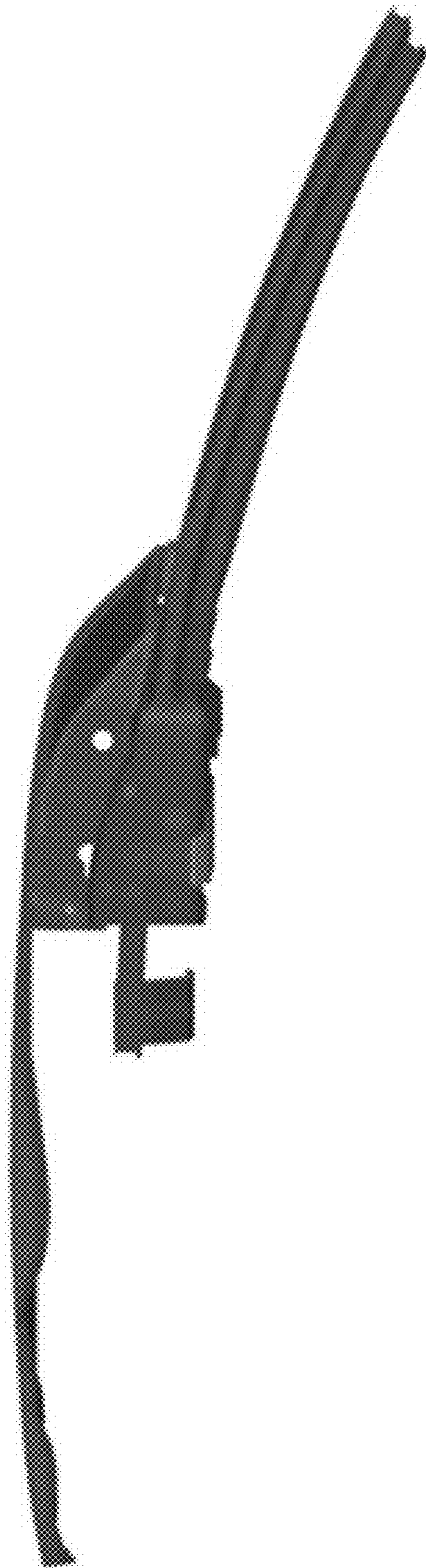
1.3



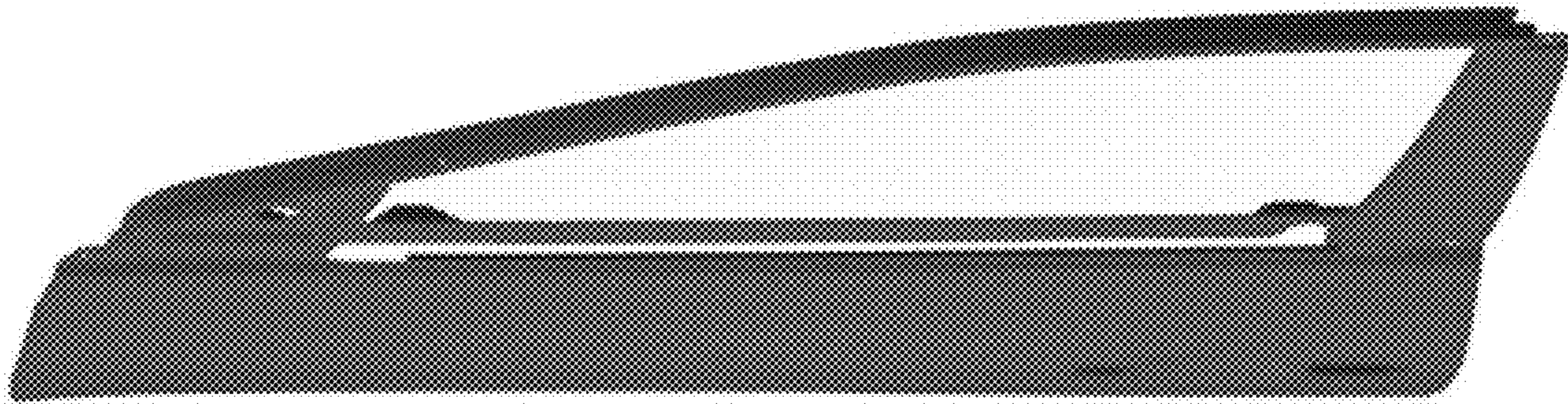
1.4



1.5



1.6



1.7

