



US00D801245S

(12) **United States Design Patent**  
**Giolito**

(10) **Patent No.:** **US D801,245 S**

(45) **Date of Patent:** **\*\* Oct. 31, 2017**

(54) **DASHBOARD**

(71) Applicant: **FCA Italy S.p.A.**, Turin (IT)

(72) Inventor: **Roberto Giolito**, Turin (IT)

(73) Assignee: **FCA ITALY S.p.A.**, Turin (IT)

(\*\*) Term: **15 Years**

(21) Appl. No.: **29/544,848**

(22) Filed: **Nov. 6, 2015**

(30) **Foreign Application Priority Data**

May 21, 2015 (EM) ..... 002704932

(51) **LOC (10) Cl.** ..... **12-16**

(52) **U.S. Cl.**  
USPC ..... **D12/192**

(58) **Field of Classification Search**  
USPC ..... D12/192, 195, 415; D15/17; D10/46, 98  
CPC ..... B60K 37/00; B60K 37/02; B60K 37/04  
See application file for complete search history.

(56) **References Cited**

**U.S. PATENT DOCUMENTS**

D419,936 S *	2/2000	Sacco	.....	D12/192
D539,714 S *	4/2007	Toyama	.....	D12/192
D637,539 S *	5/2011	Welch	.....	D12/192
D641,672 S *	7/2011	Willoughby	.....	D12/192
D641,674 S *	7/2011	Kim	.....	D12/192

D693,753 S *	11/2013	Cheung	.....	D12/192
D704,610 S *	5/2014	Mizuhata	.....	D12/192
D718,200 S *	11/2014	Arnaout	.....	D12/192
D721,996 S *	2/2015	Farcas	.....	D12/192
D721,997 S *	2/2015	Hedge	.....	D12/192
D727,231 S *	4/2015	Narita	.....	D12/192
D727,816 S *	4/2015	Takagi	.....	D12/192

\* cited by examiner

*Primary Examiner* — Phillip S Hyder

(74) *Attorney, Agent, or Firm* — Cowan, Liebowitz & Latman P.C.

(57) **CLAIM**

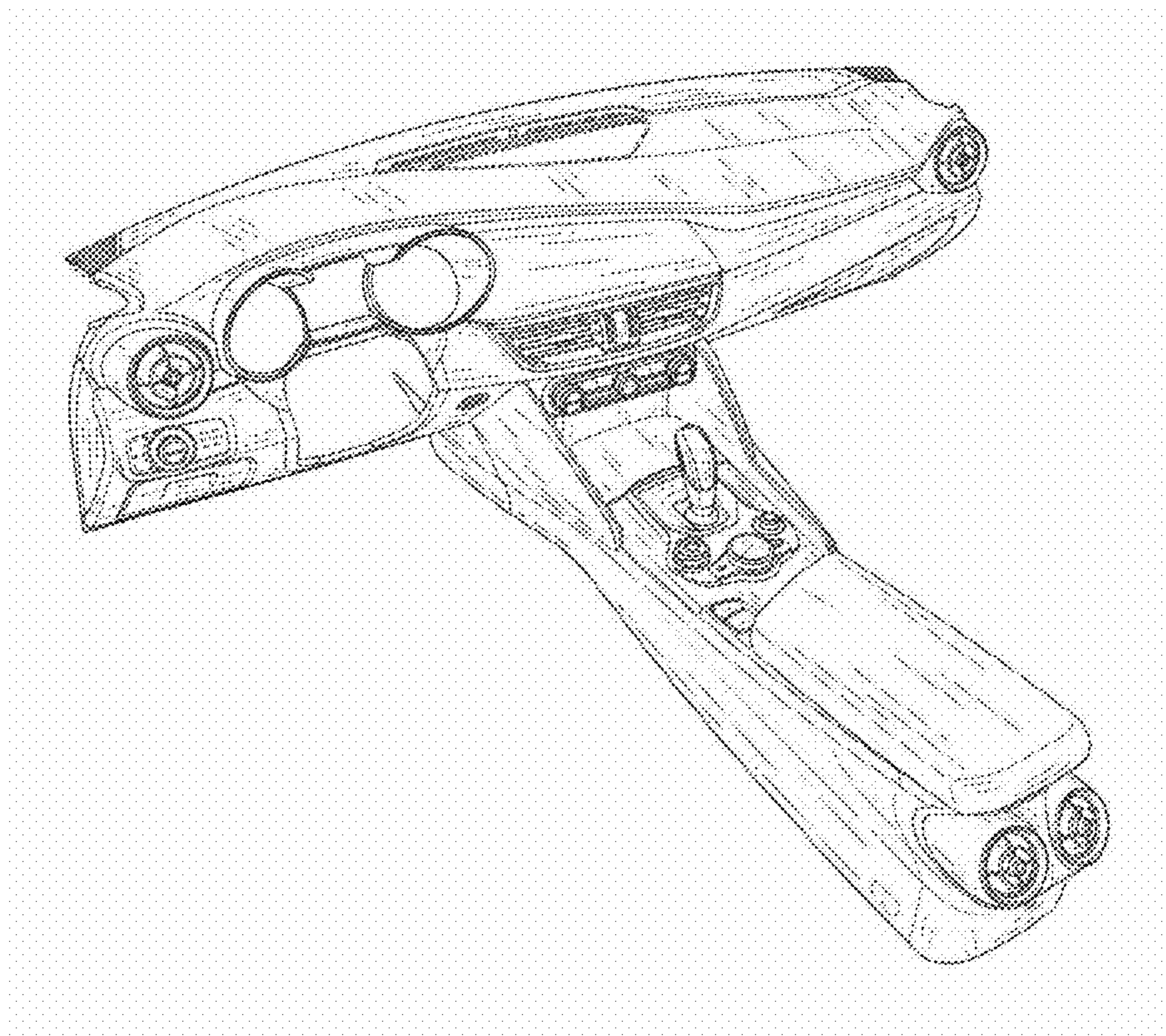
The ornamental design for a dashboard, as shown and described.

**DESCRIPTION**

FIG. 1 is a left perspective view of the dashboard showing my design thereof;  
FIG. 2 is a right perspective view thereof;  
FIG. 3 is another right perspective view thereof;  
FIG. 4 is a front view thereof;  
FIG. 5 is a right side view thereof;  
FIG. 6 is a left side view thereof; and,  
FIG. 7 is a top view thereof.

The broken lines depict portions of the dashboard in which the design is embodied that are not considered part of the claimed design.

**1 Claim, 7 Drawing Sheets**



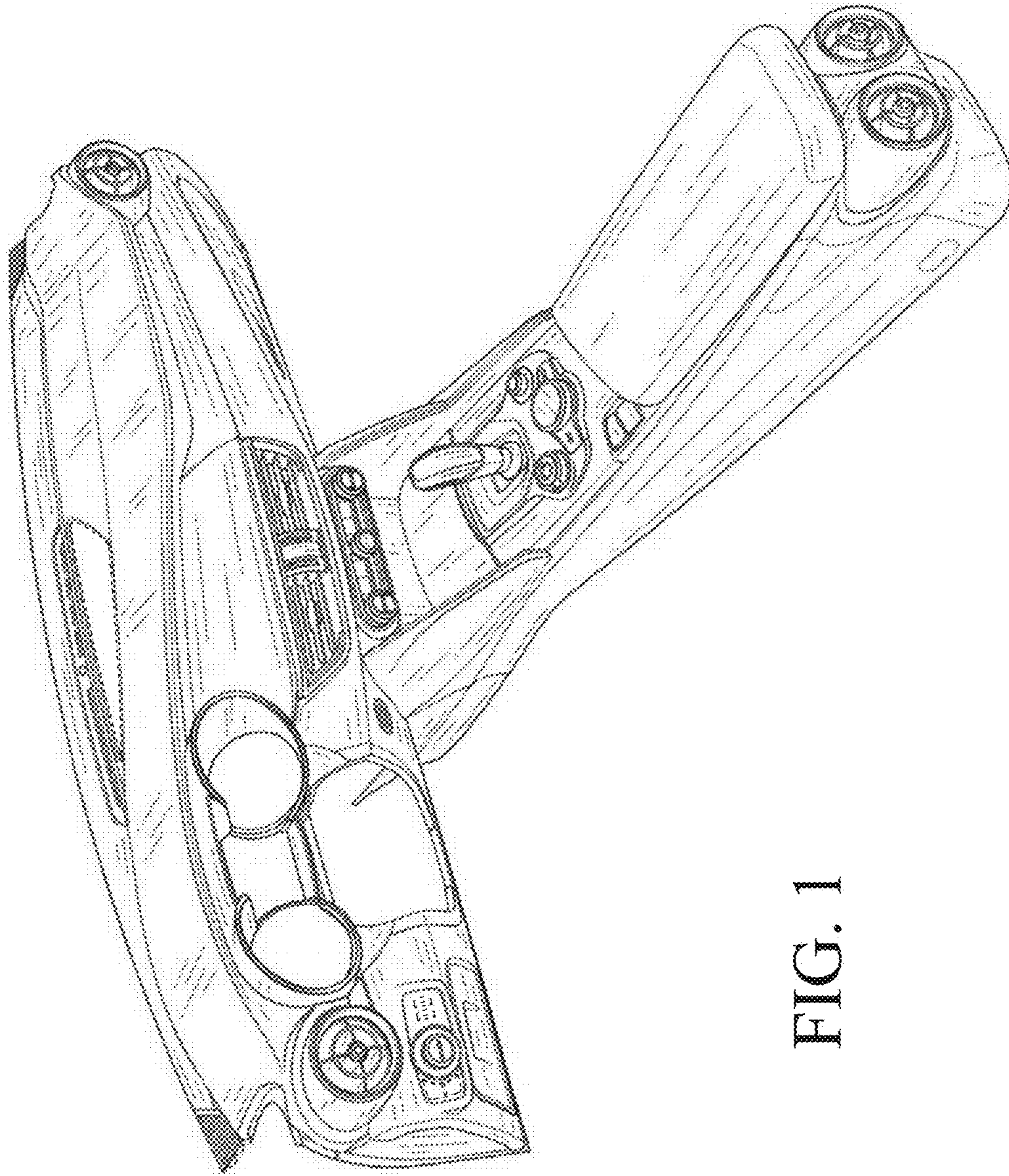


FIG. 1

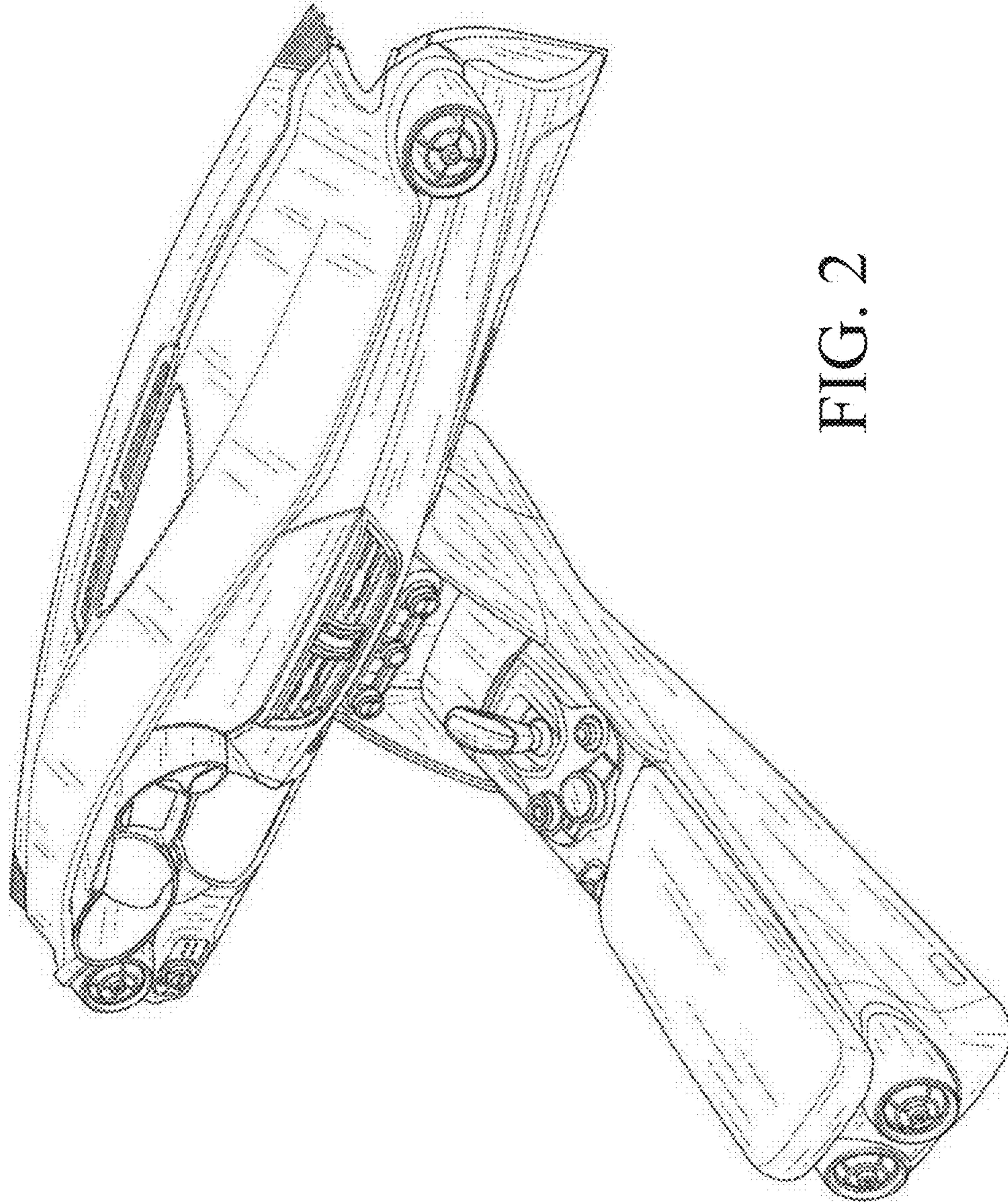


FIG. 2

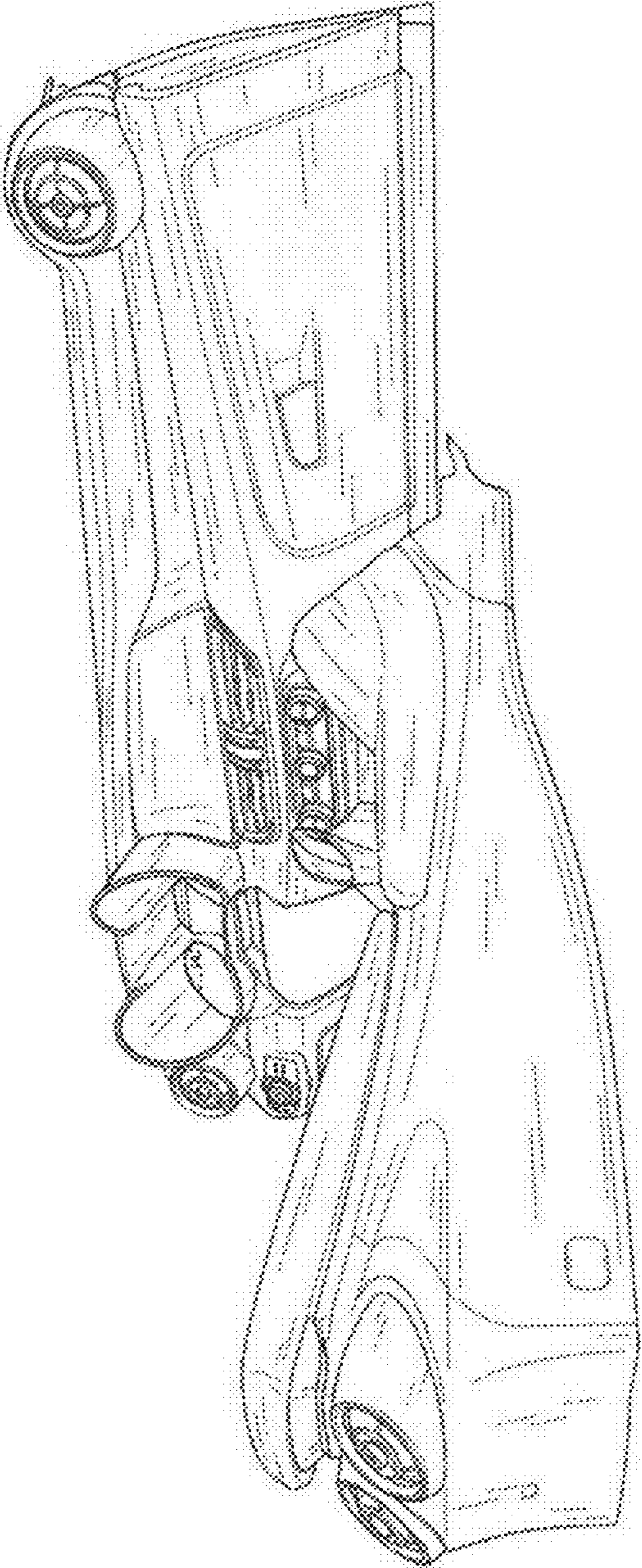


FIG. 3

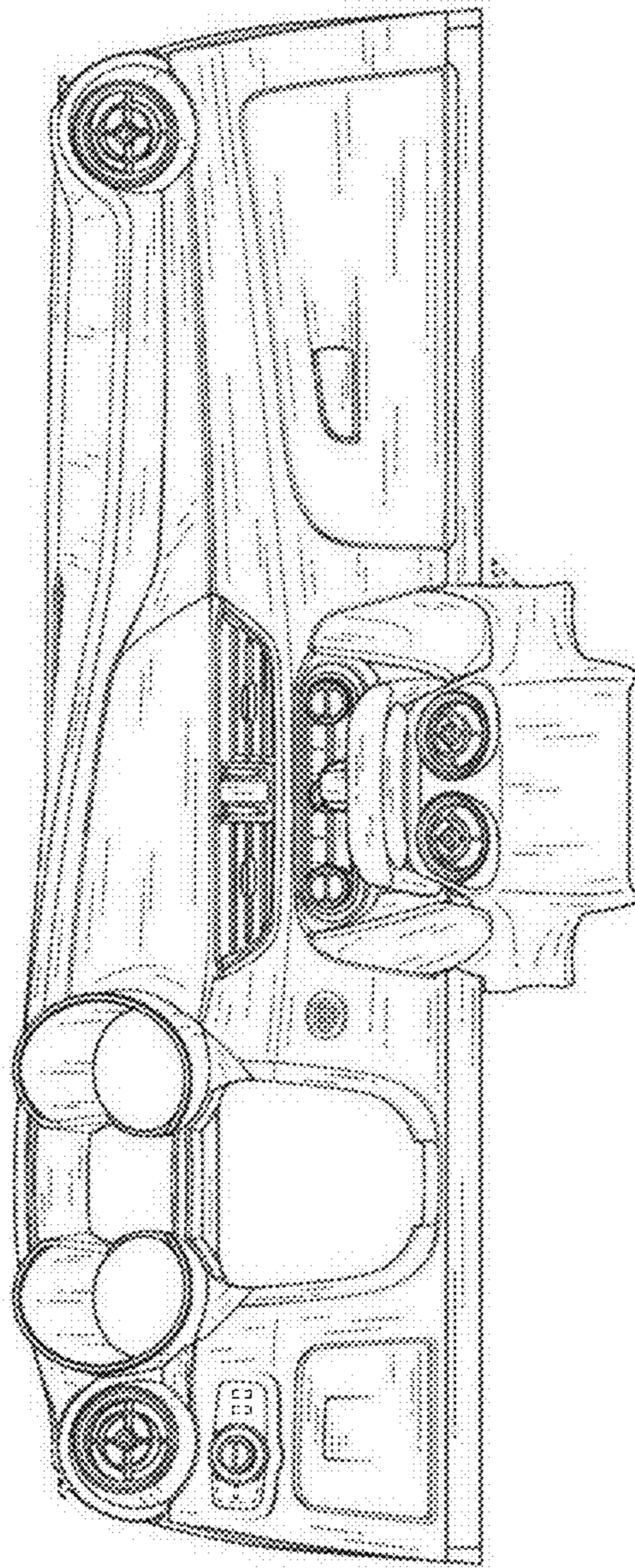


FIG. 4



FIG. 5



FIG. 6

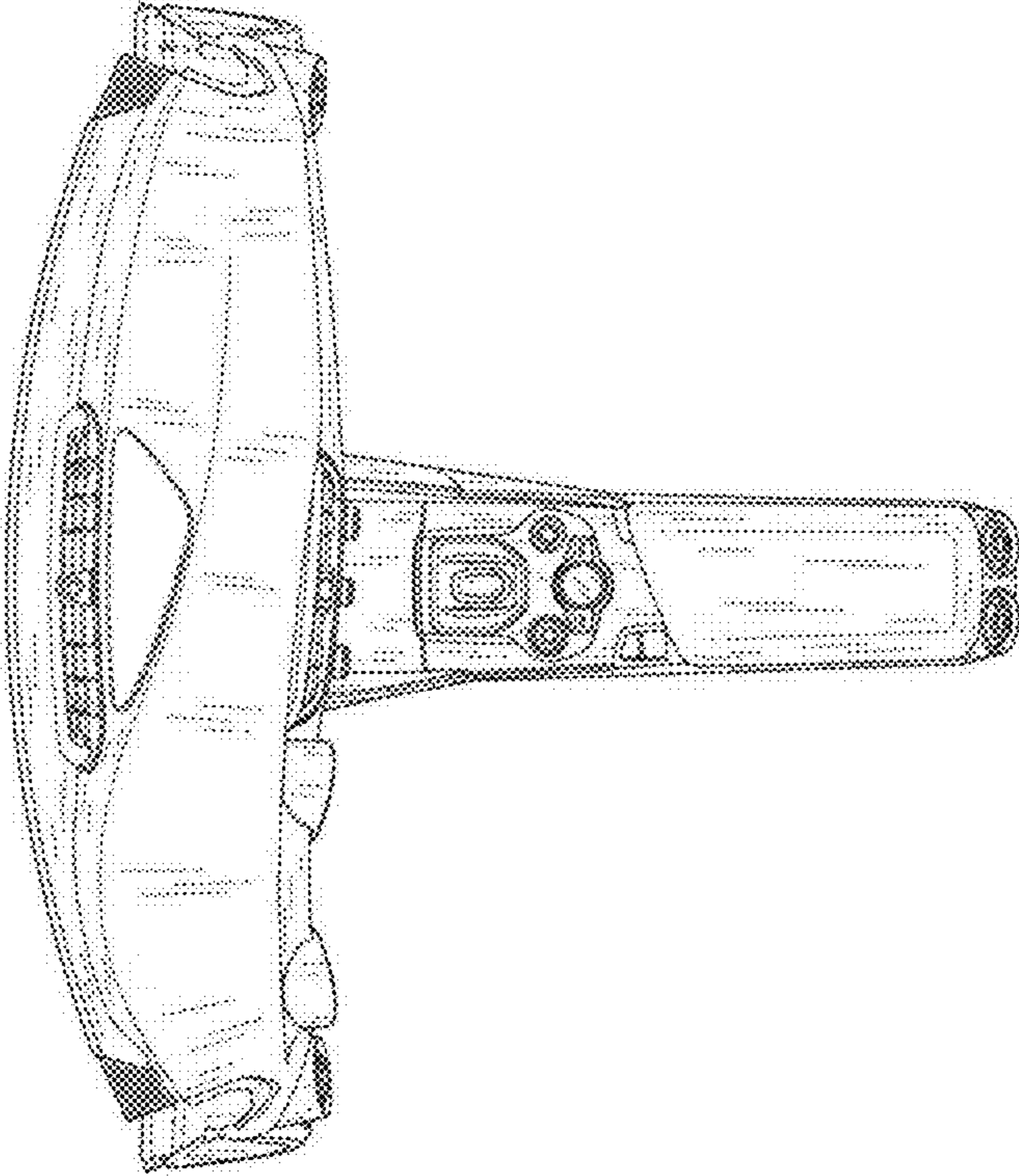


FIG. 7