



US00D801244S

(12) **United States Design Patent** (10) **Patent No.:** **US D801,244 S**  
**Shu** (45) **Date of Patent:** **\*\* Oct. 31, 2017**

(54) **ROLL-UP BLIND FOR A VEHICLE WINDOW**

(71) Applicant: **Randi Shu**, Harrison, NJ (US)

(72) Inventor: **Randi Shu**, Harrison, NJ (US)

(\*\*) Term: **15 Years**

(21) Appl. No.: **29/549,635**

(22) Filed: **Dec. 28, 2015**

(51) **LOC (10) Cl.** ..... **12-16**

(52) **U.S. Cl.**  
USPC ..... **D12/183**

(58) **Field of Classification Search**

USPC ..... D12/183, 191

CPC . B60J 1/20; B60J 3/0208; B60J 1/2008; B60J 1/2005; B60J 1/2002; B60J 3/0204

See application file for complete search history.

(56) **References Cited**

U.S. PATENT DOCUMENTS

D625,673 S *	10/2010	Rodriguez	.....	D12/183
D695,170 S *	12/2013	Eskandry	.....	D12/183
D721,628 S *	1/2015	Eskandry	.....	D12/183
D735,628 S *	8/2015	Eskandry	.....	D12/183
D773,969 S *	12/2016	Akins	.....	D12/183
D778,794 S *	2/2017	Bouie	.....	D12/183
2006/0186690 A1 *	8/2006	Taqvi	.....	B60J 1/2011
				296/97.1
2009/0195014 A1 *	8/2009	Gathman	.....	B60J 1/20
				296/152
2012/0247025 A1 *	10/2012	El-Segal	.....	B60R 21/12
				49/489.1

(Continued)

Primary Examiner — Katrina A Betton

(74) Attorney, Agent, or Firm — Thomas L. Adams

(57) **CLAIM**

The ornamental design for a roll-up blind for a vehicle window, as shown and described.

**DESCRIPTION**

FIG. 1 is a perspective view of a roll-up blind for a vehicle window showing my new design, with the blind winder being shown in phantom lines;

FIG. 2 is a rear elevational view thereof, with the blind winder being shown in phantom lines;

FIG. 3 is a front elevational view thereof, with the blind winder being shown in phantom lines;

FIG. 4 is a right elevational view thereof, the left elevational view being the mirror image thereof, and with the blind winder being shown in phantom lines;

FIG. 5 is a top view thereof, with the blind winder being shown in phantom lines;

FIG. 6 is a bottom view thereof, with the blind winder being shown in phantom lines;

FIG. 7 is a perspective view thereof but with the roll-up blind for a vehicle window extending further from the blind winder, which winder is shown in phantom lines;

FIG. 8 is a rear elevational view thereof, with the blind winder being shown in phantom lines;

FIG. 9 is a front elevational view thereof, with the blind winder being shown in phantom lines;

FIG. 10 is a left elevational view thereof, the right elevational view being the mirror image thereof, and with the blind winder being shown in phantom lines;

FIG. 11 is perspective view of a second embodiment of a roll-up blind for a vehicle window showing my new design, with the blind winder being shown in phantom lines;

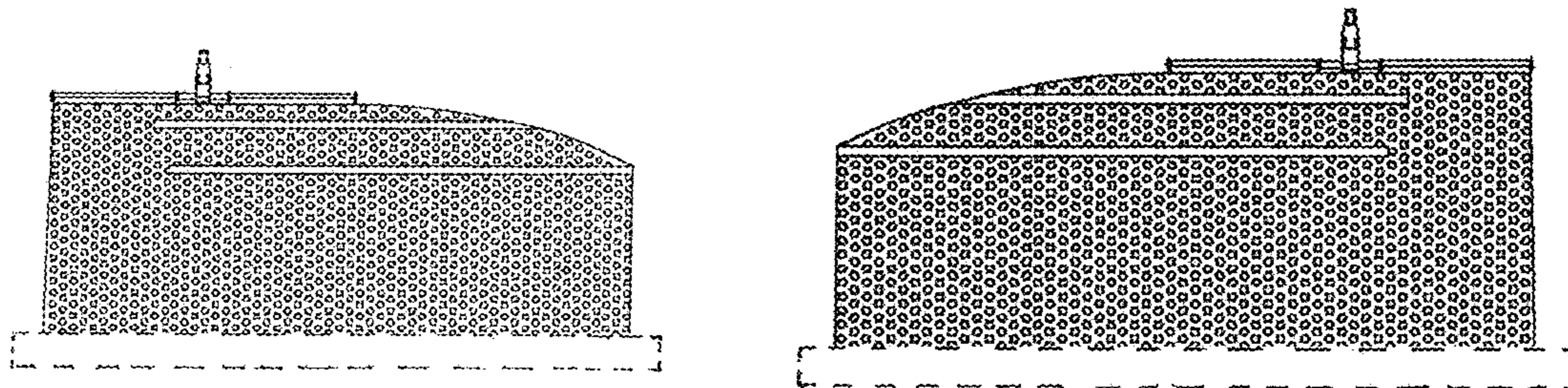
FIG. 12 is a rear elevational view thereof, with the blind winder being shown in phantom lines;

FIG. 13 is a left elevational view thereof, the right elevational view being the mirror image thereof, and with the blind winder being shown in phantom lines; and,

FIG. 14 is a front elevational view thereof, with the blind winder being shown in phantom lines; and the top and bottom views thereof being as shown in FIGS. 5 and 6, respectively.

The broken phantom lines depict unclaimed subject matter only and form no part of the claimed design.

**1 Claim, 6 Drawing Sheets**



(56)

**References Cited**

U.S. PATENT DOCUMENTS

2015/0075736 A1\* 3/2015 Gong ..... B60J 1/2011  
160/370.21

\* cited by examiner

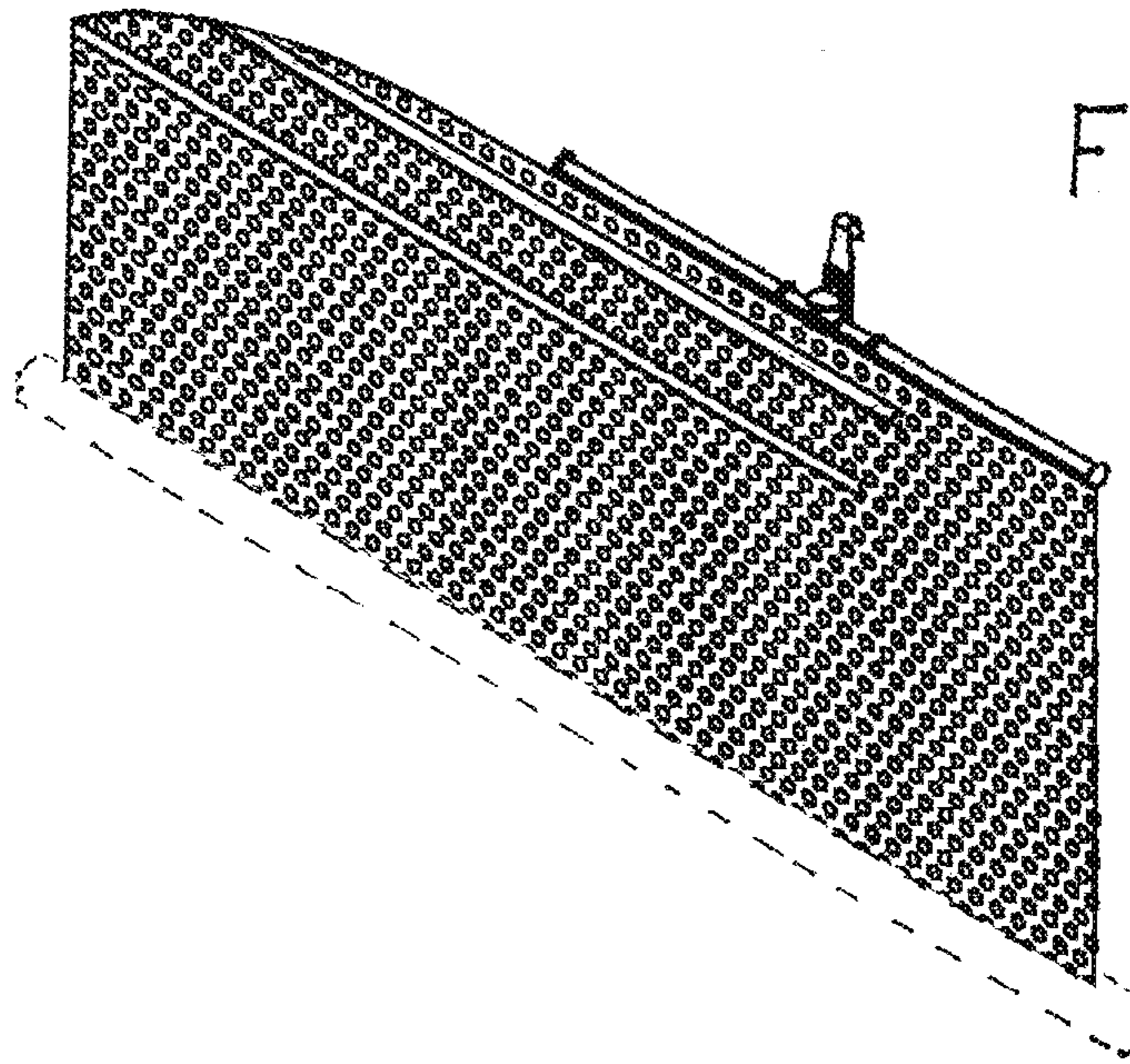


FIG. 1

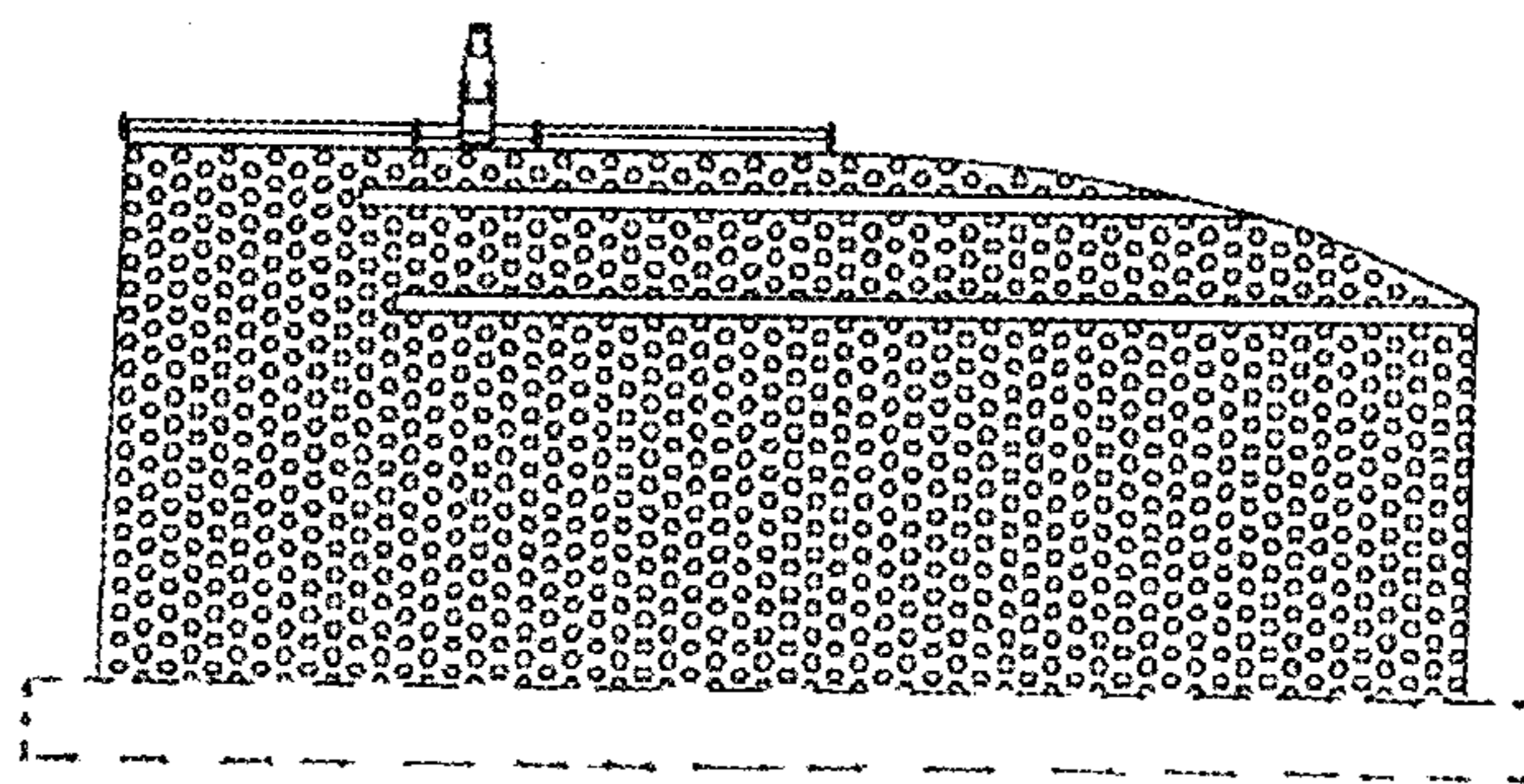


FIG. 2

FIG. 4



FIG. 3

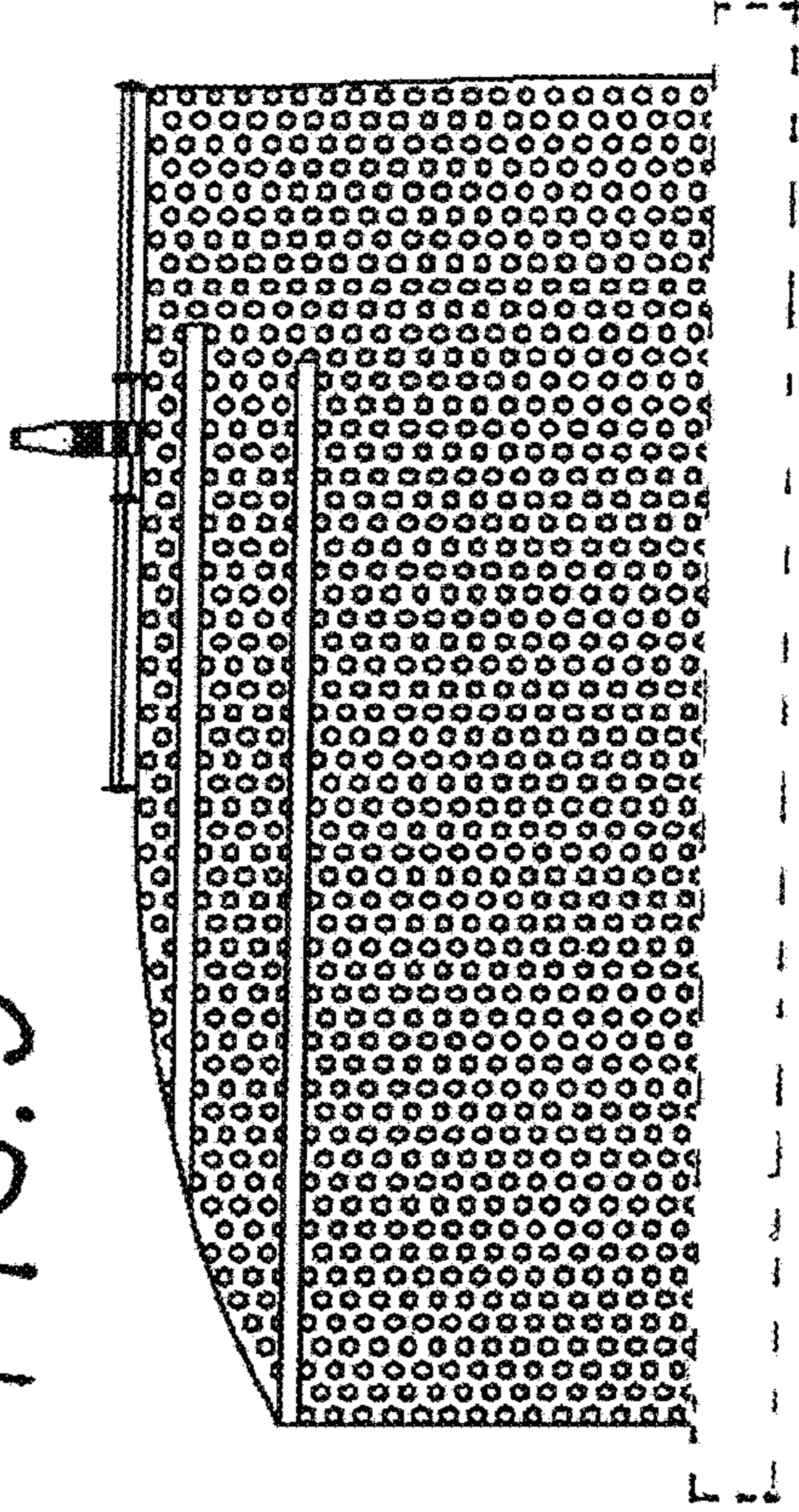


FIG. 5

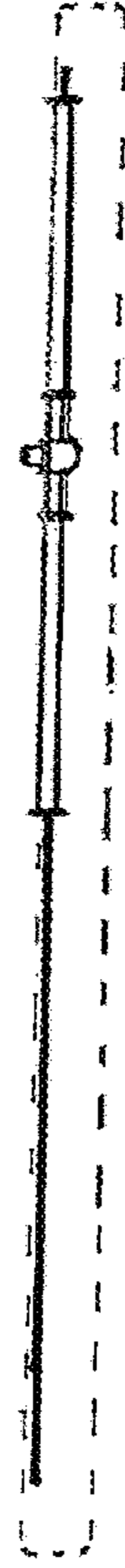


FIG. 6



FIG. 7

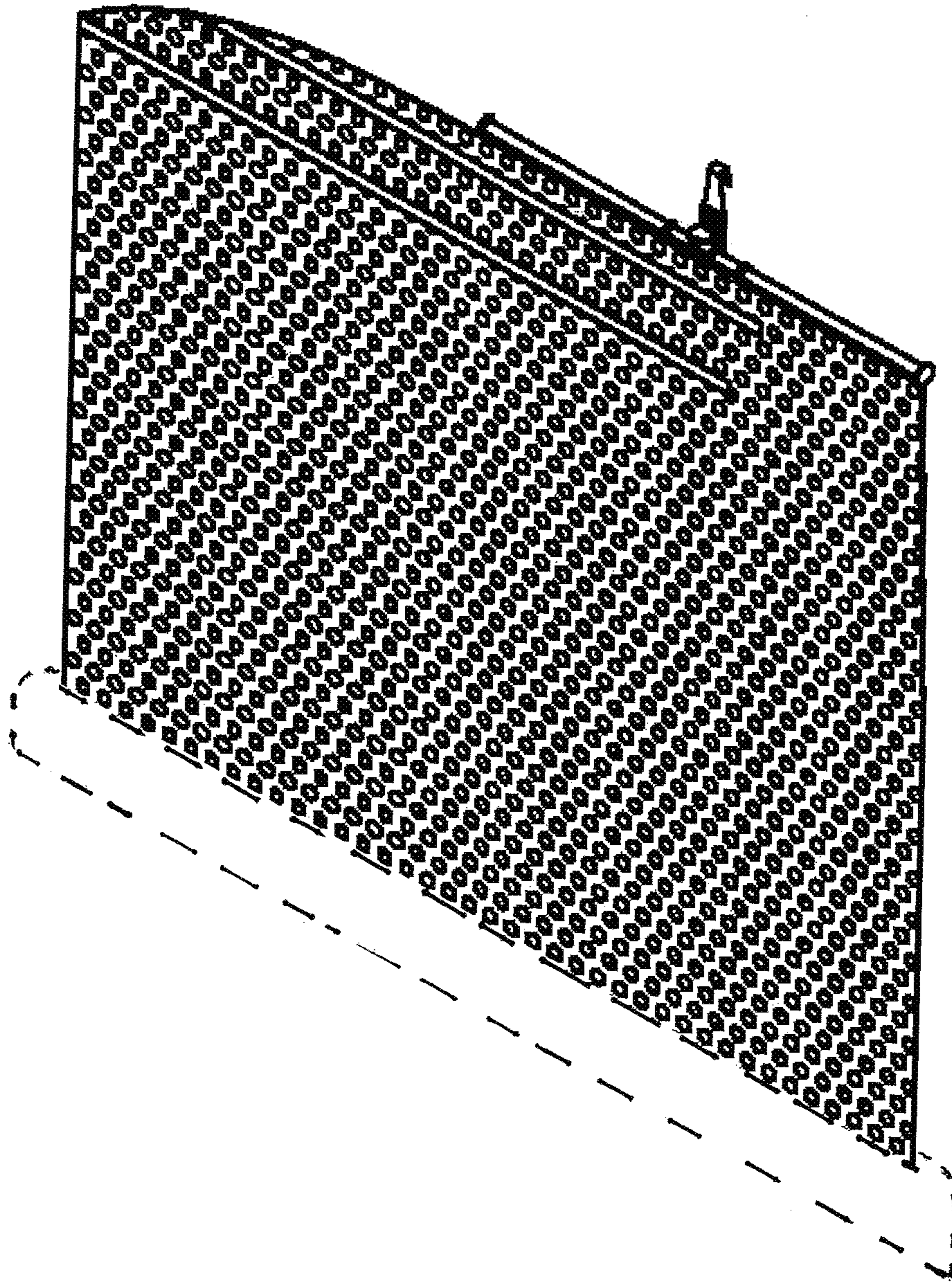


FIG. 10



FIG. 8

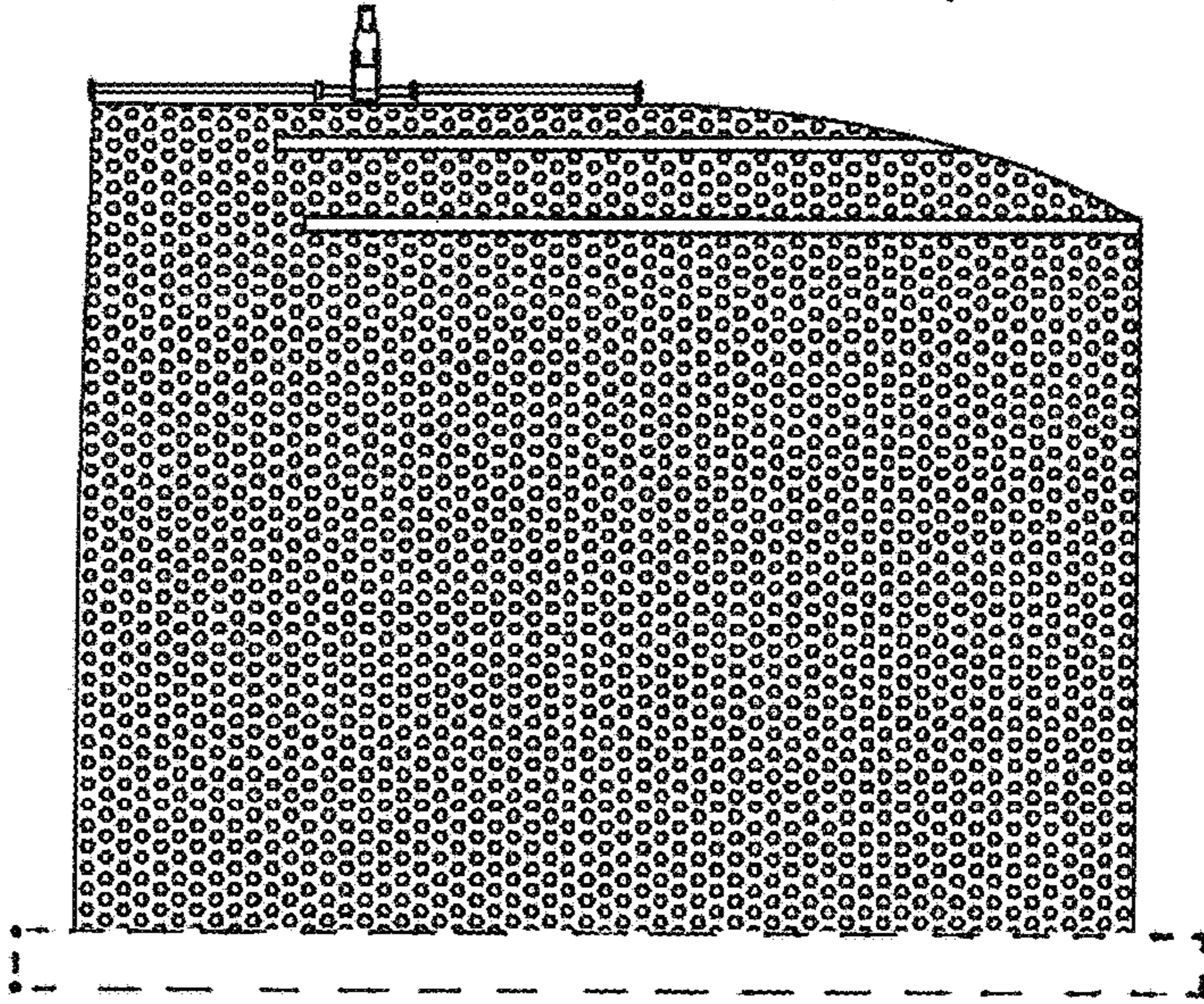
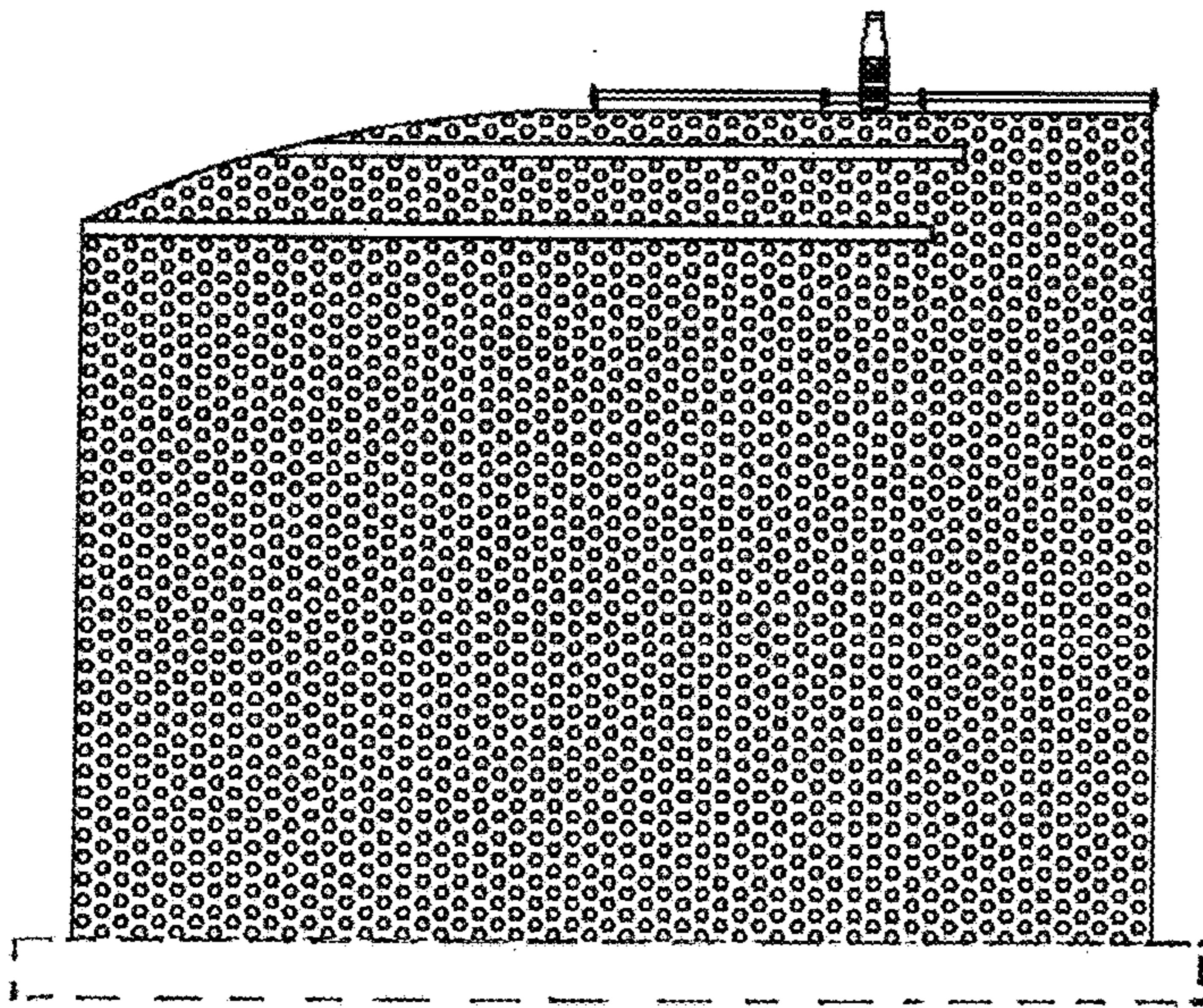


FIG. 9



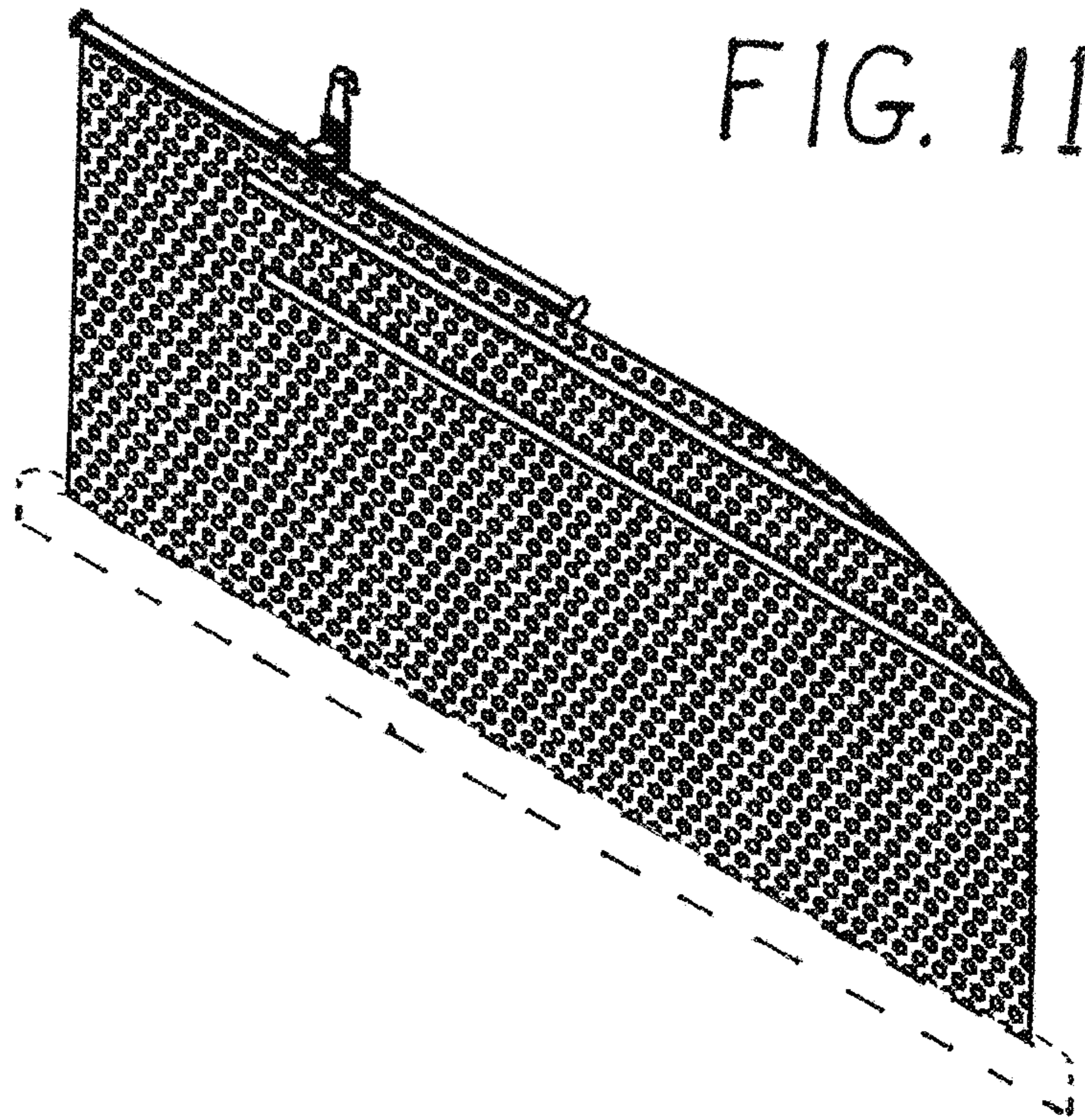


FIG. 11

FIG. 12

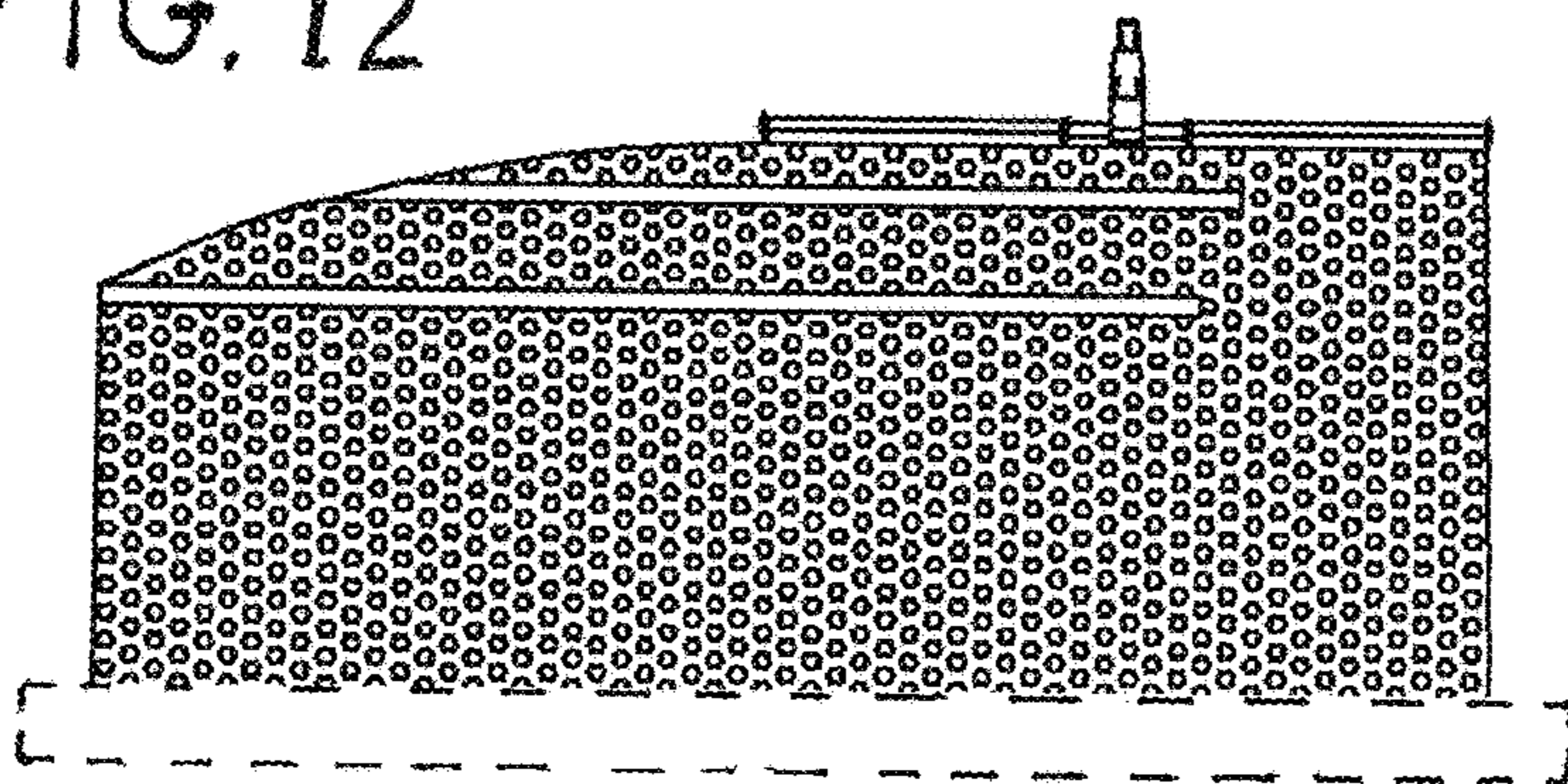


FIG. 13

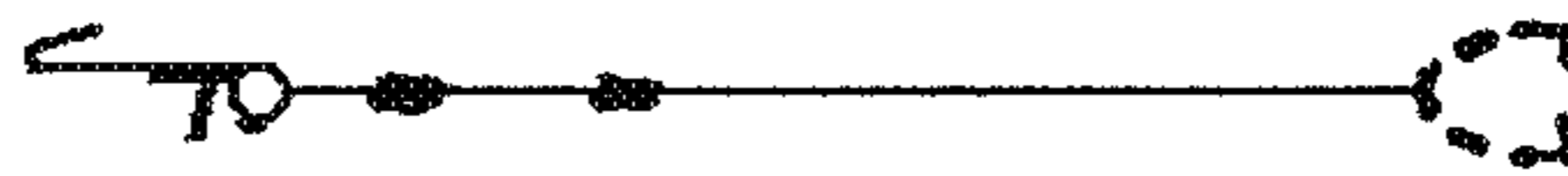


FIG. 14

