



US00D801242S

(12) **United States Design Patent**
Kim

(10) **Patent No.:** **US D801,242 S**
(45) **Date of Patent:** **** Oct. 31, 2017**

(54) **AUTOMOTIVE STEERING WHEEL**

D649,095 S 11/2011 Frank et al.
D663,244 S * 7/2012 Won D12/176
D671,464 S 11/2012 Baccus et al.

(71) Applicant: **SAMSUNG DISPLAY CO., LTD.**,
Yongin-si, Gyeonggi-do (KR)

(Continued)

(72) Inventor: **Min Soo Kim**, Seoul (KR)

FOREIGN PATENT DOCUMENTS

(73) Assignee: **Samsung Display Co., Ltd.**, Yongin-si
(KR)

JP D1490386 S 1/2014
JP D1490598 S 1/2014

(**) Term: **15 Years**

OTHER PUBLICATIONS

(21) Appl. No.: **29/576,342**

U.S. Notice of Allowance dated May 22, 2017, issued in cross-reference U.S. Appl. No. 29/576,346 (9 pages).

(22) Filed: **Sep. 1, 2016**

(Continued)

(30) **Foreign Application Priority Data**

Mar. 3, 2016 (KR) 30-2016-0009817

Primary Examiner — Manpreet Matharu

Assistant Examiner — Yolanda Robinson

(74) *Attorney, Agent, or Firm* — Lewis Roca Rothgerber
Christie LLP

(51) **LOC (10) Cl.** **12-16**

(52) **U.S. Cl.**
USPC **D12/177**

(57) **CLAIM**

The ornamental design for automotive steering wheel, as shown and described.

(58) **Field of Classification Search**
USPC D12/175, 176, 177; D14/401, 414;
D21/333, 385, 477, 566; 74/552, 558;
340/475, 476, 477; 434/69, 70, 71;
70/62

DESCRIPTION

CPC B60Q 1/1461; B60K 37/06; B60R 16/037;
B62D 1/16; B62D 1/04
See application file for complete search history.

FIG. 1 is a perspective view of an automotive steering wheel;
FIG. 2 is a front view thereof;
FIG. 3 is a rear view thereof;
FIG. 4 is a left side view thereof;
FIG. 5 is a right side view thereof;
FIG. 6 is a top view thereof;
FIG. 7 is a bottom view thereof; and,
FIG. 8 is a perspective view thereof.

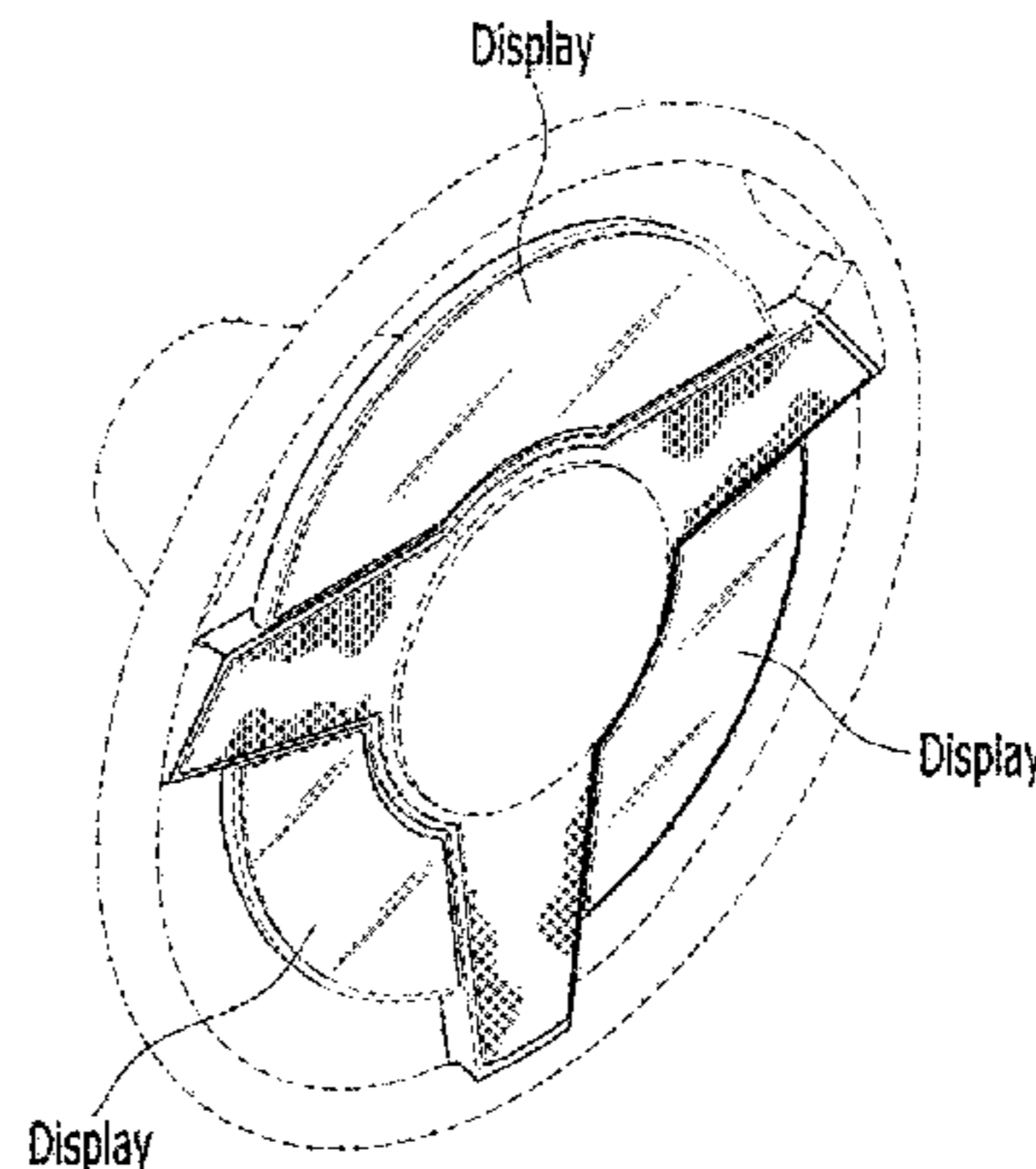
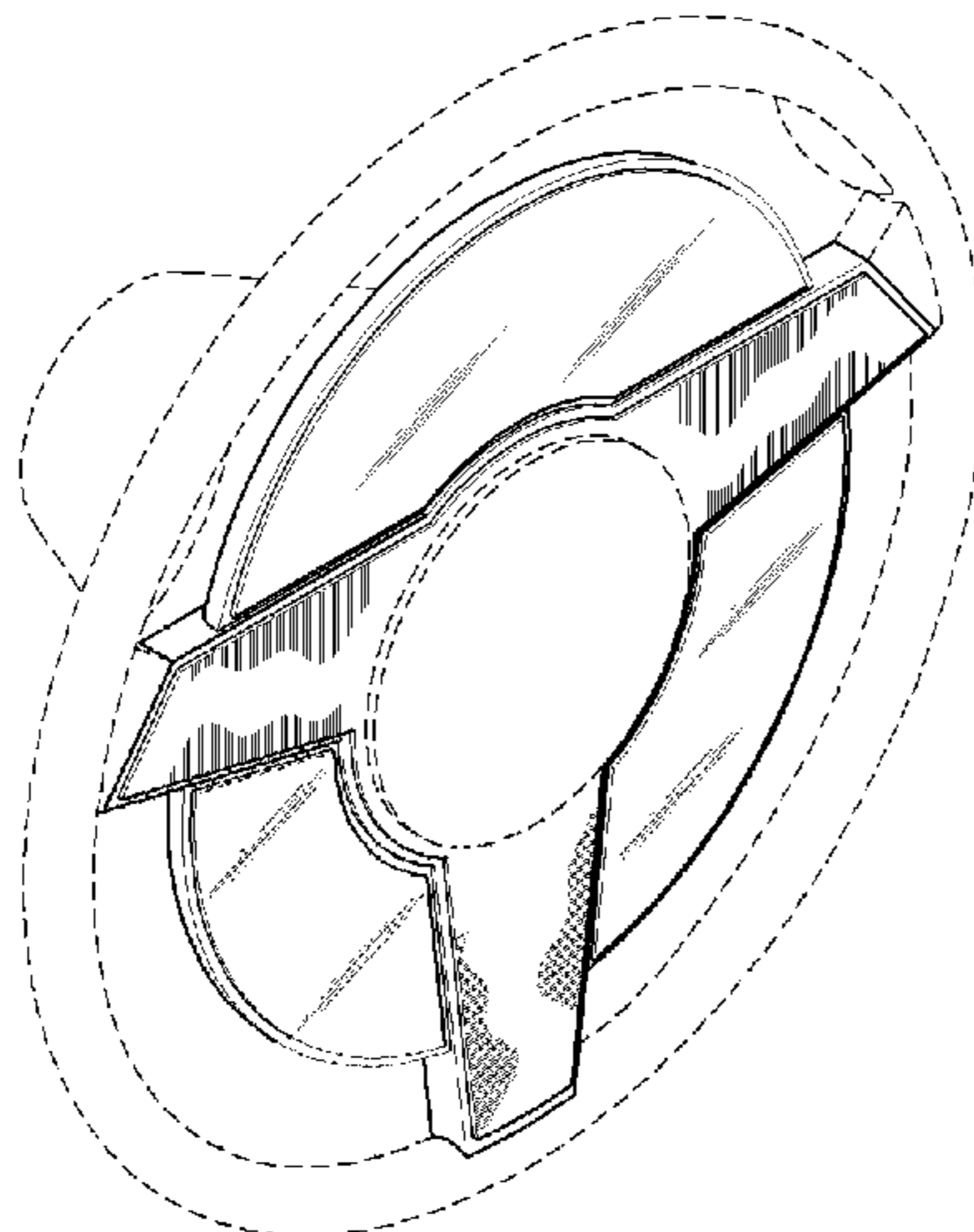
The automotive steering wheel includes displays that can display images. The displays are shown in FIG. 8. The broken lines shown in the drawings illustrate portions of the automotive steering wheel that form no part of the claimed design. The text and lead lines shown in FIG. 8 are for illustrative purposes only and form no part of the claimed design.

(56) **References Cited**

U.S. PATENT DOCUMENTS

D434,086 S * 11/2000 Ford D21/328
D480,668 S * 10/2003 Ohm D12/176
D587,176 S * 2/2009 Yang D12/176
D602,096 S * 10/2009 Ashida D14/414
D630,983 S 1/2011 Frank et al.
D636,711 S * 4/2011 Anzi D12/176
D644,580 S * 9/2011 Markowitz D12/176
D647,441 S * 10/2011 Anzi D12/176

1 Claim, 8 Drawing Sheets



(56)

References Cited

U.S. PATENT DOCUMENTS

D696,992 S 1/2014 Pohanka et al.
D697,851 S 1/2014 Woo et al.
D703,594 S 4/2014 Kim et al.
D704,108 S 5/2014 Frank et al.
D716,203 S 10/2014 Nakai
D723,448 S 3/2015 Woo et al.
D741,759 S 10/2015 Persson et al.
D743,858 S 11/2015 Sugiura
D743,860 S 11/2015 Nagumo
D758,932 S 6/2016 Schowalter
D758,933 S 6/2016 Owaku
D760,134 S 6/2016 Montousse et al.
D768,520 S * 10/2016 Lisseman D10/104.1
D768,521 S * 10/2016 Lisseman D10/104.1
D770,342 S 11/2016 Pohanka

D772,124 S 11/2016 Lee et al.
D775,563 S * 1/2017 Shan D12/192
D776,584 S 1/2017 Meissner et al.
D784,871 S * 4/2017 Lee D12/176
2008/0079241 A1 4/2008 Fujimori et al.
2009/0314128 A1* 12/2009 Rick B62D 1/065
74/558
2013/0133468 A1* 5/2013 Rancan B62D 1/04
74/552
2016/0159396 A1* 6/2016 Watanabe B62D 1/046
701/36

OTHER PUBLICATIONS

U.S. Office Action dated Jun. 15, 2017, issued in cross-reference
U.S. Appl. No. 29/576,344 (8 pages).

* cited by examiner

FIG. 1

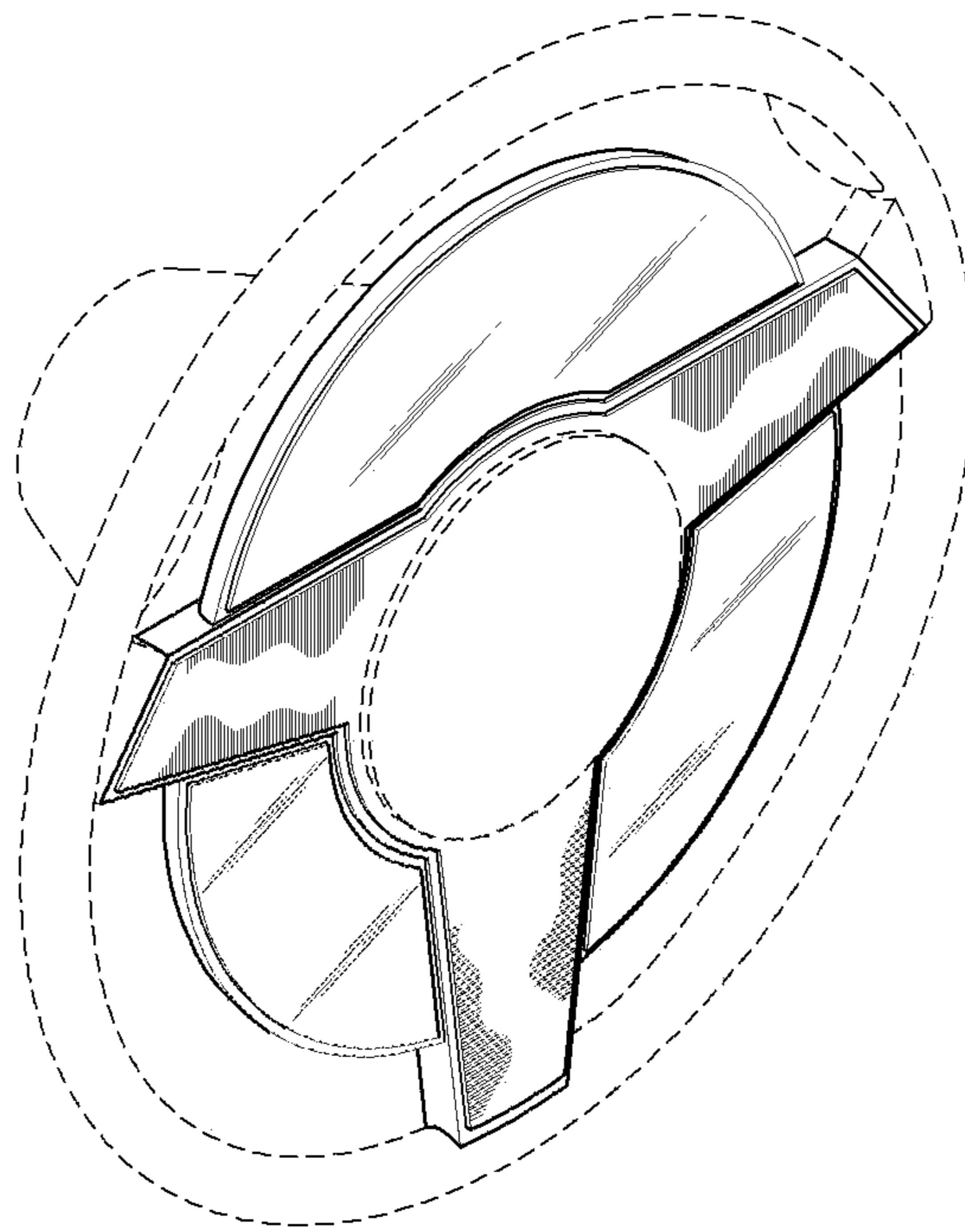


FIG. 2

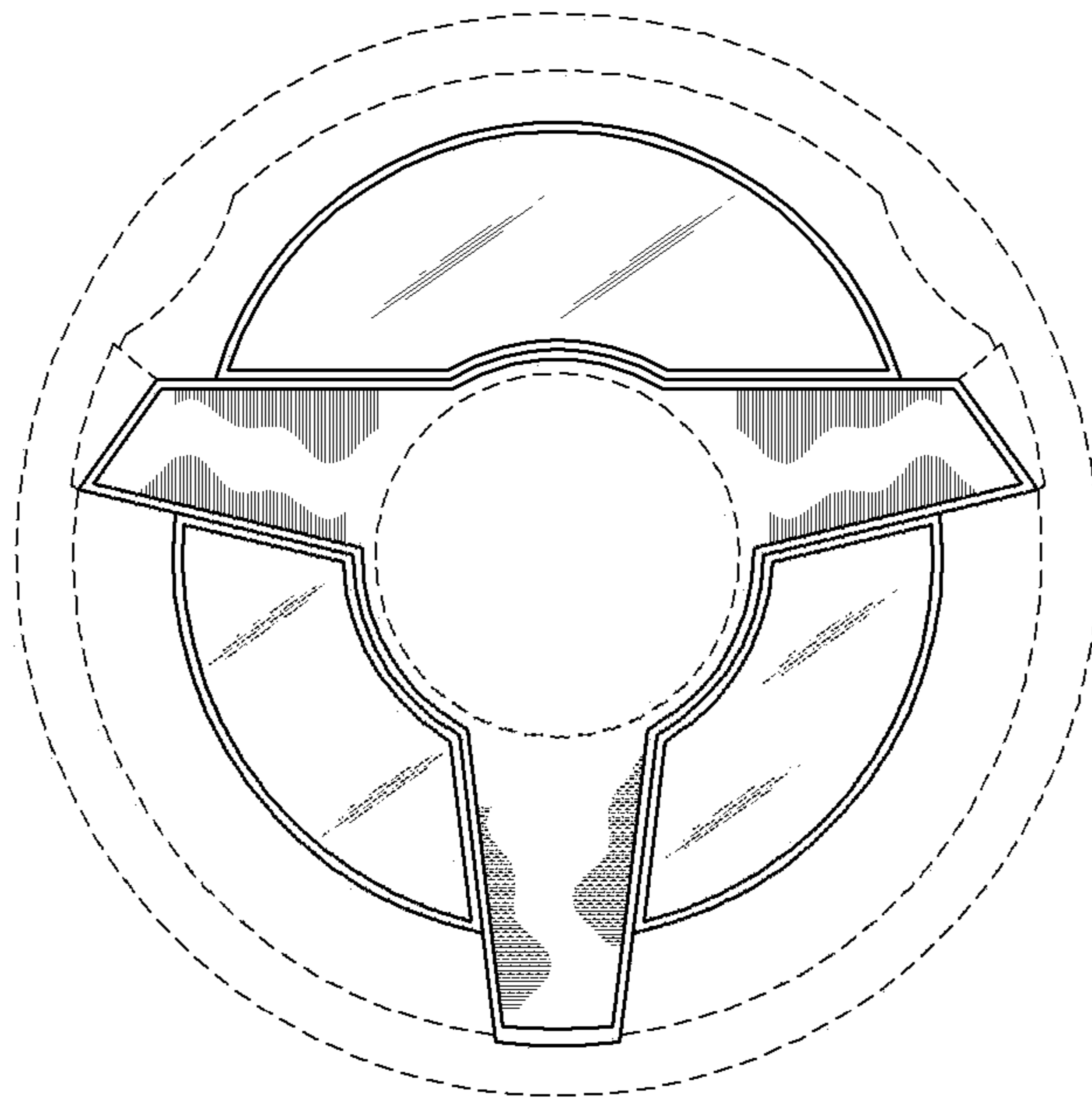


FIG. 3

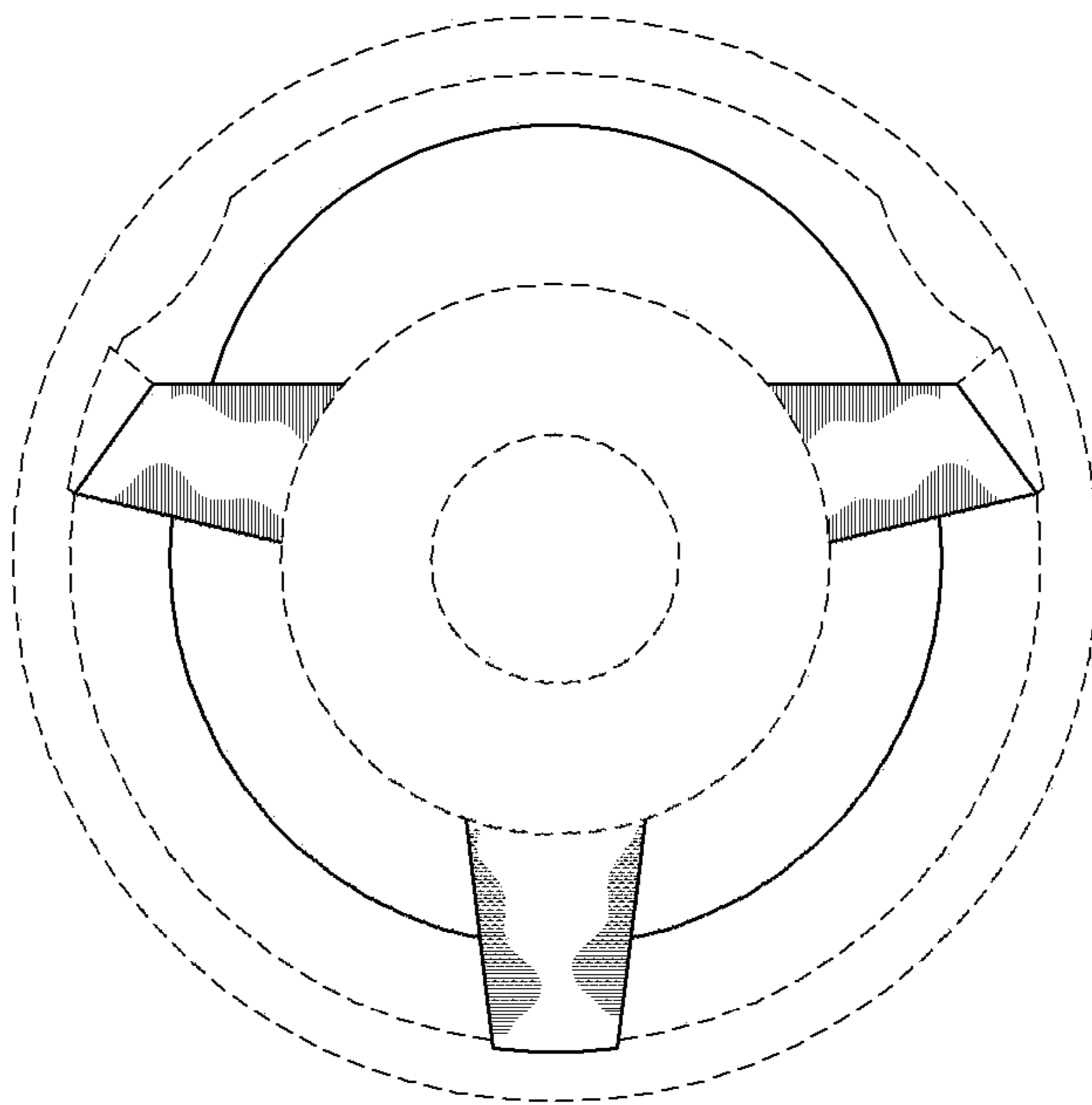


FIG. 4

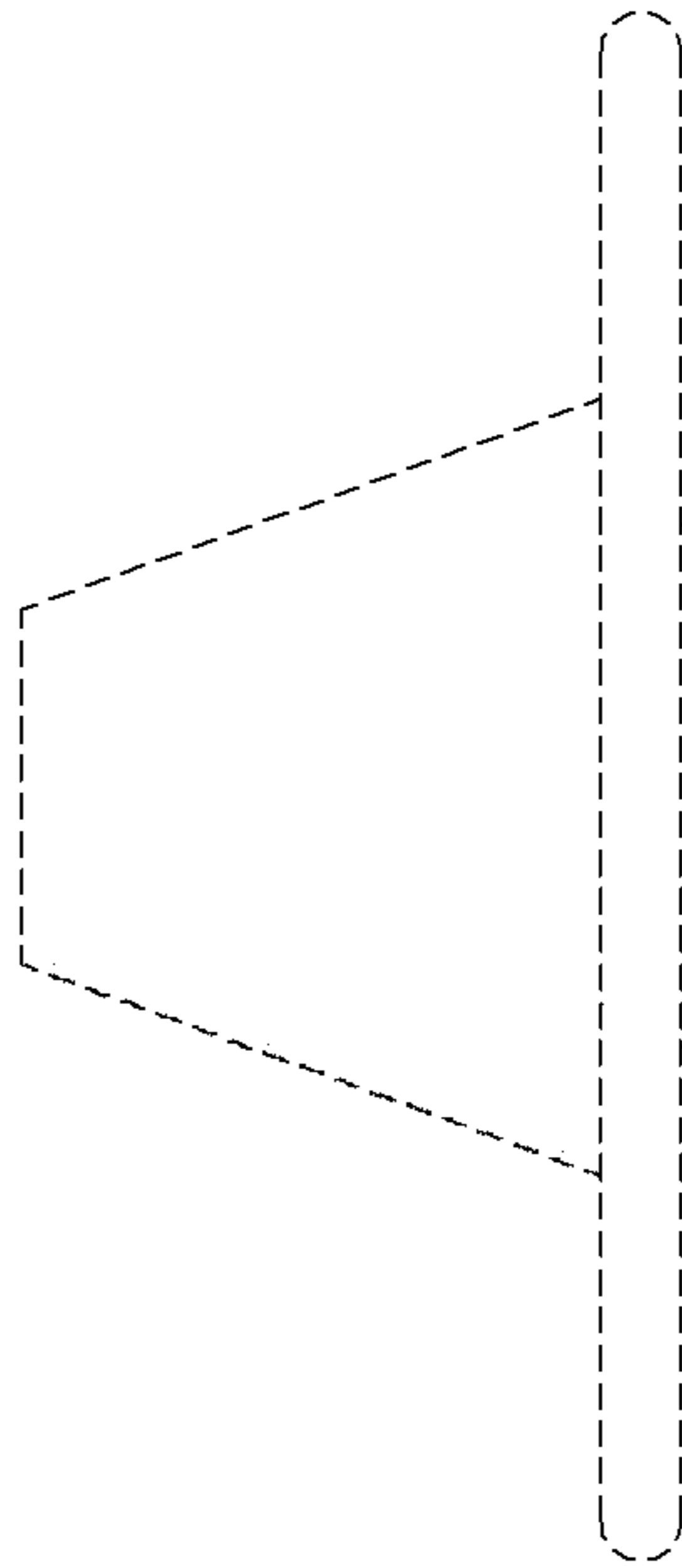


FIG. 5

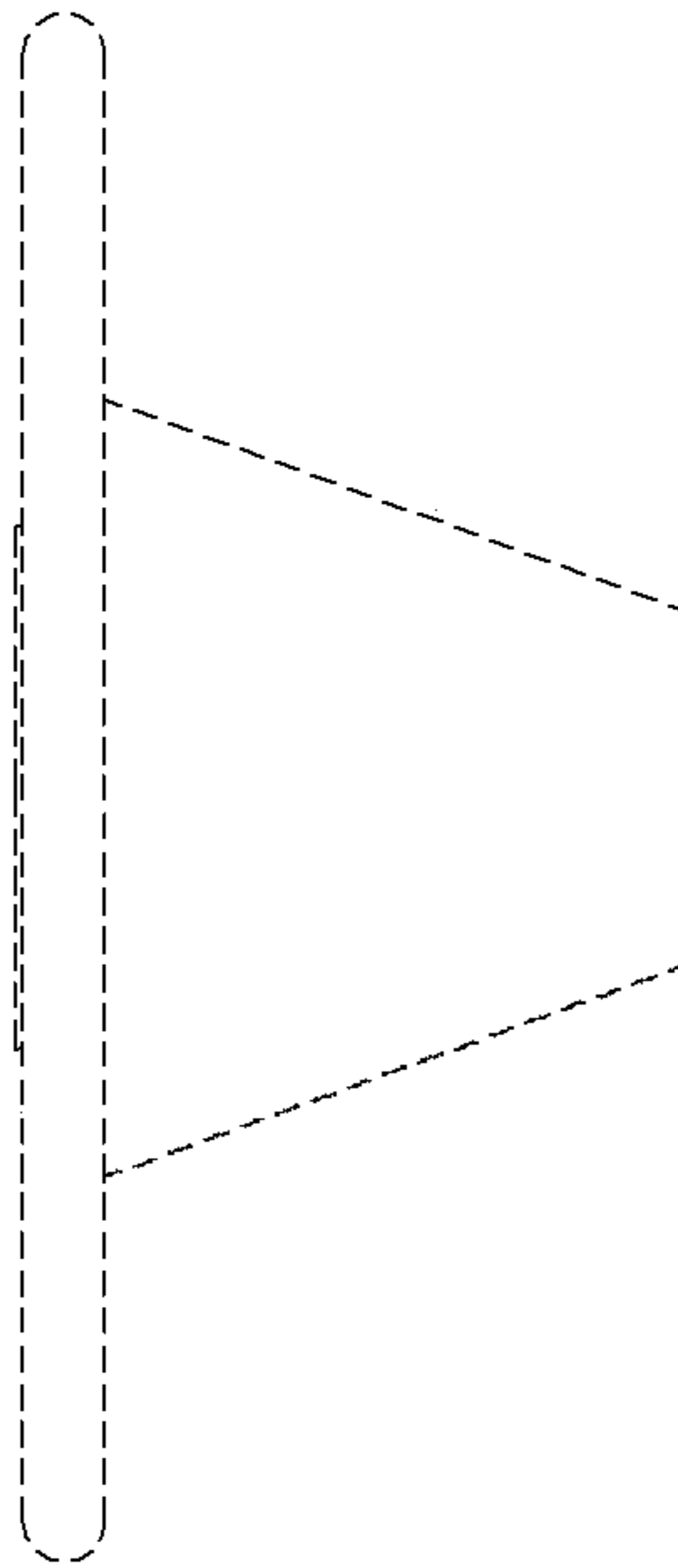


FIG. 6

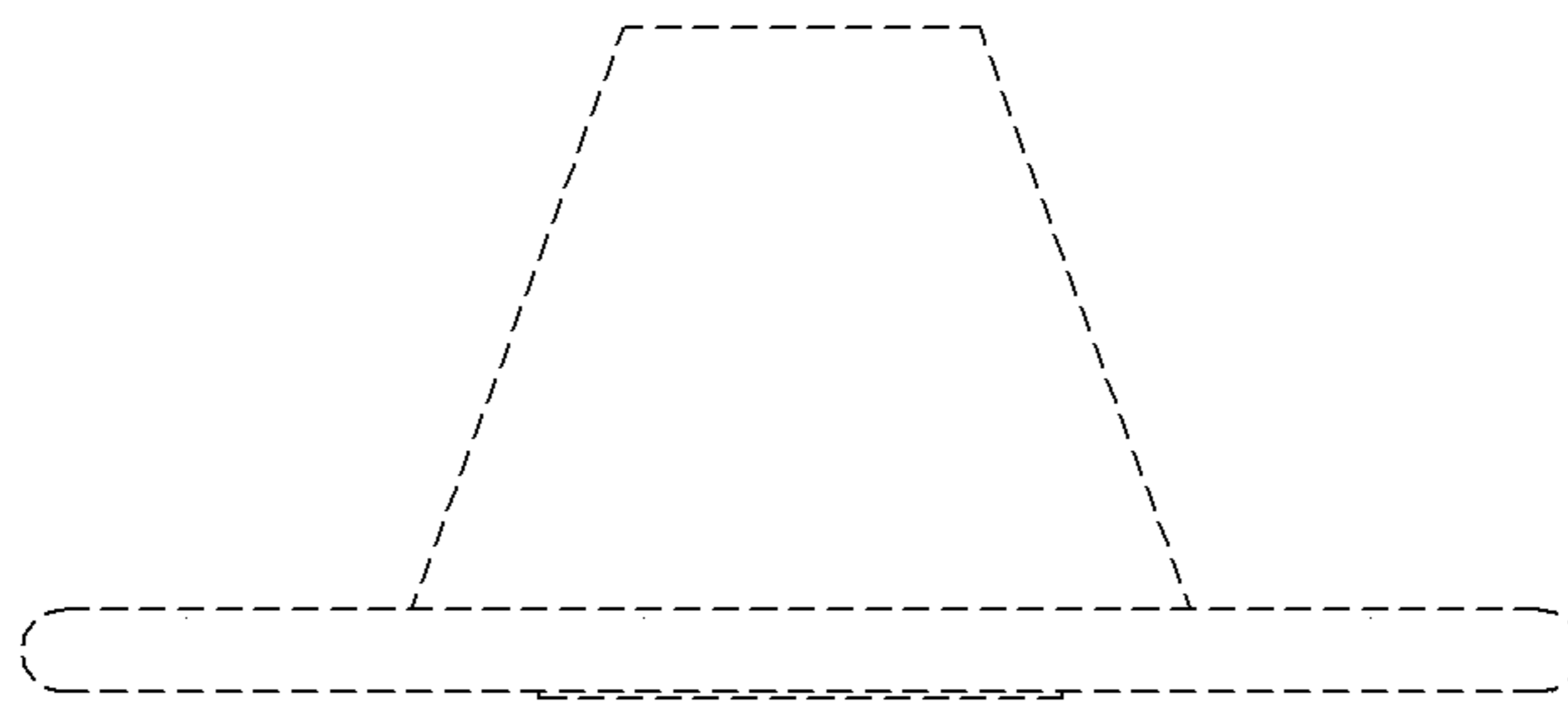


FIG. 7

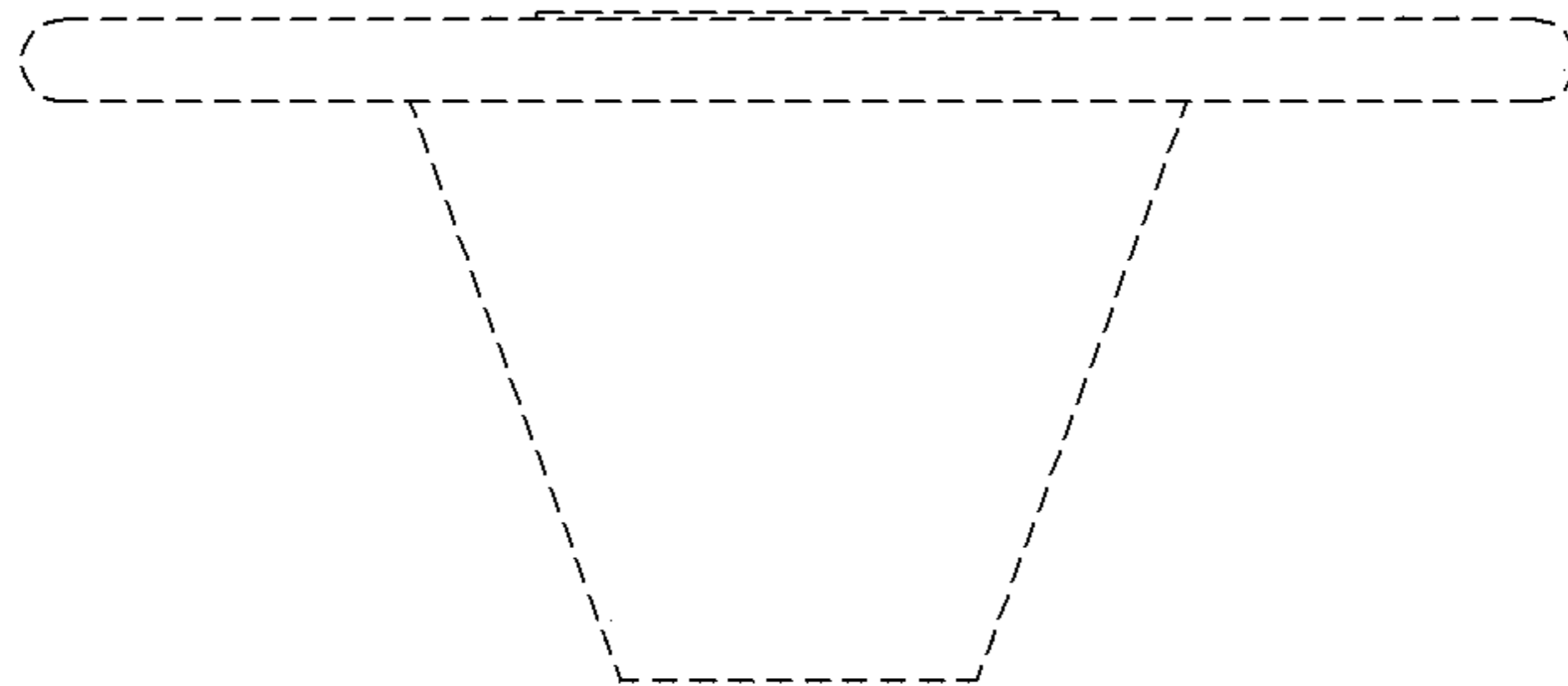


FIG. 8

