



US00D801237S

(12) **United States Design Patent**
Jang

(10) **Patent No.:** **US D801,237 S**

(45) **Date of Patent:** **** Oct. 31, 2017**

(54) **REAR BUMPER OF CAR**

(71) Applicant: **GM GLOBAL TECHNOLOGY OPERATIONS LLC**, Detroit, MI (US)

(72) Inventor: **Donghyun Jang**, Seoul (KR)

(73) Assignee: **GM GLOBAL TECHNOLOGY OPERATIONS LLC**, Detroit, MI (US)

(**) Term: **15 Years**

(21) Appl. No.: **29/572,488**

(22) Filed: **Jul. 28, 2016**

(30) **Foreign Application Priority Data**

Feb. 12, 2016 (KR) 30-2016-0006605

(51) **LOC (10) Cl.** **12-16**

(52) **U.S. Cl.**
USPC **D12/169**

(58) **Field of Classification Search**

USPC D12/169, 216, 90-92, 86, 171, 196, 163;
293/102, 113, 115, 117, 120; 296/180.1,
296/180.2

CPC B60R 19/02; B60R 19/04; B62D 25/08
See application file for complete search history.

(56) **References Cited**

U.S. PATENT DOCUMENTS

D677,202 S * 3/2013 Hamilton D12/169
D734,222 S * 7/2015 Duff D12/169

D738,271 S * 9/2015 Glover D12/169
D743,855 S * 11/2015 Miyazawa D12/169
D744,913 S * 12/2015 Leclercq D12/169
D746,738 S * 1/2016 Wolff D12/169
D749,475 S * 2/2016 Battams D12/169
D750,539 S * 3/2016 Iwauchi D12/169
D753,564 S * 4/2016 Frascella D12/169
D762,532 S * 8/2016 Tsutamori D12/169
D764,986 S * 8/2016 Faghihzadeh D12/169
D765,567 S * 9/2016 De Bono D12/169
D784,868 S * 4/2017 Yamamoto D12/169

* cited by examiner

Primary Examiner — Melody N Brown

(74) *Attorney, Agent, or Firm* — Bowdy and Neimark, PLLC

(57) **CLAIM**

The ornamental design for a rear bumper of car, as shown and described.

DESCRIPTION

FIG. 1 is a perspective view of a rear bumper of car showing my new design;

FIG. 2 is a front elevation view thereof;

FIG. 3 is a rear elevation view thereof;

FIG. 4 is a left side elevation view thereof;

FIG. 5 is a right side elevation view thereof;

FIG. 6 is a top plan view thereof; and,

FIG. 7 is a bottom plan view thereof.

1 Claim, 4 Drawing Sheets

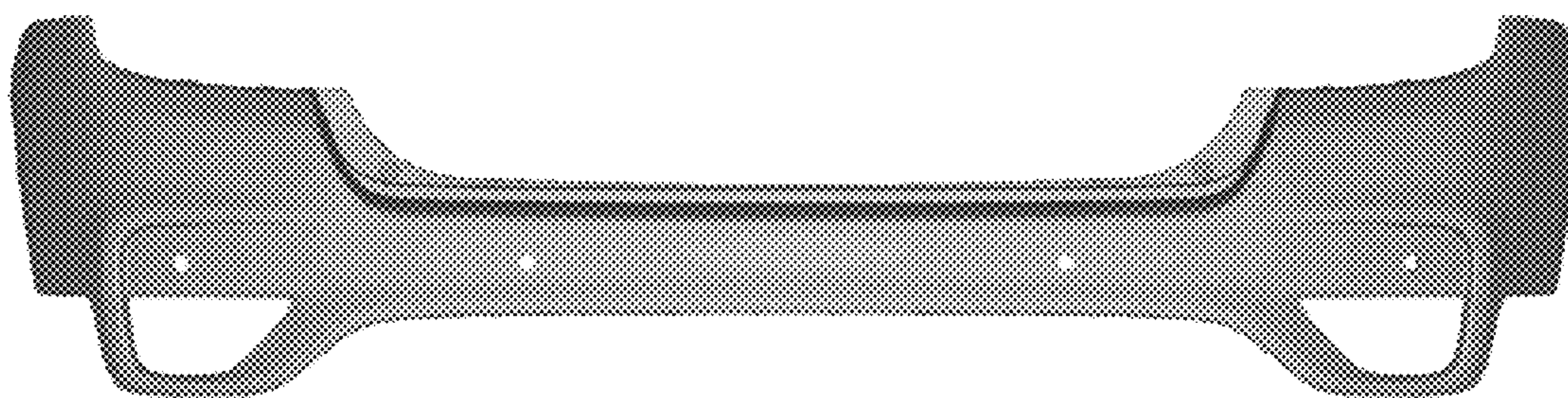


Fig. 1

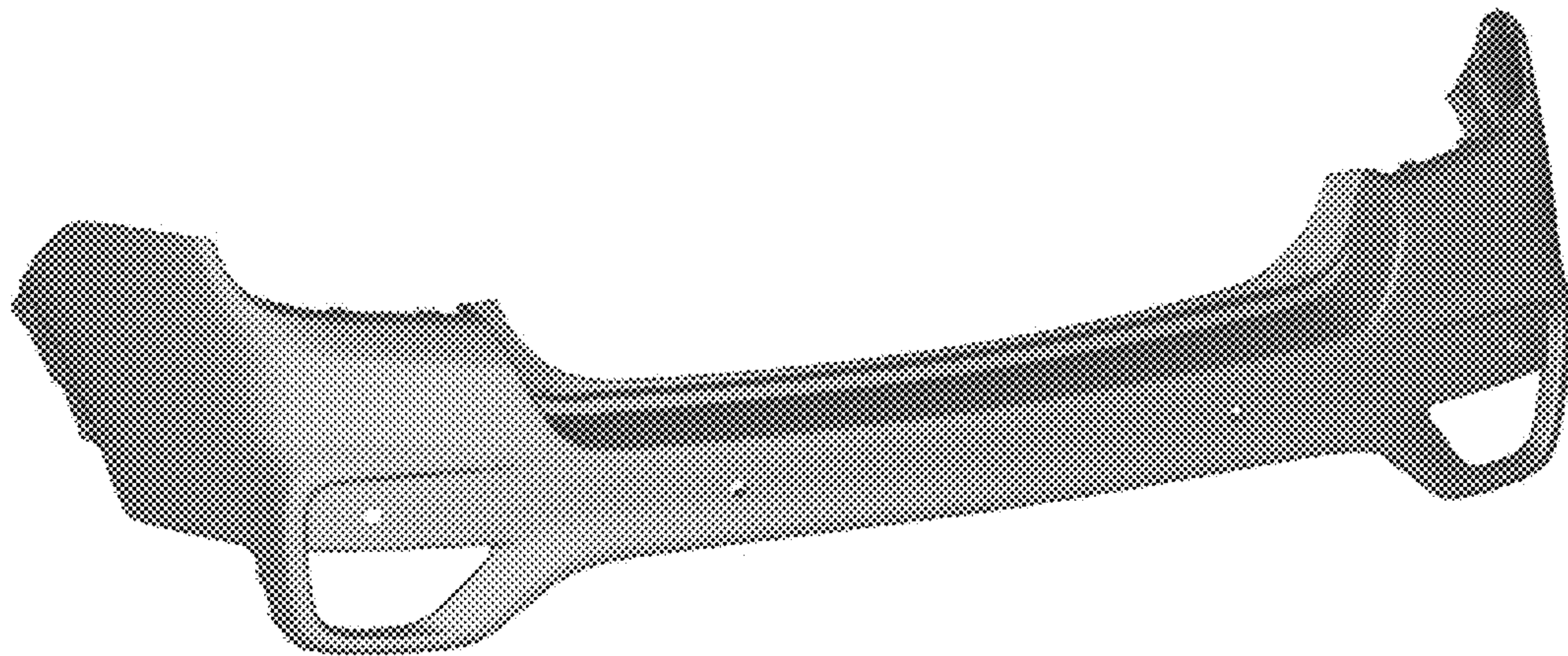


Fig. 2

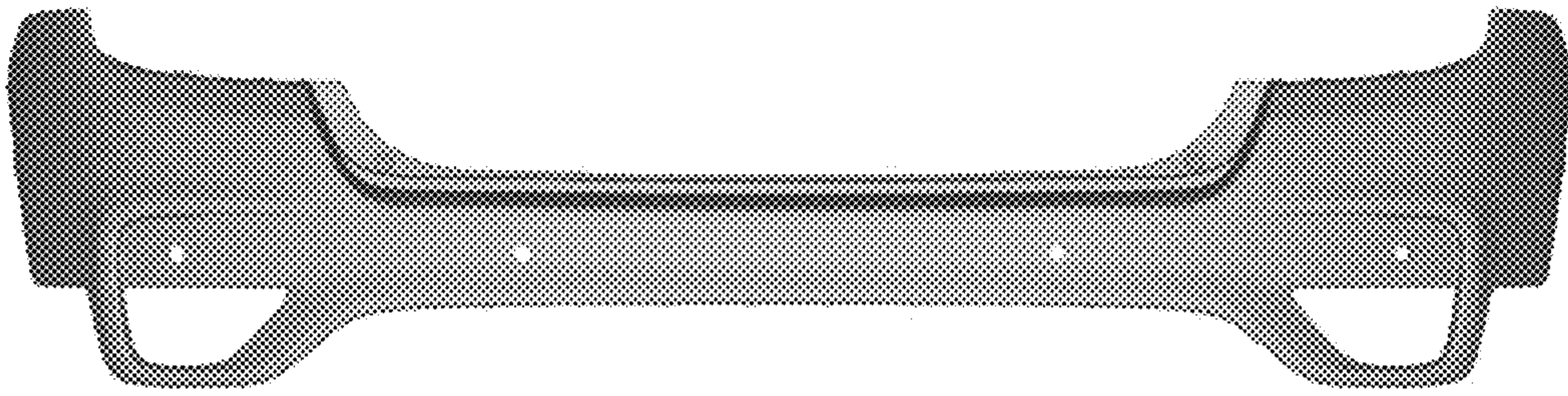


Fig. 3

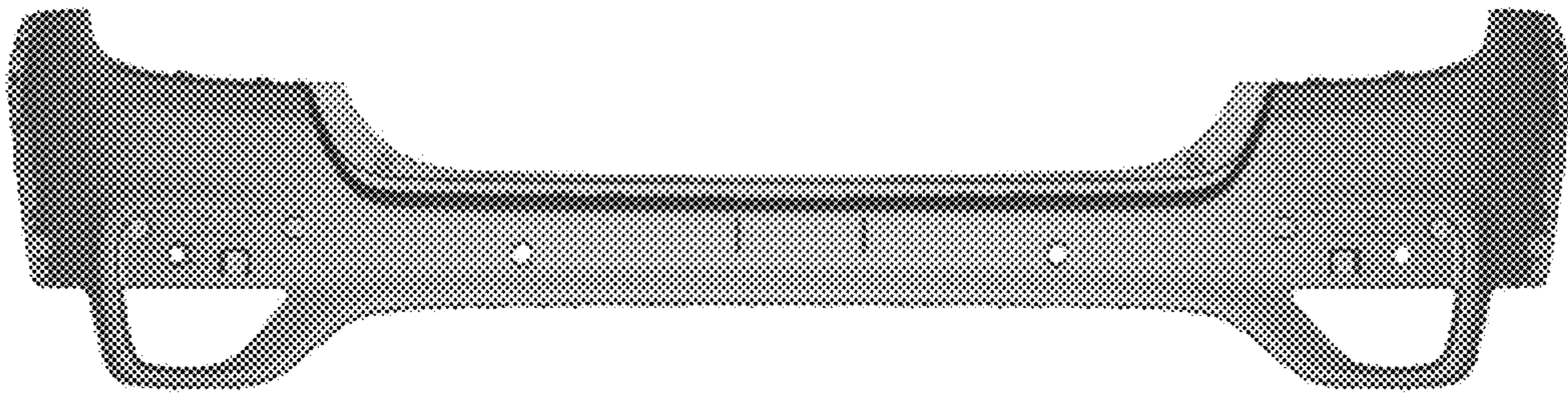


Fig. 4



Fig. 5

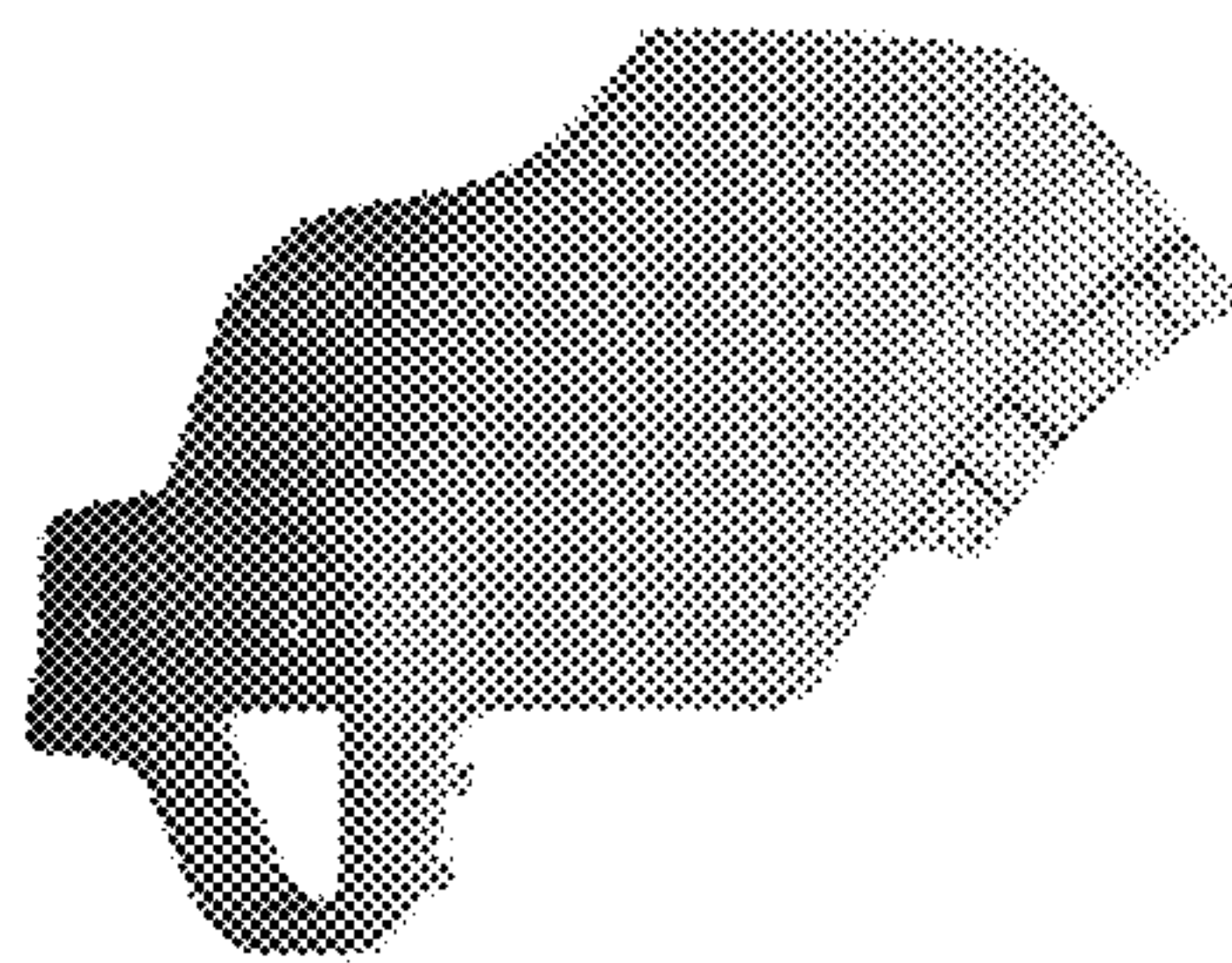


Fig. 6

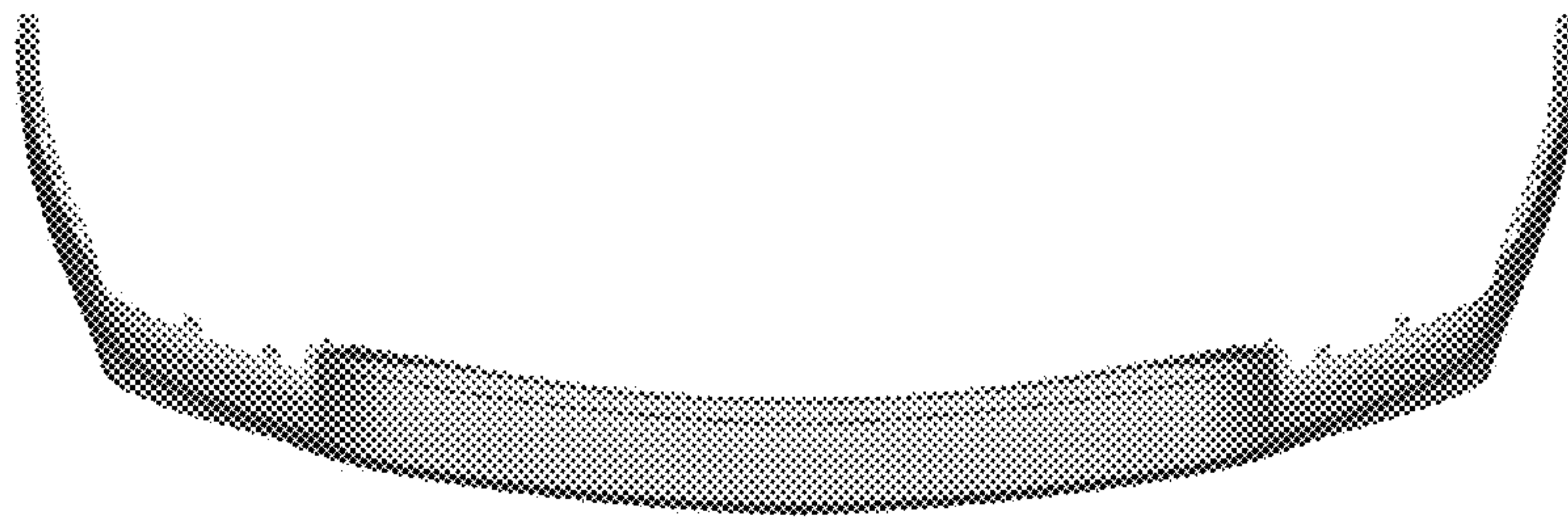


Fig. 7

