



US00D801236S

(12) **United States Design Patent** (10) **Patent No.:** **US D801,236 S**
Kozub et al. (45) **Date of Patent:** **** Oct. 31, 2017**

(54) **VEHICLE REAR FASCIA**
(71) Applicant: **GM GLOBAL TECHNOLOGY OPERATIONS LLC**, Detroit, MI (US)
(72) Inventors: **Timothy P. Kozub**, Troy, MI (US); **Stuart Cooper**, Bloomfield Hills, MI (US); **Jonghyuk Park**, Troy, MI (US)
(73) Assignee: **GM Global Technology Operations LLC**, Detroit, MI (US)
(**) Term: **15 Years**

D608,249 S 1/2010 Peters
D608,690 S 1/2010 Folden et al.
D608,691 S 1/2010 Zak, Jr. et al.
D609,608 S 2/2010 Boniface et al.
D611,387 S 3/2010 Thompson et al.
D611,879 S 3/2010 Kim et al.
D612,297 S 3/2010 Peters et al.
D613,645 S 4/2010 Song et al.
D615,458 S 5/2010 Thompson et al.
D618,595 S 6/2010 Ware et al.
D623,090 S 9/2010 Cox et al.
D627,262 S 11/2010 Ikeda et al.
D635,488 S 4/2011 Phipps
D644,147 S 8/2011 Suh et al.

(Continued)

(21) Appl. No.: **29/543,516**
(22) Filed: **Oct. 26, 2015**
(51) **LOC (10) Cl.** **12-16**
(52) **U.S. Cl.**
USPC **D12/169**; D12/82
(58) **Field of Classification Search**
USPC D12/91, 92, 163, 164, 169, 171;
293/113, 115; 296/35.2
CPC . B60R 19/02; B60R 2019/1886; B60R 19/48;
B60R 19/52; B60R 19/56
See application file for complete search history.

OTHER PUBLICATIONS

Car News, 2016 Chevrolet Cruze RS, Jun. 27, 2015, youtube.com [online], [site visited Aug. 3, 2016]. Available from Internet: <<https://www.youtube.com/watch?v=57XnyMmzg9Y>>.*

Primary Examiner — Karen Kearney
Assistant Examiner — Katherine Holbrow
(74) *Attorney, Agent, or Firm* — Reising Ethington P.C.

(57) **CLAIM**

The ornamental design for a vehicle rear fascia, as shown and described.

(56) **References Cited**

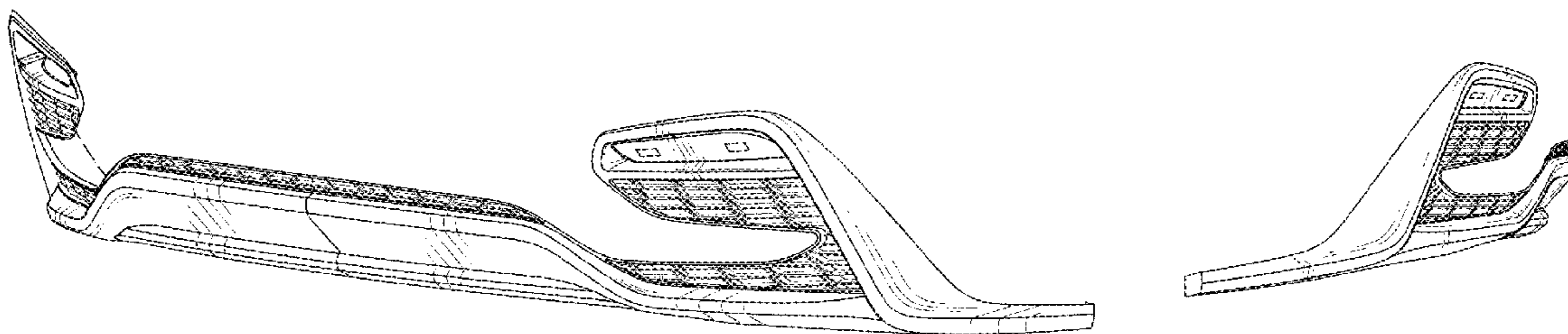
U.S. PATENT DOCUMENTS

D570,742 S 6/2008 Takagi et al.
D592,105 S 5/2009 Dean et al.
D597,447 S 8/2009 Folden
D599,704 S * 9/2009 Frenzel D12/91
D600,595 S 9/2009 Nakamura et al.
D601,925 S 10/2009 O'Donnell
D602,822 S * 10/2009 Irie D12/169
D603,755 S 11/2009 Peters
D604,203 S 11/2009 O'Donnell
D605,082 S 12/2009 Munson
D605,083 S 12/2009 Manoogian, II et al.
D605,977 S 12/2009 Zipfel et al.
D605,978 S 12/2009 Wolff et al.

DESCRIPTION

FIG. 1 is a perspective view of the vehicle rear fascia; FIG. 2 is a top plan view thereof; FIG. 3 is a left side elevation view thereof (where the right side elevation view of the vehicle rear fascia is omitted since the right side elevation view is identical to the left side elevation view); and, FIG. 4 is a front view thereof. The broken lines shown in the drawings depict portions of the vehicle rear fascia that form no part of the claimed design.

1 Claim, 2 Drawing Sheets



(56)

References Cited

U.S. PATENT DOCUMENTS

D644,567 S	9/2011	Kozub	
D657,718 S	4/2012	Zipfel et al.	
D659,052 S	5/2012	Ware et al.	
D659,053 S	5/2012	Ware et al.	
D668,182 S	10/2012	Franco	
D668,183 S	10/2012	Smart	
D678,820 S *	3/2013	Song	D12/91
D678,821 S *	3/2013	Ikeda	D12/91
D680,909 S	4/2013	Munson et al.	
D680,910 S	4/2013	David	
D684,899 S	6/2013	Baker	
D686,118 S *	7/2013	Thurber	D12/169
D686,536 S	7/2013	McCabe et al.	
D692,798 S *	11/2013	Thurber	D12/91
D692,799 S *	11/2013	Smith	D12/92
D696,157 S	12/2013	Loeb	
D699,629 S	2/2014	Ikeda et al.	
D700,871 S	3/2014	O'Donnell et al.	
D703,103 S	4/2014	Lee	
D704,103 S	5/2014	Mack et al.	
D705,132 S	5/2014	Ware et al.	
D705,699 S	5/2014	Ware et al.	
D713,298 S	9/2014	Dyson	
D713,764 S	9/2014	Ferlazzo	
D714,696 S *	10/2014	Yamashita	D12/169
D716,696 S	11/2014	Thole et al.	
D716,706 S	11/2014	Thole et al.	
D716,709 S	11/2014	Thole et al.	
D717,696 S	11/2014	Thole et al.	
D718,189 S	11/2014	Krieg et al.	
D718,683 S	12/2014	Thole et al.	
D722,282 S	2/2015	Loeb	
D722,533 S	2/2015	Thole et al.	
D722,534 S	2/2015	Munson et al.	
D724,510 S	3/2015	McMahan et al.	
D725,001 S	3/2015	McMahan et al.	
D726,591 S *	4/2015	Jacob	D12/91
D730,776 S	6/2015	Smart	
D730,783 S	6/2015	Henriques et al.	
D732,427 S	6/2015	Loeb	
D732,429 S	6/2015	Loeb	
D732,430 S	6/2015	Loeb	
D732,431 S	6/2015	Loeb	
D732,432 S	6/2015	Aengenheyster	
D732,433 S	6/2015	Aengenheyster	
D732,435 S	6/2015	Mackay	
D733,002 S	6/2015	Loeb	
D735,611 S	8/2015	Aengenheyster	
D735,627 S	8/2015	Smith	
D736,451 S	8/2015	Smith	
D739,306 S	9/2015	McMahan et al.	
D739,317 S	9/2015	McMahan et al.	
D741,223 S	10/2015	Kim et al.	
D748,541 S *	2/2016	Jamieson	D12/169
D753,034 S *	4/2016	Thole	D12/169
D760,631 S *	7/2016	Choi	D12/169
D784,216 S *	4/2017	Fuchino	D12/169
D786,746 S *	5/2017	Wheel	D12/169

* cited by examiner

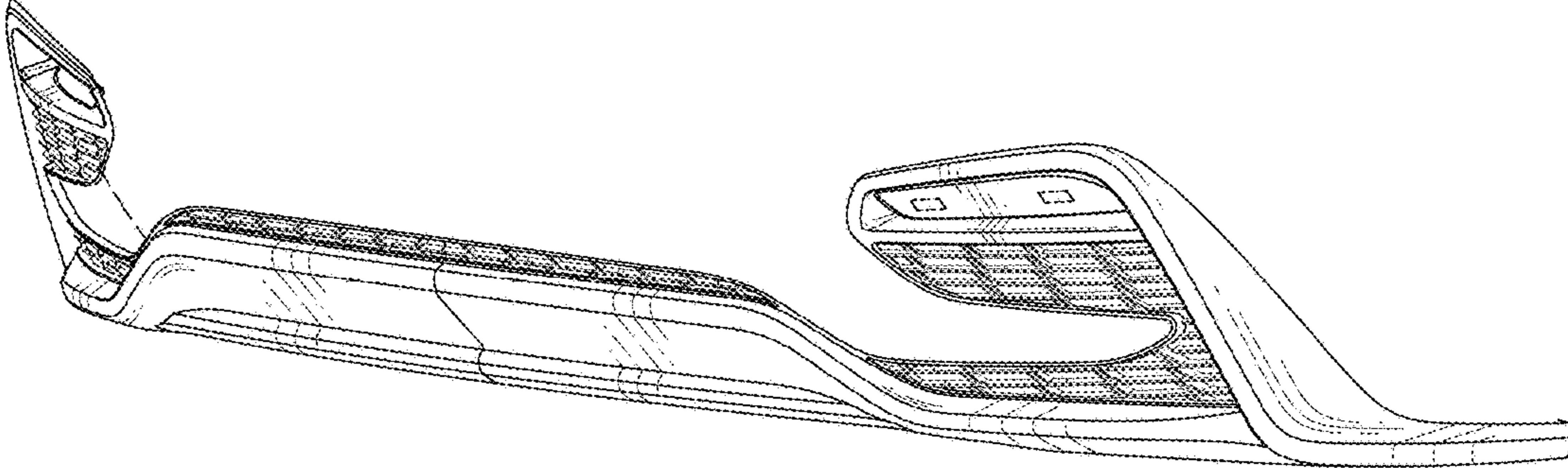


Fig. 1

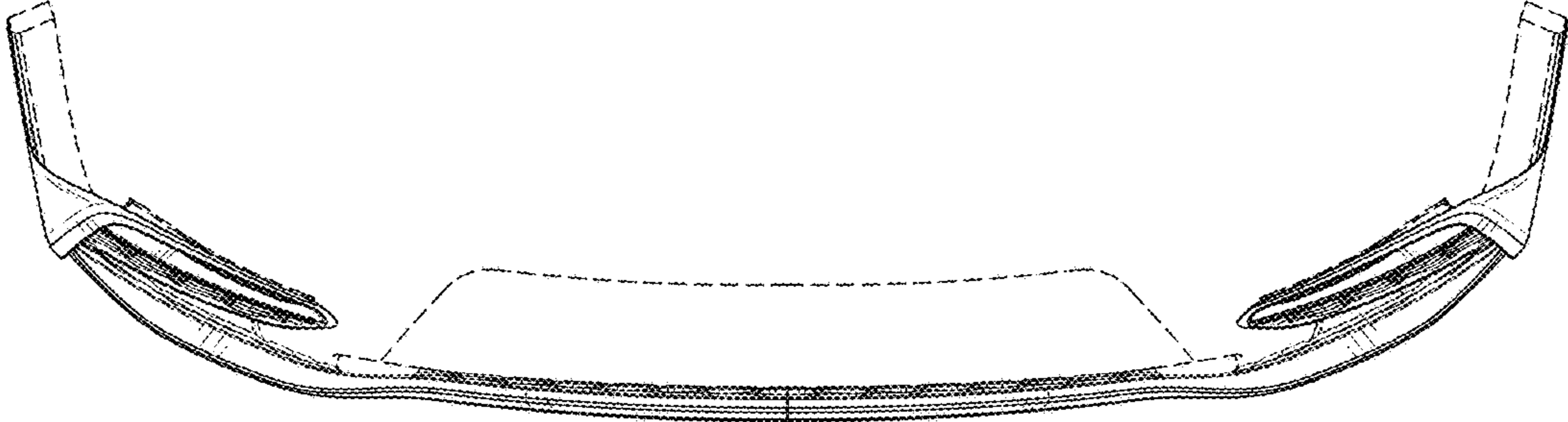


Fig. 2

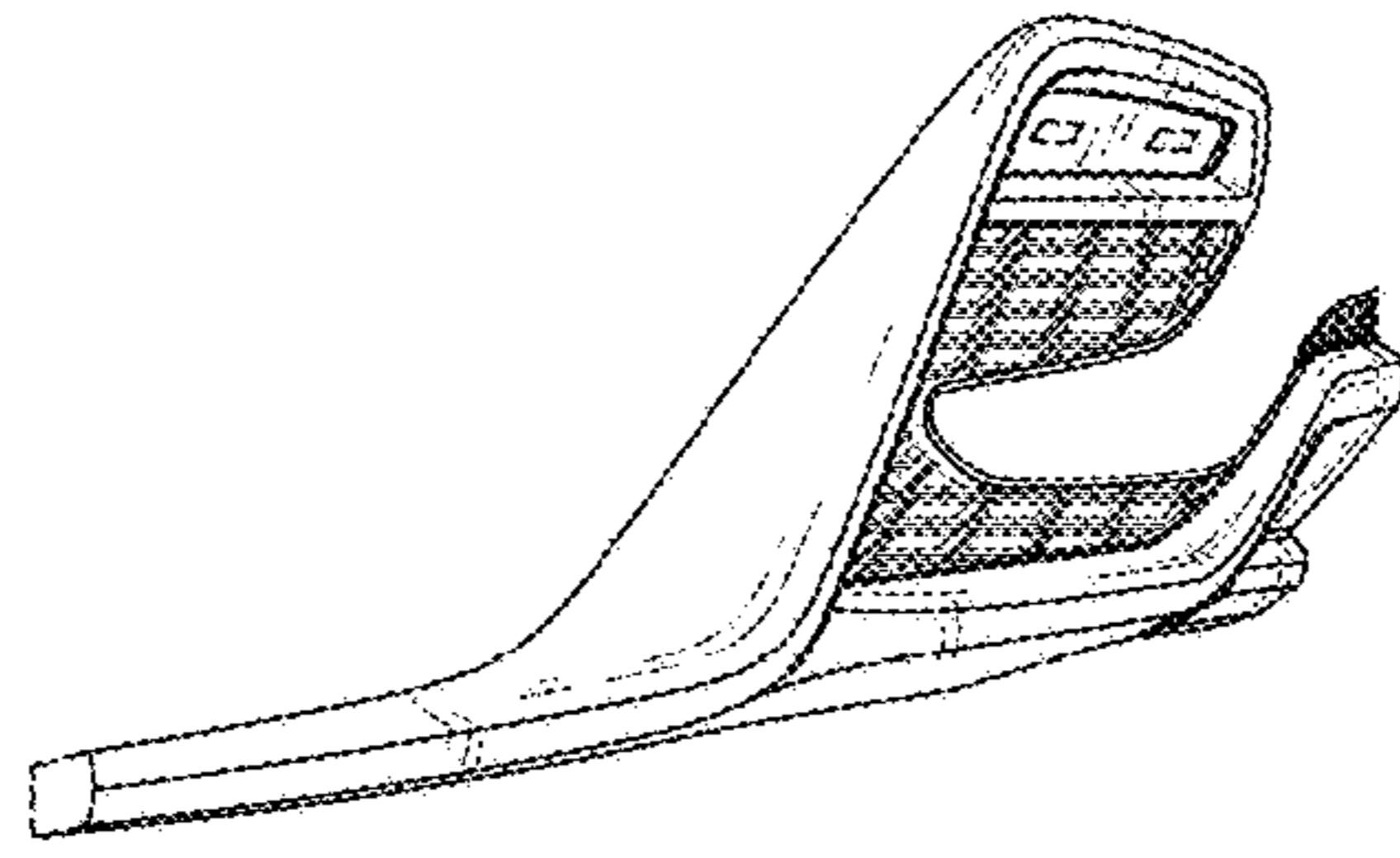


Fig. 3

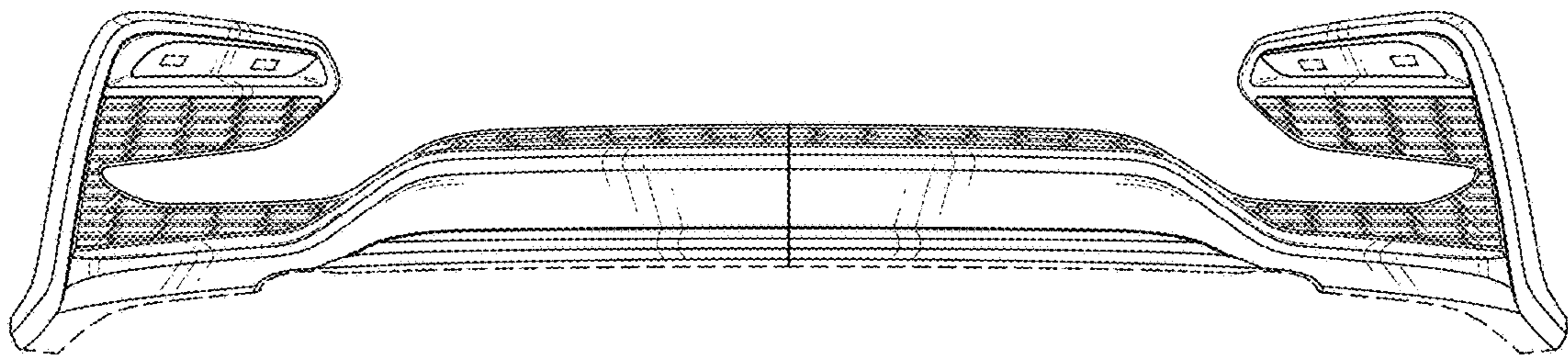


Fig. 4