



US00D801233S

(12) **United States Design Patent**  
**Mulhern et al.**

(10) **Patent No.:** **US D801,233 S**  
(45) **Date of Patent:** **\*\* Oct. 31, 2017**

- (54) **ELEVATED WHEELCHAIR**
- (71) Applicant: **Pride Mobility Products Corporation**,  
Exeter, PA (US)
- (72) Inventors: **James Mulhern**, Nanticoke, PA (US);  
**Stephen J. Antonishak**, Nanticoke, PA  
(US); **Christopher Johnston**, Exeter,  
PA (US)
- (73) Assignee: **PRIDE MOBILITY PRODUCTS**  
**CORPORATION**, Exeter, PA (US)

D652,357 S \* 1/2012 Jurkiewicz ..... D12/128  
 D720,660 S \* 1/2015 Siao ..... D12/131  
 D720,661 S \* 1/2015 Siao ..... D12/131

\* cited by examiner

*Primary Examiner* — Charles Hanson  
 (74) *Attorney, Agent, or Firm* — Morgan, Lewis &  
 Bockius LLP

(57) **CLAIM**

The ornamental design for an elevated wheelchair, as shown and described.

**DESCRIPTION**

- (\*\*) Term: **15 Years**
- (21) Appl. No.: **29/556,156**
- (22) Filed: **Feb. 27, 2016**
- (51) **LOC (10) Cl.** ..... **12-12**
- (52) **U.S. Cl.**  
USPC ..... **D12/133**
- (58) **Field of Classification Search**  
USPC ..... D12/128–133  
CPC ..... A61G 5/04; A61G 5/041–5/047; A61G  
2005/048  
See application file for complete search history.

FIG. 1 is a front, top, left perspective view of an elevated wheelchair showing our new design and in the raised position;  
 FIG. 2 is a rear, top, right perspective view of the elevated wheelchair shown in FIG. 1;  
 FIG. 3 a front elevational view of the elevated wheelchair shown in FIG. 1;  
 FIG. 4 is a rear elevational view of the elevated wheelchair shown in FIG. 1;  
 FIG. 5 is a right-side elevational view of the elevated wheelchair shown in FIG. 1;  
 FIG. 6 is a left-side elevational view of the elevated wheelchair shown in FIG. 1;  
 FIG. 7 is a top plan view of the elevated wheelchair shown in FIG. 1; and,  
 FIG. 8 is a bottom plan view of the elevated wheelchair shown in FIG. 1.

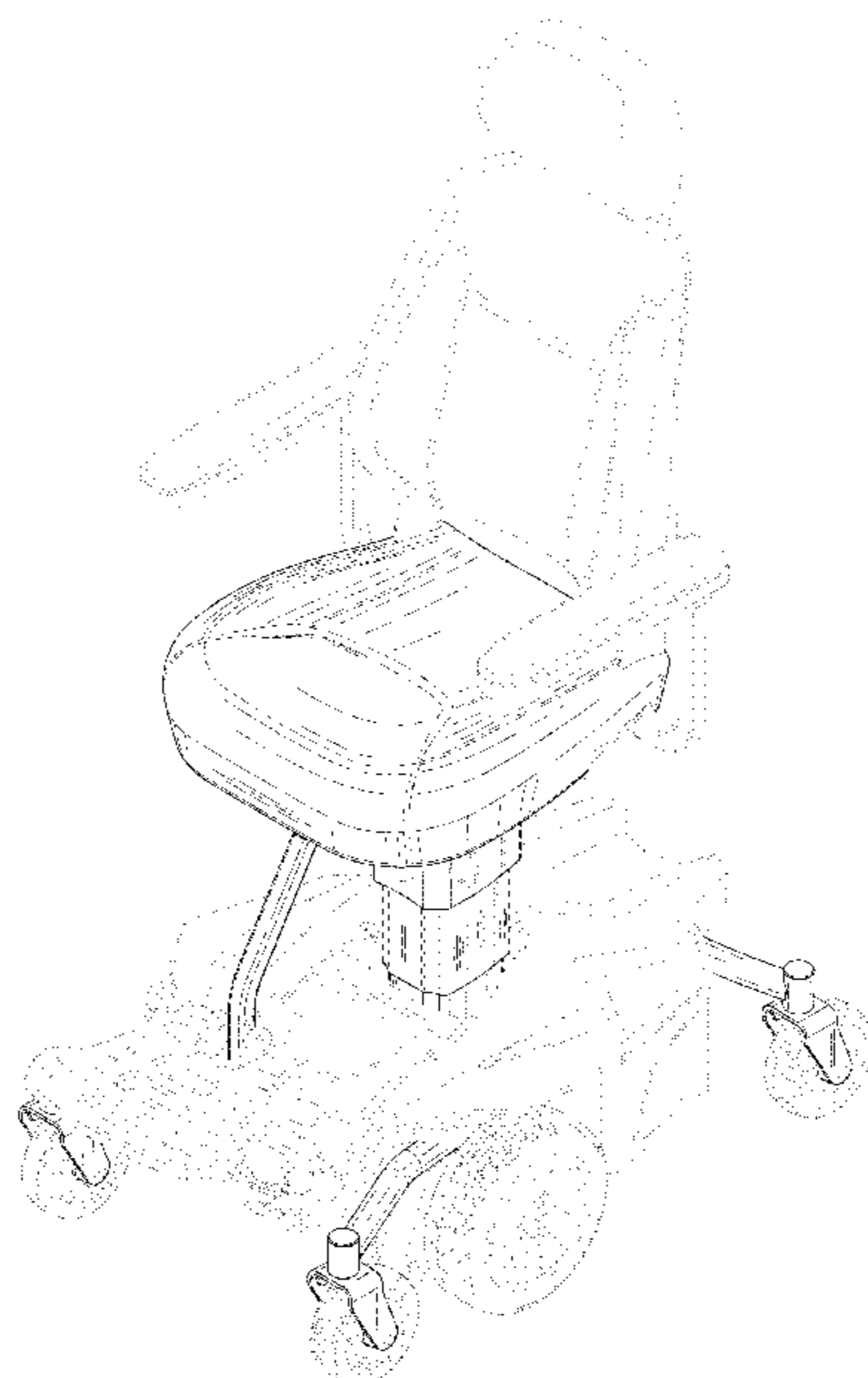
The dash-dot-dash broken lines represent an optional stitching pattern and the broken lines immediately adjacent the shaded areas without adjacent shading on both sides of the broken line represent the bounds of the claimed design. All other broken lines are directed to environment and are for illustrative purposes only; the broken lines form no part of the claimed design.

(56) **References Cited**

**U.S. PATENT DOCUMENTS**

D462,639 S *	9/2002	Lin	.....	D12/131
D479,496 S *	9/2003	Tsai	.....	D12/128
D488,409 S *	4/2004	Tsai	.....	D12/128
D489,653 S *	5/2004	Tsai	.....	D12/131
D494,110 S *	8/2004	Cheng	.....	D12/131
D494,510 S *	8/2004	Tsai	.....	D12/128
D511,720 S *	11/2005	Chen	.....	D12/128
D517,456 S *	3/2006	Wu	.....	D12/131
D523,788 S *	6/2006	Jones	.....	D12/131
D611,392 S *	3/2010	Carlton	.....	D12/128

**1 Claim, 8 Drawing Sheets**



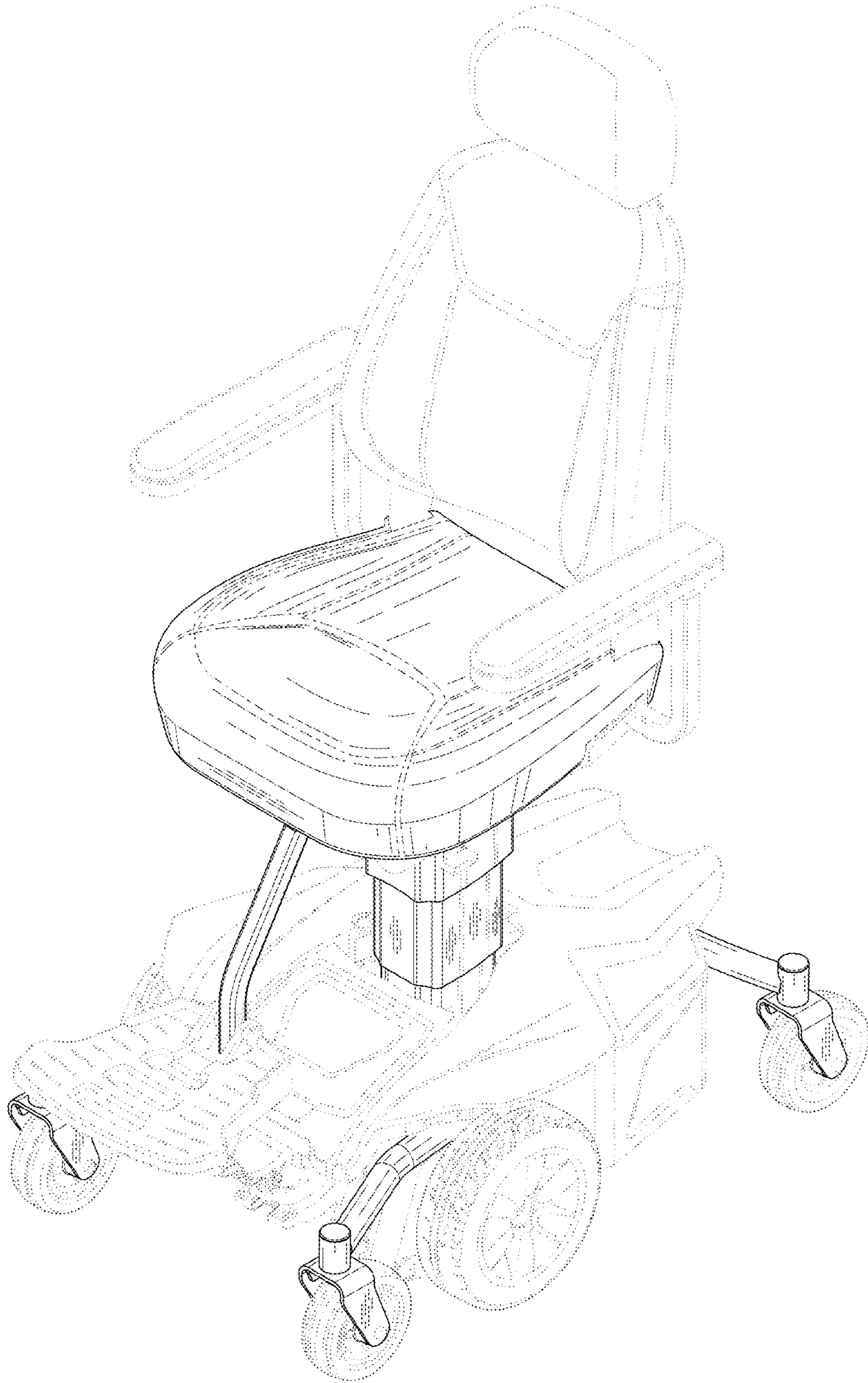


FIG. 1

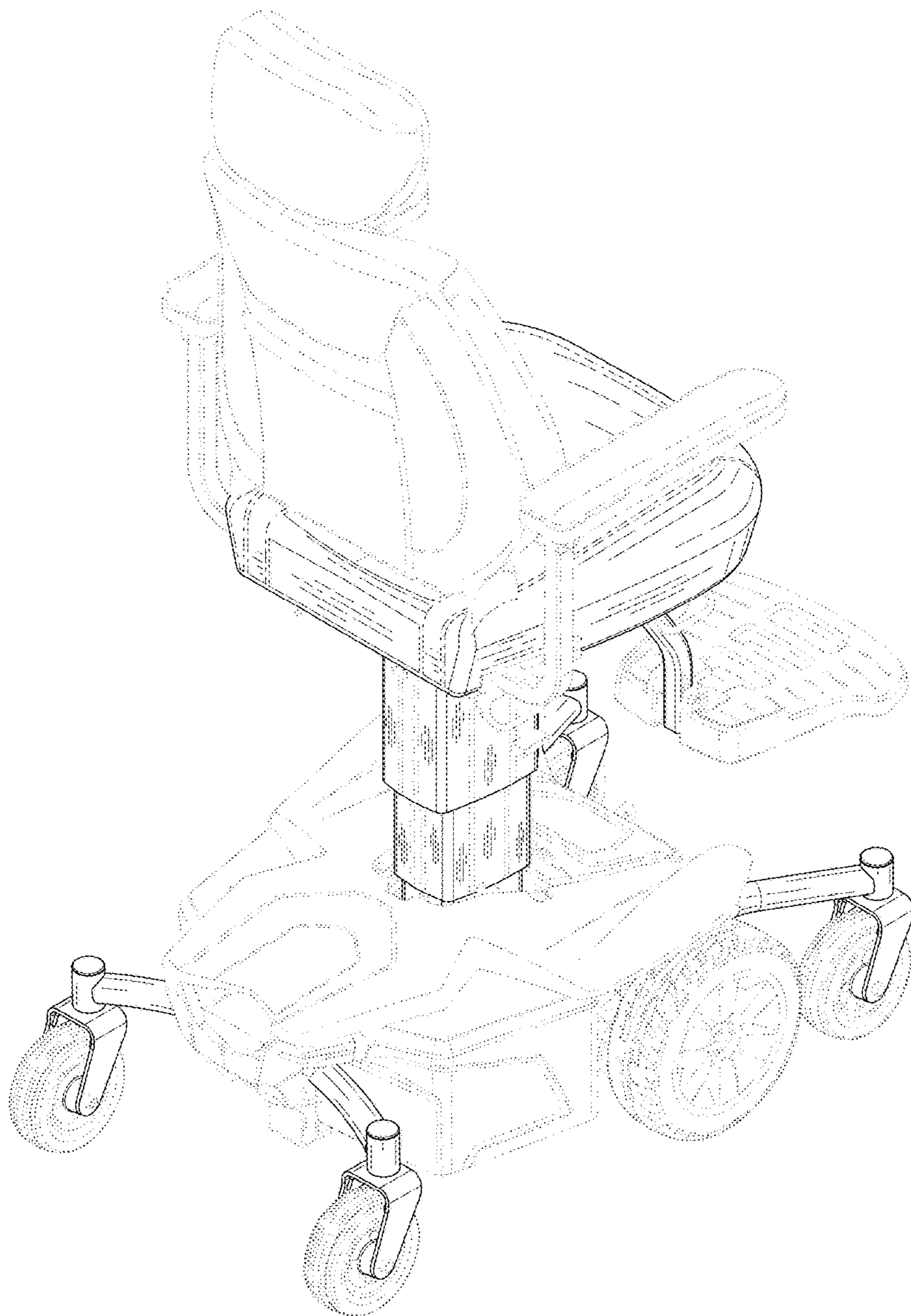


FIG. 2



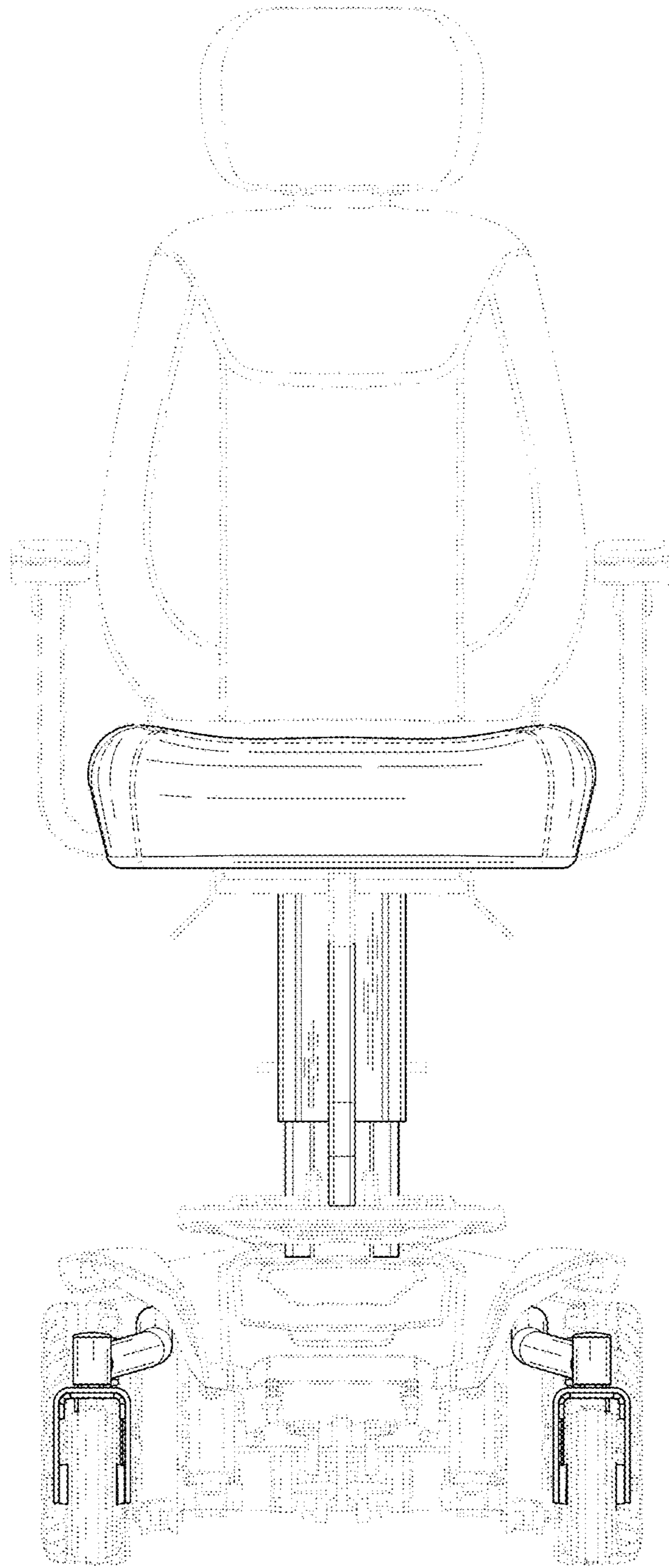


FIG. 3

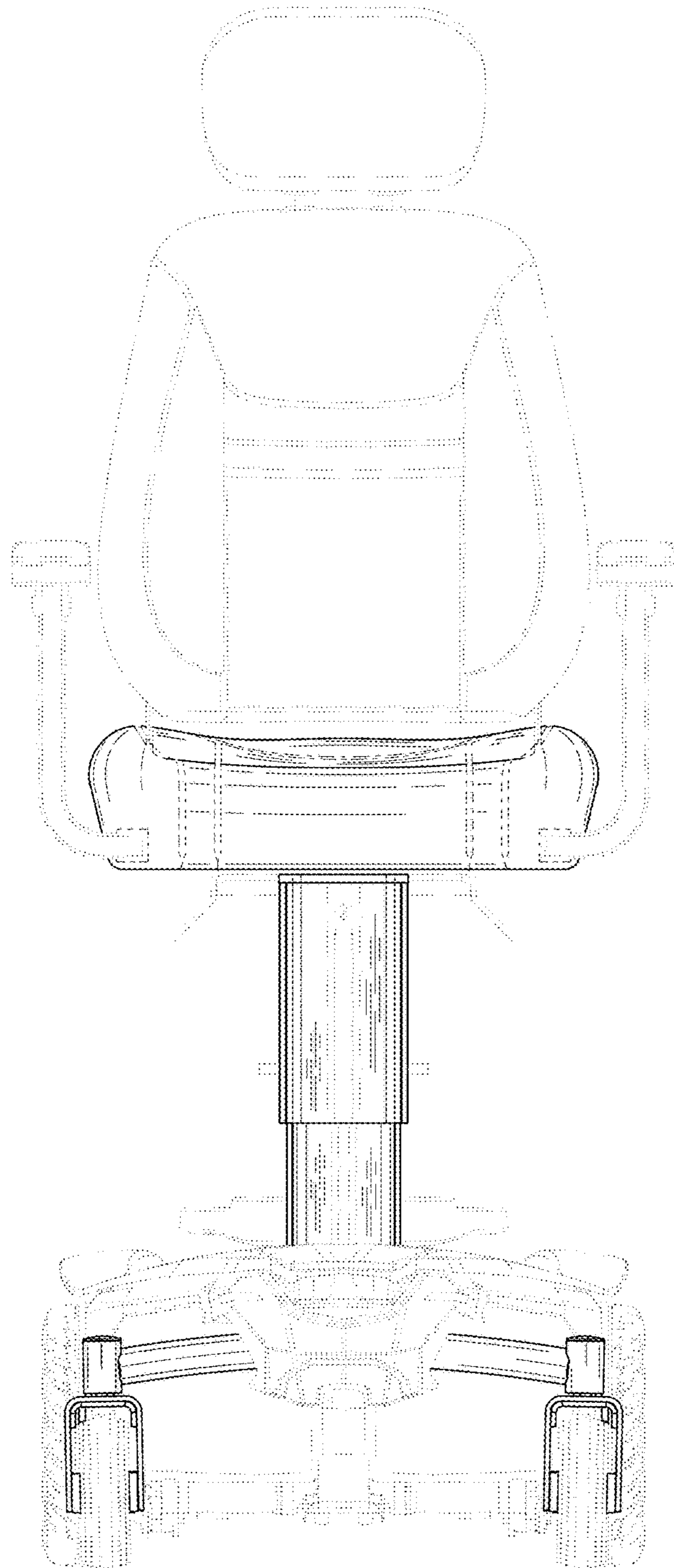


FIG. 4

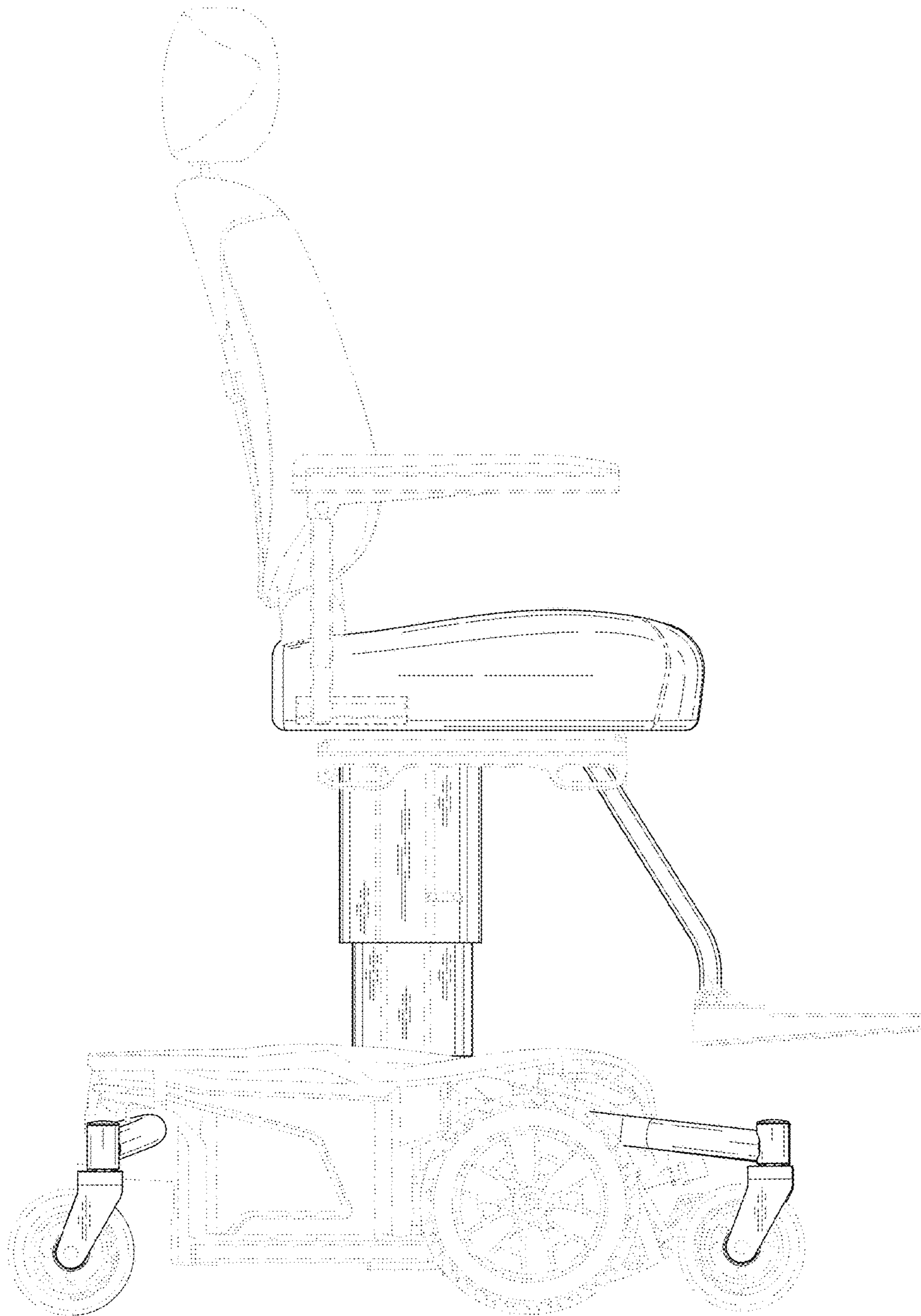


FIG. 5

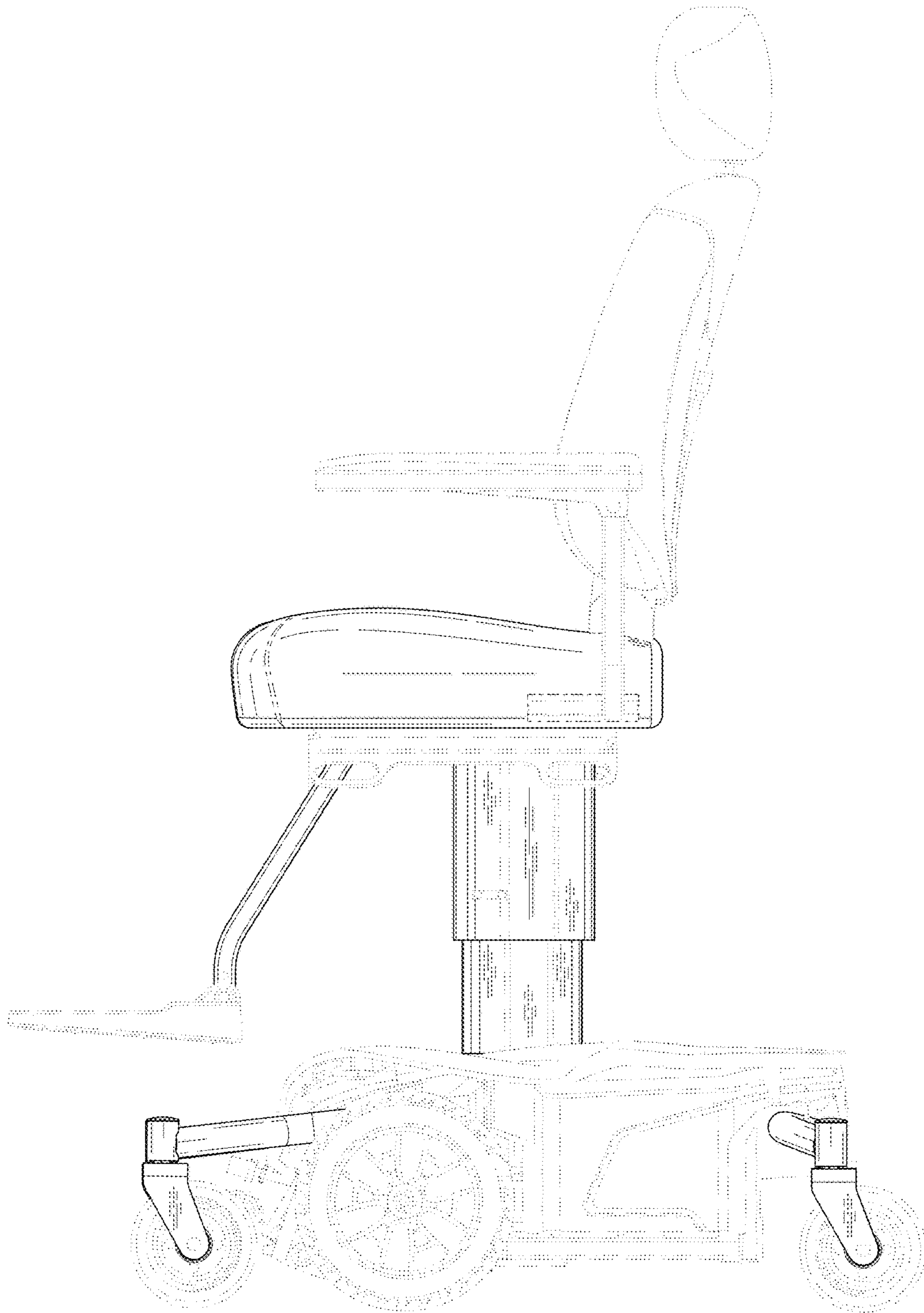


FIG. 6

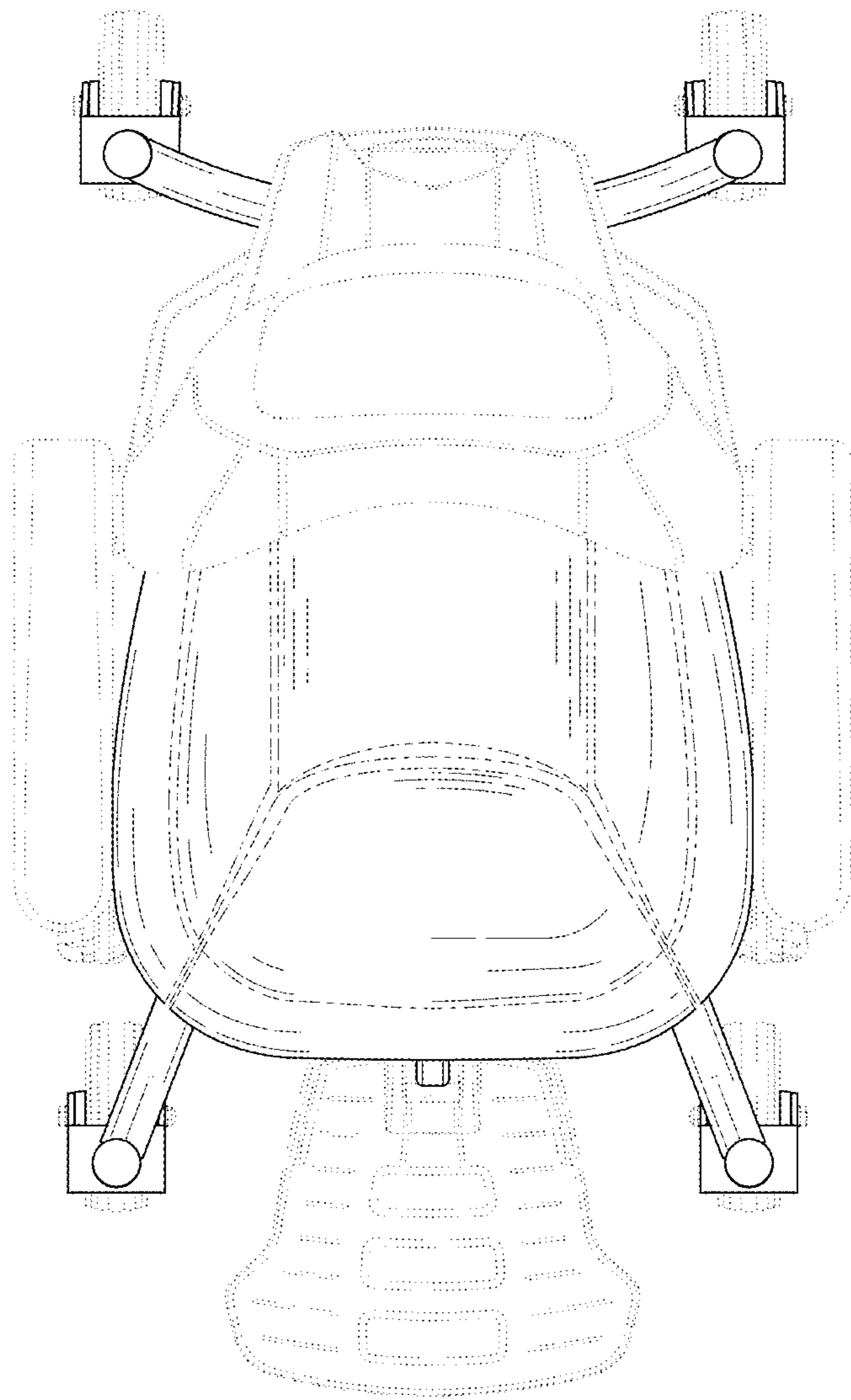


FIG. 7



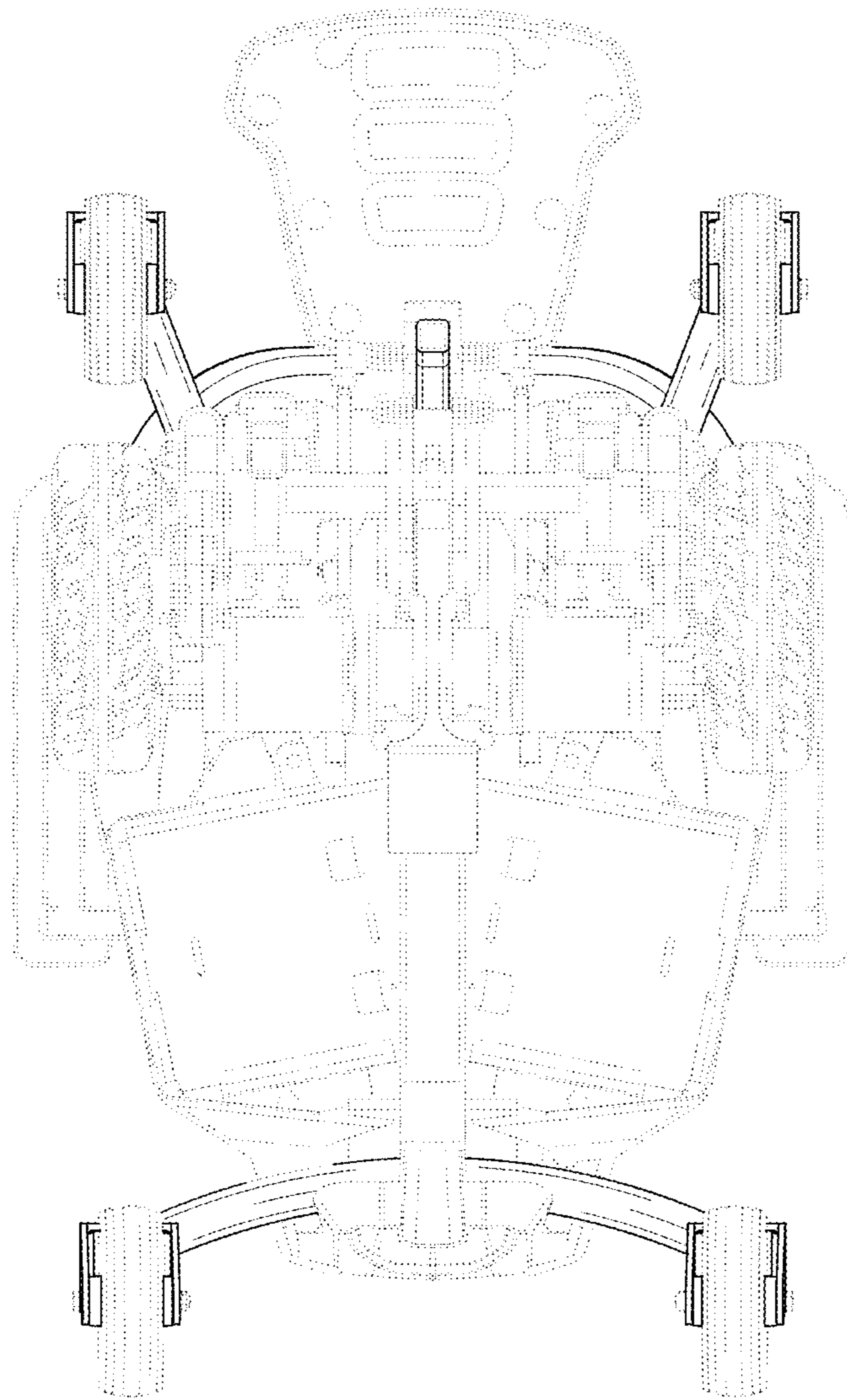


FIG. 8